

(19) World Intellectual Property Organization
International Bureau



(43) International Publication Date
18 October 2007 (18.10.2007)

PCT

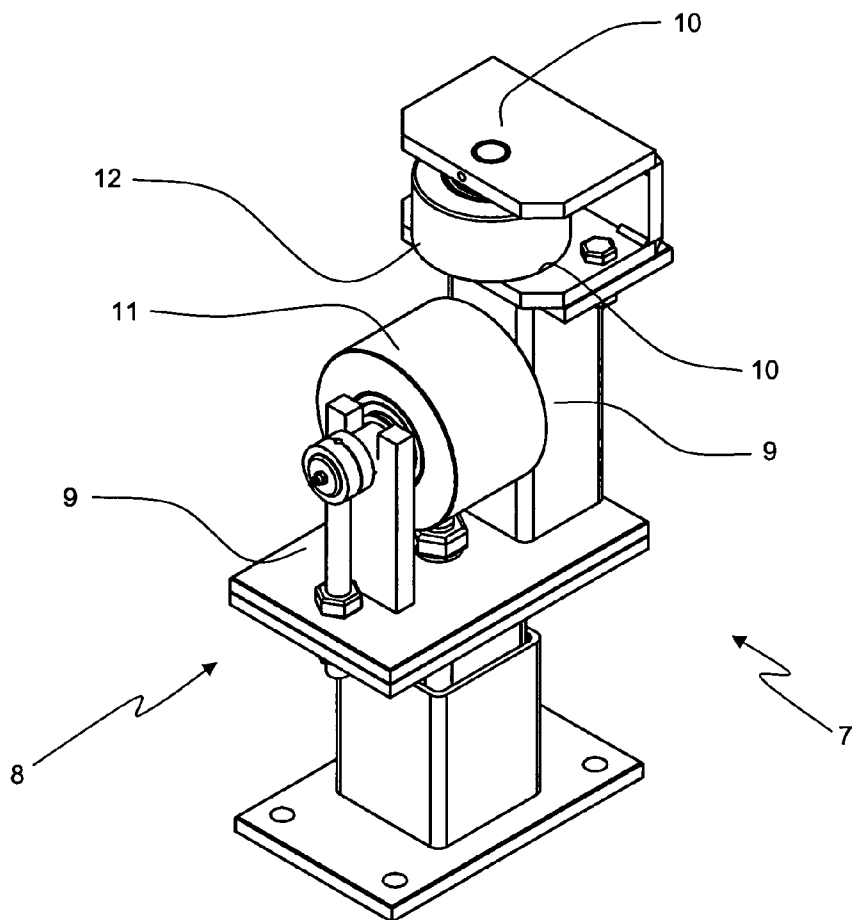
(10) International Publication Number
WO 2007/117162 A3

- (51) International Patent Classification:
A01K 1/12 (2006.01)
- (21) International Application Number:
PCT/NZ2007/000079
- (22) International Filing Date: 12 April 2007 (12.04.2007)
- (25) Filing Language: English
- (26) Publication Language: English
- (30) Priority Data:
546565 12 April 2006 (12.04.2006) NZ
- (71) Applicant (for all designated States except US):
DELAVAL HOLDING AB [SE/SE]; Hamragardsvagen,
Box 39, S-147 21 Tumba (SE).
- (72) Inventor; and
- (75) Inventor/Applicant (for US only): CHAPMAN, John
[NZ/NZ]; 42 Egmont Street, New Plymouth (NZ).
- (74) Agents: WILSON, Kathryn, S. et al.; James & Wells, PO
Box 2201, Christchurch 8140 (NZ).

- (81) Designated States (unless otherwise indicated, for every kind of national protection available): AE, AG, AL, AM, AT, AU, AZ, BA, BB, BG, BH, BR, BW, BY, BZ, CA, CH, CN, CO, CR, CU, CZ, DE, DK, DM, DZ, EC, EE, EG, ES, FI, GB, GD, GE, GH, GM, GT, HN, HR, HU, ID, IL, IN, IS, JP, KE, KG, KM, KN, KP, KR, KZ, LA, LC, LK, LR, LS, LT, LU, LY, MA, MD, MG, MK, MN, MW, MX, MY, MZ, NA, NG, NI, NO, NZ, OM, PG, PH, PL, PT, RO, RS, RU, SC, SD, SE, SG, SK, SL, SM, SV, SY, TJ, TM, TN, TR, TT, TZ, UA, UG, US, UZ, VC, VN, ZA, ZM, ZW.
 - (84) Designated States (unless otherwise indicated, for every kind of regional protection available): ARIPO (BW, GH, GM, KE, LS, MW, MZ, NA, SD, SL, SZ, TZ, UG, ZM, ZW), Eurasian (AM, AZ, BY, KG, KZ, MD, RU, TJ, TM), European (AT, BE, BG, CH, CY, CZ, DE, DK, EE, ES, FI, FR, GB, GR, HU, IE, IS, IT, LT, LU, LV, MC, MT, NL, PL, PT, RO, SE, SI, SK, TR), OAPI (BF, BJ, CF, CG, CI, CM, GA, GN, GQ, GW, ML, MR, NE, SN, TD, TG).
- Published:
— with international search report

[Continued on next page]

(54) Title: ROTARY PLATFORM SUPPORT AND ALIGNMENT MECHANISM



(57) Abstract: A support system for a rotary platform (1) provided with an annular support track (19) attached to a lower surface and/or peripheral edge of the platform, said support system including a plurality of support stations (7) spatially disposed below the platform to engage with the support track (20), said support stations (7) including: individual primary support stations provided with at least one support roller (11) rotatable about a substantially horizontal axis to engage in use with a lower surface of the support track to enable horizontal rotation of the platform (1) and bear the platform's weight; individual lateral support stations (13) provided with at least one location roller (12) rotatable about a substantially vertical axis to engage in use with at least one substantially vertical portion of the support track, such that the lateral support station (13) rollers collectively provide a centering force to maintain the position of the platform (1) periphery within defined limits during platform rotation.

WO 2007/117162 A3



— *before the expiration of the time limit for amending the claims and to be republished in the event of receipt of amendments*

For two-letter codes and other abbreviations, refer to the "Guidance Notes on Codes and Abbreviations" appearing at the beginning of each regular issue of the PCT Gazette.

(88) Date of publication of the international search report:

22 November 2007

INTERNATIONAL SEARCH REPORT

International application No
PCT/NZ2007/000079A. CLASSIFICATION OF SUBJECT MATTER
INV. A01K1/12

According to International Patent Classification (IPC) or to both national classification and IPC

B. FIELDS SEARCHED

Minimum documentation searched (classification system followed by classification symbols)
A01K

Documentation searched other than minimum documentation to the extent that such documents are included in the fields searched

Electronic data base consulted during the international search (name of data base and, where practical, search terms used)

EPO-Internal

C. DOCUMENTS CONSIDERED TO BE RELEVANT

Category*	Citation of document, with indication, where appropriate, of the relevant passages	Relevant to claim No.
X A	DE 41 01 530 A1 (REINHOLD PILZECKER FA [DE]) 23 July 1992 (1992-07-23) column 2, line 43 - column 3, line 7; figures	2-12, 14-17 1,13
A	DE 102 12 676 C1 (WESTFALIA LANDTECHNIK GMBH [DE]) 12 June 2003 (2003-06-12) paragraph [0043]; figure 3	1-17
A	US 3 835 814 A (JACOBS L ET AL) 17 September 1974 (1974-09-17) column 5, line 52 - column 6, line 20; figures	1-17
A	GB 1 175 588 A (GASCOIGNES RES & DEV LTD) 23 December 1969 (1969-12-23) page 7, line 41 - line 50; figure 15	1

 Further documents are listed in the continuation of Box C. See patent family annex.

* Special categories of cited documents :

- *A* document defining the general state of the art which is not considered to be of particular relevance
- *E* earlier document but published on or after the international filing date
- *L* document which may throw doubts on priority claim(s) or which is cited to establish the publication date of another citation or other special reason (as specified)
- *O* document referring to an oral disclosure, use, exhibition or other means
- *P* document published prior to the international filing date but later than the priority date claimed

- *T* later document published after the international filing date or priority date and not in conflict with the application but cited to understand the principle or theory underlying the invention
- *X* document of particular relevance; the claimed invention cannot be considered novel or cannot be considered to involve an inventive step when the document is taken alone
- *Y* document of particular relevance; the claimed invention cannot be considered to involve an inventive step when the document is combined with one or more other such documents, such combination being obvious to a person skilled in the art.
- * & * document member of the same patent family

Date of the actual completion of the international search

21 September 2007

Date of mailing of the international search report

28/09/2007

Name and mailing address of the ISA/

European Patent Office, P.B. 5818 Patentlaan 2
NL - 2280 HV Rijswijk
Tel. (+31-70) 340-2040, Tx. 31 651 epo nl,
Fax: (+31-70) 340-3016

Authorized officer

Forjaz, Alexandra

INTERNATIONAL SEARCH REPORT

International application No.
PCT/NZ2007/000079

Box II Observations where certain claims were found unsearchable (Continuation of item 2 of first sheet)

This International Search Report has not been established in respect of certain claims under Article 17(2)(a) for the following reasons:

1. Claims Nos.:
because they relate to subject matter not required to be searched by this Authority, namely:

2. Claims Nos.:
because they relate to parts of the International Application that do not comply with the prescribed requirements to such an extent that no meaningful International Search can be carried out, specifically:

see FURTHER INFORMATION sheet PCT/ISA/210

3. Claims Nos.:
because they are dependent claims and are not drafted in accordance with the second and third sentences of Rule 6.4(a).

Box III Observations where unity of invention is lacking (Continuation of item 3 of first sheet)

This International Searching Authority found multiple inventions in this international application, as follows:

1. As all required additional search fees were timely paid by the applicant, this International Search Report covers all searchable claims.

2. As all searchable claims could be searched without effort justifying an additional fee, this Authority did not invite payment of any additional fee.

3. As only some of the required additional search fees were timely paid by the applicant, this International Search Report covers only those claims for which fees were paid, specifically claims Nos.:

4. No required additional search fees were timely paid by the applicant. Consequently, this International Search Report is restricted to the invention first mentioned in the claims; it is covered by claims Nos.:

Remark on Protest

- The additional search fees were accompanied by the applicant's protest.
- No protest accompanied the payment of additional search fees.

FURTHER INFORMATION CONTINUED FROM PCT/ISA/ 210

Continuation of Box II.2

A meaningful search for claims 18 and 19 was not possible because of lack of technical features (lack of clarity, Art. 6 PCT).

Further more, a claim shall not rely references to the drawings and the description only (PCT Guidelines, Part II, Chapter 5.10)

The applicant's attention is drawn to the fact that claims relating to inventions in respect of which no international search report has been established need not be the subject of an international preliminary examination (Rule 66.1(e) PCT). The applicant is advised that the EPO policy when acting as an International Preliminary Examining Authority is normally not to carry out a preliminary examination on matter which has not been searched. This is the case irrespective of whether or not the claims are amended following receipt of the search report or during any Chapter II procedure. If the application proceeds into the regional phase before the EPO, the applicant is reminded that a search may be carried out during examination before the EPO (see EPO Guideline C-VI, 8.5), should the problems which led to the Article 17(2) declaration be overcome.

INTERNATIONAL SEARCH REPORT

Information on patent family members

International application No PCT/NZ2007/000079

Patent document cited in search report	Publication date	Publication date	Patent family member(s)	Publication date
DE 4101530	A1	23-07-1992	NONE	
<hr/>				
DE 10212676	C1	12-06-2003	AT 318509 T	15-03-2006
			AU 2003226682 A1	08-10-2003
			CA 2480027 A1	02-10-2003
			WO 03079772 A1	02-10-2003
			EP 1487257 A1	22-12-2004
			NZ 535540 A	31-03-2006
			US 2005166851 A1	04-08-2005
<hr/>				
US 3835814	A	17-09-1974	NONE	
<hr/>				
GB 1175588	A	23-12-1969	DE 1782215 B1	16-03-1972
			DE 6752792 U	13-03-1969
			ES 357156 A1	01-03-1970
			FR 1576765 A	01-08-1969
<hr/>				