



US00D346874S

United States Patent [19]

[11] Patent Number: Des. 346,874

Fiorato

[45] Date of Patent: ** May 10, 1994

[54] WALL LAMP

[75] Inventor: Roberto Fiorato, Verona, Italy

[73] Assignee: Prisma S.p.A., Italy

[**] Term: 14 Years

[21] Appl. No.: 899,656

[22] Filed: Jun. 16, 1992

[30] Foreign Application Priority Data

Dec. 20, 1991 [IT] Italy MI910-000877

[52] U.S. Cl. D26/87

[58] Field of Search 362/147, 432, 404-408;
D26/72, 80-92

[56] References Cited

U.S. PATENT DOCUMENTS

D. 237,533 11/1975 Gandini D26/87

OTHER PUBLICATIONS

Multiworld Lighting Suspension & Wall/Ceiling

Lamps Catalog, 1989, Globo/A,B&C, Ceiling or Wall Lamp.

Thunder & Light Catalog, 1982, p: 1, Oblo Wall/Ceiling Lamp.

Primary Examiner—Susan J. Lucas

Attorney, Agent, or Firm—Kirschstein, Ottinger, Israel & Schiffmiller

[57] CLAIM

The ornamental design for a wall lamp, as shown and described.

DESCRIPTION

FIG. 1 is a front elevational view of the wall lamp; FIG. 2 is a side elevational view thereof, the opposite side being a mirror image thereof; FIG. 3 is a back elevational view thereof; FIG. 4 is a front and side perspective view thereof; FIG. 5 is a back and side perspective view thereof; FIG. 6 is a top plan view thereof; and, FIG. 7 is a bottom plan view thereof.

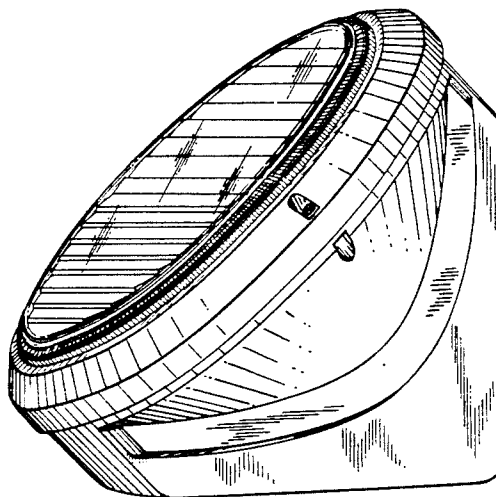
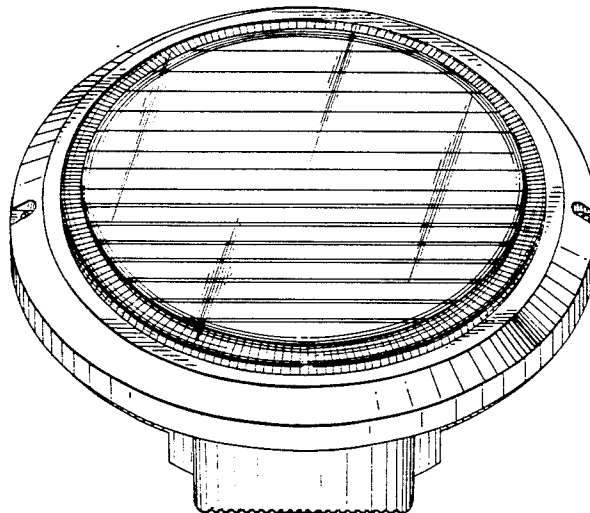


FIG. 1

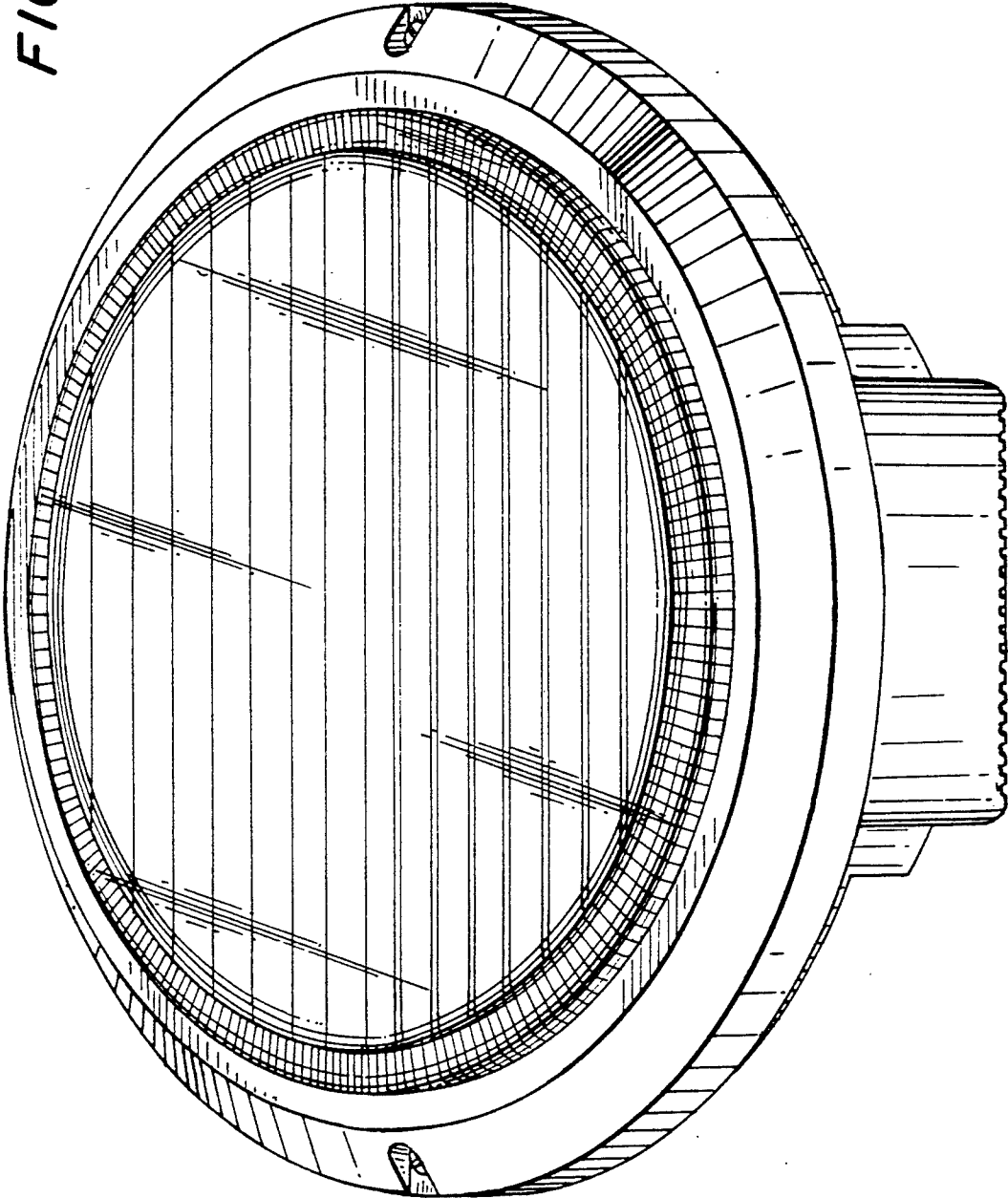


FIG. 2

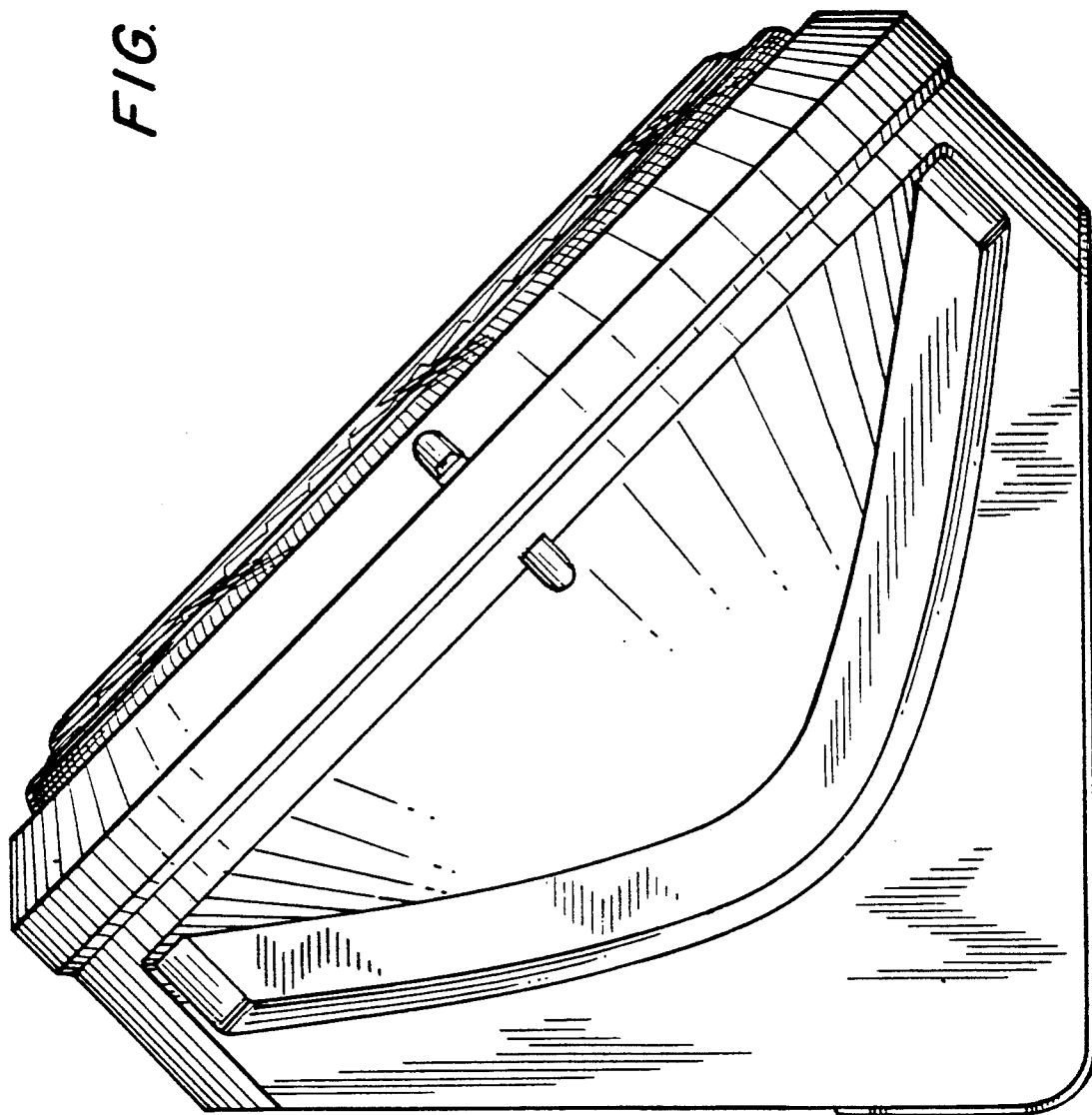
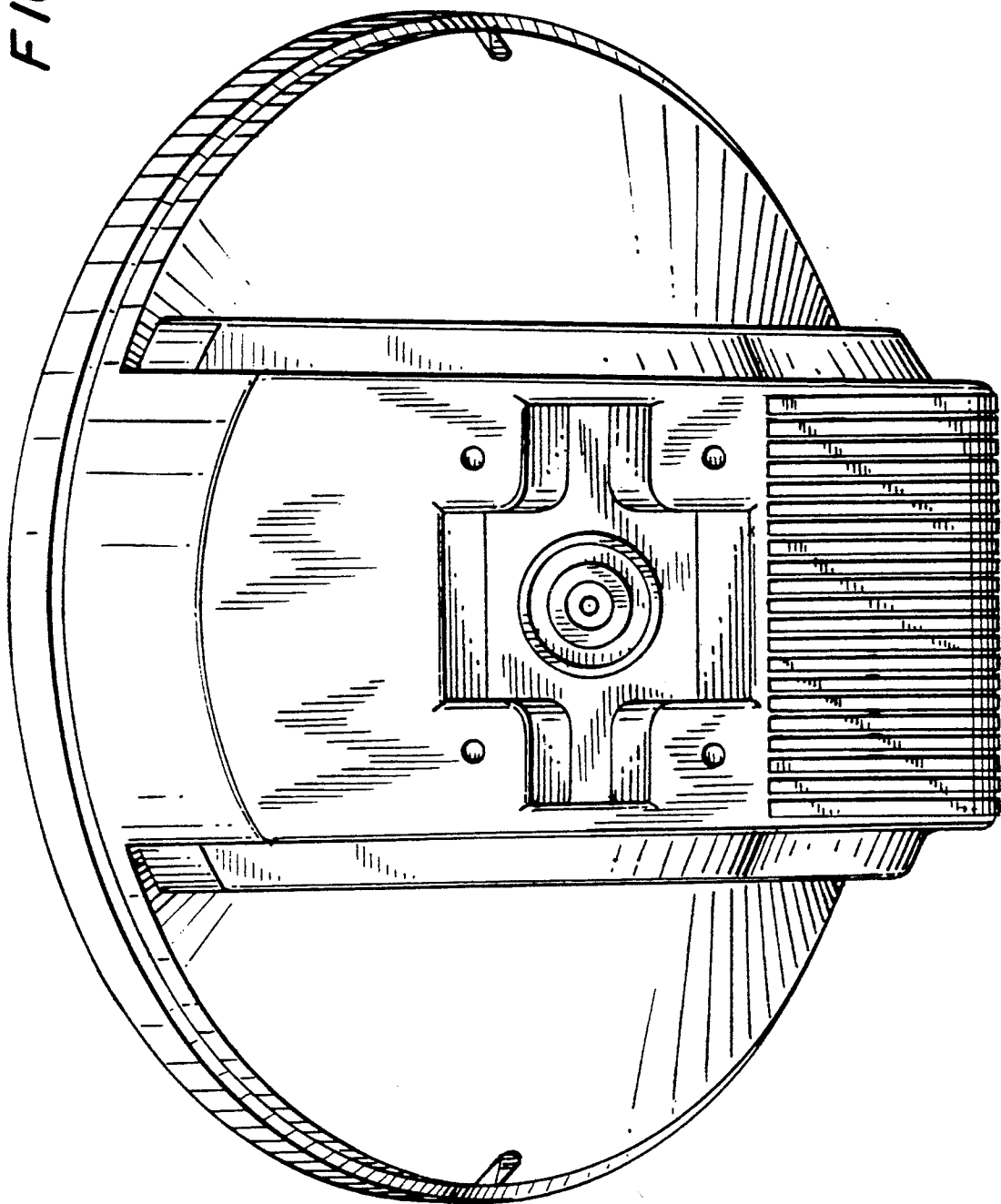


FIG. 3



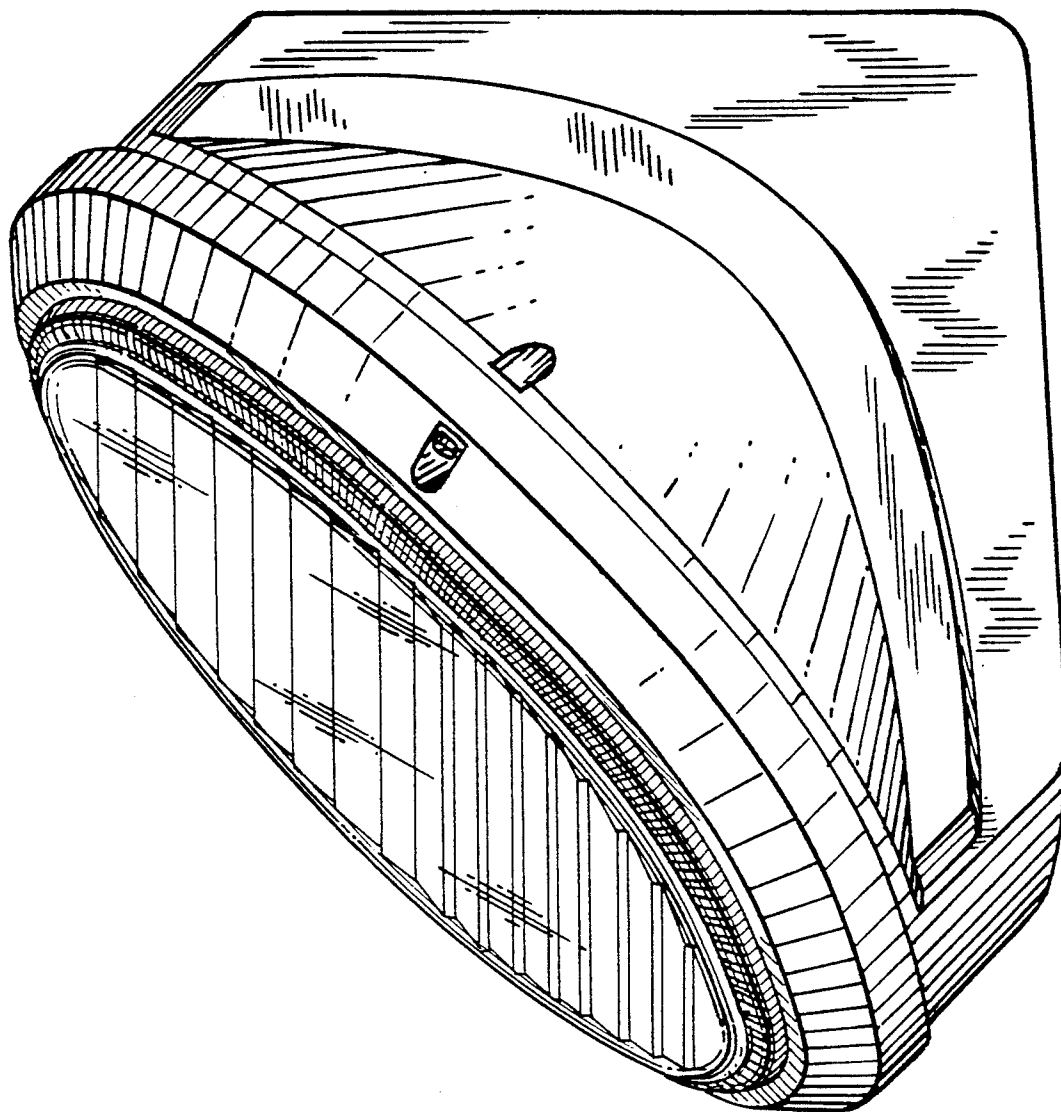
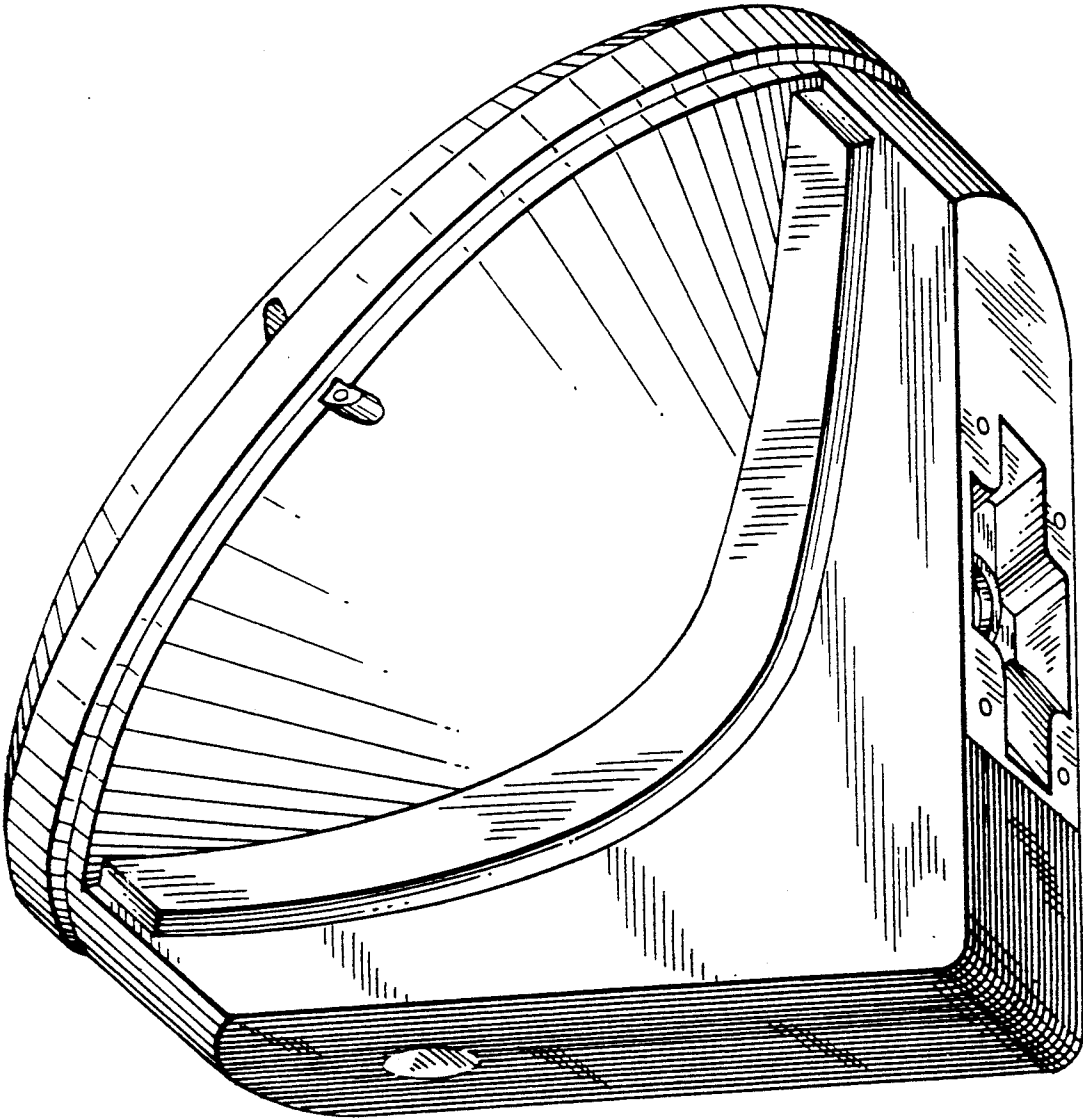


FIG. 4

FIG. 5



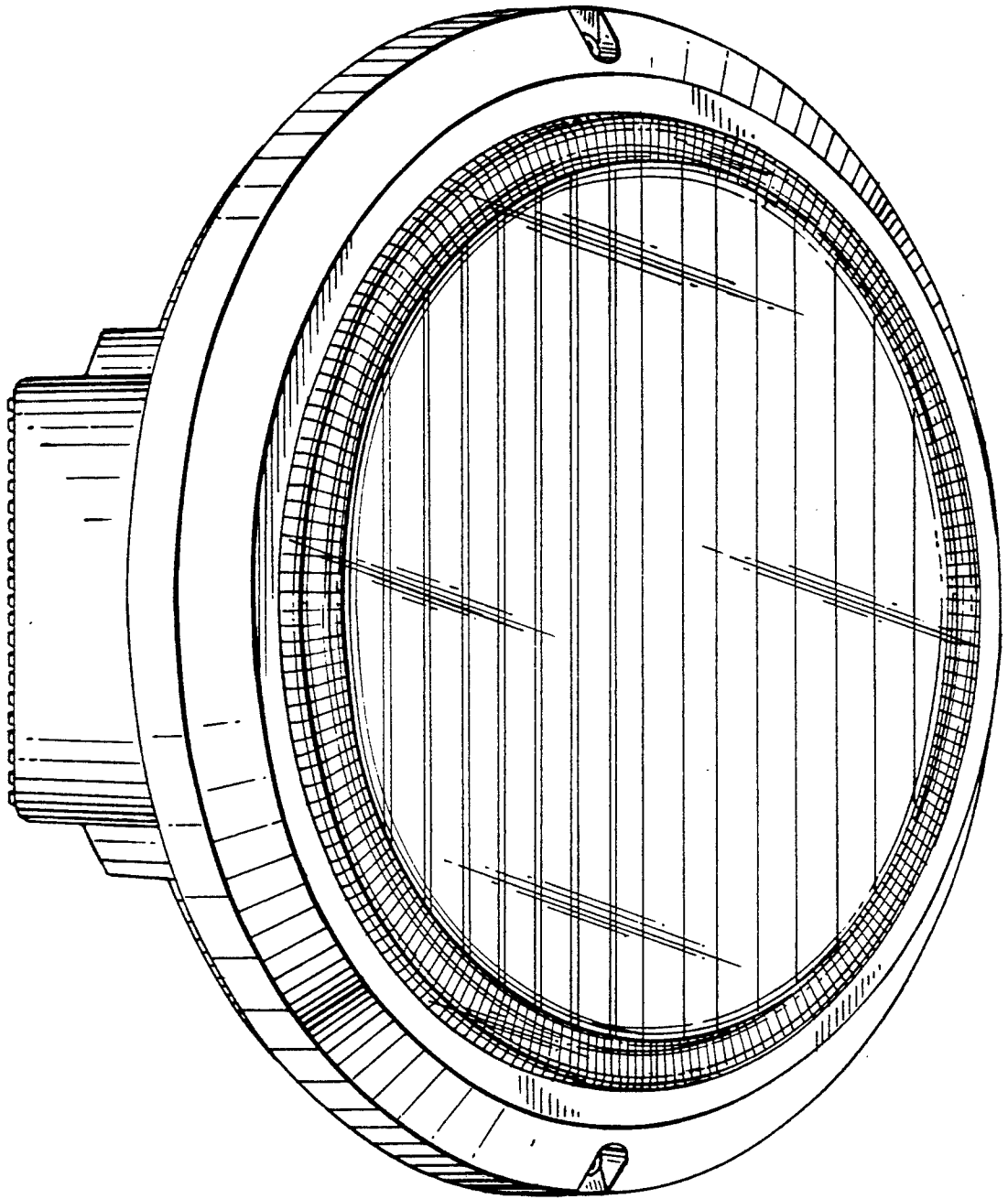


FIG. 6

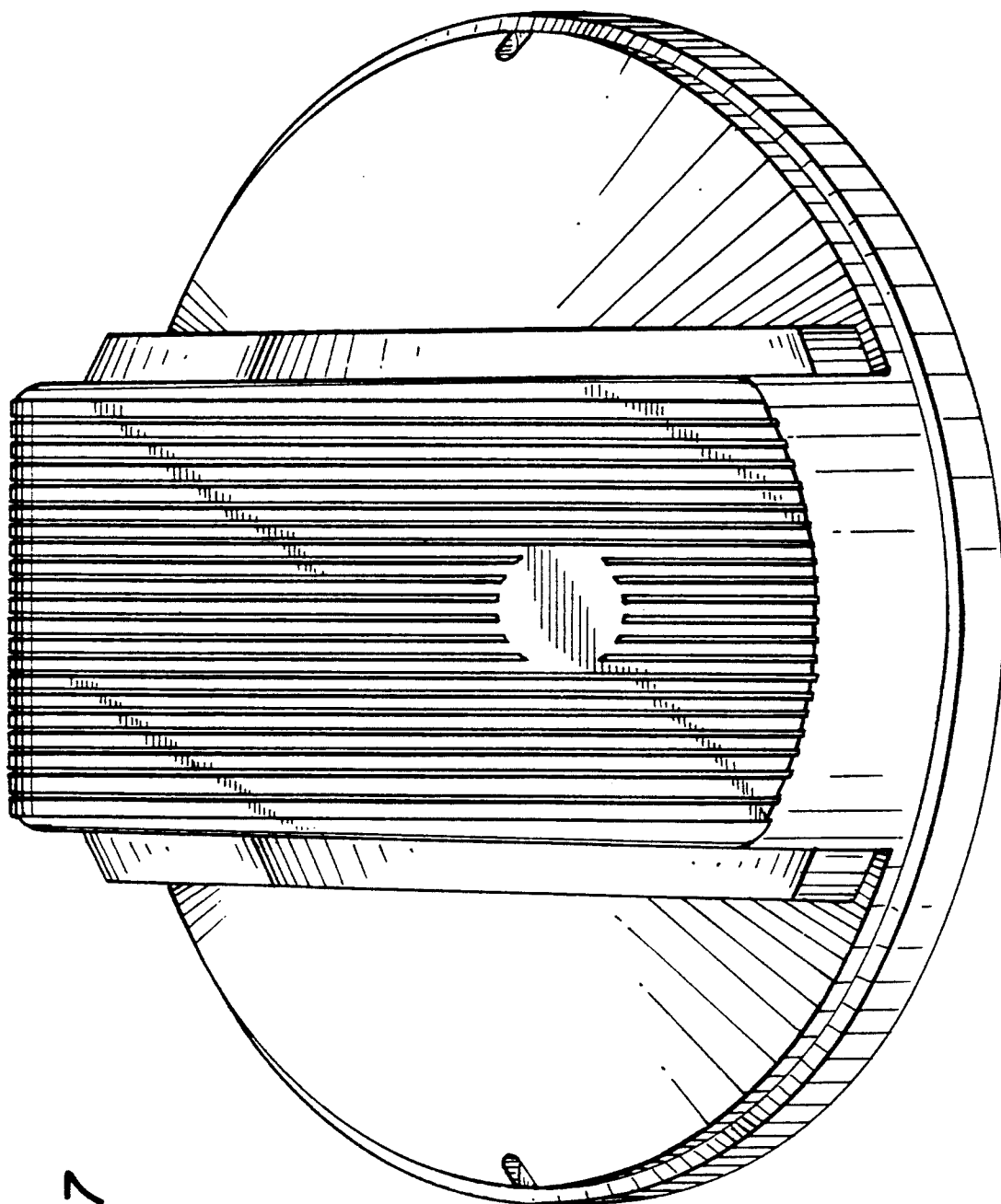


FIG. 7