



(12) **United States Design Patent**  
**Peng**

(10) **Patent No.:** **US D1,027,183 S**  
(45) **Date of Patent:** **\*\* May 14, 2024**

(54) **PULSE OXIMETER**

D973,880 S \* 12/2022 Yi ..... D24/169  
D977,649 S \* 2/2023 Yi ..... D24/169  
D1,004,779 S \* 11/2023 Yuan ..... D24/169

(71) Applicant: **Yimi Biomedical (Shenzhen) Co., Ltd.**, Shenzhen (CN)

**FOREIGN PATENT DOCUMENTS**

(72) Inventor: **Shande Peng**, Shenzhen (CN)

EM 007872320-0021 \* 5/2020  
EM 008816318-0001 \* 1/2022  
EM 009174378-0012 \* 9/2022  
GB 6066871 \* 7/2019  
IN 330956-001 \* 12/2022

(73) Assignee: **YIMI BIOMEDICAL (SHENZHEN) CO., LTD.**, Shenzhen (CN)

(\*\*) Term: **15 Years**

**OTHER PUBLICATIONS**

(21) Appl. No.: **29/791,372**

EMI, Fingertip, Pulse Oximeter-Grainger, posted date unavailable [retrieved online Dec. 18, 2023]. Retrieved from internet, [https://www.grainger.com/product/800K47?gucid=N:N:PS:Paid:GGL:CSM-2295:4P7A1P:20501231&gad\\_source=1](https://www.grainger.com/product/800K47?gucid=N:N:PS:Paid:GGL:CSM-2295:4P7A1P:20501231&gad_source=1) (Year: 2023).\*

(22) Filed: **Jan. 10, 2022**

(Continued)

(30) **Foreign Application Priority Data**

Dec. 30, 2021 (CN) ..... 202130875037.X

*Primary Examiner* — Lilyana Bekic  
*Assistant Examiner* — Samantha K Pollack

(51) **LOC (14) Cl.** ..... **24-02**

(52) **U.S. Cl.** ..... **D24/169**

USPC ..... **D24/169**

(57) **CLAIM**

(58) **Field of Classification Search**

The ornamental design for a pulse oximeter, as shown and described.

USPC ..... D24/107, 164–169, 185–187;

D10/49–53, 57, 75, 96, 98; D14/344

CPC . A61B 5/021; A61B 5/02438; A61B 5/14552;

A61B 5/14551; A61B 5/6826; A61B

5/6838; G01N 33/49

See application file for complete search history.

**DESCRIPTION**

FIG. 1 is a perspective view of a pulse oximeter showing my new design;

FIG. 2 is another perspective view thereof;

FIG. 3 is a front elevational view thereof

FIG. 4 is a rear elevational view thereof;

FIG. 5 is a left side elevational view thereof;

FIG. 6 is a right side elevational view thereof;

FIG. 7 is a top plan view thereof; and,

FIG. 8 is a bottom plan view thereof.

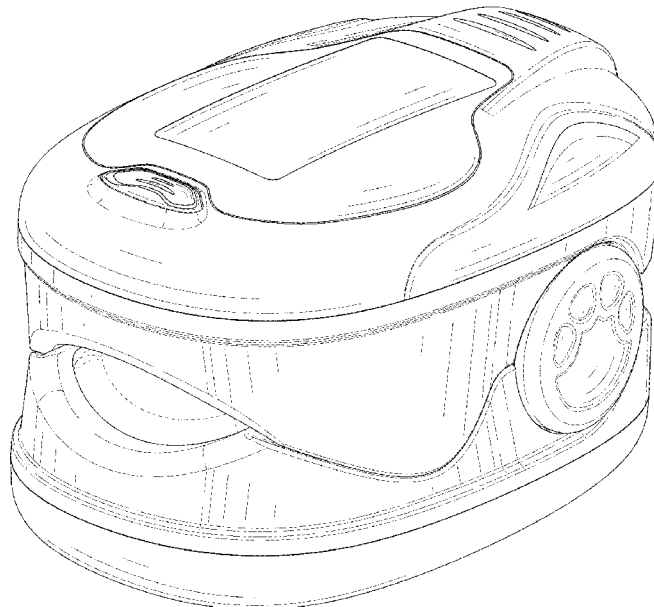
The broken lines in the drawings depict portions of the pulse oximeter that form no part of the claimed design.

(56) **References Cited**

**U.S. PATENT DOCUMENTS**

D615,655 S \* 5/2010 Maser ..... D24/169  
D668,340 S \* 10/2012 Wang ..... D24/165  
D894,400 S \* 8/2020 Wei ..... D24/169  
D922,582 S \* 6/2021 Peng ..... D24/165  
D926,324 S \* 7/2021 Zhang ..... D24/169  
D957,641 S \* 7/2022 Li ..... D24/169  
D972,731 S \* 12/2022 Xie ..... D24/169

**1 Claim, 8 Drawing Sheets**



(56)

**References Cited**

OTHER PUBLICATIONS

Wireless Digital Blood Oxygen Meter—NuCare Pharmacy & Surgical, posted date unavailable [retrieved online Dec. 18, 2023]. Retrieved from internet, <https://www.nucaremasks.com/product/wireless-digital-blood-oxygen-meter-finger-pulse-oximeter/20> (Year: 2023).\*

AccuMed CMS—50D1 Finger Pulse Oximeter, posted date unavailable [retrieved online Dec. 18, 2023]. Retrieved from internet, <https://accumed.com/accumed-cms-50d1-finger-pulse-oximeter-blood-oxygen-spo2-monitor-white-120.html> (Year: 2023).\*

Soft Touch Fingertip Pulse Oximeter, posted date unavailable [retrieved online Dec. 18, 2023]. Retrieved from internet, <https://athome.medline.com/en/soft-touch-fingertip-pulse-oximeter-digital-display-adult-orange-hcsm70r> (Year: 2023).\*

Zewa Deluxe Pulse Oximeter with Color OLED Display, posted date unavailable [retrieved online Dec. 18, 2023]. Retrieved from internet, <https://www.riteaid.com/shop/zewa-deluxe-pulse-oximeter-with-color-oled-display> (Year: 2023).\*

\* cited by examiner

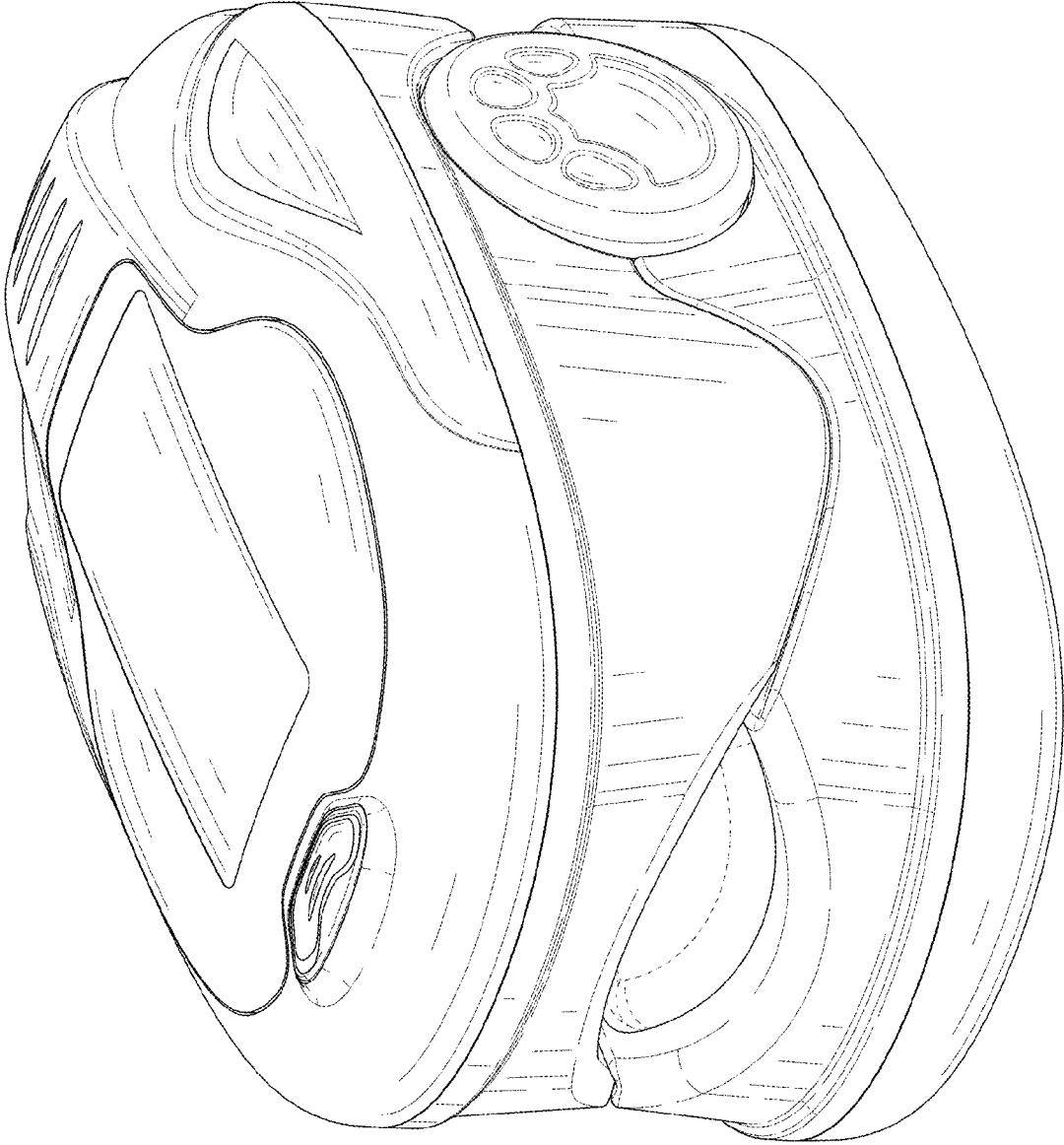


FIG. 1

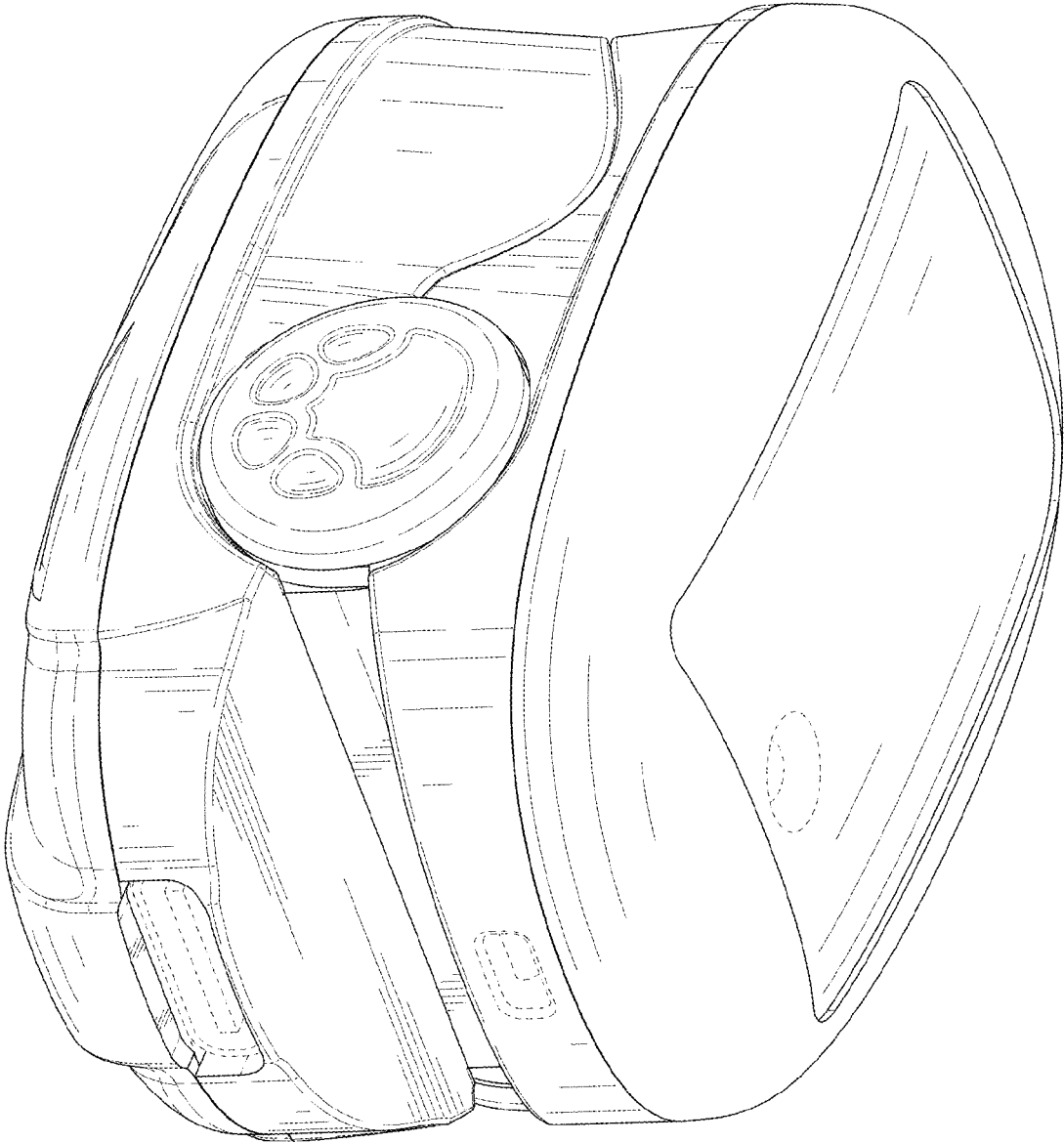


FIG. 2

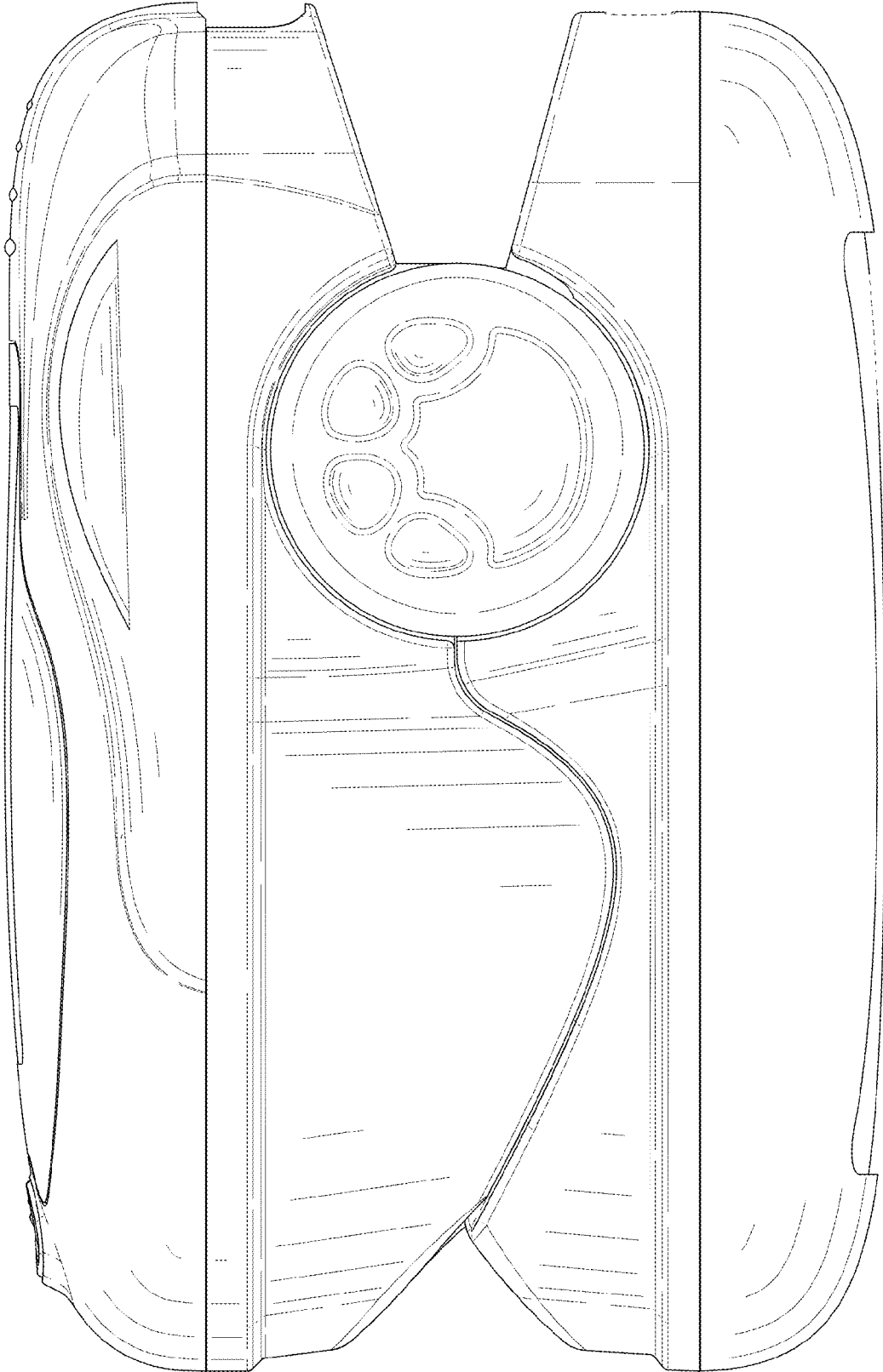


FIG. 3

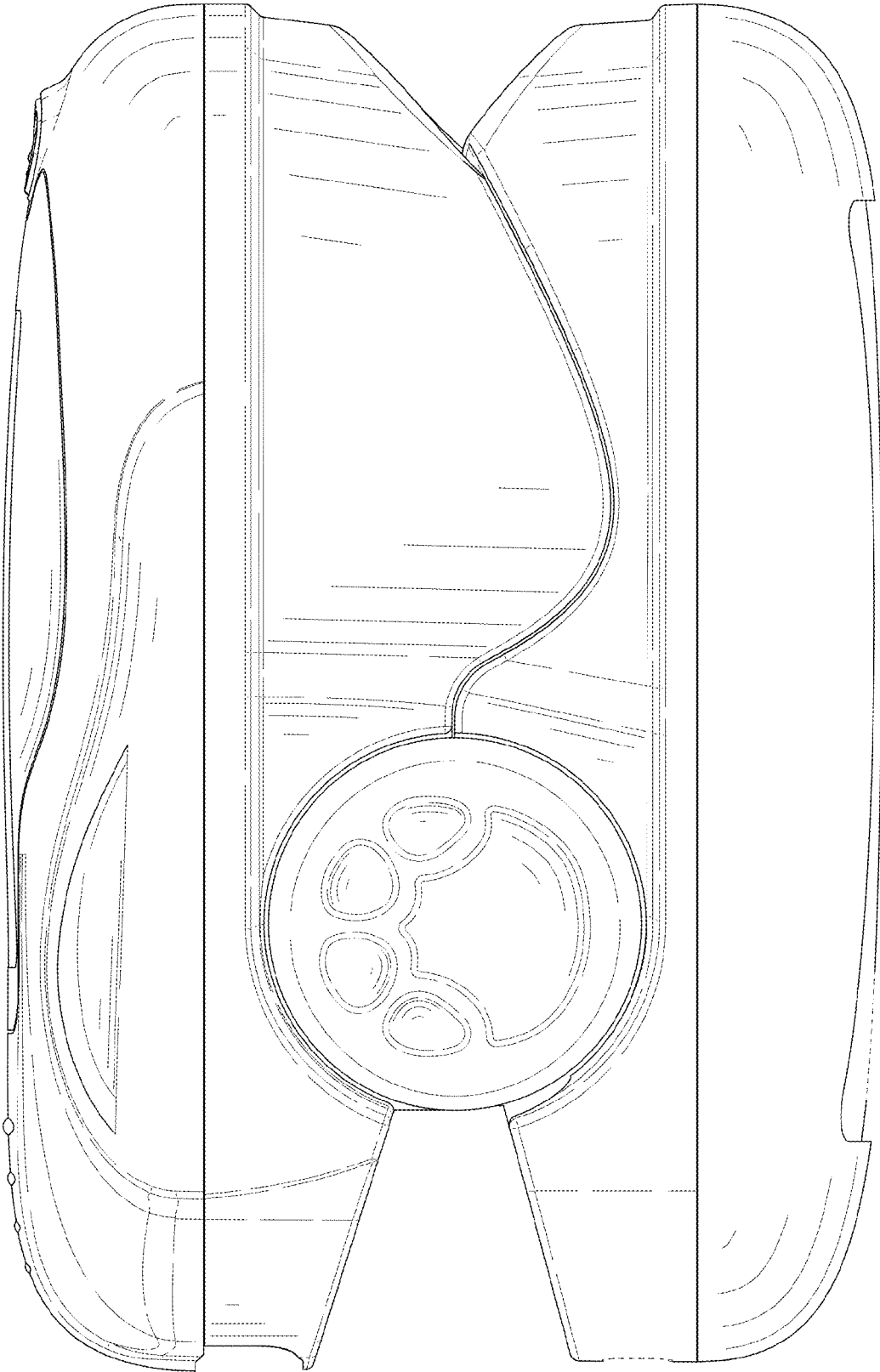


FIG. 4

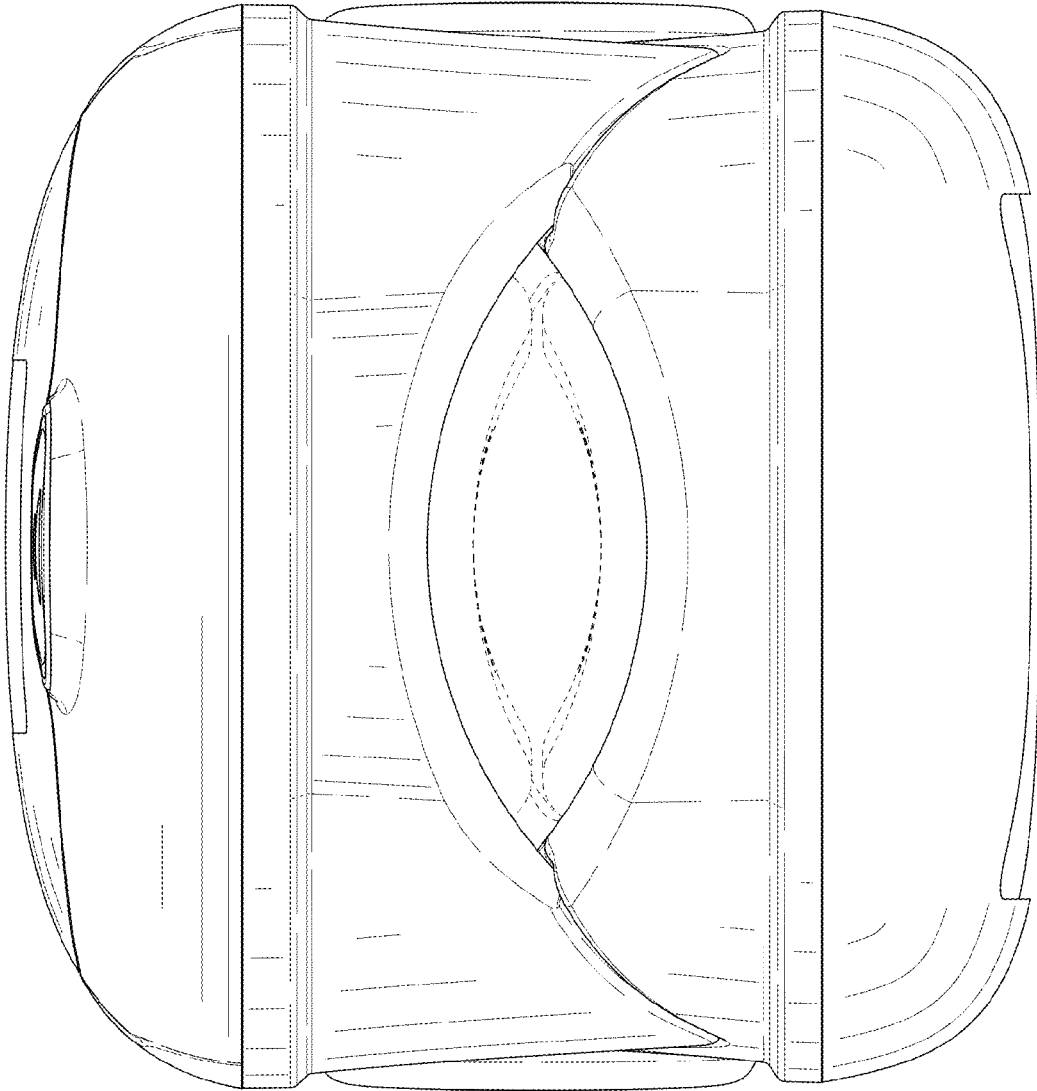


FIG. 5

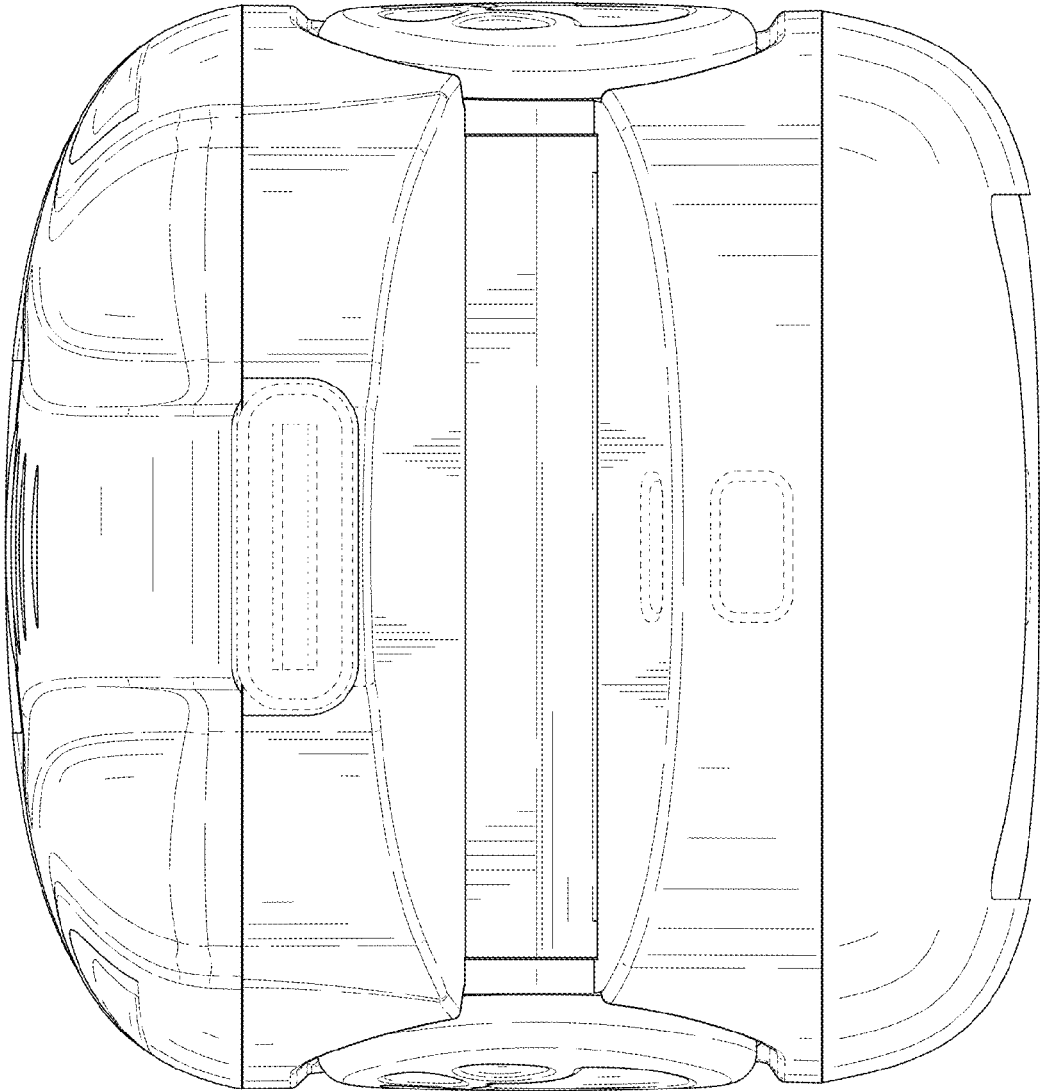


FIG. 6

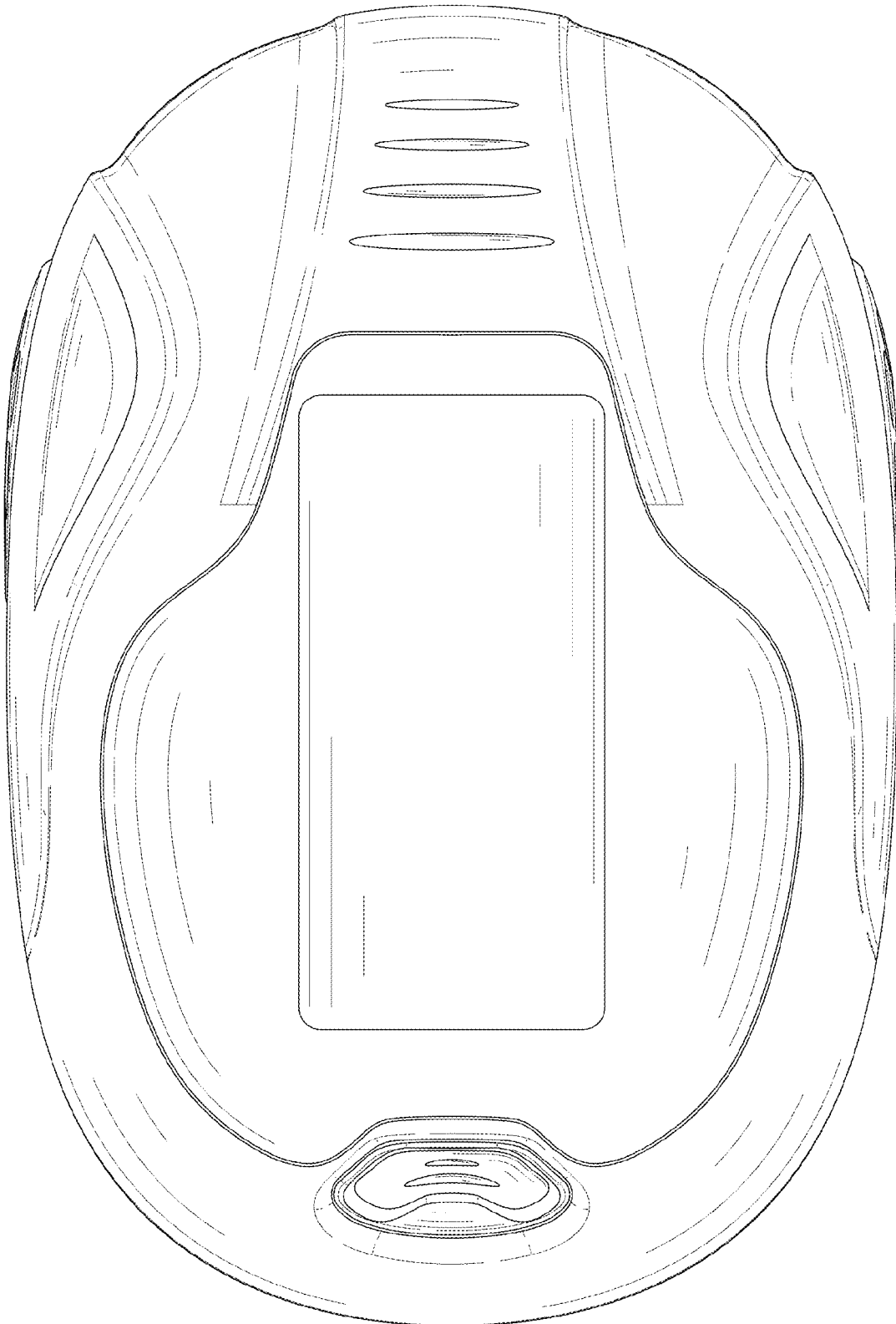


FIG. 7

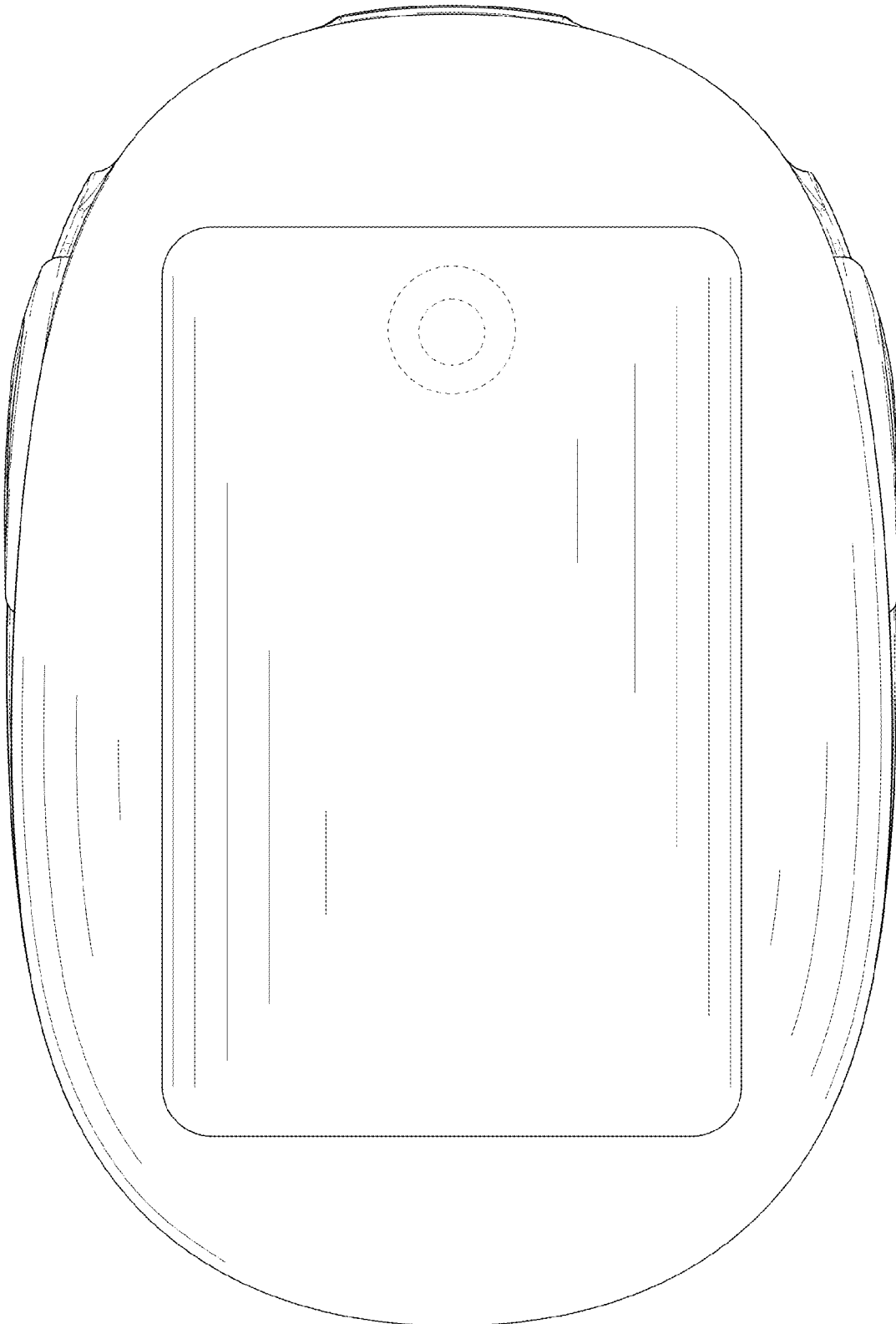


FIG. 8