

(19) World Intellectual Property Organization
International Bureau



(43) International Publication Date
17 November 2005 (17.11.2005)

PCT

(10) International Publication Number
WO 2005/107663 A3

- (51) International Patent Classification:
A61F 6/00 (2006.01) A61F 6/04 (2006.01)
- (21) International Application Number:
PCT/ZA2005/000062
- (22) International Filing Date: 3 May 2005 (03.05.2005)
- (25) Filing Language: English
- (26) Publication Language: English
- (30) Priority Data:
2004/3610 12 May 2004 (12.05.2004) ZA
- (71) Applicant and
- (72) Inventor: MULDER, Roelof [ZA/ZA]; C101 Cape Quarter, 72 Waterkant Street, De Waterkant Village, Cape Town 8001 (ZA).
- (74) Agent: BACON, Brian; Brian Bacon & Associates Inc., 2nd floor, Mariendahl House, Newlands on Main, Main Road, Newlands 7700 (ZA).

GB, GD, GE, GH, GM, HR, HU, ID, IL, IN, IS, JP, KE, KG, KM, KP, KR, KZ, LC, LK, LR, LS, LT, LU, LV, MA, MD, MG, MK, MN, MW, MX, MY, NA, NI, NO, NZ, OM, PG, PH, PL, PT, RO, RU, SC, SD, SE, SG, SK, SL, SM, SY, TJ, TM, TN, TR, TT, TZ, UA, UG, US, UZ, VC, VN, YU, ZA, ZM, ZW.

(84) Designated States (unless otherwise indicated, for every kind of regional protection available): ARIPO (BW, GH, GM, KE, LS, MW, MZ, NA, SD, SL, SZ, TZ, UG, ZM, ZW), Eurasian (AM, AZ, BY, KG, KZ, MD, RU, TJ, TM), European (AT, BE, BG, CH, CY, CZ, DE, DK, EE, ES, FI, FR, GB, GR, HU, IE, IS, IT, LT, LU, MC, NL, PL, PT, RO, SE, SI, SK, TR), OAPI (BF, BJ, CF, CG, CI, CM, GA, GN, GQ, GW, ML, MR, NE, SN, TD, TG).

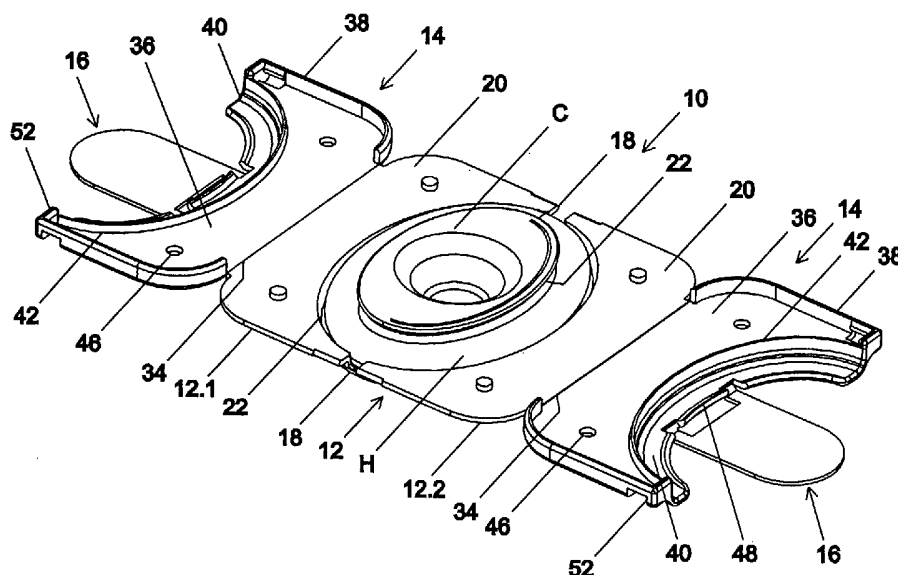
Published:

- with international search report
- before the expiration of the time limit for amending the claims and to be republished in the event of receipt of amendments

(88) Date of publication of the international search report:
6 April 2006

For two-letter codes and other abbreviations, refer to the "Guidance Notes on Codes and Abbreviations" appearing at the beginning of each regular issue of the PCT Gazette.

(54) Title: CONDOM APPLICATOR



(57) Abstract: A condom applicator (10) is disclosed which comprises a base (12) with a split line (18) across it and two flaps (14) which are connected by flimsy hinges to the base (12). Tubs (16) protrude from the flap (14). The base (12) includes two generally parallel walls (24, 28) and a base (26) which bound a trough (22). The trough receives the hem ring of a condom. There is an opening in the base which is encircled by the inner wall (24). When the flaps (14) are folded over, areas (44) of the flaps (14) cover the trough leaving a gap (G) between the wall (24) and the area (44). The teat of the condom lies across the opening.

WO 2005/107663 A3

INTERNATIONAL SEARCH REPORT

International application No
PCT/ZA2005/000062

A. CLASSIFICATION OF SUBJECT MATTER A61F6/00 A61F6/04		
According to International Patent Classification (IPC) or to both national classification and IPC		
B. FIELDS SEARCHED		
Minimum documentation searched (classification system followed by classification symbols) A61F		
Documentation searched other than minimum documentation to the extent that such documents are included in the fields searched		
Electronic data base consulted during the international search (name of data base and, where practical, search terms used) EPO-Internal		
C. DOCUMENTS CONSIDERED TO BE RELEVANT		
Category*	Citation of document, with indication, where appropriate, of the relevant passages	Relevant to claim No.
A	WO 02/069861 A (VAN RENSBURG, WILLEM, NICOLAAS) 12 September 2002 (2002-09-12) cited in the application page 9, paragraph 3 - page 15, paragraph 1; figures -----	1-16
A	WO 99/32058 A (LIEHS, REINHARD) 1 July 1999 (1999-07-01) page 3, last paragraph - page 5, last paragraph; figures -----	1-16
A	WO 96/08220 A (VILMORIN, YVES DE; BAIGNERES, FREDERIC; ARBIN, CHRISTIAN) 21 March 1996 (1996-03-21) page 4, line 12 - page 10, line 1; figures ----- -/--	1-16
<input checked="" type="checkbox"/> Further documents are listed in the continuation of Box C.		<input checked="" type="checkbox"/> See patent family annex.
* Special categories of cited documents :		
"A" document defining the general state of the art which is not considered to be of particular relevance	"T" later document published after the international filing date or priority date and not in conflict with the application but cited to understand the principle or theory underlying the invention	
"E" earlier document but published on or after the international filing date	"X" document of particular relevance; the claimed invention cannot be considered novel or cannot be considered to involve an inventive step when the document is taken alone	
"L" document which may throw doubts on priority claim(s) or which is cited to establish the publication date of another citation or other special reason (as specified)	"Y" document of particular relevance; the claimed invention cannot be considered to involve an inventive step when the document is combined with one or more other such documents, such combination being obvious to a person skilled in the art.	
"O" document referring to an oral disclosure, use, exhibition or other means	"&" document member of the same patent family	
"P" document published prior to the international filing date but later than the priority date claimed		
Date of the actual completion of the international search 12 September 2005	Date of mailing of the international search report 16. 02. 2006	
Name and mailing address of the ISA/ European Patent Office, P.B. 5818 Patentlaan 2 NL - 2280 HV Rijswijk Tel. (+31-70) 340-2040, Tx. 31 651 epo nl, Fax: (+31-70) 340-3016	Authorized officer Vanttinen, H	

INTERNATIONAL SEARCH REPORT

International application No.
PCT/ZA2005/000062

Box II Observations where certain claims were found unsearchable (Continuation of item 2 of first sheet)

This International Search Report has not been established in respect of certain claims under Article 17(2)(a) for the following reasons:

1. Claims Nos.:
because they relate to subject matter not required to be searched by this Authority, namely:

2. Claims Nos.:
because they relate to parts of the International Application that do not comply with the prescribed requirements to such an extent that no meaningful International Search can be carried out, specifically:

3. Claims Nos.:
because they are dependent claims and are not drafted in accordance with the second and third sentences of Rule 6.4(a).

Box III Observations where unity of invention is lacking (Continuation of item 3 of first sheet)

This International Searching Authority found multiple inventions in this international application, as follows:

see additional sheet

1. As all required additional search fees were timely paid by the applicant, this International Search Report covers all searchable claims.
2. As all searchable claims could be searched without effort justifying an additional fee, this Authority did not invite payment of any additional fee.
3. As only some of the required additional search fees were timely paid by the applicant, this International Search Report covers only those claims for which fees were paid, specifically claims Nos.:
4. No required additional search fees were timely paid by the applicant. Consequently, this International Search Report is restricted to the invention first mentioned in the claims; it is covered by claims Nos.:

1-16

Remark on Protest

The additional search fees were accompanied by the applicant's protest.

No protest accompanied the payment of additional search fees.

FURTHER INFORMATION CONTINUED FROM PCT/ISA/ 210

This International Searching Authority found multiple (groups of) inventions in this international application, as follows:

1. claims: 1-16

A condom applicator

2. claims: 17,18

A package

INTERNATIONAL SEARCH REPORT

International application No
PCT/ZA2005/000062

C(Continuation). DOCUMENTS CONSIDERED TO BE RELEVANT		
Category*	Citation of document, with indication, where appropriate, of the relevant passages	Relevant to claim No.
A	US 4 875 491 A (PARRONE ET AL) 24 October 1989 (1989-10-24) cited in the application column 5, line 13 - column 8, line 42; figures	1,16
A	----- US 5 316 019 A (JONES ET AL) 31 May 1994 (1994-05-31) abstract; figures -----	1,16

INTERNATIONAL SEARCH REPORT

International application No

PCT/ZA2005/000062

Patent document cited in search report		Publication date	Patent family member(s)	Publication date			
WO 02069861	A	12-09-2002	CA 2440029 A1	12-09-2002			
			CN 1496242 A	12-05-2004			
			EP 1377242 A1	07-01-2004			
			JP 2004522543 T	29-07-2004			
			NZ 527654 A	25-06-2004			
			US 2004103901 A1	03-06-2004			

WO 9932058	A	01-07-1999	AT 405238 B	25-06-1999			
			AT 216897 A	15-11-1998			
			AU 761151 B2	29-05-2003			
			AU 1646799 A	12-07-1999			
			CA 2316343 A1	01-07-1999			
			CN 1283975 A	14-02-2001			
			DE 59807999 D1	22-05-2003			
			EP 1041948 A1	11-10-2000			
			ES 2199477 T3	16-02-2004			
			JP 2001526086 T	18-12-2001			
			US 6425397 B1	30-07-2002			

			WO 9608220	A	21-03-1996	AP 882 A	27-10-2000
AT 192320 T	15-05-2000						
AU 696242 B2	03-09-1998						
AU 3390695 A	29-03-1996						
BR 9508831 A	23-12-1997						
CA 2199857 A1	21-03-1996						
CN 1181000 A	06-05-1998						
DE 69516713 D1	08-06-2000						
DE 69516713 T2	30-11-2000						
DK 789542 T3	18-09-2000						
EP 0789542 A1	20-08-1997						
ES 2148547 T3	16-10-2000						
FI 971011 A	07-05-1997						
FR 2724314 A1	15-03-1996						
GR 3034103 T3	30-11-2000						
HK 1014855 A1	25-02-2005						
JP 3146248 B2	12-03-2001						
JP 10508503 T	25-08-1998						
KR 204640 B1	15-06-1999						
NO 971126 A	07-05-1997						
NZ 292191 A	29-04-1999						
OA 10733 A	11-12-2002						
PT 789542 T	31-10-2000						

US 4875491	A	24-10-1989	NONE				

US 5316019	A	31-05-1994	NONE				
