



(51) International Patent Classification:

A61B 5/15 (2006.01) B01L 3/14 (2006.01)  
A61B 10/00 (2006.01) B65D 39/04 (2006.01)

(21) International Application Number:

PCT/US2016/066236

(22) International Filing Date:

12 December 2016 (12.12.2016)

(25) Filing Language:

English

(26) Publication Language:

English

(30) Priority Data:

62/266,433 11 December 2015 (11.12.2015) US

(71) Applicant: SIEMENS HEALTHCARE DIAGNOSTICS INC. [US/US]; 511 Benedict Ave., Tarrytown, New York 10591 (US).

(72) Inventor: OLSON, Eric; 120 Titicus Rd, North Salem, New York 10560 (US).

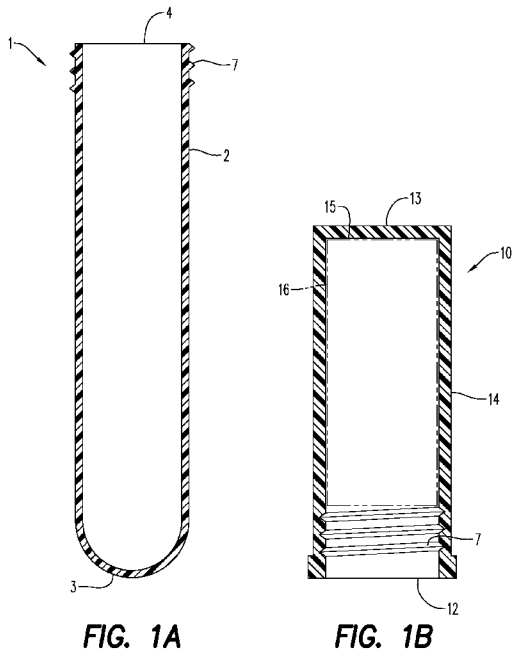
(74) Agents: STEIN, Kevin et al.; Siemens Corporation, IPD, 3501 Quadrangle Blvd Ste 230, Orlando, Florida 32817 (US).

(81) Designated States (unless otherwise indicated, for every kind of national protection available): AE, AG, AL, AM, AO, AT, AU, AZ, BA, BB, BG, BH, BN, BR, BW, BY, BZ, CA, CH, CL, CN, CO, CR, CU, CZ, DE, DJ, DK, DM, DO, DZ, EC, EE, EG, ES, FI, GB, GD, GE, GH, GM, GT, HN, HR, HU, ID, IL, IN, IR, IS, JP, KE, KG, KH, KN, KP, KR, KW, KZ, LA, LC, LK, LR, LS, LU, LY, MA, MD, ME, MG, MK, MN, MW, MX, MY, MZ, NA, NG, NI, NO, NZ, OM, PA, PE, PG, PH, PL, PT, QA, RO, RS, RU, RW, SA, SC, SD, SE, SG, SK, SL, SM, ST, SV, SY, TH, TJ, TM, TN, TR, TT, TZ, UA, UG, US, UZ, VC, VN, ZA, ZM, ZW.

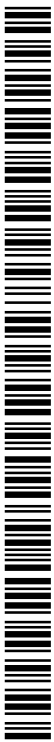
(84) Designated States (unless otherwise indicated, for every kind of regional protection available): ARIPO (BW, GH, GM, KE, LR, LS, MW, MZ, NA, RW, SD, SL, ST, SZ, TZ, UG, ZM, ZW), Eurasian (AM, AZ, BY, KG, KZ, RU, TJ, TM), European (AL, AT, BE, BG, CH, CY, CZ, DE, DK, EE, ES, FI, FR, GB, GR, HR, HU, IE, IS, IT, LT, LU, LV, MC, MK, MT, NL, NO, PL, PT, RO, RS, SE, SI, SK,

[Continued on next page]

(54) Title: SPECIMEN CONTAINER AND METHOD FOR SEPARATING SERUM OR PLASMA FROM WHOLE BLOOD



(57) Abstract: A device and method for separating serum or plasma from blood cells in a whole blood specimen. The present invention uses a cap with a reservoir, such that blood cells are packed into the cap when the specimen container is centrifuged. When the cap is removed, the blood cells are also removed, and the serum or plasma is left in the specimen tube where it can be readily extracted by a pipette which is able to reach all the way to the bottom of the specimen tube minimizing the dead volume.



SM, TR), OAPI (BF, BJ, CF, CG, CI, CM, GA, GN, GQ, GW, KM, ML, MR, NE, SN, TD, TG). **Published:**

— with international search report (Art. 21(3))

**SPECIMEN CONTAINER AND METHOD FOR SEPARATING SERUM OR  
PLASMA FROM WHOLE BLOOD**

CROSS-REFERENCE TO RELATED APPLICATIONS

[0001] This application claims priority of U.S. Provisional Appl. No. 62/266,433, filed December 11, 2015, which is incorporated by reference herein in its entirety.

TECHNICAL FIELD

[0002] The present invention relates to a device and method for separating serum or plasma from whole blood.

BACKGROUND

[0003] Many in vitro diagnostic testing systems and protocols require the use of blood specimens that are free of blood cells in order to perform a diagnostic test. These diagnostic tests either use serum or plasma which is separated from whole blood using techniques such as centrifugation or filtration.

[0004] Serum can be separated from whole blood by first allowing the blood to clot and then centrifuging the specimen to move all the blood cells to the bottom of the specimen tube. Plasma can be separated from whole blood by first mixing the whole blood with an anticoagulant such as lithium heparin or potassium EDTA and then centrifuging the specimen to move all the blood cells to the bottom of the specimen tube.

[0005] When using centrifugation to separate serum or plasma from whole blood, it is common to use a specimen tube that contains a thixotropic gel which has a greater specific gravity than serum or plasma, but lower specific gravity than blood cells. During centrifugation, this gel migrates above the blood cells while staying below the serum or plasma. The function of the gel is to provide a barrier between the serum or plasma and the blood cells so that the serum or plasma do not remix with the blood cells after centrifugation.

[0005] One difficulty of using serum or plasma from centrifuged specimen tubes is that it is difficult to extract serum or plasma from the specimen tube without leaving a large dead volume. The term “dead volume” refers to the amount of unusable sample left in the specimen tube after the maximum amount of sample has been extracted. When using an automated or manual pipette to extract sample from a centrifuged specimen tube, there is a risk that the pipette will make contact with either the blood cells or the gel separator. If this occurs, the sample may be disturbed remixing the blood cells and serum or plasma, the pipette may get clogged, or the pipette may not extract pure serum or plasma. To avoid these risks, the pipette must be kept a safe depth above the blood cells or gel separator to ensure it does not make contact with the blood cells or the gel separator. For an automated pipette, this means that the pipette depth is controlled such that the pipette tip keeps a safe distance from the blood cells or the gel separator. For a manual pipette, this means that the user exercises caution to keep the pipette a safe distance from the blood cells or the gel separator. The serum or plasma which is above the blood cells or the gel separator yet below the pipette tip is unusable as it won't be extracted in the pipette.

[0006] Leaving a large dead volume may not be problematic when the amount of serum or plasma available is significantly greater than the amount required by the diagnostic tests. However, as the amount of serum or plasma required by the diagnostic tests approaches the amount of serum or plasma available, dead volume becomes a greater concern. This is particularly important when using small volume sample collection technologies or in pediatric samples where the amount of blood able to be drawn is more limited.

[0007] In cases where it is not possible to collect larger amounts of a blood specimen, one common technique to reduce the dead volume left when pipetting from a centrifuged specimen container is to pour the serum or plasma out of the centrifuged specimen tube, into a secondary specimen tube. Because the secondary specimen tube does not contain blood cells or gel separator, a pipette can safely dive to the bottom of the specimen tube and the serum or plasma can be extracted with a low dead volume. While this technique results in a low dead volume, there are several significant disadvantages. This technique consumes an additional specimen container, which results in added material costs. The step of pouring serum or plasma increases labor costs and introduces risk of human error. There is also a risk of specimen mix-up if the new specimen tube is not properly labeled.

[0008] In order to, *inter alia*, make a blood draw less invasive and decrease the costs of the running diagnostic tests, many companies are currently developing specimen collection and processing techniques based on smaller sample volumes than are collected by most labs today. In order to effectively run diagnostic tests using serum or plasma collected in small volumes, approaches are needed to minimize the loss of serum or plasma due to dead volume. This invention enables diagnostic laboratories to effectively run diagnostic tests using smaller blood specimens or run more tests with the same volume of blood specimen.

#### SUMMARY

[0009] Provided herein is a device for separating serum or plasma from blood cells in a whole blood specimen. The present invention uses a cap with a reservoir, such that blood cells are packed into the cap when a specimen tube is centrifuged with the capped end away from the axis of centrifugation. When the cap is removed, the blood cells are also removed, so that the serum or plasma is left in the specimen tube where it can be readily extracted by a pipette which is able to reach all the way to the bottom of the specimen tube minimizing the dead volume.

## BRIEF DESCRIPTION OF THE DRAWINGS

[00010] Figure 1A and 1B shows a cross-sectional view of the specimen tube and cap according to the invention.

[00011] Figure 2 shows a cross-sectional view of the specimen container according to the invention.

[00012] Figure 3A-3I depicts the methodology for separating serum or plasma from blood cells according to the invention.

[00013] Figure 4A and 4B depicts a preferred embodiment of the specimen container according to the present invention.

## DETAILED DESCRIPTION OF ILLUSTRATIVE EMBODIMENTS

[00014] Various terms relating to aspects of the description are used throughout the specification and claims. Such terms are to be given their ordinary meaning in the art unless otherwise indicated. Other specifically defined terms are to be construed in a manner consistent with the definitions provided herein.

[00015] As used in this specification and the appended claims, the singular forms “a,” “an,” and “the” include plural referents unless the content clearly dictates otherwise.

[00016] The term “about” as used herein when referring to a measurable value such as an amount and the like, is meant to encompass variations of up to  $\pm 30\%$  from the specified value, as such variations are appropriate to perform the disclosed methods. Unless otherwise indicated, all numbers expressing quantities of properties such as volume and so forth used in the specification and claims are to be understood as being modified in all instances by the term “about.” Accordingly, unless indicated to the contrary, the numerical parameters set forth in the following specification and attached claims are approximations that may vary depending upon the desired properties sought to be obtained by the present invention.

[00017] Figure 1 depicts a specimen tube, often called a test tube, in which a blood specimen is collected according to the present invention. The specimen tube 1 has a closed end 3, open end 4 and lateral wall(s) 2. The open end 4 enables a liquid specimen to be inserted into the specimen tube 1. The closed end 3 is shown in a preferred embodiment with a round bottom. Specimen tubes having a round or conical bottom are preferred as

they minimize dead volume when pipetting from the bottom of the specimen tube. While specimen tubes with round or conical bottoms are preferred, the bottom of the specimen tube can be any shape.

**[00018]** Figure 1B depicts a cap 10 to secure onto a specimen tube such as that shown in Figure 1A. The cap 10 has an open end 12, a closed end 13 and a lateral wall 14. The closed end 13 is closed by a surface 15. The cap 10 has a reservoir 16 which is formed when the cap 10 and specimen tube 1 are secured to form a specimen container comprising the specimen tube and the cap, as shown in Figure 2, where the volume of the reservoir 16 is defined as the maximum amount of liquid that can be contained in the cap 10 without coming into contact with the specimen tube 1. In order to remove the blood cells or other solids in the blood from the serum or plasma in accordance with the present invention, the volume of the reservoir 16 should be equal to or greater than the volume of the blood cells and other solids to be separated from the serum or plasma in the blood specimen. This will enable the blood cells and other solids to be removed when the cap 10 is removed from the specimen tube 1. In another embodiment, the cap is sized so that volume of the reservoir is equal to or greater than the volume of whole blood in the specimen tube. This design will decrease or eliminate the pressure on the seal between the specimen tube and the cap during centrifugation.

**[00019]** The specimen tube 1 and cap 10 have a mechanism by which the open end 4 of the specimen tube 1 may be secured with the open end 12 of the cap 10 to form a specimen container, such that the blood specimen is contained within the specimen tube 1 and the cap 10. The mechanism for securing the specimen tube 1 and the cap 10 can be any mechanism desired as long as the specimen tube and cap are secured to create a leak free fitting. It is important that the contents of the specimen container do not leak when the specimen container is oriented in any direction. Such mechanisms for securing the specimen tube to the cap can include an engineered fit or interference fit. A preferred engineered fit is a threaded connection 7 where the specimen tube and the cap both have screw threads that work to connect the specimen tube and the cap together as shown in the figures. Any other engineered fit can be used that creates a leak free locking mechanism. Alternatively, an interference fit can be used such that the specimen tube and the cap are secured by friction after the open end of the specimen tube and open end of the cap are

pushed together. For example, the cap can be a plug that is secured onto the open end of the specimen tube. Optionally, the joint between the specimen tube and the cap can be sealed using a gasket. The mechanism to secure the specimen tube and cap together is not limited to any particular mechanism and shall include any mechanism whereby the specimen tube and cap can be secured together to create a leak free specimen container.

[00020] Figures 3A-3I depict an embodiment of the inventive method to separate serum or plasma from a blood specimen and works as follows:

[00021] In Figure 3A an empty specimen tube 20 having a closed end 21, open end 22 and lateral wall(s) 23 is shown. Figure 3B shows the specimen tube 20 filled with a whole blood specimen 24 which was inserted through open end 22. In Figure 3C, a cap 30, such as that shown in Figure 1B, is secured to the open end 22 of the specimen tube 20. A specimen tube that is enclosed with a cap is referred to herein as a specimen container. The cap has an open end 32, a closed end 33 and a lateral wall 34. The cap 30 contains a separator 31.

[00022] For purposes of this invention, a separator is a device that is put into a specimen tube (or alternatively, into a cap) in order to ensure that after the specimen tube is centrifuged, there is a physical layer separating the serum or plasma from the blood cells and other solids. The separator is chosen such that it has a higher specific gravity than serum and/or plasma and lower specific gravity than blood cells and other solids in the blood to be removed. During centrifugation, the serum or plasma is separated from blood cells and any other solids in the blood by migrating closer to the axis of centrifugation because it has lower specific gravity. The blood cells (and other solids) migrate further away from the axis of centrifugation because they have higher specific gravity. The separator migrates to a level between the serum or plasma and the blood cells (and other solids), because it has intermediate specific gravity. The primary function of the separator is to maintain the purity of the serum or plasma by 1) preventing the serum or plasma from remixing with the blood cells, and 2) preventing the serum or plasma from becoming contaminated by the blood cells as they degrade.

[00023] A preferred separator is a thixotropic gel. This is a hydrophobic gel which is initially solid, but becomes liquefied during centrifugation so that it can migrate to form a layer between the serum or plasma and the blood cells (and other solids). A preferred thixotropic gel is a polyester based formulation, however any thixotropic gel can be used. Other nonlimiting examples are a mixture of silicon fluid and a hydrophobic powdered silica or a mixture of a hydrocarbon polymer and a powdered silica. Another preferred embodiment uses a thixotropic gel which is UV-curable in order to improve the strength of the barrier that is formed between the serum or plasma and the blood cells and other solids. Alternative types of separators include mechanical separators (e.g. elastomer barriers such as used in BD Barricor technology) and filter-based separators.

[00024] In the preferred embodiment shown in Figure 3A-3I, the separator 31 is a thixotropic gel. In Figure 3D, the specimen container is centrifuged while oriented such that the closed end 33 of the cap 30 is further away from the axis of centrifugation 38 than the closed end 21 of the specimen tube 20. During centrifugation, blood cells 40 and any other solids that have a greater specific gravity than serum or plasma migrate to the reservoir 35. Figure 3E shows the specimen container after it is centrifuged while oriented (in this case shown in an inverted orientation) so that the blood cells 40 migrate toward the closed end 33 of the cap 30 and into the reservoir 35. Due to the difference in specific gravity, the thixotropic gel separator 31 migrates above the blood cells 40 and forms a layer between the serum or plasma 42 and the blood cells 40. The serum or plasma 42 migrates above the thixotropic gel separator 31. In Figure F, the specimen container is orientated upright with the cap 30 above the specimen tube 20 such that gravity moves the serum or plasma 42 to the closed end 21 of the specimen tube 20. The thixotropic gel separator 31 remains in the cap 30 of the specimen container and keeps the blood cells 40 trapped within the cap 30. In Figure 3G, the cap 30 is removed from the specimen tube 20. The blood cells 40 and thixotropic gel separator 31 are also removed because they are contained within in the reservoir 35. The serum or plasma 42 is retained in the specimen tube 20. In Figure 3H, a pipette 50 is inserted into the specimen tube 20 to extract the serum or plasma 42. Because there are no blood cells and no separator in the specimen tube, the pipette is able to safely descend to the bottom of the specimen tube to extract the serum or plasma without risk of contacting any of the separator or blood cells. In Figure 3I, the pipette has extracted nearly all of the serum or plasma, while leaving a very small unusable dead volume. The

conventional method of separating serum or plasma from whole blood leaves the blood cells and separator at the bottom of the specimen tube, which results in significantly higher dead volume because the pipette must keep a safe distance from the separator and blood cells to ensure there is no contact. The invention achieves having a significantly smaller dead volume, without incurring the added cost and risk of pouring the serum or plasma into a secondary specimen tube.

**[00025]** An important element of the present invention is the cap design, which includes a reservoir large enough to contain the blood cells from the specimen along with any other solids or separator to be removed. The advantage of containing and capturing blood cells, other solids and any separator within the cap is that when the cap is removed, the blood cells and any other solids or separator are removed with the cap, leaving only serum or plasma in the specimen tube to be pipetted.

**[00026]** Another important element of the present invention is the technique of centrifuging the specimen container while oriented with the closed end of the cap further away from the axis of centrifugation than the closed end of the specimen tube. Centrifuging the specimen container with the closed end of the cap further way from the axis of centrifugation than the closed end of the specimen tube captures the blood cells, other solids and any separator in the reservoir in the cap. This enables the blood cells, other solids and any separator to be removed from the specimen when the cap is removed after centrifugation leaving just the serum or plasma in the specimen tube to be extracted for testing.

[00027] Figure 4A and 4B depict a preferred embodiment of the present invention. Figure 4A depicts a sample container 50 with cap 51 secured to sample tube 52. The cap 51 is secured by threaded connection 53 which secures to the internal threading of the sample tube 52. In this embodiment, the cap 51 is structured such that the reservoir 58 extends into the sample tube 52. The sample container 50 contains a whole blood specimen 54 and a thixotropic gel 55 as a separator. Figure 4A depicts the sample container prior to centrifugation. Figure 4B depicts the sample container after centrifugation and shows the blood cells and other solids 56 separated from the serum or plasma 57 by the thixotropic gel 55 which acts as a separator. The sample container was centrifuged with the closed end 61 of the cap 51 further away from the axis of centrifugation 38 than the closed end 62 of the specimen tube 52 so that the components of greater specific gravity (i.e. blood cells and any other solids to be removed from the whole blood specimen) moved to the closed end 61 of the cap 51. The thixotropic gel 55 separator which has a specific gravity intermediate to that of the blood cells and serum or plasma forms a layer between the blood cells and any other solids to be removed and the serum or plasma. The cap 51 can then be removed leaving only serum or plasma contained in the specimen tube.

[00028] While particular embodiments of the invention have been described and illustrated, it is not intended that the invention be limited thereto. It is intended that the invention be as broad in scope as the art will allow and that the disclosure herein be interpreted likewise.

[00029] Figure 1A shows a cylindrical specimen tube as is typically used to collect blood specimens, however the specimen tube need not be cylindrical in shape. The invention could apply to specimen tubes with any shape desired.

[00030] Figures 1A-B, 2, 3A-I, and 4A-B do not show the dimensions of the specimen container. Due to the applicability to small sample volumes, the size of the specimen container is preferably a micro-sample tube in the range of 0.1mL to 2.0mL. However, the invention is also applicable to larger conventional specimen tubes in the range of 2.0mL to 10.0mL or greater. The invention is not specific to any particular dimension of specimen container and can be applied to specimen tubes of any size.

[00031] Figure 1A shows the use of a specimen tube having a round closed end. This is a preferred embodiment because this geometry minimizes the dead volume for a conventional pipette. The invention is not specific to any particular shape of specimen tube or specimen container and can be applied to specimen tubes or specimen containers of any shape.

[00032] Figure 3B shows whole blood added to the specimen container while there is no cap on the specimen container. An alternate approach would be to add blood to the specimen container while the cap is attached. In this embodiment, the closed end of the cap would contain a pierceable material such that a cannula can be inserted through the closed end of the cap to insert a blood specimen into the specimen container. The pierceable material would need to be such that it will reseal so that the specimen container does not leak the blood specimen contained within. This is commonly done today using evacuated specimen tubes that have a cap with a septum that can be pierced with a needle. In such an embodiment, cap surface 15 in Figure 1B or at least part thereof would be made up a material capable of being punctured with a needle. The material should be self-sealable such that after it is punctured with a needle, it will reseal so that the specimen does not leak out of the cap.

[00033] This embodiment shall also embody any configuration wherein the closed end of the cap can be unsealed and resealed such that a cannula can insert blood through the closed end of the cap.

[00034] In another preferred embodiment, the volume inside the specimen container is evacuated. This causes the blood specimen to be pulled into the specimen container by air pressure.

[00035] The figures show the specimen container and cap having a screw-type connection in order to connect the cap to the top end of the specimen container. A screw-type connection is the preferred embodiment as it provides the most secure seal for centrifugation. However, the cap may be attached to the specimen container by a variety of methods. A few examples are provided but the invention should not be limited to the examples and should include any method for securing the cap to the specimen container. A stopper-type connection may be used, but extra sealing pressure may be required to be applied during centrifugation. A gasket between the tube and the cap may be useful in such an embodiment to improve the seal.

[00036] The preferred embodiment described and illustrated show the specimen tube and cap as standalone components. In another embodiment, the cap may be physically tethered to the specimen container so that they are always connected. Once the blood specimen is centrifuged to separate the serum or plasma from the blood cells and other solids, the cap should be able to be opened such that a pipette is able to be inserted into the specimen tube to pipette the serum or plasma or such that the serum or plasma can be poured out into a separate container such as a different specimen tube.

[00037] An alternative embodiment is to integrate the cap into another device. For example, a blood collection device with a threaded opening could act as the cap for a specimen tube. This blood collection device could have a dual function where it puts blood into the specimen tube and also acts as the cap.

[00038] An alternative embodiment is to have a single device which functions as multiple caps. For example, a single plastic device with multiple threaded openings could act as the cap for multiple specimen tubes, with each threaded opening having its own reservoir. What is essential is that each threaded opening, which acts as a cap, contains a reservoir large enough to hold the blood cells and any other solids or separator.

[00039] An alternative embodiment is to have a single device which functions as multiple specimen tubes. For example, a multi-well plate could act as multiple specimen tubes, with each well in the plate capable of being secured by a cap which contains a reservoir.

**[00040]** The preferred embodiments described and illustrated in Figures 3A-3I, 4A and 4B include the use of a thixotropic gel as a separator gel. This design is preferred as the gel provides a reliable barrier to prevent the blood cells from remixing with the serum or plasma. An alternative is to not use any separator and rely on the centrifugation to pack the blood cells tightly enough in the reservoir such that they remain in the cap after centrifugation and when the cap is removed.

**[00041]** Figure 3C shows the separator (e.g. a thixotropic gel) initially contained in the cap. This embodiment is preferred because it allows the specially designed cap to be used with commodity specimen tubes which do not contain a separator (e.g. a thixotropic gel). An alternative embodiment is to have the separator gel (e.g. a thixotropic gel) initially contained in the specimen tube.

**[00042]** Figure 3E shows that the size of the reservoir has been designed such that the maximum volume it can hold is the volume of blood cells plus the volume of the separator gel. This minimizes the size of the cap while still ensuring that the blood cells and separator gel will be fully contained within the cap. The cap must be of sufficient size so that the reservoir has a volume sufficient to hold the volume of blood cells plus the volume of any other solids such as the separator. An alternative embodiment is to size the reservoir such that its volume is equal to or greater than the specimen tube's volume. This would ensure that during centrifugation there is no pressure on the seal between the specimen tube and the cap.

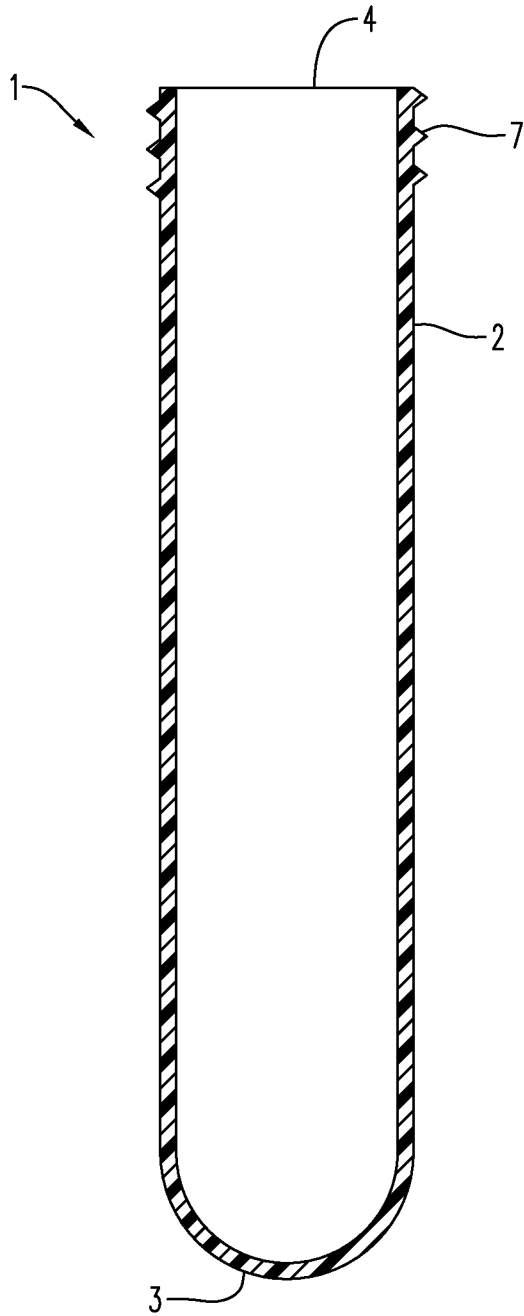
**[00043]** The preferred embodiment described and illustrated describe the separation of serum or plasma from whole blood. This implies the possible use of chemical additives to the whole blood. For instance, to separate serum, a clot activator such as silica may be used. To separate plasma, an anticoagulant such as lithium heparin or potassium EDTA can be used. This invention is not limited to the use of any particular additive.

## What is Claimed:

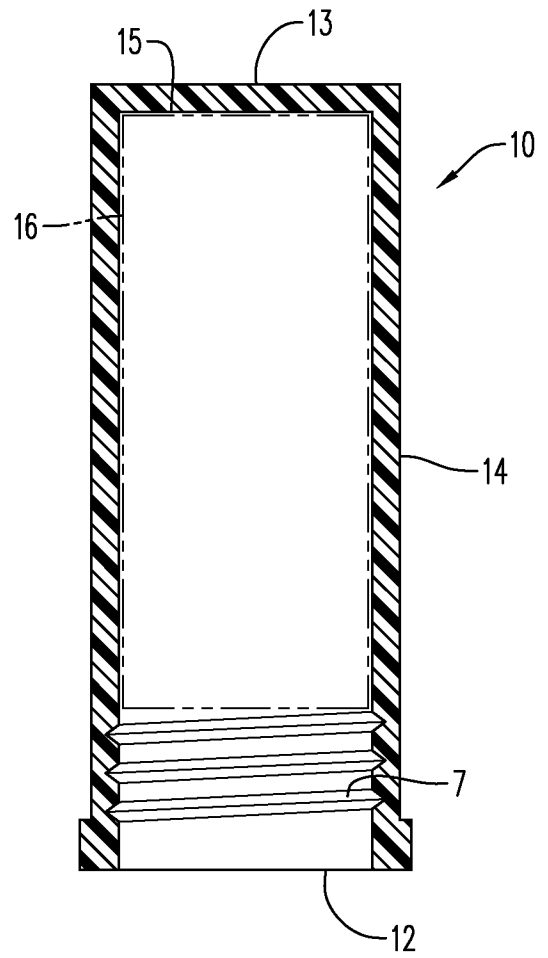
1. A specimen container for separating serum or plasma from blood cells in a blood specimen comprising:
  - a specimen tube having an open end, a closed end and lateral wall(s), wherein said open end enables a blood specimen to be inserted into the specimen tube;
  - a cap having an open end, a closed end and a lateral wall(s);
  - a mechanism by which the open end of the specimen tube is secured with the open end of the cap, such that the blood specimen is contained within the specimen tube and the cap;
  - a reservoir which is formed when the cap and specimen tube are secured together and the capped specimen tube is oriented with the closed end of the cap below the closed end of the specimen tube, where the volume of said reservoir is defined as the maximum amount of liquid that can be contained in the cap without coming into contact with the specimen tube;
  - wherein the volume of said reservoir is equal to or greater than the volume of the blood cells and other solids to be separated from the serum or plasma in the blood specimen.
2. A specimen container according to claim 1 where the cap contains a separator.
3. A specimen container according to claim 1 where the specimen tube contains a separator.
4. A specimen container according to claim 1 where the cap contains an additive.
5. A specimen container according to claim 1 where the specimen tube contains an additive.
6. A specimen container according to claim 1 where the closed end of the cap comprises a surface comprised at least partially of pierceable material through which a cannula can be inserted.

7. A specimen container according to claim 1 where the closed end of the cap can be unsealed and resealed.
8. A specimen container according to claim 1 where the specimen tube and the cap are tethered together.
9. A method of separating serum or plasma from a blood specimen comprising:
  - inserting a whole blood specimen into a specimen tube having an open end, a closed end and lateral wall(s), wherein said open end enables a blood specimen to be inserted into the specimen tube;
  - closing the open end of the specimen tube with a cap having an open end, a closed end and a lateral wall(s), thereby forming a specimen container comprising the specimen tube and cap having a reservoir which is formed when the cap and specimen tube are secured, where the volume of said reservoir is defined as the maximum amount of liquid that can be contained in the cap without coming into contact with the specimen tube and wherein the volume of said reservoir is equal to or greater than the volume of the blood cells and other solids to be separated from the serum or plasma in the blood specimen,
  - centrifuging the tube while it is oriented with the closed end of the cap further away from the axis of centrifugation than the closed end of the specimen tube so that blood cells and any other solids that have a greater specific gravity than serum or plasma migrate to the reservoir;
  - orienting the specimen container so that the closed end of the cap is oriented above the closed end of the specimen tube to enable gravity to move the serum or plasma into the specimen tube while the blood cells and any other solids that have a greater specific gravity than serum or plasma remain in the reservoir;
  - removing the cap from the specimen tube such that the blood cells and any other solids are also removed, and the serum or plasma is retained in the specimen tube.

10. A method of separating serum or plasma from a blood specimen comprising:
  - securing the open end of a specimen tube having an open end, a closed end and lateral wall(s) to the open end of a cap having an open end, a closed end having a surface comprising a pierceable material through which a cannula can be inserted or capable of being unsealed and resealed, and a lateral wall(s), thereby forming a specimen container comprising the specimen tube and cap having a reservoir which is formed when the cap and specimen tube are secured, where the volume of said reservoir is defined as the maximum amount of liquid that can be contained in the cap without coming into contact with the specimen tube and wherein the volume of said reservoir is equal to or greater than the volume of the blood cells and other solids to be separated from the serum or plasma in the blood specimen,
  - inserting a whole blood specimen into the specimen container using a cannula that is inserted through the closed end of the cap;
  - centrifuging the tube while it is oriented with the closed end of the cap further away from the axis of centrifugation than the closed end of the specimen tube so that blood cells and any other solids that have a greater specific gravity than serum or plasma migrate to the reservoir;
  - orienting the specimen container so that the closed end of the cap is oriented above the closed end of the specimen tube to enable gravity to move the serum or plasma into the specimen tube while the blood cells and any other solids that have a greater specific gravity than serum or plasma remain in the reservoir;
  - removing the cap from the specimen tube such that the blood cells and any other solids are also removed, and the serum or plasma is retained in the specimen tube.

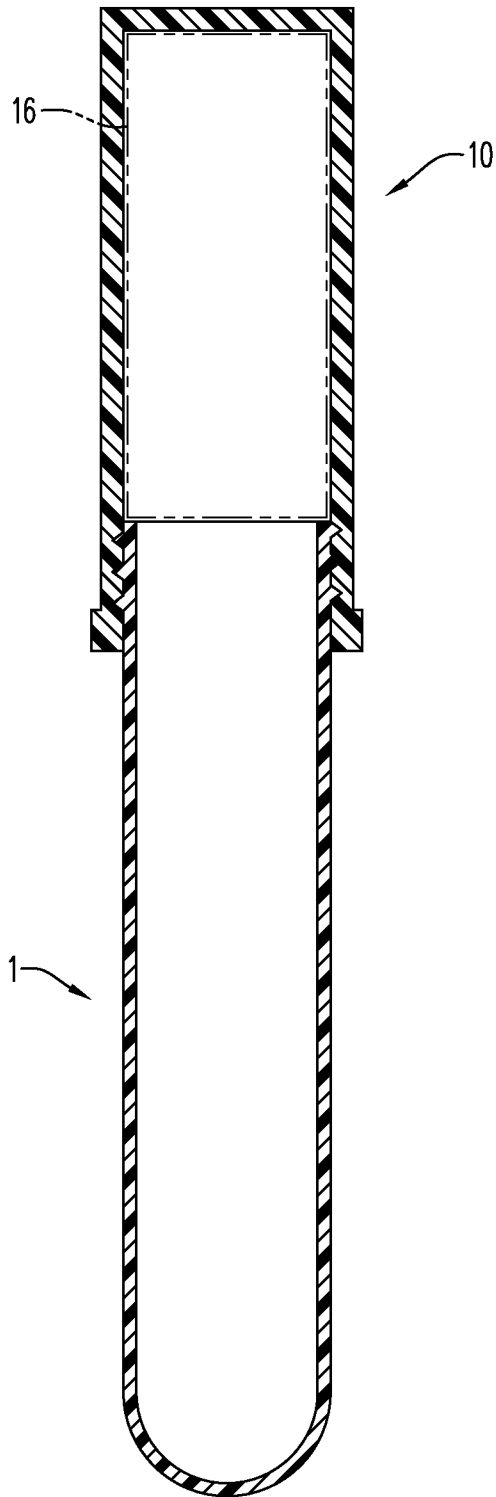


**FIG. 1A**



**FIG. 1B**

2/5



**FIG. 2**

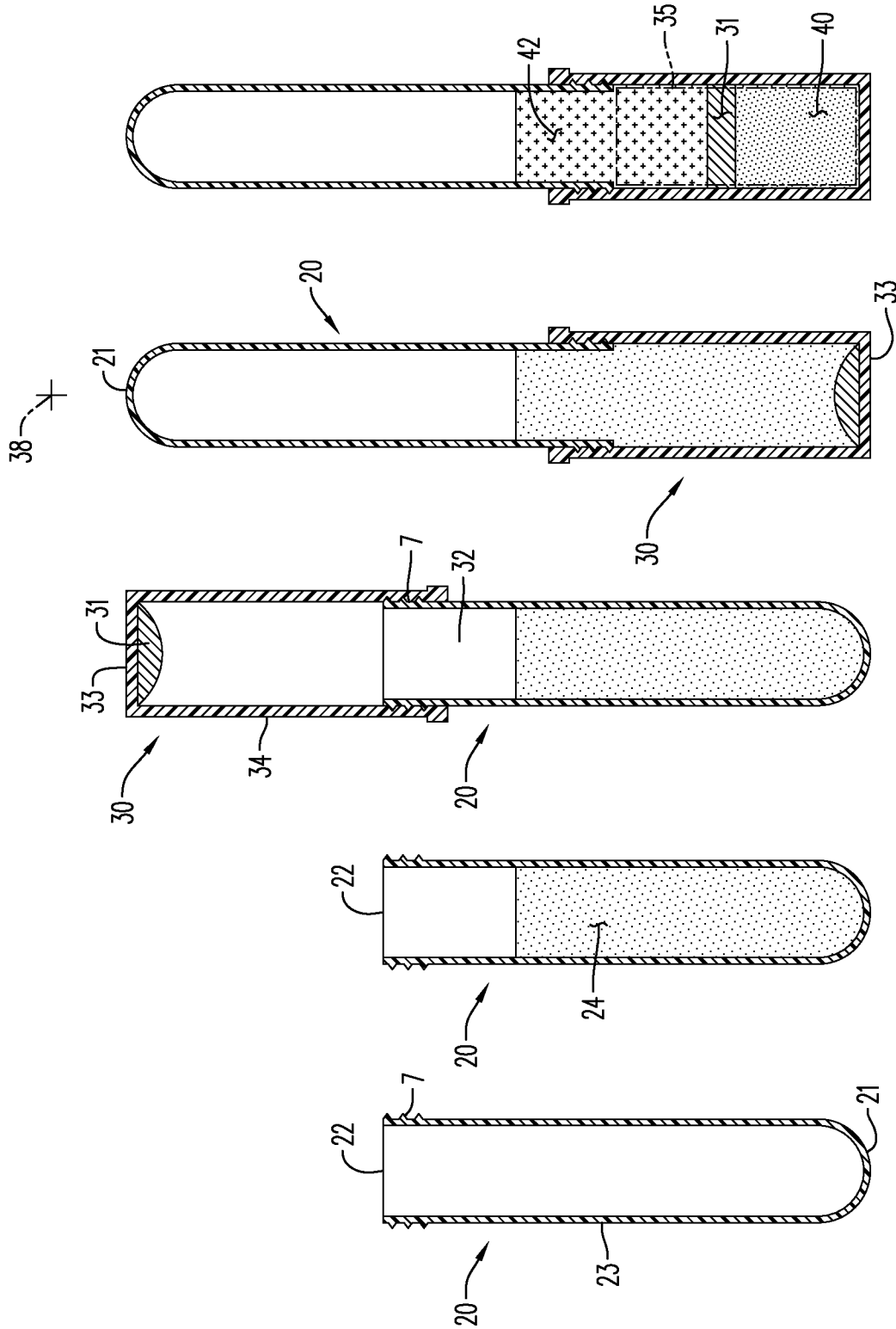


FIG. 3A FIG. 3B FIG. 3C FIG. 3D FIG. 3E

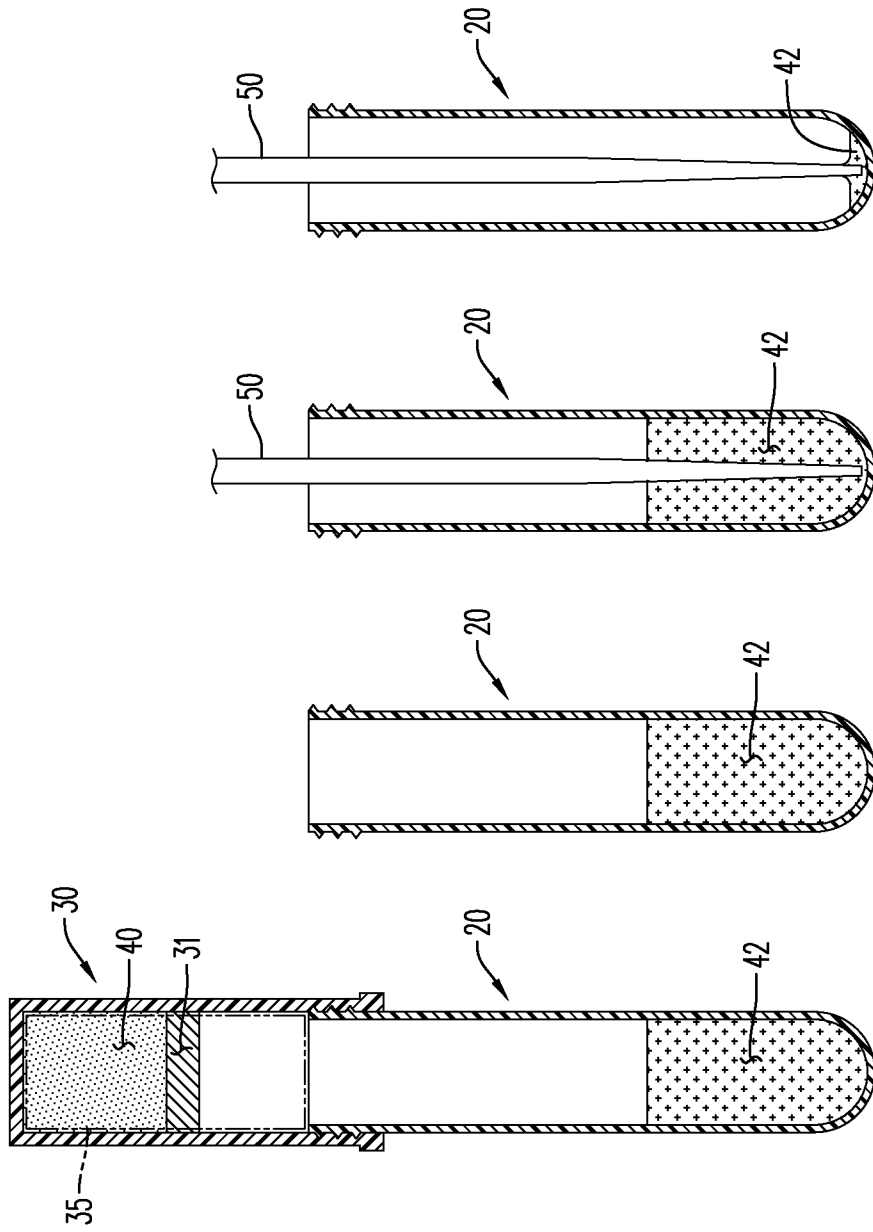
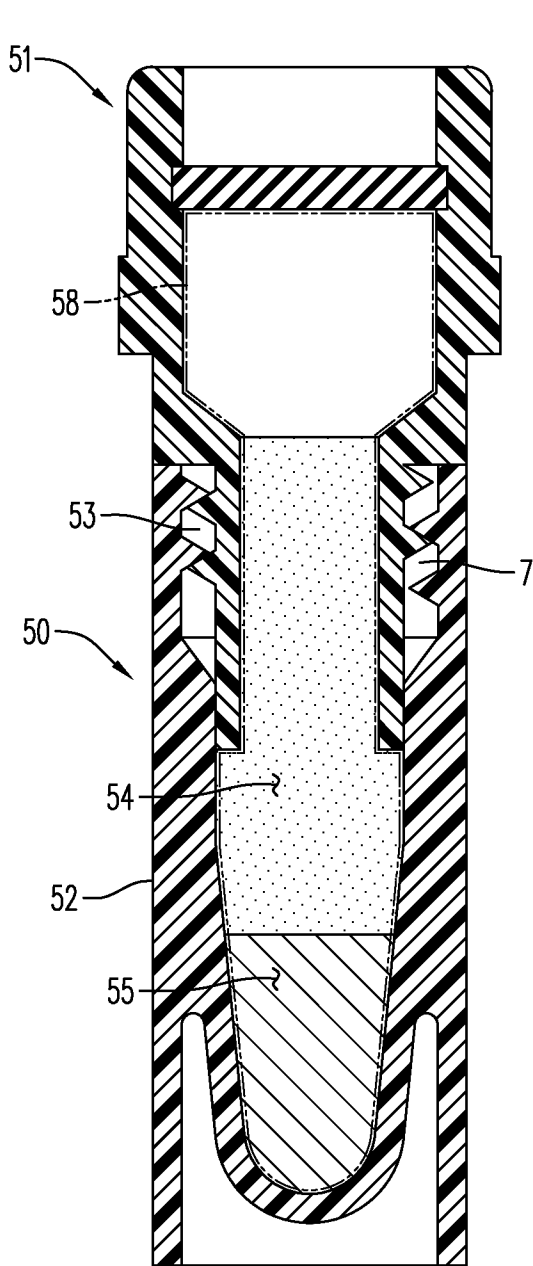
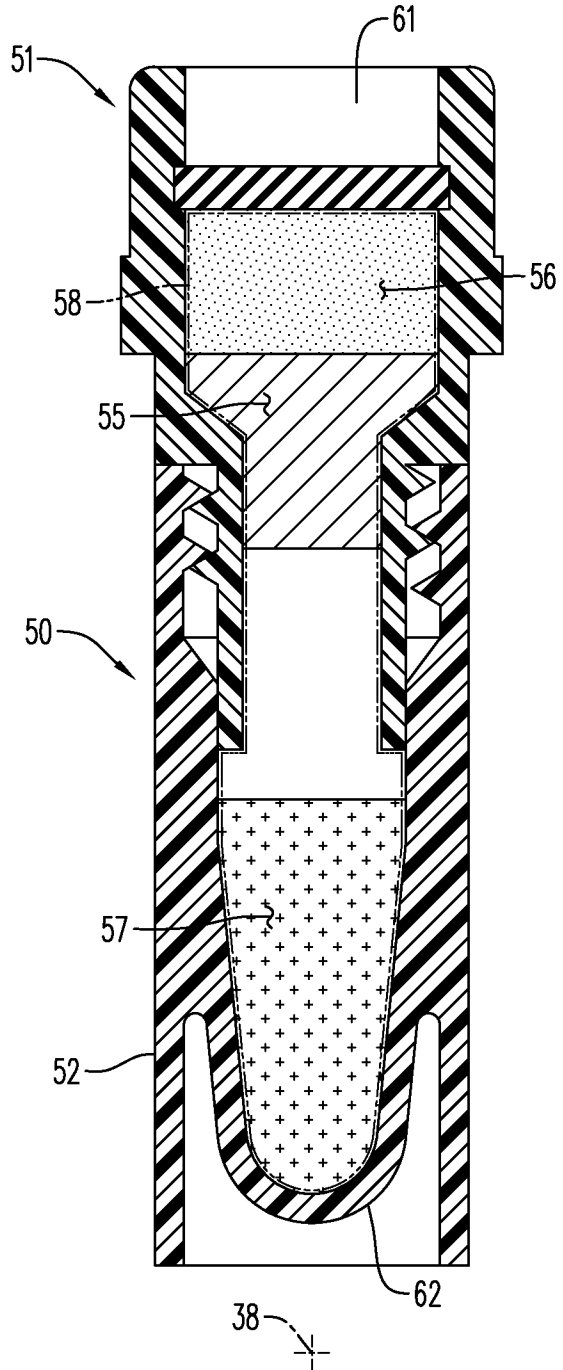


FIG. 3F FIG. 3G FIG. 3H FIG. 3I



**FIG. 4A**



**FIG. 4B**

## INTERNATIONAL SEARCH REPORT

International application No.

PCT/US 16/66236

<b>A. CLASSIFICATION OF SUBJECT MATTER</b> IPC(8) - A61B 5/15, 10/00; B01L 3/14; B65D 39/04 (2017.01) CPC - A61B 5/15, 15/150351 According to International Patent Classification (IPC) or to both national classification and IPC		
<b>B. FIELDS SEARCHED</b> Minimum documentation searched (classification system followed by classification symbols) IPC(8) - A61B 5/15, 10/00; B01L 3/14; B65D 39/04 (2017.01) CPC - A61B 5/15, 15/150351 Documentation searched other than minimum documentation to the extent that such documents are included in the fields searched CPC - A61B 5/14, 5/150007, 15/150206, 15/150251, 15/150267, 15/150343, 15/150755, 10/00, 10/0096; B01L 3/14, 3/5082, 3/50825; B65D 39/04 Electronic data base consulted during the international search (name of data base and, where practicable, search terms used) Patbase; Google Patents; Google Scholar; Google Web; Espacenet; Search Terms: additive*, anticoag*, blood*, buffer*, cap, cells, centrifug*, closure*, connect*, container*, coup*, cover*, elongat*, fill*, half*, halv*, interior*, pierc*, plasma*, ample*, screen*, screw*, separator*, serum*, solids, specimen*, test-tube*, thread*, vial*, volume*		
<b>C. DOCUMENTS CONSIDERED TO BE RELEVANT</b>		
Category*	Citation of document, with indication, where appropriate, of the relevant passages	Relevant to claim No.
X — Y	US 6,132,353 A (Winkelman et al.) 17 October 2000 (17.10.2000), Figs. 1 and 8, col. 5, ln. 35-47	1 and 8-9 — 2-7 and 10
Y	US 2008/0213877 A1 (Hicko) 01 September 2008 (01.09.2008), Fig. 1, para [0021]	2-3
Y	US 5,975,313 A (Sarstedt) 02 November 1999 (02.11.1999), Figs. 1-2, col. 2, ln. 47-62	4, 6-7 and 10
Y	US 5,501,841 A (Lee et al.) 26 March 1996 (26.03.1996), Fig. 2, col. 5, ln. 27-34	5
A	US 2014/0241957 A1 (Serhan et al.) 28 August 2014 (28.08.2014), Figs. 1-2, para [0031]-[0033]	1-10
A	US 2012/0048002 A1 (Mallet) 01 March 2012 (01.03.2012), Figs. 1 and 4A-4E, para [0046]-[0048]	1-10
A	US 2005/0014273 A1 (Dahm et al.) 20 January 2005 (20.01.2005), Fig. 2, para [0127]-[0134]	1-10
<input type="checkbox"/> Further documents are listed in the continuation of Box C. <input type="checkbox"/>		
* Special categories of cited documents: "A" document defining the general state of the art which is not considered to be of particular relevance "E" earlier application or patent but published on or after the international filing date "L" document which may throw doubts on priority claim(s) or which is cited to establish the publication date of another citation or other special reason (as specified) "O" document referring to an oral disclosure, use, exhibition or other means "P" document published prior to the international filing date but later than the priority date claimed "T" later document published after the international filing date or priority date and not in conflict with the application but cited to understand the principle or theory underlying the invention "X" document of particular relevance; the claimed invention cannot be considered novel or cannot be considered to involve an inventive step when the document is taken alone "Y" document of particular relevance; the claimed invention cannot be considered to involve an inventive step when the document is combined with one or more other such documents, such combination being obvious to a person skilled in the art "&" document member of the same patent family		
Date of the actual completion of the international search 31 January 2017		Date of mailing of the international search report <b>03 MAR 2017</b>
Name and mailing address of the ISA/US Mail Stop PCT, Attn: ISA/US, Commissioner for Patents P.O. Box 1450, Alexandria, Virginia 22313-1450 Facsimile No. 571-273-8300		Authorized officer: Lee W. Young PCT Helpdesk: 571-272-4300 PCT OSP: 571-272-7774