



- (51) International Patent Classification:
H02K 3/12 (2006.01)
- (21) International Application Number:
PCT/SI2012/000022
- (22) International Filing Date:
4 April 2012 (04.04.2012)
- (25) Filing Language: English
- (26) Publication Language: English
- (30) Priority Data:
P-201100123 5 April 2011 (05.04.2011) SI
- (71) Applicant (for all designated States except US):
ELAPHE, podjetje za razvoj in prodajo električnih vozil ter ener iskih virov d.o.o. [SI/SI]; Teslova ulica 30, 1000 Ljubljana (SI).
- (72) Inventors; and
- (75) Inventors/Applicants (for US only): **DETELA, Andrej** [SI/SI]; Gregorciceva 17, 1000 Ljubljana (SI). **LAMPIČ Gorazd** [SI/SI]; Lozarjeva 14, 1231 Ljubljana (SI).
- (74) Agent: **ITEM d.o.o.**; Resljeva 16, 1000 Ljubljana (SI).
- (81) Designated States (unless otherwise indicated, for every kind of national protection available): AE, AG, AL, AM, AO, AT, AU, AZ, BA, BB, BG, BH, BR, BW, BY, BZ,

CA, CH, CL, CN, CO, CR, CU, CZ, DE, DK, DM, DO, DZ, EC, EE, EG, ES, FI, GB, GD, GE, GH, GM, GT, HN, HR, HU, ID, IL, IN, IS, JP, KE, KG, KM, KN, KP, KR, KZ, LA, LC, LK, LR, LS, LT, LU, LY, MA, MD, ME, MG, MK, MN, MW, MX, MY, MZ, NA, NG, NI, NO, NZ, OM, PE, PG, PH, PL, PT, QA, RO, RS, RU, RW, SC, SD, SE, SG, SK, SL, SM, ST, SV, SY, TH, TJ, TM, TN, TR, TT, TZ, UA, UG, US, UZ, VC, VN, ZA, ZM, ZW.

(84) Designated States (unless otherwise indicated, for every kind of regional protection available): ARIPO (BW, GH, GM, KE, LR, LS, MW, MZ, NA, RW, SD, SL, SZ, TZ, UG, ZM, ZW), Eurasian (AM, AZ, BY, KG, KZ, MD, RU, TJ, TM), European (AL, AT, BE, BG, CH, CY, CZ, DE, DK, EE, ES, FI, FR, GB, GR, HR, HU, IE, IS, IT, LT, LU, LV, MC, MK, MT, NL, NO, PL, PT, RO, RS, SE, SI, SK, SM, TR), OAPI (BF, BJ, CF, CG, CI, CM, GA, GN, GQ, GW, ML, MR, NE, SN, TD, TG).

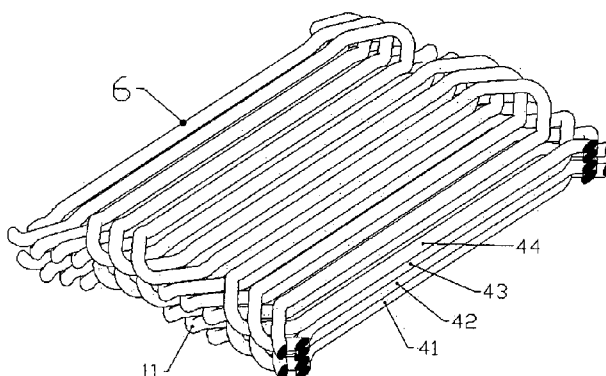
Published:

- with international search report (Art. 21(3))
- before the expiration of the time limit for amending the claims and to be republished in the event of receipt of amendments (Rule 48.2(h))

(88) Date of publication of the international search report:
3 October 2013

(54) Title: COMPACT MULTIPHASE WAVE WINDING OF A HIGH SPECIFIC TORQUE ELECTRIC MACHINE

Figure 8



(57) Abstract: The invention is the compact multiphase wave winding of a high specific torque electric machine. The invention is the compact multiphase wave winding (6) of the electric machine. Winding (6) is filling the slots (5) of the stator ferromagnetic core (3) and comprise one or multiple layers (40). Winding (6) fills the slots (5). Winding comprise N or a multiple of N conductors (8), where N represents the number of winding phases. Conductor (8) comprises or is assembled by parallel straight segments (10) and winding overhangs (11). Between the two straight segments (10) of one conductor (8) there are N teeth (4) and N-1 slots (5) or N+1 teeth (4) and N slots (5). Straight segments are connected by winding overhangs which shape in tangential axial plane differs from less than one sixth of magnetic period (7) from ellipse shape with one axis equal to half of magnetic period (7) and other axis length between half and three quarters of magnetic period (7) length.



INTERNATIONAL SEARCH REPORT

International application No
PCT/SI2012/000022

A. CLASSIFICATION OF SUBJECT MATTER
INV. H02K3/12
ADD.

According to International Patent Classification (IPC) or to both national classification and IPC

B. FIELDS SEARCHED
Minimum documentation searched (classification system followed by classification symbols)
H02K

Documentation searched other than minimum documentation to the extent that such documents are included in the fields searched

Electronic data base consulted during the international search (name of data base and, where practicable, search terms used)
EPO-Internal, WPI Data

C. DOCUMENTS CONSIDERED TO BE RELEVANT

| Category* | Citation of document, with indication, where appropriate, of the relevant passages | Relevant to claim No. |
|-----------|----------------------------------------------------------------------------------------------------------------------------------------------|-----------------------|
| X | EP 2 124 317 A1 (DENSO CORP [JP]) 25 November 2009 (2009-11-25) abstract; figures ----- | 1-9,11, 12 |
| X | EP 1 179 880 A2 (MITSUBISHI ELECTRIC CORP [JP]) 13 February 2002 (2002-02-13) abstract; figures ----- | 1,4 |
| X | US 2006/226727 A1 (BRAMSON ERIC D [US] ET AL BRAMSON ERIC DAVID [US] ET AL) 12 October 2006 (2006-10-12) abstract; figures ----- | 1 |
| X | EP 1 381 140 A2 (DENSO CORP [JP]) 14 January 2004 (2004-01-14) abstract; figures ----- | 1,10 |
| | ----- -/-- | |

Further documents are listed in the continuation of Box C.

See patent family annex.

* Special categories of cited documents :

| | |
|---------------------------------------------------------------------------------------------------------------------------------------------------------------------------------------------------------------------------------------------------------------------------------------------------------------------------------------------------------------------------------------------------------------------------------------------------------------------------------------------------------------------------------------------------------------------------------------------------|-----------------------------------------------------------------------------------------------------------------------------------------------------------------------------------------------------------------------------------------------------------------------------------------------------------------------------------------------------------------------------------------------------------------------------------------------------------------------------------------------------------------------------------------------------------------------------------------------------------------------------------------------------------------------------------------------------------------|
| <p>"A" document defining the general state of the art which is not considered to be of particular relevance</p> <p>"E" earlier application or patent but published on or after the international filing date</p> <p>"L" document which may throw doubts on priority claim(s) or which is cited to establish the publication date of another citation or other special reason (as specified)</p> <p>"O" document referring to an oral disclosure, use, exhibition or other means</p> <p>"P" document published prior to the international filing date but later than the priority date claimed</p> | <p>"T" later document published after the international filing date or priority date and not in conflict with the application but cited to understand the principle or theory underlying the invention</p> <p>"X" document of particular relevance; the claimed invention cannot be considered novel or cannot be considered to involve an inventive step when the document is taken alone</p> <p>"Y" document of particular relevance; the claimed invention cannot be considered to involve an inventive step when the document is combined with one or more other such documents, such combination being obvious to a person skilled in the art</p> <p>"&" document member of the same patent family</p> |
|---------------------------------------------------------------------------------------------------------------------------------------------------------------------------------------------------------------------------------------------------------------------------------------------------------------------------------------------------------------------------------------------------------------------------------------------------------------------------------------------------------------------------------------------------------------------------------------------------|-----------------------------------------------------------------------------------------------------------------------------------------------------------------------------------------------------------------------------------------------------------------------------------------------------------------------------------------------------------------------------------------------------------------------------------------------------------------------------------------------------------------------------------------------------------------------------------------------------------------------------------------------------------------------------------------------------------------|

| | |
|-------------------------------------------------------------------------------|----------------------------------------------------------------------|
| Date of the actual completion of the international search 18 July 2013 | Date of mailing of the international search report 31/07/2013 |
|-------------------------------------------------------------------------------|----------------------------------------------------------------------|

| | |
|----------------------------------------------------------------------------------------------------------------------------------------------------------------------|------------------------------------------|
| Name and mailing address of the ISA/ European Patent Office, P.B. 5818 Patentlaan 2 NL - 2280 HV Rijswijk Tel. (+31-70) 340-2040, Fax: (+31-70) 340-3016 | Authorized officer Ramos, Horacio |
|----------------------------------------------------------------------------------------------------------------------------------------------------------------------|------------------------------------------|

INTERNATIONAL SEARCH REPORT

International application No
PCT/SI2012/000022

| C(Continuation). DOCUMENTS CONSIDERED TO BE RELEVANT | | |
|------------------------------------------------------|---------------------------------------------------------------------------------------------------------------------------------|-----------------------|
| Category* | Citation of document, with indication, where appropriate, of the relevant passages | Relevant to claim No. |
| X | WO 2006/065988 A2 (BOREALIS TECH LTD [US]; EDELSON JONATHAN [US]) 22 June 2006 (2006-06-22) abstract; figures ----- | 1 |
| X | GB 2 411 774 A (UNIQUE PRODUCT & DESIGN CO LTD [TW]) 7 September 2005 (2005-09-07) abstract; figures ----- | 1 |
| X | US 2004/239202 A1 (DOOLEY KEVIN ALLAN [CA]) 2 December 2004 (2004-12-02) abstract; figures ----- | 1 |

INTERNATIONAL SEARCH REPORT

Information on patent family members

International application No

PCT/SI2012/000022

| Patent document cited in search report | Publication date | Patent family member(s) | Publication date | |
|----------------------------------------|------------------|-------------------------|------------------|------------|
| EP 2124317 | A1 | 25-11-2009 | CN 101689777 A | 31-03-2010 |
| | | | EP 2124317 A1 | 25-11-2009 |
| | | | JP 4688003 B2 | 25-05-2011 |
| | | | JP 4911439 B2 | 04-04-2012 |
| | | | JP 4911440 B2 | 04-04-2012 |
| | | | JP 4911441 B2 | 04-04-2012 |
| | | | JP 2009112186 A | 21-05-2009 |
| | | | JP 2010119294 A | 27-05-2010 |
| | | | JP 2010119295 A | 27-05-2010 |
| | | | JP 2010119296 A | 27-05-2010 |
| | | | KR 20090118085 A | 17-11-2009 |
| | | | US 2010141078 A1 | 10-06-2010 |
| | | | US 2012007462 A1 | 12-01-2012 |
| EP 1179880 | A2 | 13-02-2002 | DE 60131505 T2 | 25-09-2008 |
| | | | EP 1179880 A2 | 13-02-2002 |
| | | | JP 3621635 B2 | 16-02-2005 |
| | | | JP 2002058189 A | 22-02-2002 |
| | | | KR 20020013696 A | 21-02-2002 |
| | | | US 2002017825 A1 | 14-02-2002 |
| US 2006226727 | A1 | 12-10-2006 | NONE | |
| EP 1381140 | A2 | 14-01-2004 | DE 10326095 A1 | 15-04-2004 |
| | | | EP 1381140 A2 | 14-01-2004 |
| | | | US 2003230949 A1 | 18-12-2003 |
| | | | US 2006033394 A1 | 16-02-2006 |
| WO 2006065988 | A2 | 22-06-2006 | GB 2436268 A | 19-09-2007 |
| | | | US 2008129137 A1 | 05-06-2008 |
| | | | WO 2006065988 A2 | 22-06-2006 |
| GB 2411774 | A | 07-09-2005 | NONE | |
| US 2004239202 | A1 | 02-12-2004 | CA 2524302 A1 | 09-12-2004 |
| | | | EP 1627460 A1 | 22-02-2006 |
| | | | JP 2006529076 A | 28-12-2006 |
| | | | US 2004239202 A1 | 02-12-2004 |
| | | | US 2004239203 A1 | 02-12-2004 |
| | | | US 2005242785 A1 | 03-11-2005 |
| | | | US 2007024249 A1 | 01-02-2007 |
| | | | WO 2004107540 A1 | 09-12-2004 |