



US00D765331S

(12) **United States Design Patent** (10) **Patent No.:** **US D765,331 S**
Chei et al. (45) **Date of Patent:** **** Aug. 30, 2016**

(54) **FLOOR CLEANING DEVICE** 2009/0320231 A1 * 12/2009 Rosenzweig A47L 13/22
15/339
(71) Applicant: **Euro-Pro Operating LLC**, Newton, MA (US) 2012/0195674 A1 * 8/2012 Mandle A47L 13/12
401/138
2013/0167319 A1 * 7/2013 Tang A47L 13/225
15/320

(72) Inventors: **Junghwan Chei**, Chestnut Hill, MA (US); **Scott B Niedzwecki**, Walpole, MA (US)

(Continued)

FOREIGN PATENT DOCUMENTS

(73) Assignee: **SharkNinja Operating LLC**, Newton, MA (US)

CN 301826896 * 2/2012
CN 302387310 * 4/2013
CN 302738945 * 2/2014

(**) Term: **14 Years**

OTHER PUBLICATIONS

(21) Appl. No.: **29/525,441**

Amazon.com—Shark Steam and Spray PRO Mop, online, website copyright 2016, http://www.amazon.com/Shark-Steam-Spray-PRO-SS460WM/dp/B018MPPM9H6/ref=sr_1_96?s=vacuums&ie=UTF8&qid=1459215568&sr=1-96&keywords=steam+mop, [site visited Mar. 28, 2016 9:45:31 PM].*

(22) Filed: **Apr. 29, 2015**

Amazon.com—Bissell Steam Mop Hard-Floor Cleaner, online, review date Nov. 2, 2009, http://www.amazon.com/Bissell-Steam-Hard-Floor-Cleaner-1867-7/dp/B000RPVHZU/ref=sr_1_57?s=vacuums&ie=UTF8&qid=1459206024&sr=1-57&keywords=shark+steam+mop, [site visited Mar. 28, 2016 7:02:03 PM].*

(51) **LOC (10) Cl.** **04-01**

(52) **U.S. Cl.**

USPC **D32/45**

(58) **Field of Classification Search**

USPC D32/38-40, 45, 50-52, 71-72

CPC A47L 13/22-13/26; A47L 13/254;

A47L 9/00

(Continued)

See application file for complete search history.

Primary Examiner — John Windmuller

Assistant Examiner — John R Yeh

(56) **References Cited**

U.S. PATENT DOCUMENTS

(74) *Attorney, Agent, or Firm* — Ntellect Law, P.C.

(57) **CLAIM**

The ornamental design for a floor cleaning device, as shown and described.

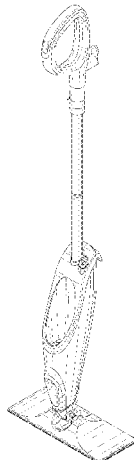
D458,427 S * 6/2002 Kunkler D32/45
D548,909 S * 8/2007 Murray D32/45
D591,921 S * 5/2009 Rosenzweig D32/45
D657,516 S * 4/2012 McGee D32/45
D657,518 S * 4/2012 McGee D32/45
D658,835 S * 5/2012 Houghton D32/45
D659,924 S * 5/2012 McGee D32/45
D660,533 S * 5/2012 Hill D32/22
D673,337 S * 12/2012 Chow D32/45
8,425,137 B1 * 4/2013 Sampaio A47L 13/22
401/139

DESCRIPTION

D685,557 S * 7/2013 Rosenzweig D32/45
D685,967 S * 7/2013 Houghton D32/45
D699,011 S * 2/2014 deBlois D32/45
D707,002 S * 6/2014 Hughes D32/45
D747,054 S * 1/2016 Seifts D32/45
2004/0071490 A1 * 4/2004 Vosbikian A47L 13/12
401/49

FIG. 1 is a perspective view of a floor cleaning device in accordance with our new design;
FIG. 2 is a front elevational view thereof;
FIG. 3 is a rear elevational view thereof;
FIG. 4 is a left side elevational view thereof;
FIG. 5 is a right side elevational view thereof;
FIG. 6 is a top plan view thereof; and,
FIG. 7 is a bottom plan view thereof.
The broken lines in the drawings represent portions of the floor cleaning device that form no part of the claimed design.

1 Claim, 4 Drawing Sheets



US D765,331 S

Page 2

(56)

References Cited

U.S. PATENT DOCUMENTS

2013/0232719 A1* 9/2013 Luedke A47L 13/225
15/320
2015/0082566 A1* 3/2015 Davidshofer A47L 13/12
15/118
2015/0183108 A1* 7/2015 Thorne B25G 1/06
15/144.1

2016/0051116 A1* 2/2016 Charlton A47L 13/254
239/1

OTHER PUBLICATIONS

Amazon.com : O-Cedar Ultra Max Mop & Bucket Kit, online,
review date May 2, 2015, http://www.amazon.com/O-Cedar-Ultra-Max-Mop-Bucket/dp/B00TUEVY7K/ref=cm_cr_ar_p_d_product_top?ie=UTF8, [site visited Mar. 30, 2016 3:30:58 PM].*

* cited by examiner

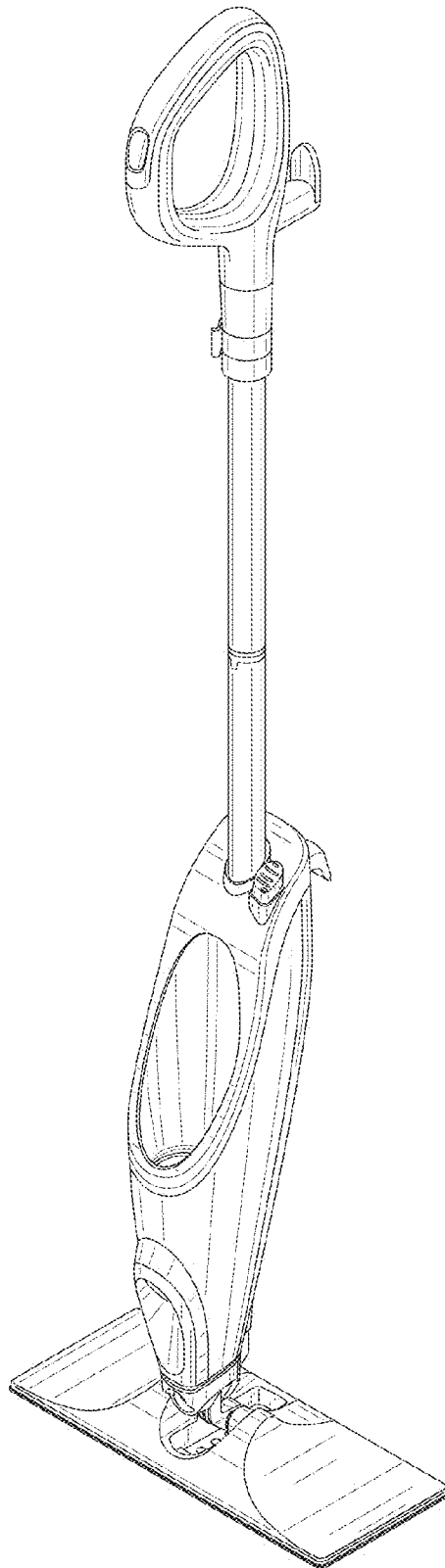


FIG. 1

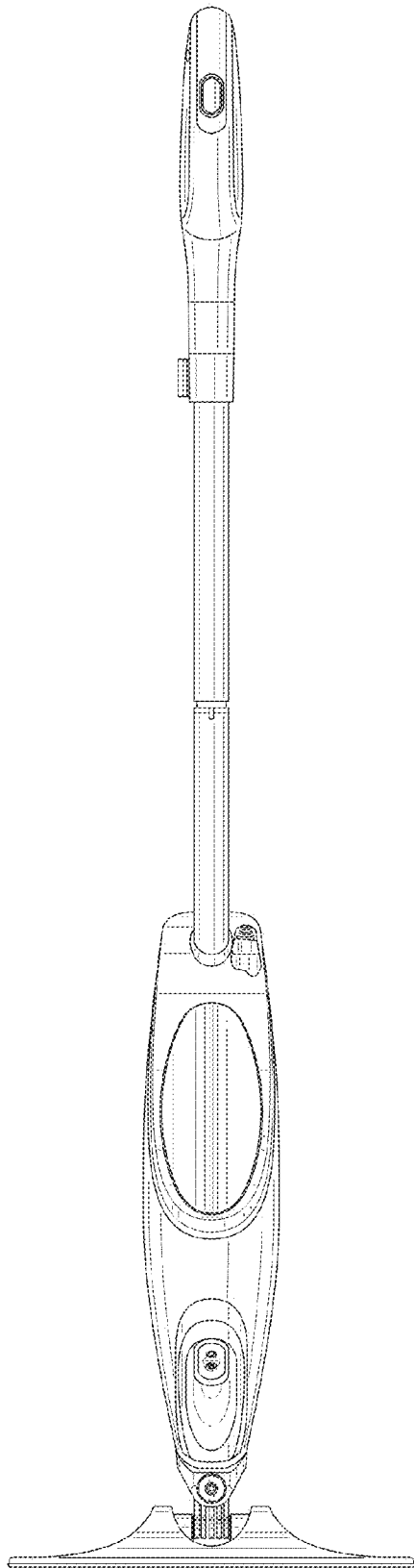


FIG. 2

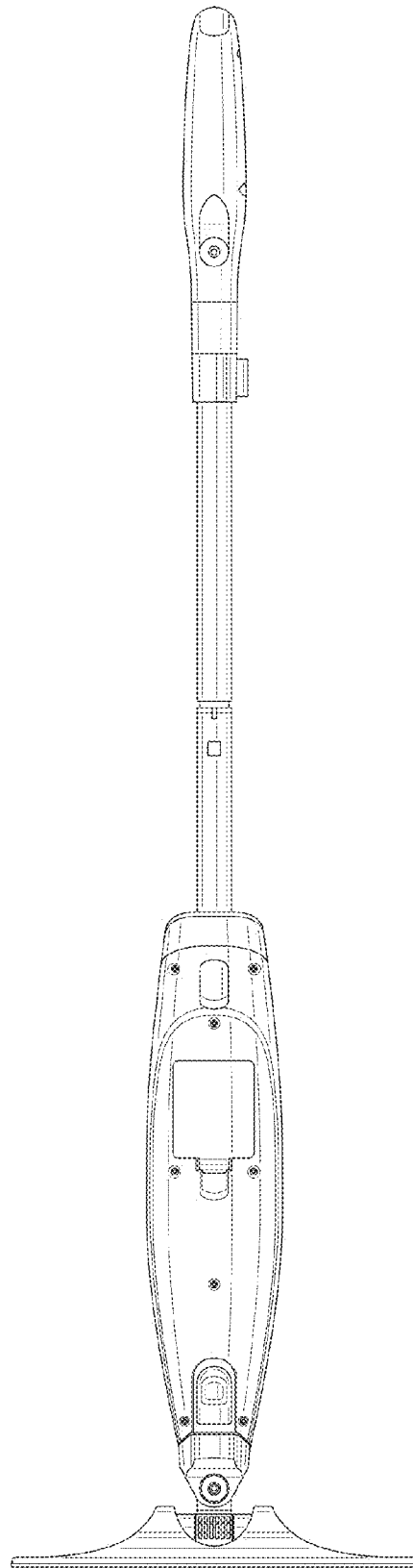


FIG. 3

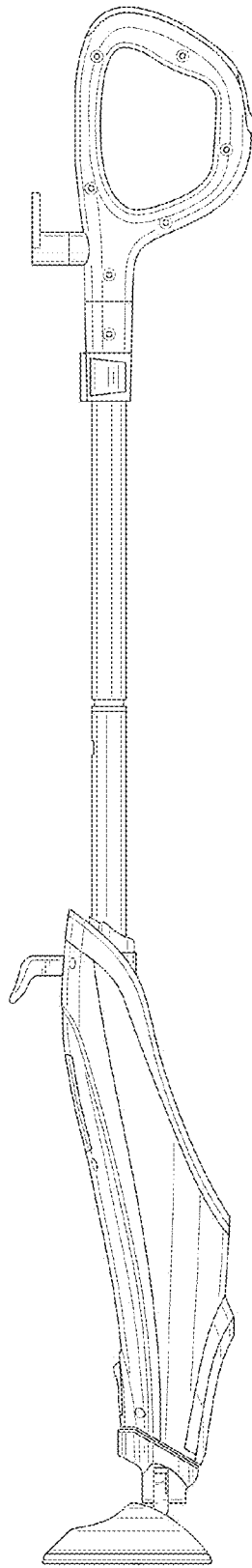


FIG. 4

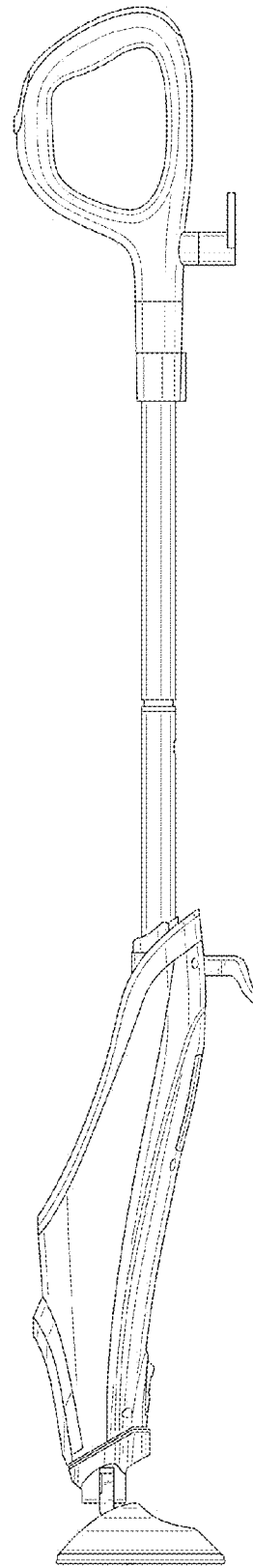


FIG. 5

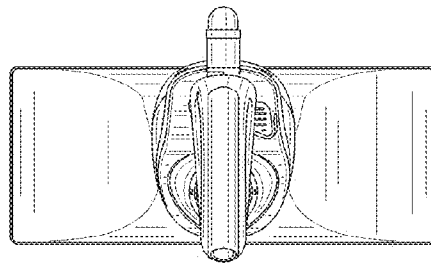


FIG. 6

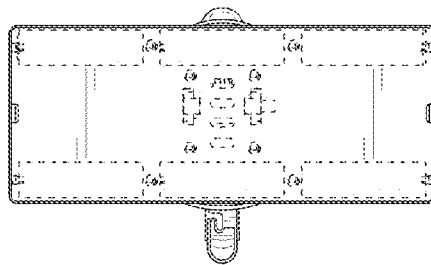


FIG. 7