

Sept. 28, 1937.

H. SCHOENFELD

Des. 106,261

HANDBAG

Filed Sept. 4, 1937

Fig. 1

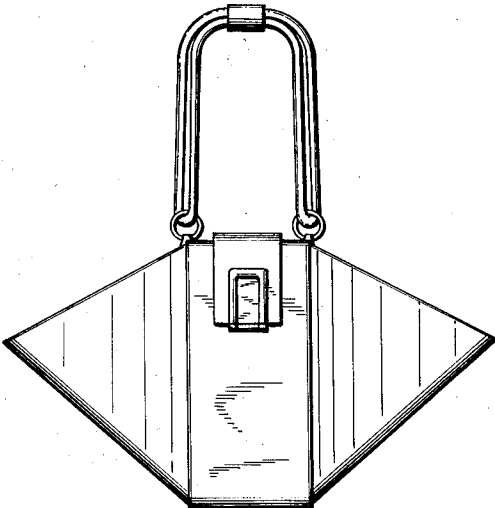


Fig. 2

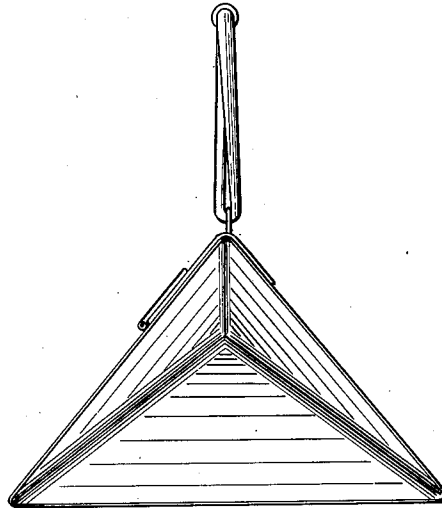
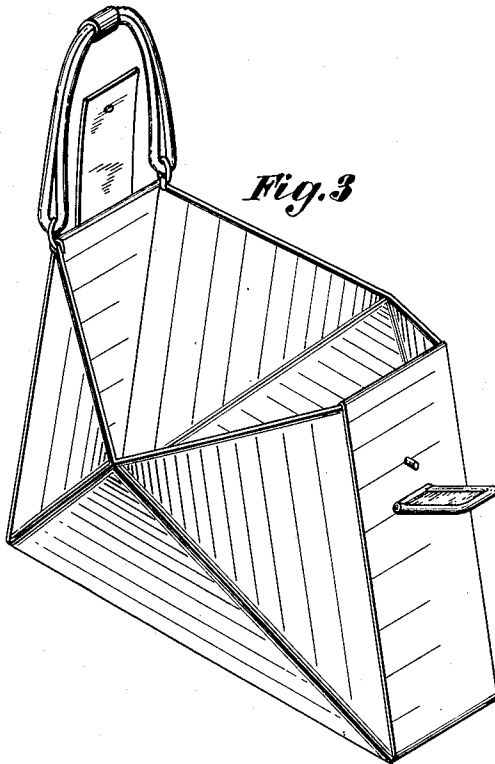


Fig. 3



Harry Schoenfeld ^{INVENTOR.}
BY Miss Schumacher
ATTORNEY.

UNITED STATES PATENT OFFICE

106,261

DESIGN FOR A HANDBAG

Harry Schoenfeld, Hewlett, N. Y.

Application September 4, 1937, Serial No. 71,480

Term of patent 3½ years

To all whom it may concern:

Be it known that I, Harry Schoenfeld, a citizen of the United States, and resident of Hewlett, Long Island, in the county of Nassau and State of New York, have invented a new, original, and ornamental Design for Handbags, of which the following is a specification, reference being had to the accompanying drawing, forming a part

thereof, and of which Figure 1 is a front elevation, Fig. 2 is an end elevation, and Fig. 3 is a perspective view in open position of a handbag, showing my new design.

I claim:

The ornamental design for a handbag, substantially as shown.

HARRY SCHOENFELD.