



US0D1027489S

(12) **United States Design Patent**
Platner et al.

(10) **Patent No.:** **US D1,027,489 S**

(45) **Date of Patent:** **** May 21, 2024**

- (54) **BATH TOY CADDY**
- (71) Applicant: **Target Brands, Inc.**, Minneapolis, MN (US)
- (72) Inventors: **Sarah N. Platner**, St. Anthony, MN (US); **Kaitlin N. Vang**, Ham Lake, MN (US)
- (73) Assignee: **Target Brands, Inc.**, Minneapolis, MN (US)
- (**) Term: **15 Years**

D552,916 S *	10/2007	Bodum	D7/316
D566,361 S	4/2008	Snell	
D592,434 S	5/2009	Thompson et al.	
D593,796 S *	6/2009	Kevan	D7/400
D602,731 S	10/2009	Mankowitz	
D615,819 S *	5/2010	Wang Chen	D7/533
D618,675 S	6/2010	Thompson et al.	
D623,900 S *	9/2010	Wolhendler	D7/533
D624,341 S	9/2010	Noren et al.	
D636,201 S	4/2011	Kolano et al.	
D674,224 S	1/2013	Connelly et al.	
D751,931 S	3/2016	Van Den Bergh et al.	
D762,386 S *	8/2016	Sakaguchi	D3/304
D762,981 S	8/2016	Sakaguchi et al.	
2018/0194519 A1	7/2018	McGowan et al.	

- (21) Appl. No.: **29/782,410**
- (22) Filed: **May 6, 2021**
- (51) **LOC (14) Cl.** **03-01**
- (52) **U.S. Cl.**
USPC **D3/304; D6/525**
- (58) **Field of Classification Search**
USPC D3/304-315; D34/1; D6/512, 513, 524, D6/525, 527; D7/300, 302, 303, 316, D7/317, 318, 319, 396.2, 399, 536; D23/209
CPC A47K 3/001; B65D 11/00; B65D 13/00; B65D 25/52
See application file for complete search history.

* cited by examiner

Primary Examiner — Nathan M Johnston
(74) *Attorney, Agent, or Firm* — Leanne Taveggia Farrell; Westman, Champlin & Koehler, P.A.

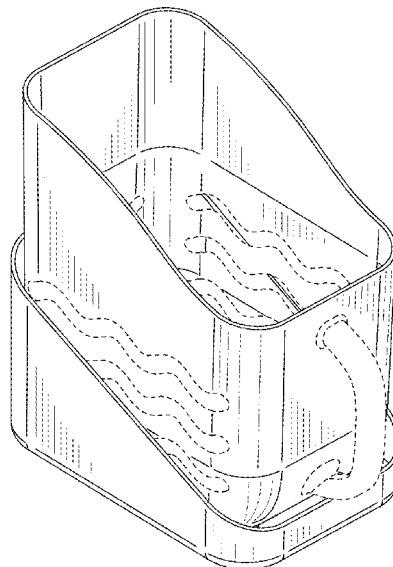
(57) **CLAIM**
The ornamental design for a bath toy caddy, as shown and described.

DESCRIPTION

FIG. 1 is a rear perspective view of a bath toy caddy showing our new design;
FIG. 2 is a front perspective view thereof;
FIG. 3 is a left side view thereof, the right side view being a mirror image;
FIG. 4 is a front view thereof;
FIG. 5 is a rear view thereof;
FIG. 6 is a top view thereof;
FIG. 7 is a bottom view thereof; and,
FIG. 8 is a section view thereof taken through the section line indicated in FIG. 4.
The broken lines shown in the drawings are included for purposes of illustrating portions of the bath toy caddy and form no part of the claimed design.

- (56) **References Cited**
U.S. PATENT DOCUMENTS
D180,587 S * 7/1957 Dube D7/319
D190,594 S * 6/1961 Hutzler D7/319
D250,869 S * 1/1979 Boelter D7/319
D285,515 S * 9/1986 Papciak D7/509
D287,324 S * 12/1986 Schmidt D10/46.2
D389,006 S * 1/1998 Demore D7/319
D400,926 S * 11/1998 Stravitz D6/683
D406,478 S * 3/1999 Rahman D6/683
D481,894 S 11/2003 Hunt
D538,535 S 3/2007 Boutin

1 Claim, 8 Drawing Sheets



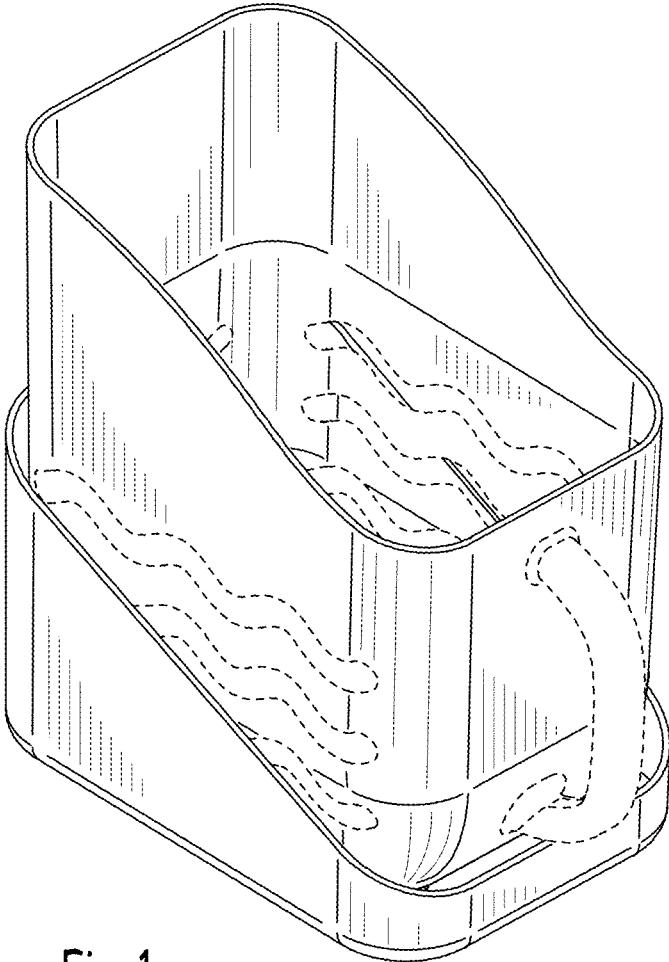


Fig. 1

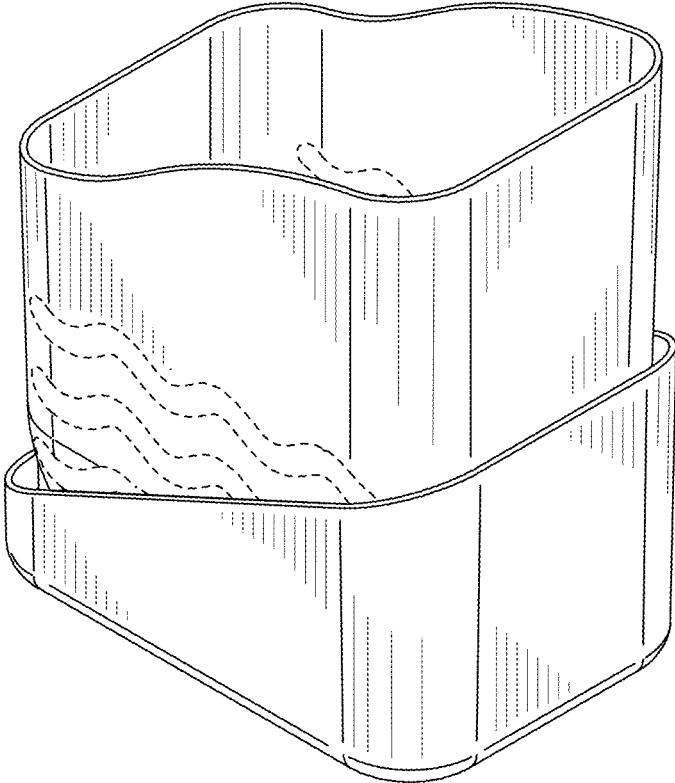


Fig. 2

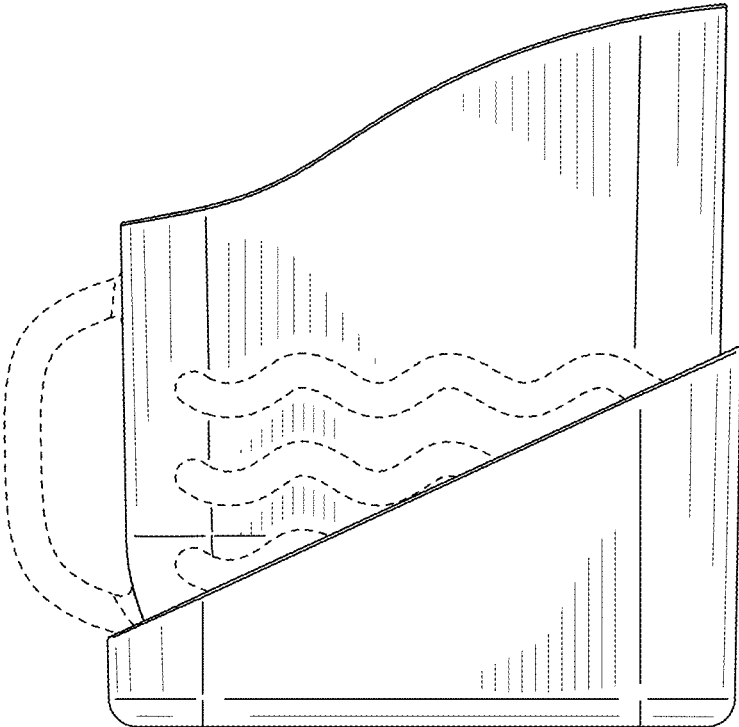


Fig. 3

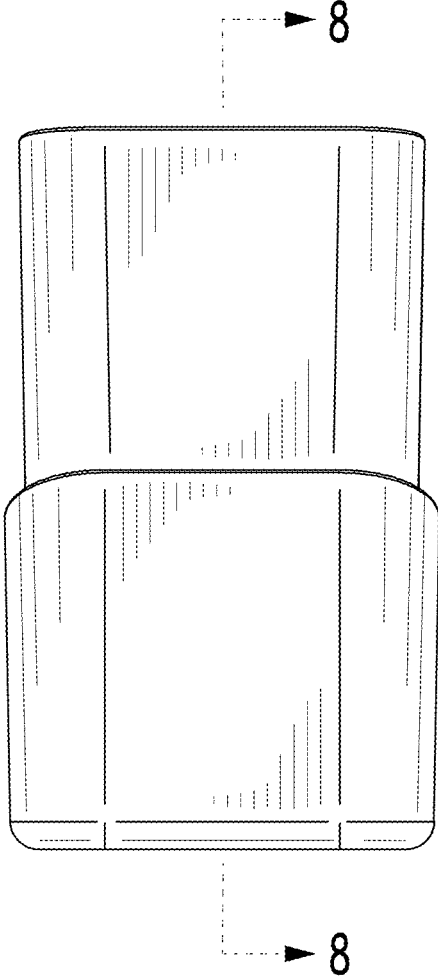


Fig. 4

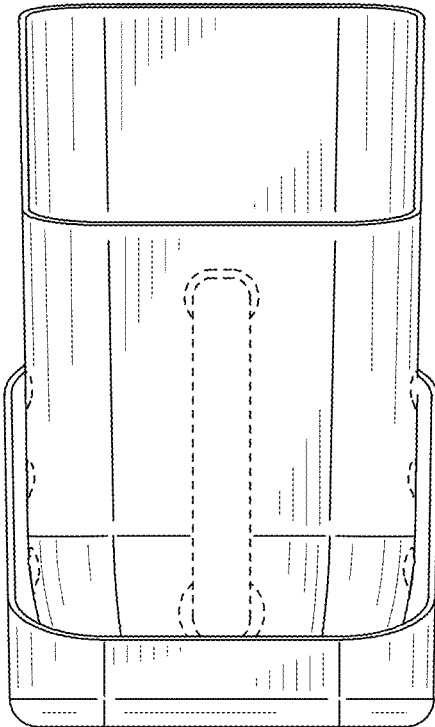


Fig. 5

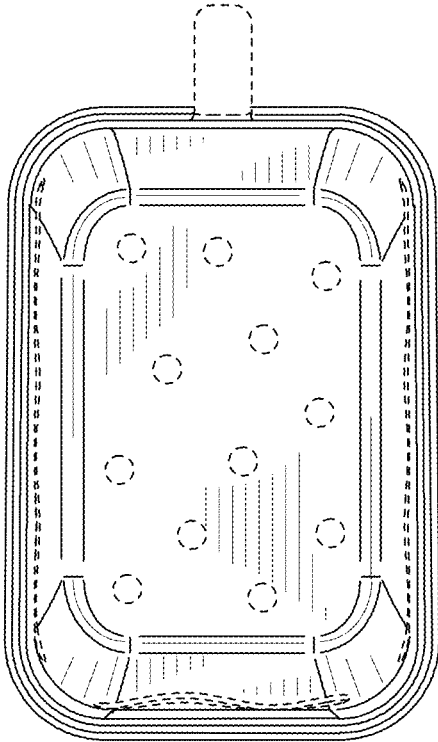


Fig. 6

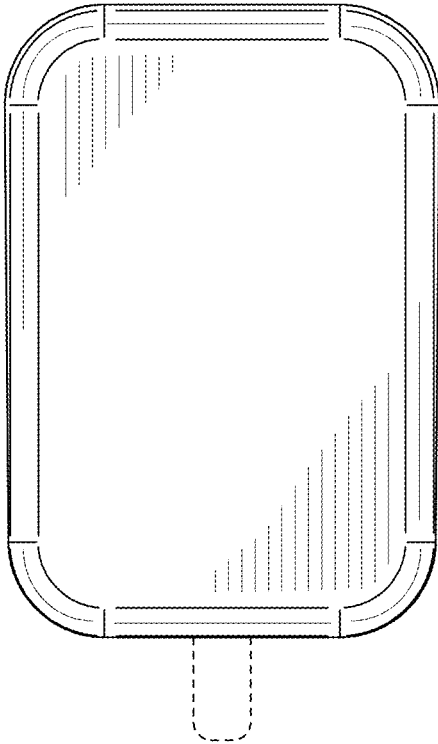


Fig. 7

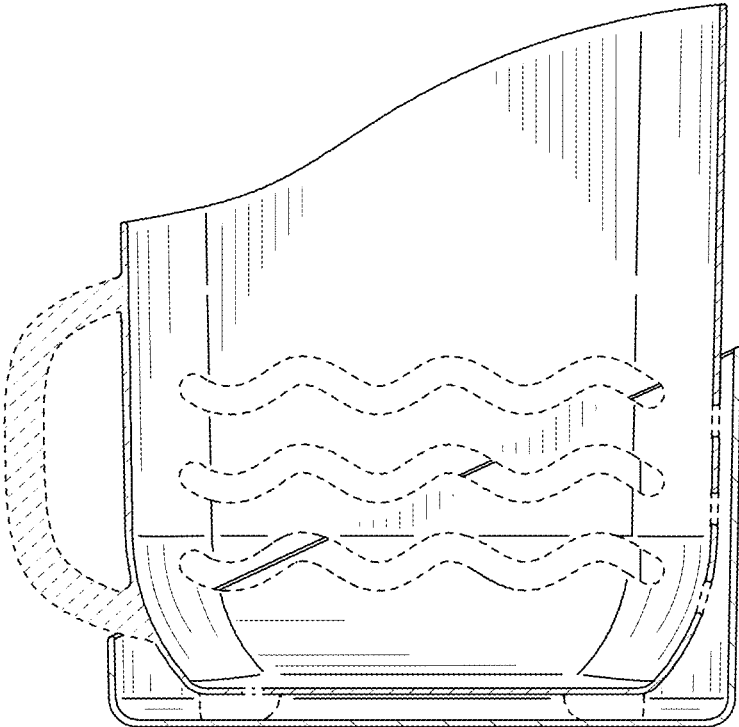


Fig. 8