



US00D628648S

(12) **United States Design Patent**
Chan

(10) **Patent No.:** **US D628,648 S**

(45) **Date of Patent:** **** Dec. 7, 2010**

(54) **PAPER PUNCH**

(75) Inventor: **Stephen Kwok Ki Chan**, Kowloon (HK)

(73) Assignee: **Lee Tack Plastic & Metal Manufactory Ltd.**, New Territories, Hong Kong SAR (CN)

(**) Term: **14 Years**

(21) Appl. No.: **29/354,320**

(22) Filed: **Jan. 22, 2010**

(30) **Foreign Application Priority Data**

Jan. 21, 2010 (HK) 1000129

(51) **LOC (9) Cl.** **19-02**

(52) **U.S. Cl.** **D19/72**

(58) **Field of Classification Search** D8/98;
D19/72; 30/358; 83/167, 588, 618, 620,
83/633, 684, 686, 698.1
See application file for complete search history.

(56) **References Cited**

U.S. PATENT DOCUMENTS

| | | | | |
|--------------|---------|------------|-------|--------|
| D407,752 S * | 4/1999 | Kim et al. | | D19/72 |
| D420,049 S * | 2/2000 | Robillard | | D19/72 |
| RE38,219 E * | 8/2003 | Lee et al. | | 83/588 |
| D482,584 S * | 11/2003 | Racamier | | D8/50 |
| D482,729 S * | 11/2003 | Chi Kuo | | D19/72 |
| D491,230 S * | 6/2004 | Lee | | D19/72 |
| D499,449 S * | 12/2004 | Chan | | D19/72 |

| | | | | |
|-------------------|---------|-------------------|-------|--------|
| D501,884 S * | 2/2005 | Davies et al. | | D19/72 |
| D516,397 S * | 3/2006 | Kent et al. | | D8/50 |
| D529,094 S * | 9/2006 | Weng | | D19/72 |
| D529,095 S * | 9/2006 | Tou | | D19/72 |
| D533,229 S * | 12/2006 | Tou | | D19/72 |
| D587,542 S * | 3/2009 | Miyagi | | D8/50 |
| D587,976 S * | 3/2009 | Cunningham et al. | | D8/50 |
| D605,226 S * | 12/2009 | Nishimura | | D19/72 |
| 7,739,936 B2 * | 6/2010 | Chan | | 83/447 |
| 2005/0039590 A1 * | 2/2005 | Weng | | 83/684 |

* cited by examiner

Primary Examiner—Elizabeth A Albert

(74) *Attorney, Agent, or Firm*—Leydig, Voit & Mayer, Ltd.

(57) **CLAIM**

The ornamental design for a paper punch, as shown and described.

DESCRIPTION

FIG. 1 is a front, left side and top perspective view of a paper punch showing my new design;

FIG. 2 is a rear, right side and top perspective view thereof;

FIG. 3 is a top plan view thereof;

FIG. 4 is a bottom plan view thereof;

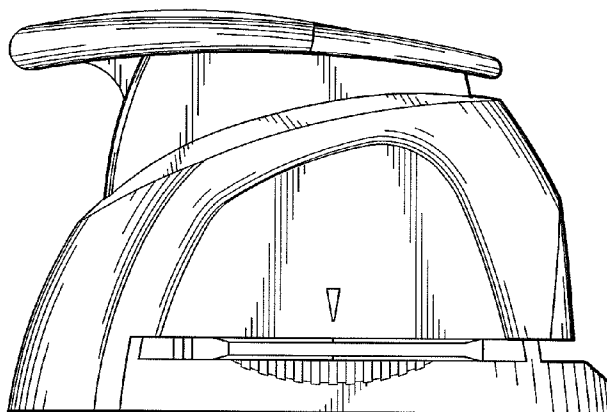
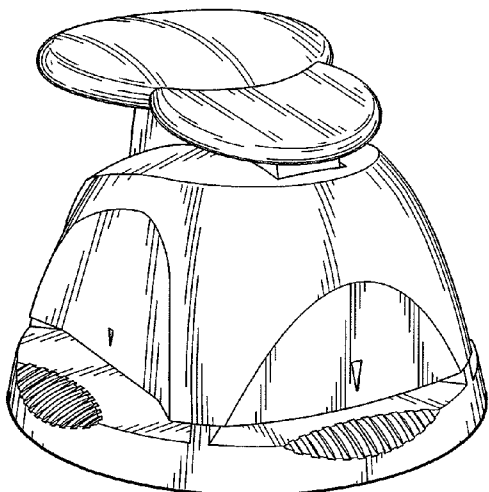
FIG. 5 is a rear elevational view thereof;

FIG. 6 is a front elevational view thereof;

FIG. 7 is a right side elevational view thereof; and,

FIG. 8 is a left side elevational view thereof.

1 Claim, 4 Drawing Sheets



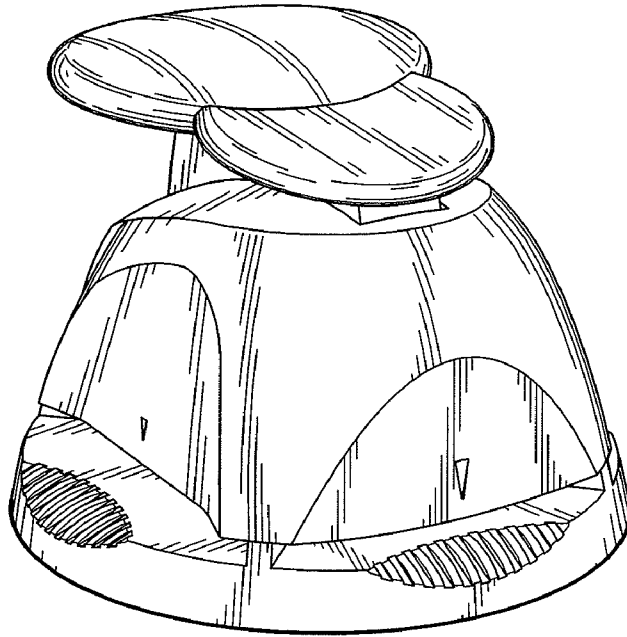


FIG. 1

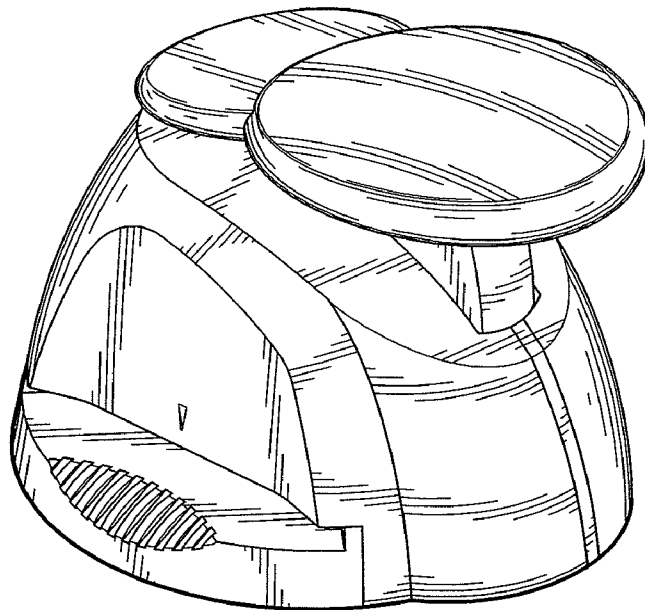


FIG. 2

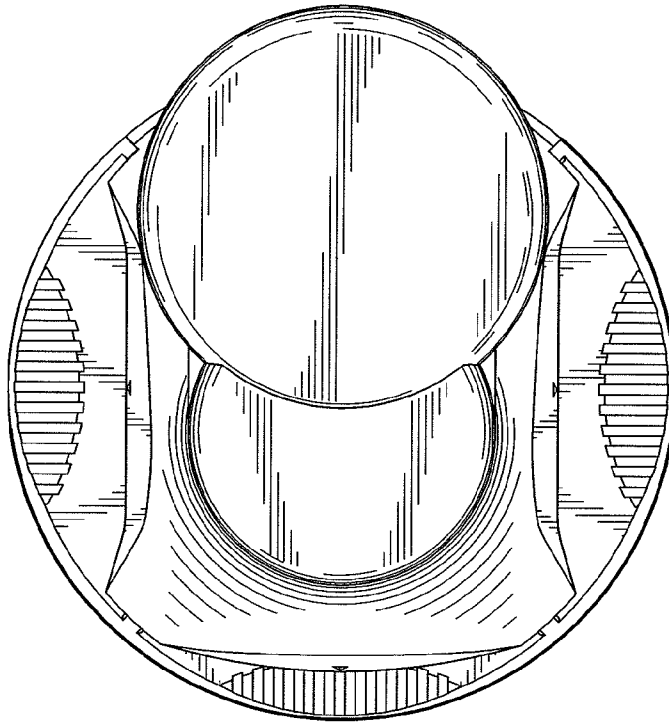


FIG.3

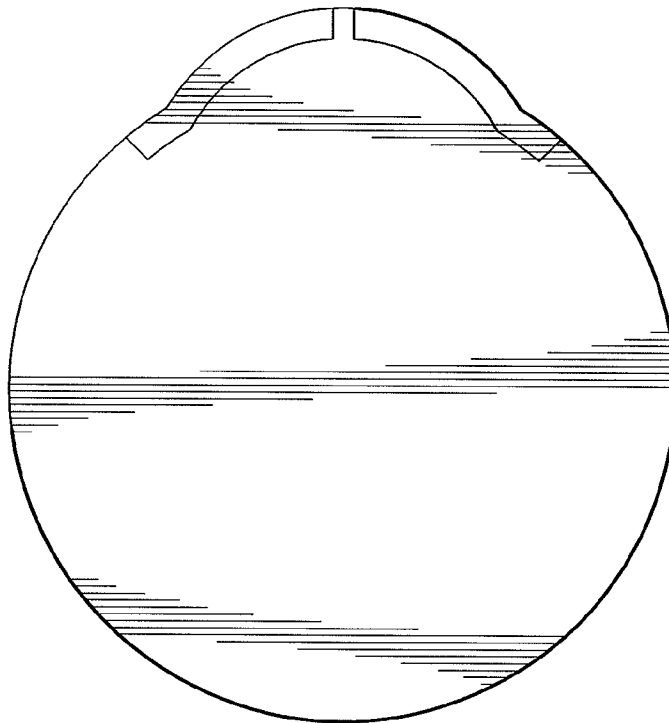


FIG.4

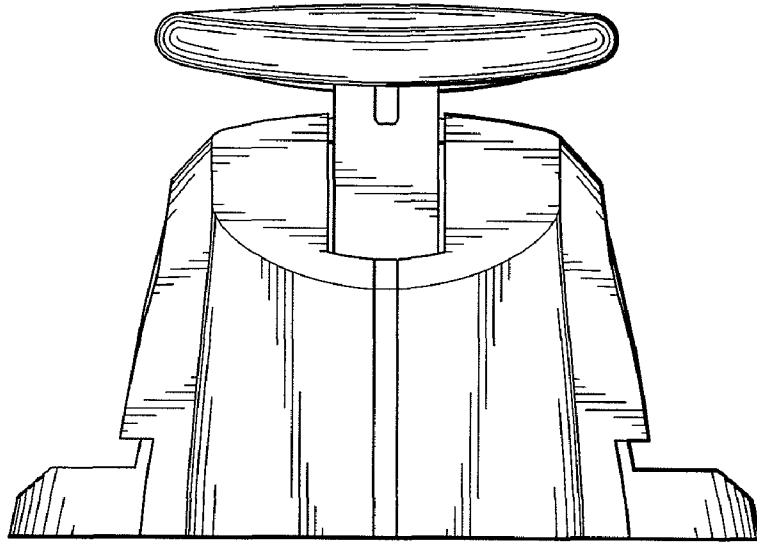


FIG. 5

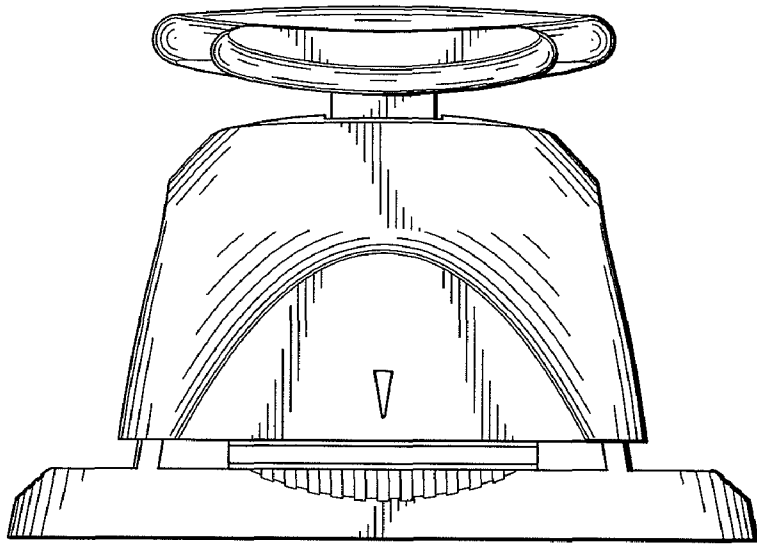


FIG. 6

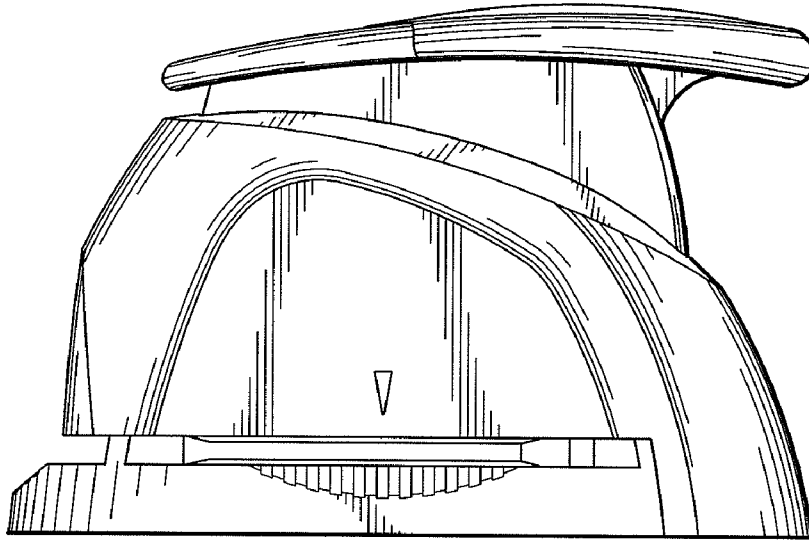


FIG. 7

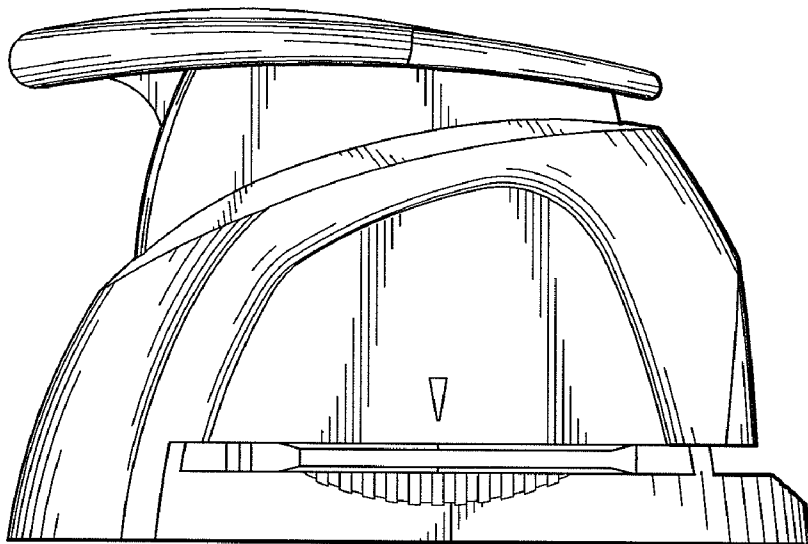


FIG. 8