



US00D511556S

(12) **United States Design Patent**
Auberger

(10) **Patent No.:** **US D511,556 S**

(45) **Date of Patent:** **** Nov. 15, 2005**

(54) **BEE AND FLOWER DECORATIVE BARRIER**

D485,326 S * 1/2004 Frank D21/826
D493,204 S * 7/2004 Frank D21/826

(75) Inventor: **M. Benoit Auberger**, La Forêt sur
Sèvre (FR)

* cited by examiner

(73) Assignee: **Wesco Company S.A.**, Cerizay (FR)

Primary Examiner—Mitchell Siegel
(74) *Attorney, Agent, or Firm*—Horst M. Kasper

(**) Term: **14 Years**

(57) **CLAIM**

(21) Appl. No.: **29/208,435**

The ornamental design for bee and flower decorative barrier,
as shown and described.

(22) Filed: **Jun. 29, 2004**

DESCRIPTION

(30) **Foreign Application Priority Data**

Dec. 29, 2003 (EM) 000119441-0023

FIG. 1 is a front elevational view of bee and flower deco-
rative barrier

(51) **LOC (8) Cl.** **21-03**

FIG. 2 is a top plan view thereof;

(52) **U.S. Cl.** **D21/814**

FIG. 3 is a left side elevational view thereof;

(58) **Field of Search** D21/811, 814,

FIG. 4 is a rear side elevational view thereof;

D21/818-827, 493; 482/35, 36; D25/50,
39, 38; 446/35, 314, 124, 125

FIG. 5 is a right side elevational view thereof;

FIG. 6 is a bottom side elevational view thereof; and,

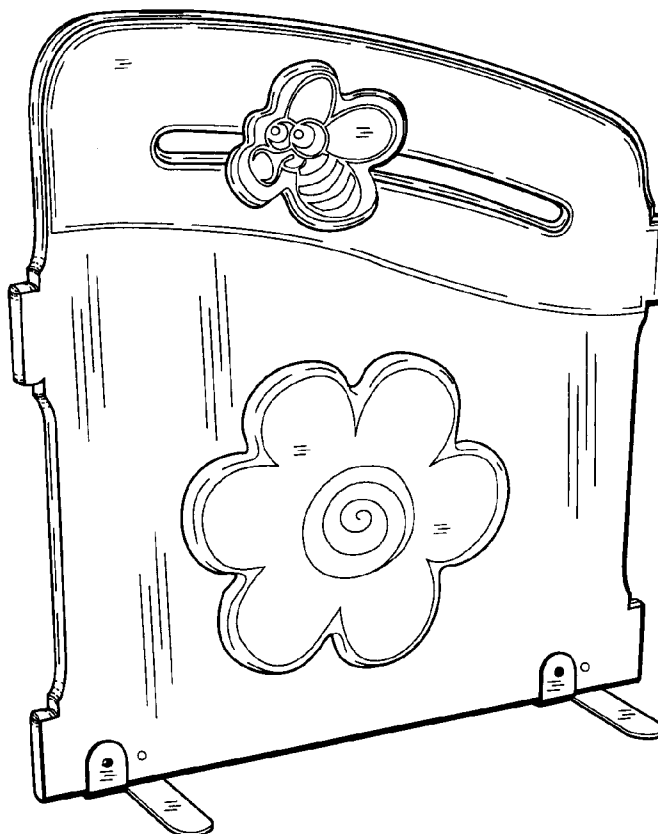
FIG. 7 is a front and side perspective view of bee and flower
decorative barrier.

(56) **References Cited**

U.S. PATENT DOCUMENTS

D468,386 S * 1/2003 Frank D21/826

1 Claim, 3 Drawing Sheets



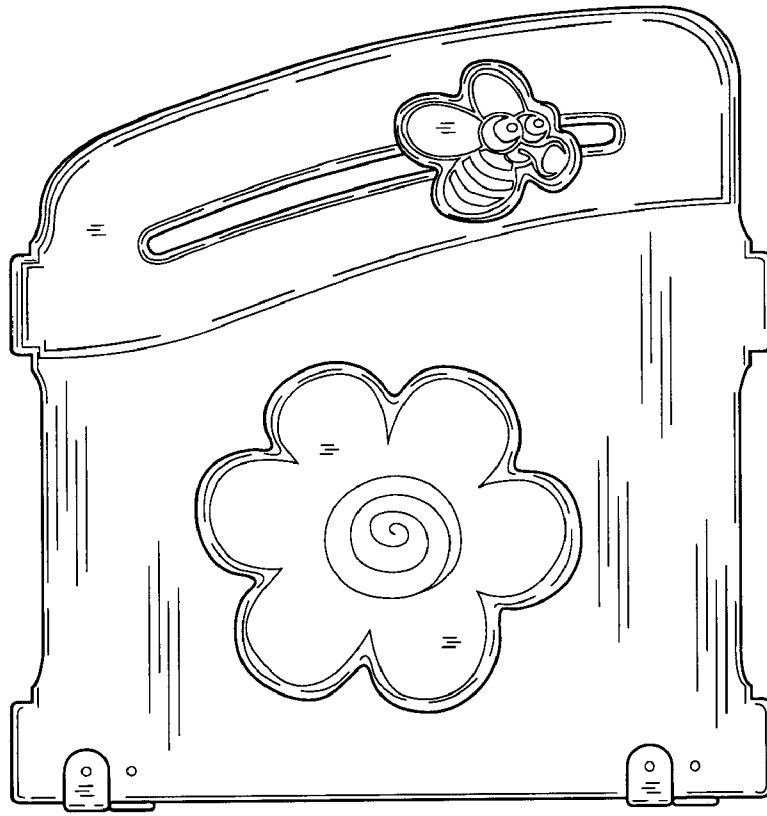


Fig. 1

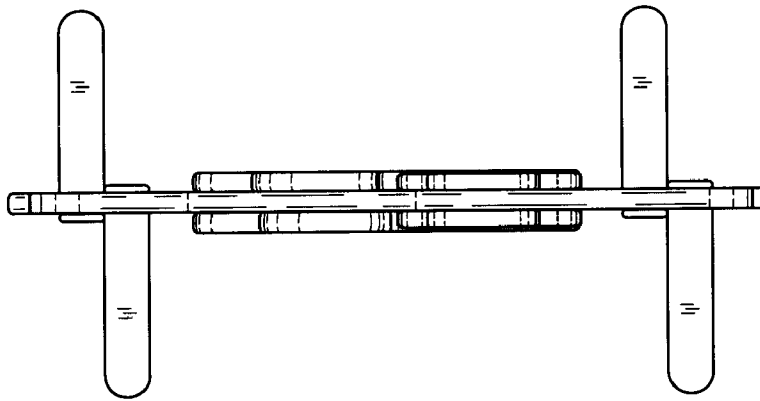


Fig. 2

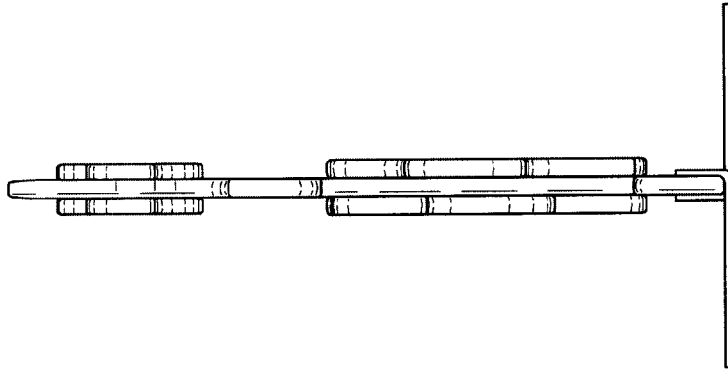


Fig. 3

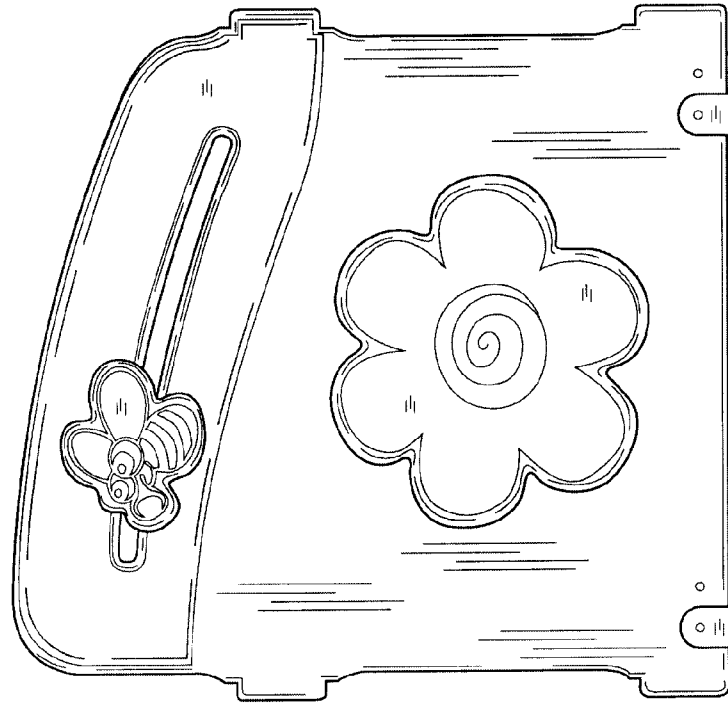


Fig. 4

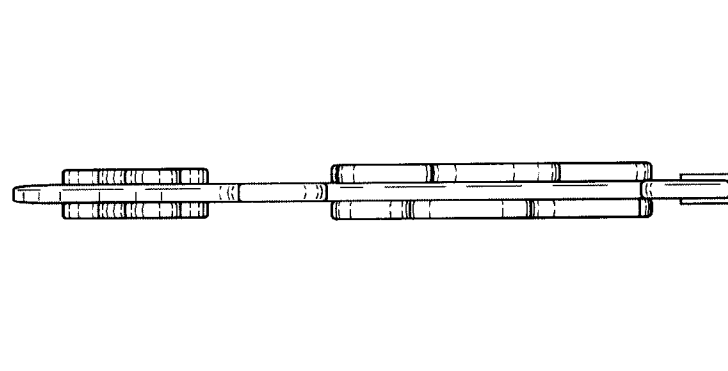


Fig. 5

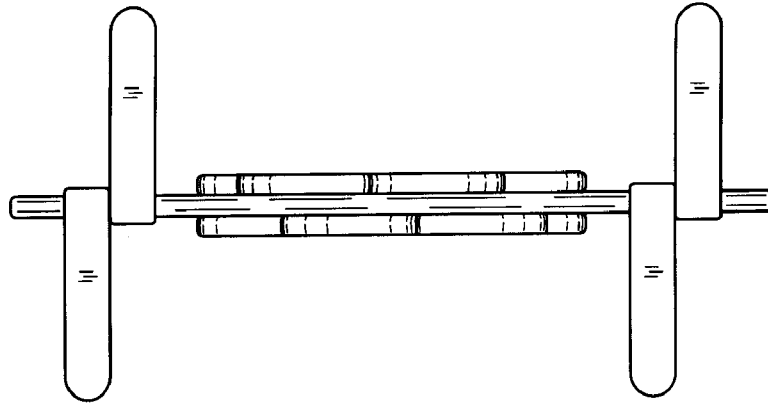


Fig. 6

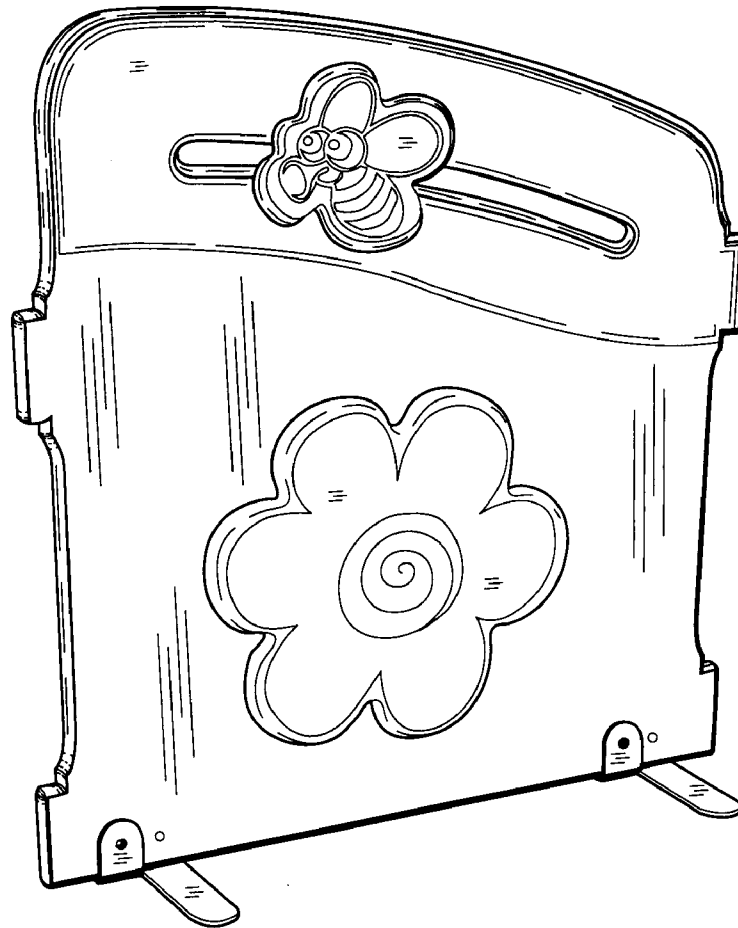


Fig. 7