



(51) International Patent Classification:
B65D 47/08 (2006.01)

(21) International Application Number:
PCT/US2019/067485

(22) International Filing Date:
19 December 2019 (19.12.2019)

(25) Filing Language: English

(26) Publication Language: English

(30) Priority Data:
62/783,790 21 December 2018 (21.12.2018) US
62/903,245 20 September 2019 (20.09.2019) US

(71) Applicant: H.J. HEINZ COMPANY BRANDS LLC
[US/US]; One PPG Place, Pittsburgh, Pennsylvania 15222
(US).

(72) Inventors: HILTSEER, Balint; Baalarenstraat 14, 6663 NM
Lent (NL). LUEB, Guus; Emmenhoeve 3, 6721 LC Ben-
nekom (NL).

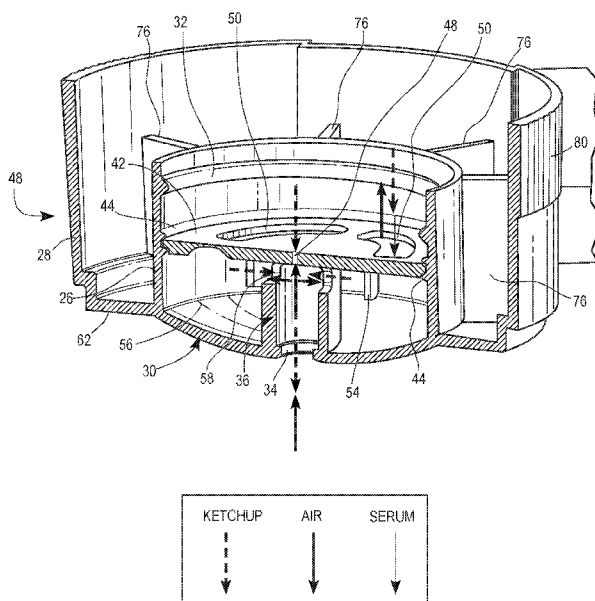
(74) Agent: KRATZ, Rudy et al.; Fitch, Even, Tabin & Flan-
nery LLP, 120 S. LaSalle Street, Suite 2100, Chicago, Illi-
nois 60603 (US).

(81) Designated States (unless otherwise indicated, for every kind of national protection available): AE, AG, AL, AM, AO, AT, AU, AZ, BA, BB, BG, BH, BN, BR, BW, BY, BZ, CA, CH, CL, CN, CO, CR, CU, CZ, DE, DJ, DK, DM, DO, DZ, EC, EE, EG, ES, FI, GB, GD, GE, GH, GM, GT, HN, HR, HU, ID, IL, IN, IR, IS, JO, JP, KE, KG, KH, KN, KP, KR, KW, KZ, LA, LC, LK, LR, LS, LU, LY, MA, MD, ME, MG, MK, MN, MW, MX, MY, MZ, NA, NG, NI, NO, NZ, OM, PA, PE, PG, PH, PL, PT, QA, RO, RS, RU, RW, SA, SC, SD, SE, SG, SK, SL, SM, ST, SV, SY, TH, TJ, TM, TN, TR, TT, TZ, UA, UG, US, UZ, VC, VN, ZA, ZM, ZW.

(84) Designated States (unless otherwise indicated, for every kind of regional protection available): ARIPO (BW, GH, GM, KE, LR, LS, MW, MZ, NA, RW, SD, SL, ST, SZ, TZ, UG, ZM, ZW), Eurasian (AM, AZ, BY, KG, KZ, RU, TJ, TM), European (AL, AT, BE, BG, CH, CY, CZ, DE, DK, EE, ES, FI, FR, GB, GR, HR, HU, IE, IS, IT, LT, LU, LV, MC, MK, MT, NL, NO, PL, PT, RO, RS, SE, SI, SK, SM, TR), OAPI (BF, BJ, CF, CG, CI, CM, GA, GN, GQ, GW, KM, ML, MR, NE, SN, TD, TG).

(54) Title: CONTAINER, CLOSURE, AND METHODS FOR MANUFACTURE

FIG. 4



(57) Abstract: In some embodiments, apparatuses and methods provided herein are useful for dispensing a fluid, such as a thixotropic fluid. In some embodiments, a bottle having a closure cap includes a flip top, a base, and a disk, where the base and disk define a mixing chamber configured to facilitate mixing of any serum or liquid separated from the fluid back therein. In some configurations, the base has a central opening through which the fluid exits and an internal shaft with a non-planar end surface opposite the central opening. In some configurations, the non-planar end surface and the disk define channels between the mixing chamber and the internal shaft. In some embodiments, the disk includes a central opening, a plurality of partial annular openings through a planar surface of the disk, and projections extending into the mixing chamber.



WO 2020/132247 A1

Published:

- *with international search report (Art. 21(3))*
- *before the expiration of the time limit for amending the claims and to be republished in the event of receipt of amendments (Rule 48.2(h))*

CONTAINER, CLOSURE, AND METHODS FOR MANUFACTURE

Technical Field

[0001] This disclosure relates generally to containers for fluids. More particularly, this disclosure generally relates to containers with closure caps.

Background

[0002] Fluid containers occasionally have issues with dosing and leakage, especially during shipping and/or when the containers are placed in certain configurations. Many consumer products delivered in bottles may suffer from such drawbacks. By way of example, thixotropic fluids, such as, for example, ketchup or certain liquid soaps, are sometimes sold in bottles that use a flexible plastic membrane valve with an "X" shaped slit. These are sometimes used with inverted bottles that rest on their caps when not in use so that gravity retains the product in position adjacent the valve.

[0003] One problem with this type of valve is that in some cases, product may leak through the valve when the bottle is not in use. Another problem is that during dispensing, product may squirt from the opening at an undesirably high velocity, increasing the risk of splatter. The high velocity of the product being discharged also makes proper dosing difficult because there is generally insufficient control over the product at high velocities. A third problem is that the valve may resist or prevent inflow of air to maintain interior volume after dispensing, leading to development of subatmospheric pressure, i.e., a partial vacuum, in the bottle. This can lead to paneling, i.e., buckling, or other undesirable inward deflection of container walls, which can be esthetically problematic and also functionally problematic, as it may increase the manual pressure required to dispense product, and may lead to uneven or inconsistent dispensing in response to a squeeze, i.e., manual application of pressure to the container exterior.

[0004] Another issue is that such membrane valves are often formed of silicon, whereas other portions of the caps are often formed of another material such as polypropylene. Having a closure cap comprised of multiple materials increases the complexity and cost of manufacturing and can make recycling difficult and/or impractical, thereby making the solution less attractive for large scale use.

[0005] Further, such membrane valves and other similar solutions do not always sufficiently address product separation that often occurs in fluids, such as when serum, water or another thin liquid component of relatively low viscosity separates from the remainder of a fluid such as ketchup. This separation can increase leakage, increase splatter, and cause the thin liquid component to be dispensed separately from the remainder of the product.

Brief Description of the Drawings

[0006] Disclosed herein are embodiments of systems, apparatuses and methods pertaining to a container, closure and methods for manufacturing. This description includes drawings, wherein:

[0007] FIG. 1A is a perspective view of a bottle with a cap in accordance with some embodiments.

[0008] FIG. 1B is a cross sectional view of the bottle of FIG. 1A in an inverted position.

[0009] FIG. 2 is a perspective view of a cap and a portion of a bottle in accordance with several embodiments.

[0010] FIG. 3 is a perspective view of the cap of FIG. 2 in an open configuration.

[0011] FIG. 4 is a perspective cross sectional view of a portion of a cap in an inverted orientation.

[0012] FIG. 5 is a perspective view of an underside of a portion of a cap with a disk removed therefrom in accordance with some embodiments.

[0013] FIG. 6 is a perspective view of an underside of a disk in accordance with several embodiments.

[0014] FIGS. 7A and 7B are top and bottom plan views of the disk in accordance with several embodiments.

[0015] FIG. 7C is an elevational side view of the disk of FIGS. 7a and 7b.

[0016] FIG. 7D is a cross section along line D-D of FIG. 7b.

[0017] FIG. 7E is a cross section along line E-E of FIG. 7b.

- [0018] FIG. 8 is a perspective cross sectional partial view of the cap in a closed configuration with the disk removed therefrom in accordance with several embodiments.
- [0019] FIG. 9 is a perspective cross sectional view of a portion of the cap without the disk attached thereto in accordance with several embodiments.
- [0020] FIG. 10 is a perspective cross sectional view of a portion of the cap without the disk attached thereto in accordance with several embodiments.
- [0021] FIG. 11 is a perspective cross sectional view of a portion of the cap in accordance with several embodiments.
- [0022] FIG. 12 is a cross sectional view of a portion of the internal shaft at the cap opening in accordance with several embodiments.
- [0023] FIG. 13 is a cross sectional view of a portion of the internal shaft at the cap opening in accordance with several embodiments.
- [0024] FIGS. 14 and 15 are partial cross sectional views of a portion of alternative embodiments.
- [0025] FIGS. 16 and 17 are partial cross sectional views of a portion of the cap in accordance with several embodiments.
- [0026] FIG. 18 is a perspective cross sectional view of a portion of a cap showing an alternative embodiment.
- [0027] FIG. 19 is a cross sectional view of the embodiment of FIG. 18.
- [0028] FIG. 20 is a perspective cross sectional view of a portion of a cap showing an alternative embodiment.
- [0029] FIG. 21 is a cross sectional view of the embodiment of FIG. 20.
- [0030] FIG. 22 is a perspective cross sectional view of a portion of a cap showing an alternative embodiment.
- [0031] FIG. 23 is a cross sectional view of the embodiment of FIG. 22.

- [0032] FIG. 24 is a side view of a cap in an open configuration in accordance with several embodiments.
- [0033] FIGS. 25 and 26 are partial cross sectional views of the cap of FIG. 24.
- [0034] FIG. 27 is a side view of another cap in an open configuration in accordance with several embodiments.
- [0035] FIGS. 28 and 29 are partial cross sectional views of the cap of FIG. 27.
- [0036] FIG. 30 is a side view of another cap in an open configuration in accordance with several embodiments.
- [0037] FIGS. 31 and 32 are partial cross sectional views of the cap of FIG. 30.
- [0038] FIGS. 33 and 34 are cross sectional views illustrating alternative mixing chambers.
- [0039] FIGS. 35-37 are partial cross sectional views illustrating alternative internal shafts in accordance with several embodiments.
- [0040] FIG. 38 is a cross section of a cap having detailed portions magnified to show various finishing options for the internal shaft.
- [0041] FIGS. 39-44 are partial perspective views having a portion removed therefrom illustrating alternative embodiments of the internal shaft of the base.
- [0042] FIGS. 45A-45I are top plan views of alternative embodiments of the disk.
- [0043] FIGS. 46A and 46B are cross sections of alternative embodiments of the disk.
- [0044] FIGS. 47A-47I are perspective views of an underside of alternative embodiments of the disk.
- [0045] FIG. 48 is a partial cross sectional view of a portion of an alternative cap in accordance with several embodiments.
- [0046] Elements in the figures are illustrated for simplicity and clarity and have not necessarily been drawn to scale. For example, the dimensions and/or relative positioning of some of the elements in the figures may be exaggerated relative to other elements to help to

improve understanding of various embodiments of the present invention. Also, common but well-understood elements that are useful or necessary in a commercially feasible embodiment may be omitted in order to facilitate a less obstructed view of these various embodiments of the present invention. Certain actions and/or steps may be described or depicted in a particular order of occurrence when such specificity with respect to sequence is not actually required. The terms and expressions used herein have the ordinary technical meaning as is accorded to such terms and expressions by persons skilled in the technical field as set forth above except where different specific meanings have otherwise been set forth herein.

Detailed Description

[0047] Described herein are systems, apparatus and methods that are useful to dispense a fluid, such as, for example, a thixotropic fluid, from a bottle. Some embodiments include a closure cap for such a bottle. The closure cap may include a flip-top, a base, and a disk, where the base and disk define a mixing chamber configured to facilitate mixing of the fluid, which may mix serum or liquid separated from the fluid back therein. In some configurations, the base has a central opening through which the fluid exits, and a hollow internal shaft with a non-planar end surface opposite a central opening, with the non-planar end surface and the disk defining one or more channels between the mixing chamber and the interior of the shaft. (In other configurations, the shaft may have a planar end surface opposite the opening, and the shaft may have apertures formed therein.) In some embodiments, the disk includes a central opening, a plurality of partial annular openings through a planar surface of the disk, and projections extending into the mixing chamber. To exit the bottle, the fluid advanced from the reservoir or body of the bottle through the openings in the disk (e.g., the partial annual openings or the central pinhole) and through the chute formed by the internal shaft and out the central opening of the base. The fluid is advanced through these openings and pathways by having a user apply manual pressure to the body of the bottle.

[0048] In some embodiments, the dispensing bottle includes a container body having a neck with external threads thereon that engage internal threads on a closure cap that includes a base and a flip-top lid. In one illustrative embodiment, the base of the closure cap has a skirt with base threads disposed thereon, where the base threads are configured to engage the external threads on the neck of the bottle. Further, in some embodiments, the base includes one or more

retaining elements, projections, or rings on an internal surface of the base (such as on the internal surface of the skirt) and a central portion having an opening therein aligned with an internal shaft, where the opening permits the fluid to egress therethrough when the opening is unobstructed. By one approach, the internal shaft terminates at a non-planar end surface opposite the central portion. Further, this internal shaft may have a disk mounted adjacent thereto.

[0049] As noted, the cap has a flip-top lid, and in one illustrative configuration, the flip-top lid has an interior projection that is movable between a closed first position to an open second position, where the projection blocks the opening of the base, preventing or inhibiting egress of the fluid from inside the container body in the first position and, in the second position, permits egress of the fluid through the opening of the base. In addition, in one illustrative embodiment, a disk is attached to an interior of the base by snapping the disk into position at retaining ring(s), the disk having a central pinhole and partial annular slots disposed around the central pinhole. In one exemplary configuration, a mixing chamber is formed by the disk and the central portion of the base, along with the skirt and the internal shaft. Further, in some configurations multiple fluid channels are formed by the non-planar end surface of the internal shaft and the disk permitting fluid to flow from the mixing chamber into the internal shaft.

[0050] In some embodiments, the closure cap, in the closed position, is capable of maintaining the thixotropic fluid in stable equilibrium in the bottle without leakage when the bottle is in an inverted position such that the bottle opening is positioned below the body of the container. In some embodiments, when the closure cap is in the open position, during application of pressure to the container body, the configuration of the closure cap enables controlled dispensing of the thixotropic fluid, and release of pressure on the container body enables prompt cessation of dispensing, such as, for example, by permitting air to flow back into the container body to allow for spring back of the bottle and reversal of flow of thixotropic fluid in the interior channel. Further, in one illustrative configuration, this occurs without movement of the disk relative to the base. By one approach, the spring back is achieved by permitting air to be able to quickly enter the bottle to replace the volume of fluid that has been dispensed, which permits the bottle to quickly recover its original shape.

[0051] In one illustrative approach, at least a portion of fluid is dispensed by advancing downward through the partial annular openings, through the mixing chamber, then inward through the fluid channels defined between the disk and the nonplanar end of the internal shaft, then downward through the interior of the shaft before exiting the dispensing bottle via the central opening. By one approach, a thixotropic fluid disposed in the bottle can be squeezed from the bottle such that it advances through the partial annular slots in the disk, and through the mixing chamber where any separated serum can be mixed into the fluid before the thixotropic fluid moves through channels formed by an end of the internal shaft and the disk and out the central opening of the base. Further, a portion of the fluid also may advance downward through the small aperture or pinhole in the disk and through the central opening of the base. As suggested above, in operation, the bottle is able to quickly regain its shape upon cessation of pressure on the bottle. Air may flow into the bottle via one or both of these pathways, e.g., through the pinhole in the disk and/or through the annular openings, such that air is able to flow into the bottle through the internal chamber, channels, pinhole, mixing chamber, and/or partial annular slots. Generally, the air is pulled into the bottle when pressure is released on the body of the bottle or container. Thus, in short, the air is admitted into the main cavity of the bottle by flowing through at least one of the central pinhole or the partial annular slots of the disk. Further, once the disk is installed into the base of the closure cap, by one approach, the disk remains stationary relative to the base.

[0052] In some embodiments, the closure cap, including the base, flip-top, and disk are generally comprised of a polypropylene material, such that the entire closure cap is recyclable as a unit. In addition, without a silicon membrane, the strength of the closure in some embodiments does not significantly degrade over time, and there is little or no degradation of its performance over time. In some embodiments, there is little or no variation in the pressure required to dispense fluid from the bottle over the life of the bottle.

[0053] As described herein, the closure cap may permit better dosing. It may prevent accidental high velocity discharge of product from the bottle, which can be messy, and may prevent permanent collapse or other permanent inward deformation of the bottle. Further, the closure cap configuration may reduce splatter. Also, as described below, the mixing chamber

may be configured to facilitate cleaning of its exterior surface, e.g., by having an outwardly convex or dome-shaped exterior surface.

[0054] By one approach, the outside, bottom (when the bottle is inverted) surface of the base, adjacent the central opening through which the fluid is dispensed, has an arcuate or dome-shaped central portion with a planar peripheral surface therearound. In one example, the inside of the base has the internal shaft extending at least somewhat parallel to the skirt of the base. In some configurations, the base includes an internal cut-off blade disposed adjacent the central opening, where an inner diameter of the internal shaft is sharply reduced. By one approach, the cut-off blade has an edge that is sharp, without a burr thereon. In some configurations, an inner diameter of the opening itself is different from the internal shaft wall. More particularly, in such a configuration, the diameter of the opening into the container is smaller than the diameter between the walls of the internal shaft, and this reduction in size and the relatively sharp edge therebetween helps facilitate reduction of the tailing formation of the product by partially retaining the product in the closure. Also, the surface tension and the size of the opening also can help reduce the tailing formation of the product as well. While this cut-off blade does not prevent product from flowing out of the opening in the closure cap, it reduces the amount released under certain pressures by slowing the flow. By one approach, the cut-off blade is relatively small compared with the diameter of the shaft and in some configurations the internal cut-off blade has a width of about 1 mm, while the diameter of the opening into the container itself is about 3mm to about 7mm. In another configuration, the opening has a diameter of about 3.5mm to about 4.5mm. In yet another embodiment, the opening has a diameter of about 4mm and the diameter of the internal shaft is about 6 mm. Accordingly, the cut-off blade has a width of about 1mm in some configurations.

[0055] While the cut-off blade assists with rapid cessation of fluid dispensing, upon release of pressure on the bottle, the disk (and its interface with the internal shaft) also reduces the pressure caused by the product in the bottle, which assists with cessation of dispensing. As discussed below, the size and configuration of the openings in the disk assist with flow monitoring and depending on the viscosity and surface tension of the product, and the geometry of the disk may be adjusted to accommodate different fluids.

[0056] At the upper end of the internal shaft, disposed away from the opening in the base, the internal shaft, in some embodiments, has a non-planar end surface. By one approach, the non-planar end surface has a stepped configuration creating a plurality of teeth and depressions. By another configuration, the non-planar end surface is configured with a wavy, sinusoidal or other arcuate depression.

[0057] As suggested above, the bottle and cap described herein may be employed for use with a wide variety of fluids. In one illustrative configuration, the bottle is filled with a thixotropic fluid, such as, for example, certain condiments, sauces, or certain consumer items, such as shampoo or body wash. Such applications may be particularly advantageous because they permit the consumer or user to easily and quickly dispense a desired amount of fluid without splattering or otherwise creating an unintended mess with the fluid. By one approach, the dispensing bottle with the closure cap may have a capacity of about 250 mL to about 1000 mL. Further, a variety of container configurations are contemplated, including some that are stored in an inverted configuration where the bottle rests on the closure cap. In one illustrative approach, the disk has a diameter of between about 20 to about 40mm, the internal shaft has a height of between about 4 to about 12 mm, and the internal shaft has a diameter of about 3 to about 9 mm. In other configurations, the internal shaft has a height of about 5 to about 9mm, with a diameter of about 3-5mm.

[0058] As noted above, the closure cap has a mixing chamber formed by a portion of the base that has a disk secured thereto. By one approach, the mixing chamber includes a plurality of extensions therein from the disk. More particularly the disk, in some configurations includes a plurality of extensions of flanges that extend downward from the bottom of the disk (with the bottle inverted) into the mixing chamber. The mixing chamber described herein helps prevent serum from leaking from the dispensing bottle, in part, by mixing serum that has separated from the thixotropic fluid back into the remainder of thixotropic fluid. By one approach, the mixing chamber prevents separated serum from leaking from the bottle by mixing the separated serum back into the fluid before it leaves the opening of the bottle. In some embodiments, the mixing chamber has a capacity of, or retains, 2mL to 11mL, 3mL to 9mL, or 5 to 7mL, or about 6mL. The disk extensions may help with remixing of separated serum by slowing the flow of the fluid

through the mixing chamber, creating or increasing turbulence, and/or otherwise increasing interaction between separated serum and the remainder of the fluid.

[0059] By one approach, multiple retaining rings may be provided, and one of those rings may have a bottle or cap liner associated therewith that may seal the bottle after the closure cap is attached thereto. For example, a first retaining ring and a second retaining ring may be spaced axially (vertically) from each other with an edge of the disk captured therebetween. The upper ring (with the bottle inverted) may have a removable film or liner member associated therewith that seals against the opening at the neck of the bottle before use. Prior to dispensing product, the liner member may be manually removed by a consumer.

[0060] A bottle with a closure cap described herein may be formed, filled and sealed in high speed, high volume, mass production operations, or in other types of operations. In one approach, a method of manufacturing a dispensing bottle generally includes forming a squeezable, flexible bottle, e.g., by blow molding, injection molding, or other methods; forming a disk and a closure cap having a base and a flip-top lid by injection molding or other methods; snapping the disk into the base; filling the receptacle with a fluid (such as, for example, a thixotropic fluid); and securing the closure cap onto the filled receptacle. In some embodiments, the base has inner and outer skirts with base threads on the interior of the inner skirt (where the base threads are configured to engage the threads on the exterior of the bottle neck), a retaining ring on the interior of the inner skirt, and a central, dome-shaped portion having an opening therein aligned with an internal shaft terminating at a non-planar end surface opposite the central opening. The dome-shaped portion includes an opening permitting fluid to egress therethrough when the opening is unobstructed, and the flip-top lid has an interior projection that is movable between a first position and a second position, where the projection blocks the opening of the base inhibiting or preventing egress of the fluid when in the first position, and permits egress of the fluid through the opening of the base when in the second position. In some embodiments, the disk has a central pinhole, and partial annular slots disposed around the central pinhole, wherein the disk, the central portion of the base, the inner skirt, and the exterior surface of the internal shaft define a mixing chamber, and wherein multiple fluid channels are formed between the non-planar end surface of the internal shaft and the disk. In some configurations, the method also includes sealing the receptacle with a removable liner associated with the closure cap to seal the

product in the body of the bottle. As discussed further below, the base and flip-top lid may be molded with the disk or separately therefrom.

[0061] In one illustrative configuration, a closure cap for a container includes a flip-top lid and base having, at least, a dome-shaped wall with an opening therethrough, an inner skirt, an outer skirt connected by an upper, planar portion, threads and one or more retaining rings on the inner skirt, and an internal shaft inwardly depending from the dome-shaped wall. By one approach, the internal shaft terminates at a non-planar end surface. Further, in such a configuration, the flip-top lid has a projection and is movable between a first position where the projection blocks the opening and a second position where the projection does not obstruct the opening of the base. The closure cap, in some configurations, has a disk attached to an interior of the base by snapping the disk into the retaining ring(s). In such a configuration, the disk has a central pinhole, partial annular slots disposed around the central pinhole, and flanges extending toward the base, the flanges disposed in between the internal shaft and the partial annular slots when the disk is attached to the base. Further, by one approach, the closure cap includes a mixing chamber defined by the disk, the dome-shaped wall, the inner skirt, and the internal shaft, wherein multiple fluid channels are formed by the non-planar end surface of the internal shaft and the disk.

[0062] In another approach, a method of manufacturing a closure cap includes forming, in a mold, a flip-top cap with (a) a base having, at least, a dome-shaped wall with an opening therethrough, an inner skirt, an outer skirt connected by a planar portions, threads and a retaining ring on the inner skirt, and an internal shaft inwardly depending from the dome-shaped wall, the internal shaft terminating at a non-planar end surface, and (b) a flip-top lid hingedly connected to the base, the flip-top lid having an interior projection and being movable from a first position where the interior projection blocks the opening to a second position where the interior projection does not obstruct the opening of the base. Further, in some approaches, the method also includes snapping a disk into the retaining ring of the base of the flip-top cap, the disk having a central pinhole, partial annular slots disposed around the central pinhole, and flanges extending toward the base, the flanges disposed in between the internal shaft and the partial annular slots when the disk is attached to the base. Further, in some embodiments, the disk and the base form a mixing chamber defined by the disk, the dome-shaped wall, the inner skirt, and

the internal shaft, wherein multiple fluid channels are formed by the non-planar end surface of the internal shaft and the disk.

[0063] Further, in some configurations, the method also includes forming the closure cap as two separate components, including the flip-top cap and the disk, where the flip-top cap includes the base and flip-top lid formed in a single, integral, unitary, one-piece structure, and wherein the two separate components are made of the same material, and are assembled at the mold or at a separate station.

[0064] FIGS. 1A and 1B illustrate a packaged food product comprising a bottle 10 containing a fluid food product 5 such as ketchup, mayonnaise, barbecue sauce, mustard, or another product, with a closure cap 18 attached to a container body 12 via internal threads 32 (see, e.g., FIG. 4) of the closure cap 18 engaging external threads 16 of the container body 12. A portion of the closure cap 18 is shown transparently in FIG. 1A for illustrative purposes. While FIG. 1A shows the bottle in an upright position, in some embodiments, the bottle 10 is configured to be stored inverted while resting on its closure cap, such as that shown in FIG. 1B. Accordingly, during storage and dispensing, the bottle 10 may have the closure cap 18 positioned below the container body 12 of the bottle 10 without unintended leakage of the fluid 5 from the bottle 10.

[0065] The closure cap 18, as shown in FIGS. 2 and 3 includes a base 20 and a hinged or flip-top lid 22. To open the bottle 10 to permit the fluid 5 to be easily dispensed therefrom, a user may pivot the flip-top lid 22 from the closed configuration of FIG. 2 to the open configuration of FIG. 3. To that end, a user or consumer may apply upward force to the lid 22 by engaging the mouth-shaped indentation 70 defined by the upper surface 72 and a lower surface 74. By one approach, a user will manually grasp and pull upward on the upper surface 72 pulling it away from the base 20 and a remainder of the bottle 10. The flip-top lid 22 then pivots about a hinge 19 opposite the mouth-shaped indentation 70 to sit stably in the open configuration.

[0066] As can be seen in FIG. 3, when the flip-top lid 22 is in the open configuration, a projection 90 of the flip-top lid 22 is moved from obstructing or blocking an opening 34 in the base 20 to a position away therefrom such that the opening 34 is unobstructed. FIG. 3 also

illustrates a central portion 30, which may be dome-shaped, through which the opening 34 extends, and a planar portion 62 disposed at least partially therearound. The lower surface 74 of the mouth-shaped indentation 70, as shown in the illustrative embodiment of FIG. 3, extends between sections of the planar portion 62.

[0067] FIG. 4 illustrates a perspective cross-sectional view of a portion of the closure cap 18 in an inverted orientation. As shown in FIG. 4, the base 20 includes an inner skirt 26, upon which the internal threads 32 and one or more retaining rings 44 are disposed, an outer skirt 28, a planar portion 62 therebetween, and a dome-shaped central surface 30 having an opening 34 disposed therein. One or more radial stiffeners or strengthening ribs 76, shown in FIG. 4, are disposed between the outer skirt 28 and the inner skirt 26. As shown in the illustrative configuration of FIGS. 4 and 5, the base 20 includes an internal shaft 36 extending upward away from the central dome-shaped surface 30 and terminating at a non-linear surface 38 (as shown in FIG. 5).

[0068] In one illustrative embodiment, the closure cap 18 includes a disk 42 (shown in FIGS. 4 and 6) with a plurality of openings therein, through which the fluid 5 and air can flow. By one approach, the retaining rings 44 disposed on the inner wall of the inner skirt 26 capture the disk 42 therebetween. In another configuration (not shown), the disk 42 may be captured between a retaining ring and another structure, such as, for example, a portion or extension of the internal shaft 36. FIG. 4, illustrates a cross section of a portion of the closure cap 18 having the disk 42 snapped in between two retaining rings 44, illustrates how the disk 42 and the base 20 form a mixing chamber 56. In one illustrative embodiment, the mixing chamber 56 is formed by the walls of the inner skirt 26, the central portion 30, the internal shaft 36 of the base 20, and the disk 42.

[0069] Further, the planar portion 62 of the base 20 joins the inner and outer skirt 28 as well. As shown in FIG. 1, the base 20 also has ribs 80 disposed on the portion of the base 20 below (with the bottle in an upright orientation) the flip-top lid 22. These ribs provide a gripping surface such that if someone wanted to remove the entire closure cap 18 from the container body 12, the user is able to more easily grasp the closure cap 18 to disengage the internal threads 32 of the base 20 from the external threads 16 of the neck 14. In other configurations, the ribs 80 may be removed from the closure cap 18.

[0070] FIGS. 5 and 9 illustrate one exemplary non-linear terminating surface 38 of the internal shaft 36 of the base 20. In some embodiments, the non-linear terminating surface 38 forms channel openings for both the fluid and air to travel between the mixing chamber 56 and the internal shaft 36. By one approach, the non-linear terminating surface 38 has a stepped configuration 64, as shown in FIGS. 8 and 9. In yet another approach, the non-linear terminating surface 38 has a wavy, sinusoidal or other arcuate configuration. In some configurations, the non-linear terminating surface 38 may have semi-circular depressions cut into the wall of the internal shaft 36. In addition, a single or a number of depressions may form one or more channels between the mixing chamber 56 and the internal shaft 36.

[0071] Further, the stepped configuration 64, which is shown in FIGS. 5 and 9, may include one or more projecting teeth 68, and a one or more deep slots 64 extending from a mid-point therebetween, or otherwise positioned. The stepped configuration 64 of the non-linear terminating surface 38 of the internal shaft 36 cooperates with the surface of the disk to form the fluid channels 58 having varying width and/or depth. As shown in FIG. 10, the non-linear terminating surface 39 also may have a wavy or an arcuate configuration with multiple slots or depressions 65 and rounded extensions 69. The wavy, non-linear terminating surface 39, which operates similar to the stepped configuration discussed above, forms channels 58 with the disk 42. In some configurations, the non-linear terminating surface may have a combination of stepped portions, projections, angles, and/or curved sections, among other elements.

[0072] Indeed, the non-linear terminating surface 38 may take a variety of configurations, such as, for example, those illustrated in FIGS. 8-10 and 39-44. As discussed above, the non-linear surface 38, shown in FIGS. 5 and 9, has a stepped configuration forming a number of channels 58. Further, in another configuration, the non-linear terminating surface 39, shown in FIG. 10, has a wavy or sinusoidal configuration. FIG. 39 illustrates a non-linear terminating surface 2238 that has two different heights, as opposed to the three different heights illustrated in FIGS. 8 and 9. FIG. 40 illustrates a non-linear terminating surface 2338 that has two heights and angled portions therebetween. FIG. 41 illustrates a non-linear terminating surface 2438 that has generally v-shaped valleys disposed in between prongs or projections having a triangular-shaped cross section. FIG. 42, similar to FIG. 39, illustrates a non-linear terminating surface 2538 having two different heights, but the prongs or projections of FIG. 41 have a

triangular shape or a trapezoid shape with more acute or smaller angles adjacent the larger base. FIG. 43 illustrates a non-linear terminating surface 2638 having a stepped configuration, where the lowest step has a smaller width than the width of the uppermost step. Finally, FIG. 44 illustrates a non-linear terminating surface 2738 with triangular-shaped prongs or projections having u-shaped valleys therebetween. It is noted that the features illustrated may be used as shown or combined with other exemplary features including, for example, those shown in other figures. Alternatively, the end of the shaft may be linear or flat and the shaft may include other openings incorporated therein.

[0073] In addition to forming, in part, the mixing chamber 56, the disk 42 also defines annular partial slots or openings 50 therein to permit flow of fluid (and its constituent parts) into the mixing chamber. The annular openings 50 may take a variety of configurations, such as, for example, those illustrated in FIGS. 7A, 7B, and 45A-45I. By one approach, shown in FIGS. 7A and 7B, the disk 52 includes four openings. In another embodiment, shown in FIG. 45A, the disk 1242 has two openings. In another example, FIG. 45B includes three annular openings 1250, whereas the example of FIG. 45C includes five openings 1350. FIG. 45D illustrates an exemplary disk 1442 with six openings 1450, whereas FIG. 45E illustrates an exemplary disk 1542 with seven annular openings 1550. The exemplary disk 1642, shown in FIG. 45F, includes eight annular openings 1650 and an offset pinhole 1648, whereas the pinholes in FIGS. 45A-45E and 45G-45I are centrally disposed in the disks shown therein. Further, while the corners of the annular opening illustrated in FIGS. 7A, 7B, and 45A-45F are rounded, lacking any sharp edges or pinch points, FIGS. 45G-45I illustrate openings with less rounded openings 1750, 1850, and 1950. These features may be combined in a variety of manners.

[0074] FIGS. 47A-47I also illustrate a number of exemplary disks with a variety of features that may help manage the flow of the fluid from the bottle and through the cap. As mentioned above, the bottle is often stored and/or used in a top-down position, such that serum that separates in the chamber may leak from the bottle, in part, because it may not have a particularly long flow path or time with which to mix back into the fluid before advancing through being moved out of the bottle cap.

[0075] To facilitate the mixing of any separated serum with the remainder of the fluid, the disk may incorporate a number of additional features, such as, for example, additional

openings disposed interior of the flanges thereof. In one illustrative embodiment, these openings are intermediate to the annular slots and the center of the disk, which may have central pinholes, as discussed above. One illustrative disk 2042, shown in FIG. 47A includes annular openings 2051 that are interior to the flanges 2054, which are themselves interior to the larger annular openings or slots 2050. In this manner, there are smaller, interior openings 2051 adjacent the inner wall of the flange 2054 that assist with mixing the fluid and any separated constituent elements thereof. FIGS. 47B and 47C similarly illustrate exemplary disks 2142, 2242 that have intermediate or interior openings 2151, 2251 adjacent flanges 2154, 2254 and annular opening or slots 2150, 2250, though the shape and size of the openings are differently configured as compared to FIGS. 47A and to each other. In addition, FIG. 47C lacks a central pinhole, whereas FIGS. 47A and 47B include a central opening in the disks illustrated therein. In addition to these configurations, the pinhole also may be disposed offset from the geometric center of the disks as well, as previously suggested above.

[0076] FIGS. 47D-47F illustrate additional illustrative embodiments of a disk with a post extending therefrom to facilitate mixing of the fluid as it moves through the cap. Once installed or secured to a remainder of the cap, the post typically extends toward the exit or opening of the bottle. For example, the exemplary disk 2342 (FIG. 47D) includes annular openings 2350 and a centrally disposed post 2353 having relatively smooth sides thereof. The illustrative disk 2442 illustrated in FIG. 47E includes annular openings 2450, flanges 2454, and a centrally disposed post 2453. Whereas post 2353 has relatively a rounded exterior, the post 2453 has uneven sides, with a cross section having a generally x-shaped configuration.

[0077] While the post is shown centrally disposed, it also may be disposed off-center and multiple posts may be incorporated into the disk. Further, the post may have a variety of surface textures and configurations. Indeed, depending on the fluid moving through the cap, a variety of differently configured posts may be incorporated into the cap.

[0078] In some configurations, instead of a post, the disk may have another, similar structure such as a cone. FIG. 47I illustrates the central portion of a disk 2842 having a cone shaped extension 2857 with an opening 2848 extending therethrough. In addition, the disk 2842 also includes annular openings 2851, flanges 2854, and openings 2850.

[0079] The disk 2542 of FIG. 47F, similarly has a centrally disposed post 2553 with a generally x-shaped cross section and annular openings 2550. Instead of discrete flanges, however, the disk 2542 has one continuous flange or a cylindrical wall 2555 extending from the disk 2542. While the cylindrical wall 2555 is illustrated generally perpendicular to the disk, it also may extend from the disk at an angle, similar to the how the flanges illustrated in FIG. 46B are not perpendicular.

[0080] FIG. 48 illustrates the disk 2542 secured to a remainder of the closure cap 2518. Furthermore, the post 2553 is illustrated as extending at least partially into internal shaft 2536. In this manner, the fluid must advance through annular openings 2550, over or around the cylindrical wall 2555, over or around the end of the internal shaft 2536 and through the shaft, along the post 2553 to the opening 2534. Such configurations, having a somewhat winding flowpath, may be particularly suited for certain fluids with particular fluid properties.

[0081] Other modifications or combinations of the features described herein may be made. For example, FIG. 47G illustrates a disk 2642 that is similar to the disk 2142 of FIG. 47B, however, flanges 2654 are not as long as those illustrated in FIG. 47B such that the fluid has more room or space to move between the flanges 2654 of FIG. 47G, as compared to those in FIG. 47B. In addition, FIG. 47H illustrates a disk 2742 having outer annular openings 2750 adjacent openings 2751 without flanges disposed therebetween. Many of the various structural features of the disks may be combined or modified in a variety of manners, including those described herein, to tailor the disk to accommodate the properties of the fluid advancing from the bottle through the cap thereof.

[0082] As noted above, the mixing chamber 56 and the openings formed in the disk 42 by the disk 42 and the internal shaft 36 permit accurate dispensing and dosing of the fluid 5 within the container. Accordingly, the geometry of the disk 42 helps facilitate the proper dispensing of the fluid 5.

[0083] FIG. 7A illustrates a first side of the disk 42 which has flanges 54 extending downward therefrom when the bottle is inverted, and which faces the internal shaft 36 when the disk 42 is mounted in position between the retaining ring(s) of the closure cap 18. While the flanges 54 may extend orthogonally from a face of the disk 42 (as shown in FIGS. 7C-7E), the

flanges 54 also may extend from the disk 42 at an angle besides 90° . Turning briefly to FIGS. 46A and 46B, two illustrative flange configurations are illustrated. FIG. 46A illustrates the flanges 54 extending about 90° from the body of the disk 42, whereas in FIG. 46B the flanges 54' extend less than 90° from the body of the disk 42. Such an angled flange may impact the flow of the product 5 entering the mixing chamber 56 and may influence the mixing action in the chamber. While both the flanges shown in both FIGS. 46A and 46B help mix the product as it advances toward the exit, depending on the fluid characteristics of the product, the angle of the flange 54', as shown in FIG. 46B may be smaller than 90° . As mentioned above, the central pinhole 48, which is centrally disposed through a planar portion of the disk 42, is partially surrounded by a plurality of slots or partial annular openings 50. The peripheral, partial annular openings 50 are significantly larger than the central pinhole, and a majority of the fluid 5 exiting the bottle 10 advances through the partial annular openings 50. In some embodiments, the disk 42 has a diameter, D_1 , of 20mm to 40mm, 25mm-35mm or about 30-34mm. In one illustrative configuration, the disk 42 has a diameter, D_1 , of about $31.9 \text{ mm} \pm 0.1 \text{ mm}$. By one approach, the annular slots have an arcuate length of 10-15mm, or 11-14mm. As shown in FIG. 7B, the arcuate length A_1 , of each of the openings may be about 12.7mm. Further, the annular openings 50 have an inner radius of curvature R_1 on the inner edge of the opening and an outer radius of curvature R_2 on the outer edge of the opening. In one illustrative approach, R_1 is about 6-10mm and R_2 is about 10-15mm. In another illustrative approach, R_1 is about 8-9mm and R_2 is about 12-13mm. In one exemplary embodiment, R_1 is about 8.3mm and R_2 is about 12.3mm.

[0084] As shown in FIGS. 6 and 7A, the partial annular openings 50 are disposed adjacent flanges 54, which, when the disk 42 is installed in the base 20, extend into the mixing chamber 56 such that the fluid 5 (including any constituent parts, such as serum) cannot advance directly through the openings 50 and into the internal shaft 36 to exit the bottle, but instead, the portion of fluid 5 that advances through openings 50 must flow into the mixing chamber 56 (thereby promoting the mixing of any constituent parts of the fluid 5 that have separated therefrom) before the fluid exits the bottle 10. In one illustrative approach, the extensions or flanges 54 have a height, h_1 that is about 2-5mm. In another illustrative approach, the height h_1 is about 3-4mm. In one exemplary embodiment, h_1 is about 3.5mm. Further, in operation, the length or height of the flanges 54 may be linked to the depth of the channels 58 formed by the

non-linear terminating surface 38 because having them similarly sized helps facilitate mixing by requiring that the fluid flow around the flanges 54 and not directly through the annular openings 50 and through the fluid channels 58. In one illustrative approach, the height of the disk 42, h_2 , is about 3-7mm. In another illustrative approach, the height of the disk 42, h_2 is about 4-6 mm. In yet another approach, the height of the disk 42, h_2 , is about 4.8 mm.

[0085] The width, w_1 , of the planar portion of the disk 42, as shown in FIG. 7D, in some embodiments is between about 0.75 mm to about 3mm. In one illustrative approach, the width of the disk 42, w_1 , is about 1-2 mm. In one exemplary approach, the width of the disk 42, w_1 , is about 1.3 mm. The width of the central pinhole opening 48, as shown in, FIG. 2 as d_2 , is about 1-2 mm. In one exemplary approach, the width of the pinhole the disk 42, d_2 is about 1.5 mm.

[0086] As shown in FIG. 7E, each of the partial annular openings 50 may have a beveled edge on a surface of the disk 42 facing the base 20. This orientation may facilitate flow of fluid 5 (e.g., at least a portion of the fluid not retained in the internal shaft 36) back into the container body 12 when the bottle is placed in the cap-side up (upright) configuration. Further, the beveled edge also may facilitate moving the air back into the bottle to improve spring-back of the bottle or container body 12.

[0087] To facilitate proper dispensing of the fluid, the geometry of the disk 42 regulates the flow of the fluid 5 including for example, the size, shape, and angle of the flanges 54. In addition to the geometry discussed above, the disk 42 has sufficient openings therein relative to the area of the disk 42 to facilitate sufficient flow of the fluid 5, while nonetheless preventing leakage from the closure cap 18. The openings 50 are of a particular size, shape, and position to facilitate fluid flow that permits easy dispensing and quick spring back of the bottle. In one illustrative approach, the entire area of the disk is about 800 mm² and the aggregate area of the partial annular openings 50 and the central pinhole is about 211 mm² of that total area, or about 26% of the total area of the disk. By some approaches, the aggregate area of the openings of the disk will cover about 20-35% of the total disk area, and generally the partial annular openings comprise much more of this area than the central pinhole.

[0088] In FIG. 4, flow of ketchup during dispensing is shown as a dashed line. Flow of air into the bottle to replace ketchup after dispensing is shown as a heavy solid line. A lighter

solid line illustrates flow of serum that has separated from the fluid 5, into the mixing chamber 56 where it mixes back into the fluid 5.

[0089] In some illustrative approaches, the closure cap 18 (e.g., the base 20, the flip-top lid 22, and the disk 42) is comprised of a single material, such as, for example, a polypropylene or other food grade plastic or polymer, or similar recyclable material. In operation, having the closure cap 18 formed of a single material may increase the ease and likelihood of recycling the material. By some approaches, the material may be chosen with a specific surface tension. For example, the disk 42 surfaces (and potentially other internal surfaces of the closure cap) may be rougher or textured to provide flow resistance and help control the flow of the fluid being dispensed. As discussed further below, the interior surface of the internal shaft 38 also may be textured to inhibit flow or may have a smooth surface to facilitate movement of the fluid therethrough. A smooth surface may result in faster and/or less controlled fluid flow, and due to a reduction in surface tension, may also lead to leakage of the product or a separated component of the product. The finish of the material or the manner in which the element was formed also may impact the surface tension of the elements and help facilitate control of the fluid flow. For example, some portion of the flip-top cap 18 may be formed in such a manner as to create a rough surface that might impact the flow of the fluid 5 passing therethrough.

[0090] Turning briefly to FIG. 38, two different exemplary finishes 77 and 79 are illustrated. While a single interior wall 78 may have the entire surface thereof with a single texture or portions of the surface with different textures, the cap 2018 illustrated in FIG. 38 has a first portion 2078 with a rougher texture and a second portion 2178 with a smoother texture. As noted above, the surface of the material forming the cap 18 may inhibit, slow, or restrict flow of the fluid 5 within the bottle. Whether or not to include a textured surface on portions of or the entire cap, such as, for example, the inner wall of the internal shaft, may depend on the type of fluid being advanced through the cap 2018.

[0091] As shown in FIG. 6, a first side of the disk 42 (which is disposed adjacent the internal shaft 36 of the base 20 when installed) includes rainbow-shaped or arcuate flanges or extensions 54 that extend therefrom. When the disk 42 is mounted in the base 20, the arcuate flanges or extensions 54 extend into the mixing chamber 56 and toward the base 20. The disk extensions 54 facilitate mixing of the fluid 5 in the mixing chamber 56 by requiring that the fluid

5 move around the extensions 54 and not directly into the fluid channels 58 from the partial annular openings 50.

[0092] As shown in FIG. 8, the base 20 at the opening 34 and the internal shaft 36 has an internal cut-off blade or ledge 60 on an inside surface adjacent the opening where the inner diameter of the internal shaft is sharply reduced. For example, the diameter of the internal shaft may decrease sharply at the ledge 60 such that the sharp edge helps to facilitate reduction of the tailing formation of the product by partially retaining the product in the closure until the manual pressure on the container body becomes significant enough to overcome the tendency of the fluid to be retained in the closure cap by the ledge. By one approach, the cut-off blade has a sharp edge without a burr thereon. In some configurations, the diameter of the opening into the container is smaller than the diameter of the internal shaft, and this reduction in size and the relatively sharp edge therebetween assist with cessation of dispensing in a quick and clean manner. While this cut-off blade does not prevent product from flowing out of the opening in the closure cap, it reduces the amount released under certain pressures by slowing the flow. By one approach, the cut-off blade is relatively small compared with the diameter of the shaft, while the opening into the container itself is between about 3.5mm to about 4.5mm, and in one illustrative embodiment, is about 4 mm.

[0093] As noted above, the internal shaft 36 may help support the disk 42 when the disk is attached to the base 20. By one approach, the internal or interior wall 78 of the internal shaft 36 funnels fluid 5 toward the opening 34. In one embodiment, the interior wall 78 forms at least one of a circular shape or a parabolic shape. FIG. 11 illustrates one example shape of an interior wall 79 that narrows slightly near the exit of the internal shaft 36. Further, in some embodiments, the shaft 36 may flare open again adjacent the opening 34. By flaring a bit where the opening meets the upper surface of the base, the opening permits the projection 90 to more easily and quickly be placed in the opening 34 when closing the flip-top lid 18. In yet another configuration, shown in FIG. 12, the interior wall 78 has straight portions that are generally vertical and then has angled portions that direct the fluid 5 to the opening 34. FIG. 13 is similar to the internal shaft 36 of FIG. 12, but further includes a cut-off blade 60 or sharp reduction in the diameter of the internal shaft 36 to assist with cessation of dispensing of the fluid 5, as discussed above. Additional examples of cut-off blade configurations or internal projections

around the opening are illustrated in FIGS. 14 and 15. FIG. 14 illustrates an opening 134 with a cut-off blade 160 that has an inner surface that is angled slightly downward or toward the throughopening without a horizontal shelf extending therefrom, whereas the previously discussed FIG. 13 includes a downward angled portions but has a horizontal cut-off blade 60 extending therefrom. Further, FIG. 15 illustrates an opening 234 with a cut-off blade 260 having an inner surface that is angled away from the throughopening.

[0094] FIGS. 16 and 17 illustrate two options for the configuration of the surface of the container or dome on the outside of the opening 34. For example, FIG. 16 illustrates a rounded edge at the juncture where the central portion 30 meets with the opening 34. Previously discussed figures 14 and 15 have an angled depression around the opening at that location. Further, FIG. 17 illustrates a depression 161 with a sloping wall surface between the central portion 30 and the opening 34.

[0095] The bottle 10 and the closure cap 18 may be produced in a number of different manners. In one illustrative approach, a method of manufacturing or producing a filled bottle for dispensing fluid includes molding a receptacle, such as a container body with a threaded neck, filling the receptacle with a fluid, such as a thixotropic fluid, molding a closure cap having a base and a flip-top lid and a disk, and closing the filled receptacle with the closure cap. Further, a bottle may be formed and filled in-line or may be formed at one location and filled at another.

[0096] By one approach, the closure cap and disk are separately molded and snapped together. In some configurations, the molded base has an inner and outer skirt with base threads disposed on the inner skirt that are configured to engage the threads on the neck of the receptacle. Further, the molded base may have one or more retaining rings on the inner skirt (a short distance from the threads) and a central, dome-shaped portion having an opening therein aligned with an internal shaft terminating at a non-planar end surface opposite the central, dome-shaped portion. As mentioned above, the opening in the base permits fluid to egress therethrough when the opening is unobstructed. In some configurations, the molded flip-top lid has an interior projection that is movable between a first position and a second position, where the projection blocks the opening of the base inhibiting egress of the fluid inside the container body in the first position, and the second position permits egress of the fluid through the opening of the base.

[0097] As mentioned above, the closure cap and disk, in some approaches, are separately molded and then secured to one another or snapped together. In such configurations, the method of manufacturing also may include an assembling step that orients the disk in a particular position relative to the remainder of the closure cap or base 20. By including one or more orientation steps prior to assembling the disk with the remainder of the closure cap, the assembled caps are more likely to have a consistent flow rate therethrough. Further, in some configurations, the flow rate can be adjusted for different fluids by adjusting the relative positioning of certain elements of the closure cap or disk without requiring structural changes thereto. By one approach, a visual mark or indented notch disposed on one or both of the closure cap or disk may be used to help position the disk and/or closure cap relative to one another.

[0098] This may depend, in part, on the configuration of the various elements thereof. In one illustrative example, such as the base 20 of FIG. 5, the non-linear terminating surface 38 of the internal shaft 36 includes three cutouts, whereas the disk 42 of FIG. 6, includes four flanges 54. The flow of the fluid through the assembled closure cap may be impacted by the orientation of the flanges 54 relative to the cutout openings of the internal shaft 36. Thus, these two structural elements may be oriented relative to one another to facilitate increased fluid flow therebetween or to slow fluid flow by requiring the fluid to take a longer pathway to the exit of the bottle. Given the interest in adjusting the fluid path or standardizing the flow rate for numerous closure caps, the method of manufacturing or assembling the closure cap and bottle may include orienting the disk in a particular manner relative to the remainder of the closure cap.

[0099] As suggested above, the method for producing the filled bottle may include snapping a disk into the retaining ring(s) of the closure cap. The molded disk, in some configurations, includes a central pinhole and partial annular slots disposed around the central pinhole. Once the disk is attached to the remainder of the closure cap 18, the disk 42, the central portion of the base 20, the inner skirt 26, and the internal shaft 36 of the base define a mixing chamber 56 and multiple fluid channels 58 are formed by the non-planar end surface of the internal shaft 36 and the disk 42. The channels 58 formed between the end of the internal shaft 36 and the disk 42 permit fluid to advance from the mixing chamber 56 to the chute formed by the internal shaft 36 that is in communication with the opening 34.

[00100] The filled receptacle or container body, in some configurations, is sealed with the fluid therein by a liner associated with the closure cap. For example, a liner, such as a liner of a paperboard, plastic, and/or metallic material is associated with a portion of a retaining ring and when the closure cap 18 is threadingly attached to the container body, the liner seals the fluid 5 in the container.

[00101] Further, in some approaches, a method of manufacturing a closure cap includes forming, in a mold, a flip-top closure cap including a base and a flip-top lid. In some embodiments, the molded base has a dome-shaped wall with an opening therethrough and an inner shaft extending therefrom, an inner skirt with threads thereon, an outer skirt connected to the inner skirt by a planar portion and/or possible strengthening ribs, and a retaining ring on the inner skirt. The internal shaft of the molded base generally extends inwardly from the dome-shaped wall and terminates at a non-planar end surface. Further, the molded closure cap also has a flip-top lid hingedly connected to the base, where the flip-top lid has an interior projection and is movable from a first position where the interior projection blocks the opening to a second position where the interior projection does not obstruct the opening of the base. The method of manufacturing the closure cap, in some configurations, further includes snapping a disk into the retaining ring(s) or projection(s) of the base. In some embodiments, the disk has a central pinhole, partial annular slots disposed around the central pinhole, and flanges, that when installed, extend toward the base and are disposed in between the internal shaft and the partial annular slots. Once the disk and base are attached, a mixing chamber is formed between the disk, the dome-shaped wall, the inner skirt, and the internal shaft, wherein multiple fluid channels are formed by the non-planar end surface of the internal shaft and the disk.

[00102] In some configurations, the closure cap is made from only two separate components, including the flip-top cap and the disk, where the flip-top cap comprises the base and flip-top lid formed in a single, integral, unitary, one-piece structure, and wherein the two separate components (i.e., the flip-top cap and disk) are made of the same material, and are assembled. In operation, after the closure cap is molded and ejected from the mold, a mechanism can be used to assemble the disk into the closure cap (which can be formed at the same mold as the base and flip-top lid or at a different location), such as, for example, by snapping it into place in the base. Further, the mechanism or another device may be used to

attach a liner to the retaining rings, which may help seal the fluid in the bottle. The base and flip-top lid, in some configurations, are molded in the same mold as the disk; in other configurations, the disk, along with the base and flip-top lid, are separately molded at the same mold. Further, the base and disk may be separately molded and assembled at another station. In yet other configurations, the entire closure cap (including the base, flip-top lid, and disk) might be molded or printed together.

[00103] As mentioned above, a number of adjustments to the concepts described herein may be made while remaining consistent with these teachings. For example, FIGS. 18 and 19 illustrate another embodiment of a disk with annular openings. As shown, the disk 342 has a central portion 384 that is disposed a vertical distance from the peripheral portion 386, which has the annular openings 350 disposed therein. In such a configuration, the mixing chamber 356 may be designed to have a volume that is somewhat independent of the volume of the discharge shaft or chamber formed by the internal shaft 356. Indeed, the mixing chamber 356 is somewhat smaller than some of the others discussed above. To permit the flow of fluid 5 from the mixing chamber 356 to the internal shaft 356 forming the discharge chamber, the radius of the central portion 384 may be sufficiently large enough, as compared to the radius of the internal shaft 336 to provide clearance for the fluid 5 to pass from the mixing chamber 356 through the openings or fluid channels 358 formed between the internal shaft 336 and the mixing chamber 356 and/or the openings 358 may extend such that they have a height or location that is disposed beyond the vertical portion of the disk 342 that may be disposed adjacent the internal shaft 336. In short, the openings between the mixing chamber 356 and the internal shaft 358 may be moved or sized to permit fluid flow even if the central portion 384 is not notably larger than the internal shaft. Further, while the central portion 384 is illustrated as lacking a central pinhole in FIGS. 18 and 19, in some configurations, the central portion 384 may include such an air vent formed via a pinhole or other structure. In addition, the disk 342 may be mated to the remainder of the cap in any of the manners, such as, for example, via a snap fit between portions of the base including ribs and/or projections or other complementary geometry between the disk and the base. FIGS. 20 and 21 illustrate another example of a disk 442, which lacks the central pinhole 48 found in some of the other embodiments. Also, while FIGS. 18 and 19 do not include flanges similar to

those described above, the vertical portion of the disk separating the central portion 384 and the peripheral portion 386 operates similarly to mix the product therein.

[00104] Turning to FIGS. 22 and 23, another embodiment is illustrated and is a three-part solution having a disk 542 that is flat and an inner cap or inner cylindrical housing 596. By one approach, the inner cylindrical housing 596 includes a circular wall 592 with one or more openings 598 disposed therein. In this manner, the mixing chamber 556 is in fluid communication with an intermediate chamber 594 defined, in part, by the inner cylindrical housing 596. By one approach, the inner cylindrical housing 596 is arranged in position about the internal shaft 536 and held into place via the disk 542 that is retained in position by the retaining members 544, such as rings. In addition, the inner cylindrical housing 596 also may be securely attached to the central portion 530. When the inner cylindrical housing 596 is disposed in position about the internal shaft 536, the fluid 5 advances from the bottle to the exit or opening 534 by advancing through the annular openings 540, through the openings 598 of the inner cap 592 and upward along the length of the internal shaft 536 through the internal opening 588 of the internal shaft 536 and down the shaft to the exit opening 534. As shown the disk 542 includes annular openings 540 but lacks a central pinhole because the inner cylindrical housing 596 lacks an opening in the surface thereof between the walls 592. In this manner, the fluid 5 travels and mixes as it advances through the fluid channels of the three-part cap 518. In addition to mixing, this configuration may be particularly useful for larger containers where the downward force on the fluid when the container is inverted are quite large because of the significant amount of product that might be disposed above the cap.

[00105] Also, while FIGS. 20-23 are not illustrated as including the flanges extending from the disk, in some configurations, the disks may include flanges similar to those described above.

[00106] The exterior shape of the central portion of the base also may have a variety of configurations. As noted above, the central portion 30 of the base 20 may have a dome-shaped configuration, such as that incorporated into the cap 18 illustrated in FIG. 24. FIG. 25 illustrates a portion of a cross section of the exit 34 of the dome-shaped central portion 30 of FIG. 24. Further, FIG. 26 further illustrates the dome-shaped central portion in cross section. While the dome-shaped central portion 30 of the base 20 provides a surface that easily wipes clean, other

configurations with similar properties may be employed with the teachings described herein. For example, FIG. 27-29 illustrate another exemplary embodiment with a cap 618 having a central portion 630 with a general volcano-shape with sloping walls and an opening 634 disposed in the center thereof. Further, FIGS. 30-32 illustrate yet another embodiment including a cap 718 with a flap central portion 730 and opening therein 734 with flat surfaces surrounding the exterior of the opening 734. Further, while the exemplary shapes shown in FIGS. 24-32 illustrate openings with an exemplary cut-off blades, these various shapes may be incorporated with other opening shapes and aspects described herein.

[00107] As noted above, the mixing chambers described herein permit separated serum to be incorporated or mixed back into the fluid before the fluid and/or portions thereof are discharged from the opening of the container cap. By one approach, the desired size of the mixing chamber may depend, in part, on the viscosity or other fluid attributes of the fluid or product in the container. By one approach, the size of the mixing chamber 56 is defined, in part, by the size of the internal shaft 36, the location of the disk 42 via the corresponding geometry of the base, and/or the configuration of the disk, as mentioned above. Turning briefly to FIGS. 33 and 34, two differently sized mixing chambers 56 and 56' are illustrated. While the components are similar, the walls forming the internal shaft 36 are longer in FIG. 34 than the walls of shaft 36' in FIG. 33 and the corresponding geometry (such as, for example, the retaining rings 44') are disposed a larger distance away from the central surface 30' of the base 20', as compared to the corresponding geometry (e.g., the retaining rings 44) and central surface 30 of the base 20. While the relative size of these components may change, as shown, the function thereof remains; that is, the mixing chamber assists with preventing separated serum from leaking from the bottle separately from the remainder of the fluid product 5.

[00108] As discussed above, the interior walls 78 of the internal shaft may have a cross section that forms different shapes, such as, for example, a circle or an ellipse, among others. In addition, the shape formed or configuration of the interior wall 78 along the length thereof may adopt a variety of configurations. As illustrated, for example, in FIGS. 4, 14 and 15, the internal shaft 36, 136, 236 may have generally linear interior wall 78 along the height of the internal shaft 36. In other embodiments, the internal shaft 36 may have one or more interior walls 78 that are non-linear. In one embodiment, FIG. 35 illustrates an interior wall 878 of the internal shaft 836

that angles toward the opening 834. By one approach, the downward angle provides the cross section with a v-shaped configuration. In another embodiment, FIG. 36 illustrates an internal shaft 936 having an interior wall 978 with a downward slope that is slightly non-linear. By one approach, the downward slope provides the cross section with a modified u-shape. In another embodiment, FIG. 37 illustrates an internal shaft 1036 having an interior wall 1078 having a stepped configuration that narrows the diameter in a stepped manner.

[00109] Those skilled in the art will recognize that a wide variety of other modifications, alterations, and combinations can also be made with respect to the above described embodiments without departing from the scope of the invention, and that such modifications, alterations, and combinations are to be viewed as being within the ambit of the inventive concept.

CLAIMS

What is claimed is:

1. A dispensing bottle comprising:

a container body with a thixotropic fluid therein, the container body having a neck with threads thereon;

a cap having a base and a flip-top lid,

the base having a skirt with base threads disposed thereon, the base threads configured to engage the threads on the neck, a retaining ring, and a central portion having an opening therein aligned with an internal shaft terminating at a non-planar end surface opposite the central portion, the opening permitting the fluid to egress therethrough when the opening is unobstructed,

the flip-top lid having an interior projection and being reclosably movable between a closed first position to an open second position, where the projection blocks the opening of the base inhibiting egress of the fluid inside the container body in the first position and the second position permits egress of the fluid through the opening of the base;

a disk attached to an interior of the base, the disk having a pinhole and partial annular slots disposed around the pinhole; and

a mixing chamber defined by the disk, the central portion, the skirt, and the internal shaft, wherein multiple fluid channels are formed by the non-planar end surface of the internal shaft and the disk:

wherein the cap is capable of maintaining the thixotropic fluid in stable equilibrium without leakage with the bottle in an inverted position such that the cap is at the bottom thereof, with the flip-top lid in the closed first position; and

wherein application of pressure to the container body with the flip top lid in the open second position enables controlled dispensing of the thixotropic fluid, with fluid being dispensed through the partial annular openings, through the mixing chamber, and through the fluid channels before exiting the dispensing bottle via the opening in the base, and wherein release of pressure on the container body enables prompt cessation of dispensing by permitting air to flow back into the

container body, and spring back and reversal of flow of thixotropic fluid in the interior channel, without movement of the disk relative to the base.

2. The dispensing bottle of claim 1 wherein the mixing chamber has a capacity of about 2 mL to about 11 mL and wherein the disk is attached to the base via a retaining ring.

3. The dispensing bottle of claim 2 wherein the mixing chamber has a capacity of about 5 mL to about 7 mL for a dispensing bottle having a capacity of about 250ml to 1000ml.

4. The dispensing bottle of claim 1 wherein the mixing chamber prevents serum from leaking from the dispensing bottle and wherein the mixing chamber mixes serum that has separated from the thixotropic fluid back into the thixotropic fluid.

5. The dispensing bottle of claim 1 wherein the thixotropic fluid travels from the container body through the partial annular slots, through the mixing chamber, through the channels formed by the internal shaft and the disk, and through the opening in the central portion of the base, and through pinhole in the disk during dispensing.

6. The dispensing bottle of claim 1 further comprising an internal cut-off blade having a ledge on an inside of the opening.

7. The dispensing bottle of claim 1 wherein the central portion comprises a dome-shaped central surface having a peripheral planar surface therearound.

8. The dispensing bottle of claim 1 wherein the non-planar end surface terminating the internal shaft opposite the central portion comprises a stepped configuration creating a plurality of teeth and a plurality of depressions in the non-planar end surface.

9. The dispensing bottle of claim 1 wherein the non-planar end surface terminating the internal shaft opposite the central portion comprises has at least some arcuate surface portions forming one or more depressions.

10. The dispensing bottle of claim 1 wherein the disk has a diameter of about 20-40mm and the internal shaft has a height of about 4-12mm and a diameter of about 3-9 mm.
11. The dispensing bottle of claim 1 wherein the disk is stationary relative to the base and both the cap and the disk are comprised of a single food grade plastic.
12. The dispensing bottle of claim 1 wherein air is admitted through at least one of the pinhole and the partial annular slots.
13. The dispensing bottle of claim 1 wherein the disk further comprises a plurality of extensions extending from a first side of the disk such that the extensions extend toward the base when the disk is attached thereto.
14. The dispensing bottle of claim 1 wherein the retaining ring comprises two retaining rings, wherein one of the two retaining rings has a bottle liner associated therewith that seals the thixotropic fluid within the container body.
15. The dispensing bottle of claim 1 wherein the disk further includes one or more intermediate openings between the annular slots and the pinhole.
16. A method of manufacturing a filled dispensing bottle, the method comprising:
 - molding a receptacle;
 - filling the receptacle with a thixotropic fluid;
 - molding a closure cap having a base and a flip-top lid,
 - the base having an inner and outer skirt with base threads disposed on the inner skirt, the base threads configured to engage the threads on the neck, a retaining ring on the inner skirt, and a central, dome-shaped portion having an opening therein aligned with an internal shaft terminating at a non-planar end surface opposite the central, dome-shaped portion, the opening permitting fluid to egress therethrough when the opening is unobstructed,

the flip-top lid having an interior projection and being movable between a first position and a second position, where the projection blocks the opening of the base inhibiting egress of the fluid inside the container body in the first position, and the second position permits egress of the fluid through the opening of the base;

snapping a disk into the base of the closure cap, the disk having a pinhole and partial annular slots disposed around the pinhole, wherein the disk, the central portion of the base, the inner skirt of the base, and the internal shaft of the base form a mixing chamber and multiple fluid channels are formed by the non-planar end surface of the internal shaft and the disk; and

closing the filled receptacle with the closure cap.

17. The method of manufacturing a filled dispensing bottle of claim 16 further comprising sealing the receptacle with a liner associated with the closure cap.

18. A closure cap for a container, the closure cap comprising:

a base having, at least, a dome-shaped wall with an opening therethrough, an inner skirt, an outer skirt connected by a planar portion, threads and a retaining ring on the inner skirt, and an internal shaft inwardly depending from the dome-shaped wall, the internal shaft terminating at a non-planar end surface;

a flip-top lid hingedly connected to the base, the flip-top lid having a projection and being movable between a first position where the projection blocks the opening and a second position where the projection does not obstruct the opening of the base; and

a disk attached to an interior of the base by snapping the disk into the base, the disk having a pinhole, partial annular slots disposed around the pinhole, and flanges extending toward the base, the flanges disposed in between the internal shaft and the partial annular slots when the disk is attached to the base; and

a mixing chamber defined by the disk, the dome-shaped wall, the inner skirt, and the internal shaft, wherein multiple fluid channels are formed by the non-planar end surface of the internal shaft and the disk.

19. The closure cap of claim 18 wherein the mixing chamber has a capacity of about 7 mL to about 11 mL and wherein the disk is attached to the base via a retaining ring.

20. The closure cap of claim 18 wherein the non-planar end surface terminating the internal shaft opposite the central portion comprises a stepped configuration creating a plurality of teeth and a plurality of depressions in the non-planar end surface.

21. The closure cap of claim 18 wherein the non-planar end surface terminating the internal shaft opposite the central portion comprises has at least some arcuate surface portions forming one or more depressions.

22. The closure cap of claim 18 wherein the disk has a diameter of about 20-40mm and the internal shaft has a height of about 4-12mm and a diameter of about 3-9mm

23. The closure cap of claim 18 wherein the disk is stationary relative to the base and both the cap and the disk are comprised of a single food grade plastic.

24. The closure cap of claim 18 further comprising an internal cut-off blade having a ledge on an inside of the opening.

25. The closure cap of claim 18 wherein the closure cap consists of only two separate components with the combination of the base and flip-top lid being a single, integral, unitary, one-piece structure and the disk being separately molded.

26. The closure cap of claim 18 wherein the internal shaft supports the disk when the disk is attached thereto and the internal shaft has an interior wall with at least one of a circular shape or a parabolic shape.

27. The closure cap of claim 26 wherein the interior wall angles inward toward the opening in the base at an end of the interior wall opposite the non-planar end surface and the internal shaft has a diameter that varies along the length of the internal shaft.

28. The closure cap of claim 19 wherein the retaining ring comprises two retaining rings, wherein one of the two retaining rings has a bottle liner associated therewith.

29. The closure cap of claim 19 wherein the disk further comprising a cone shaped extension extending from the disk toward the base.

30. A method of manufacturing a closure cap, the method comprising:

forming, in a mold, a flip-top cap including:

a base having, at least, a dome-shaped wall with an opening therethrough, an inner skirt, an outer skirt connected by a planar portions, threads and a retaining ring on the inner skirt, and an internal shaft inwardly depending from the dome-shaped wall, the internal shaft terminating at a non-planar end surface, and

a flip-top lid hingedly connected to the base, the flip-top lid having an interior projection and being movable from a first position where the interior projection blocks the opening to a second position where the interior projection does not obstruct the opening of the base; and

snapping a disk into the base of the flip-top cap, the disk having a pinhole, partial annular slots disposed around the pinhole, and flanges extending toward the base, the flanges disposed in between the internal shaft and the partial annular slots when the disk is attached to the base;

wherein the disk and the base form a mixing chamber defined by the disk, the dome-shaped wall, the inner skirt, and the internal shaft, wherein multiple fluid channels are formed by the non-planar end surface of the internal shaft and the disk.

31. The method of claim 30 wherein the closure cap is made from only two separate components, including the flip-top cap and the disk, and the flip-top cap comprises the base and flip-top lid formed in a single, integral, unitary, one-piece structure, and wherein the two separate components are made of the same material, and are assembled.

32. The method of claim 30 wherein the disk is snapped into one or more retaining rings and further comprising attaching a liner to the retaining ring disposed farthest away from the internal shaft.

33. A closure cap for a container, the closure cap comprising:

a base having, at least, a dome-shaped wall with an opening therethrough, an inner skirt, an outer skirt connected by a planar portion, and threads, and an internal shaft inwardly depending from the dome-shaped wall, the internal shaft terminating at a non-planar end surface;

a flip-top lid hingedly connected to the base, the flip-top lid having a projection and being movable between a first position where the projection blocks the opening and a second position where the projection does not obstruct the opening of the base; and

a disk attached to an interior of the base by snapping the disk into the base, the disk having one or more flanges extending from the disk toward the base, a centrally disposed post, and a plurality of openings therethrough; and

a mixing chamber defined by the disk, the dome-shaped wall, the inner skirt, and the internal shaft, wherein multiple fluid channels are formed by the non-planar end surface of the internal shaft and the disk.

34. A closure cap for a container, the closure cap comprising:

a base having, at least, a dome-shaped wall with an opening therethrough, an inner skirt, an outer skirt connected by a planar portion, and threads, and an internal shaft inwardly depending from the dome-shaped wall, the internal shaft terminating at a non-planar end surface;

a flip-top lid hingedly connected to the base, the flip-top lid having a projection and being movable between a first position where the projection blocks the opening and a second position where the projection does not obstruct the opening of the base; and

a disk attached to an interior of the base by snapping the disk into the base, the disk having a plurality of annular slots and a plurality of intermediate openings therethrough, wherein the intermediate openings are disposed between the plurality of annular slots and a center of the disk; and

a mixing chamber defined by the disk, the dome-shaped wall, the inner skirt, and the internal shaft, wherein multiple fluid channels are formed by the non-planar end surface of the internal shaft and the disk.

FIG. 1A

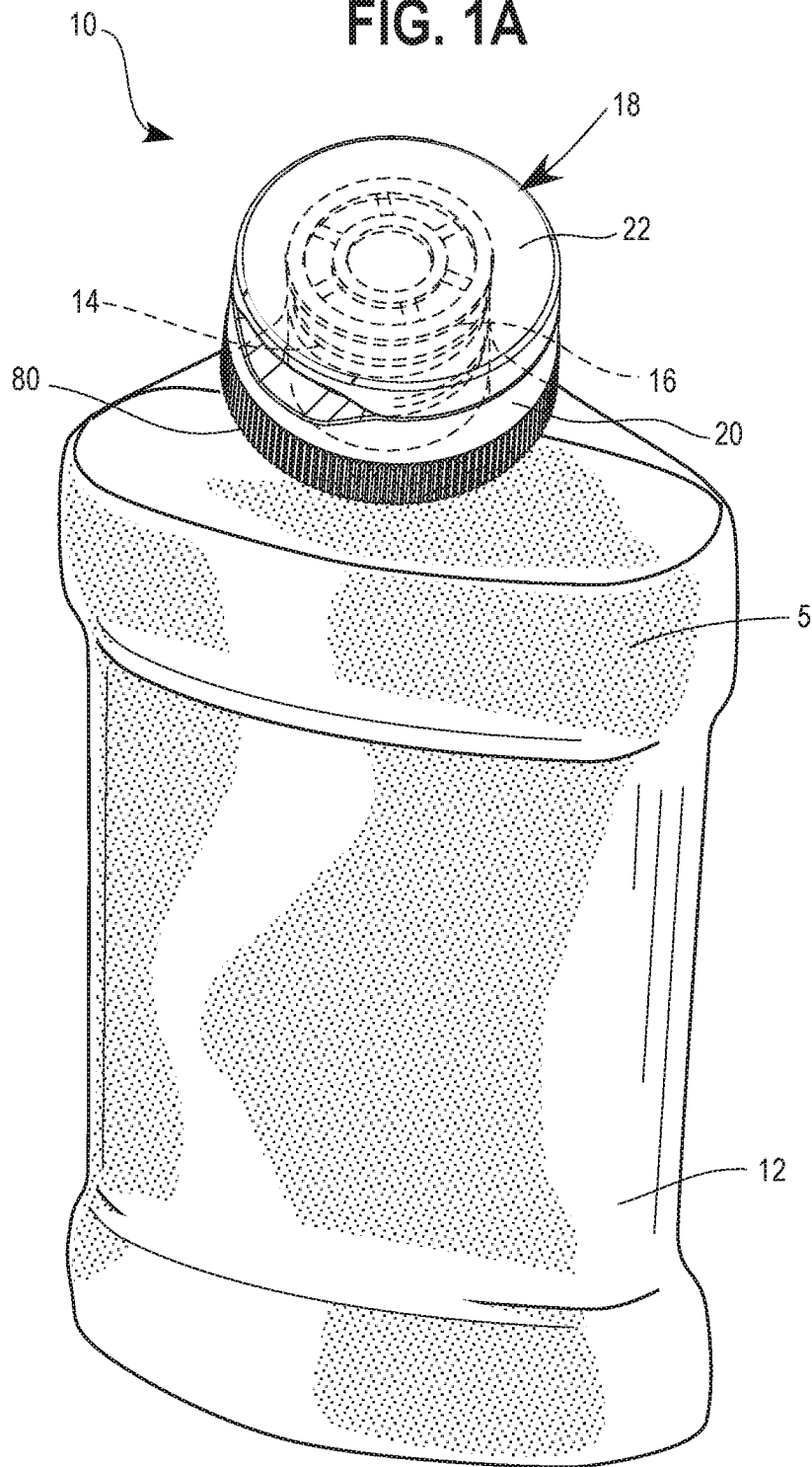


FIG. 1B

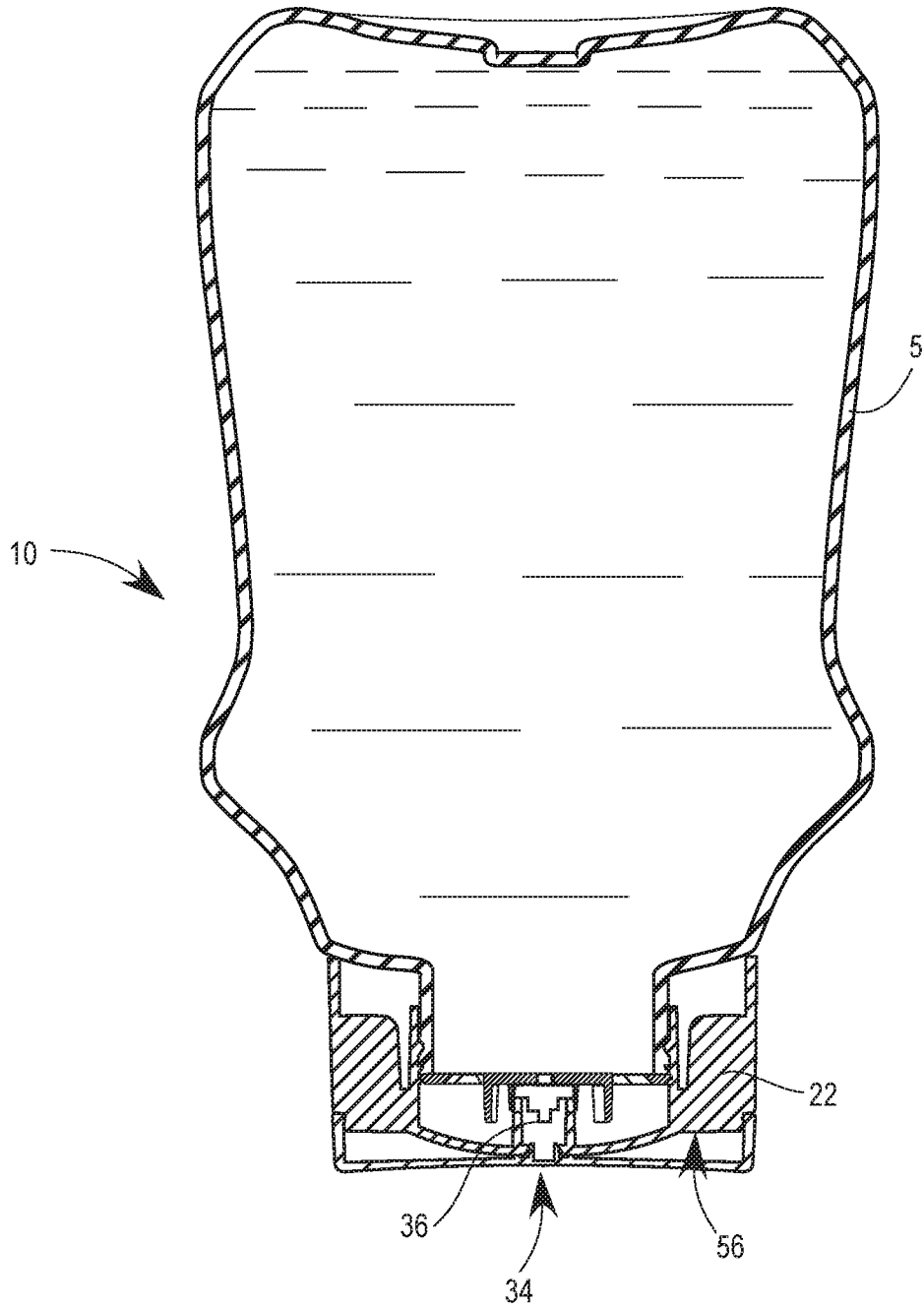


FIG. 2

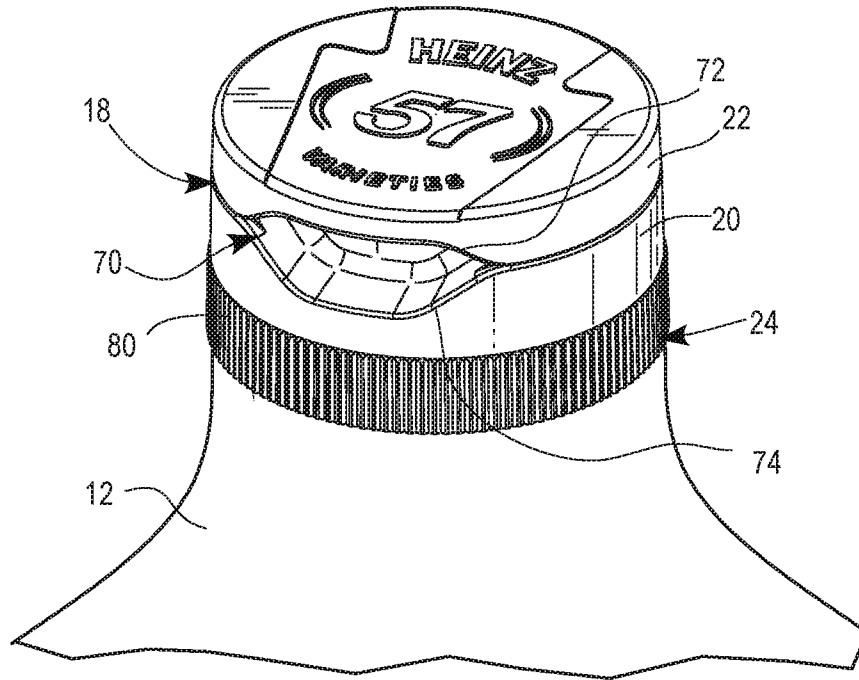


FIG. 3

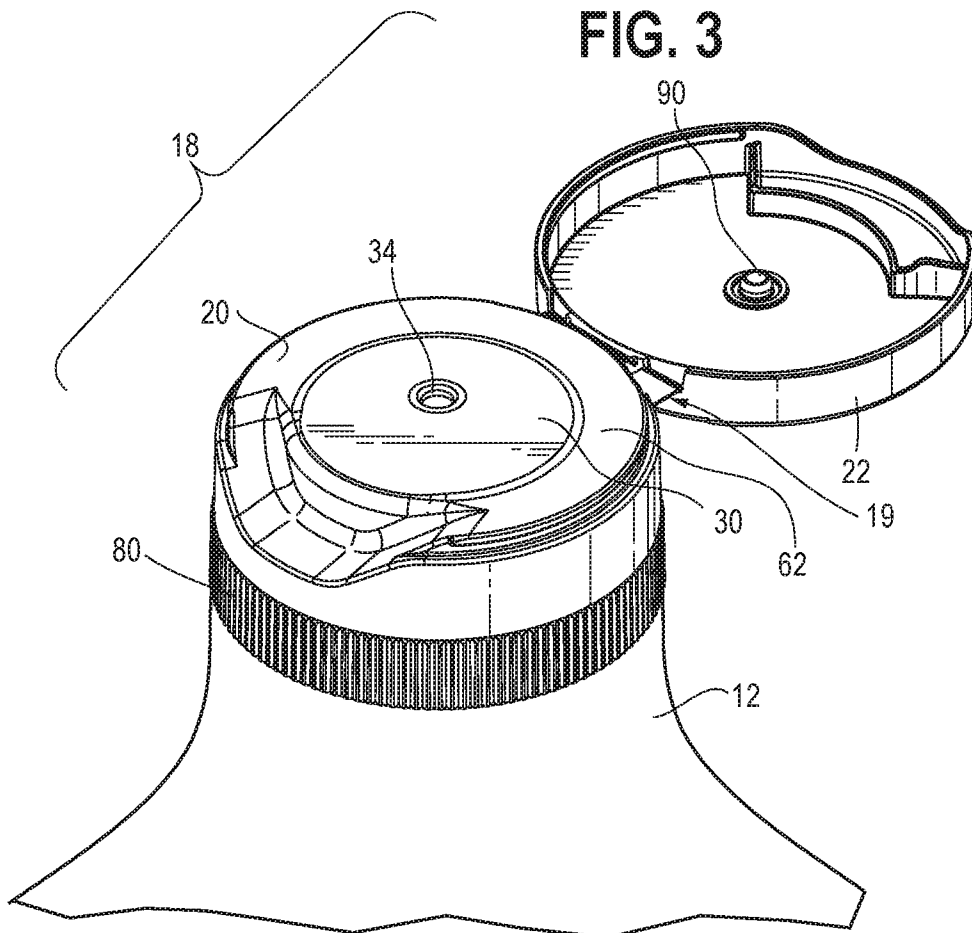
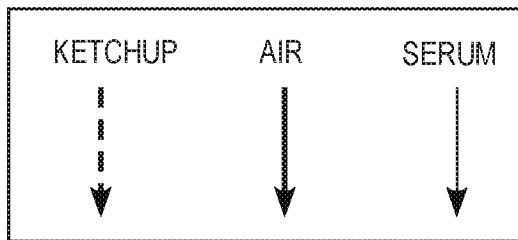
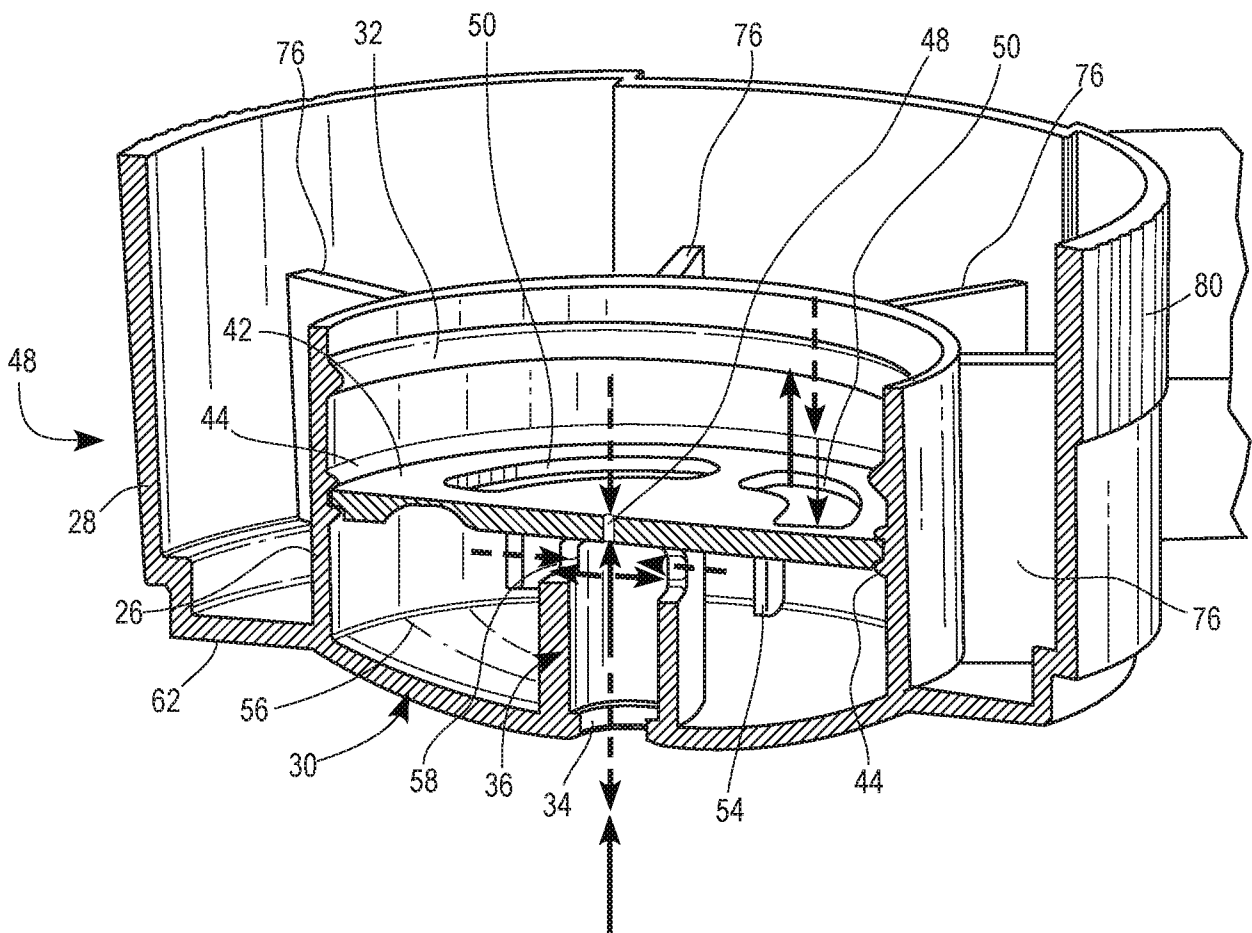


FIG. 4



5/31

FIG. 5

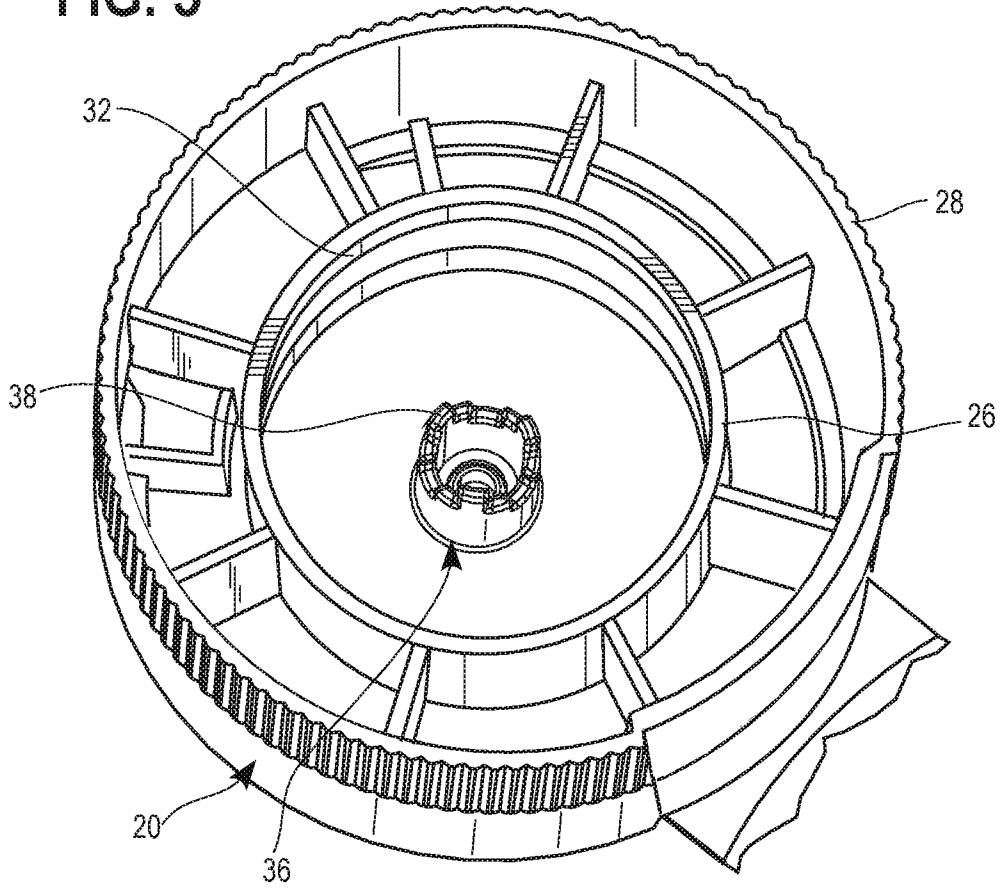


FIG. 6

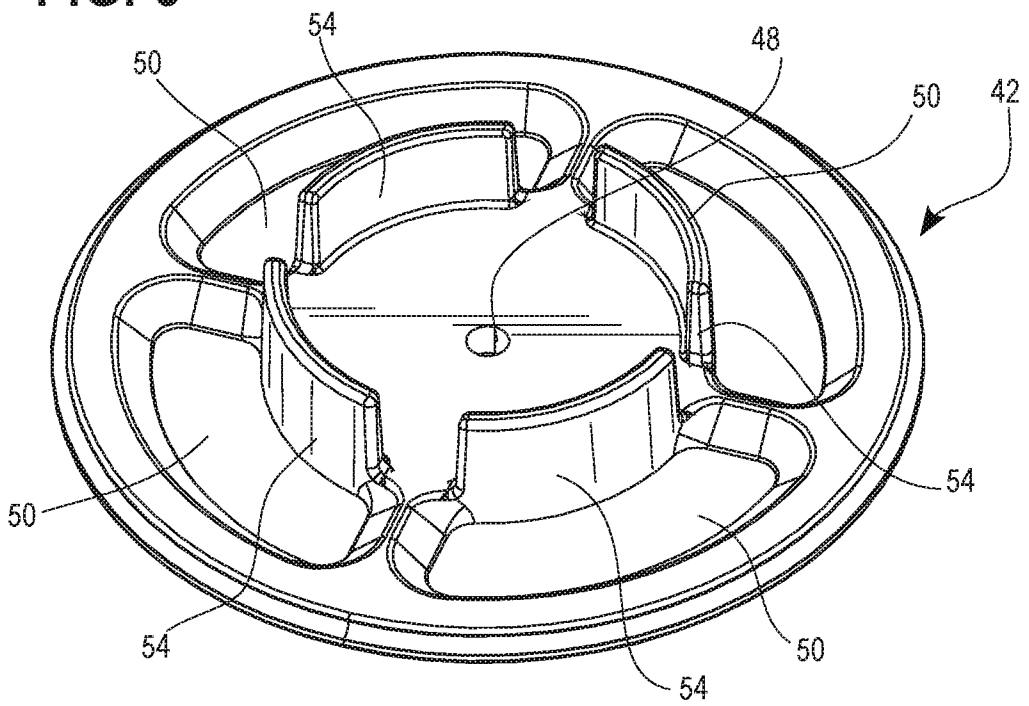
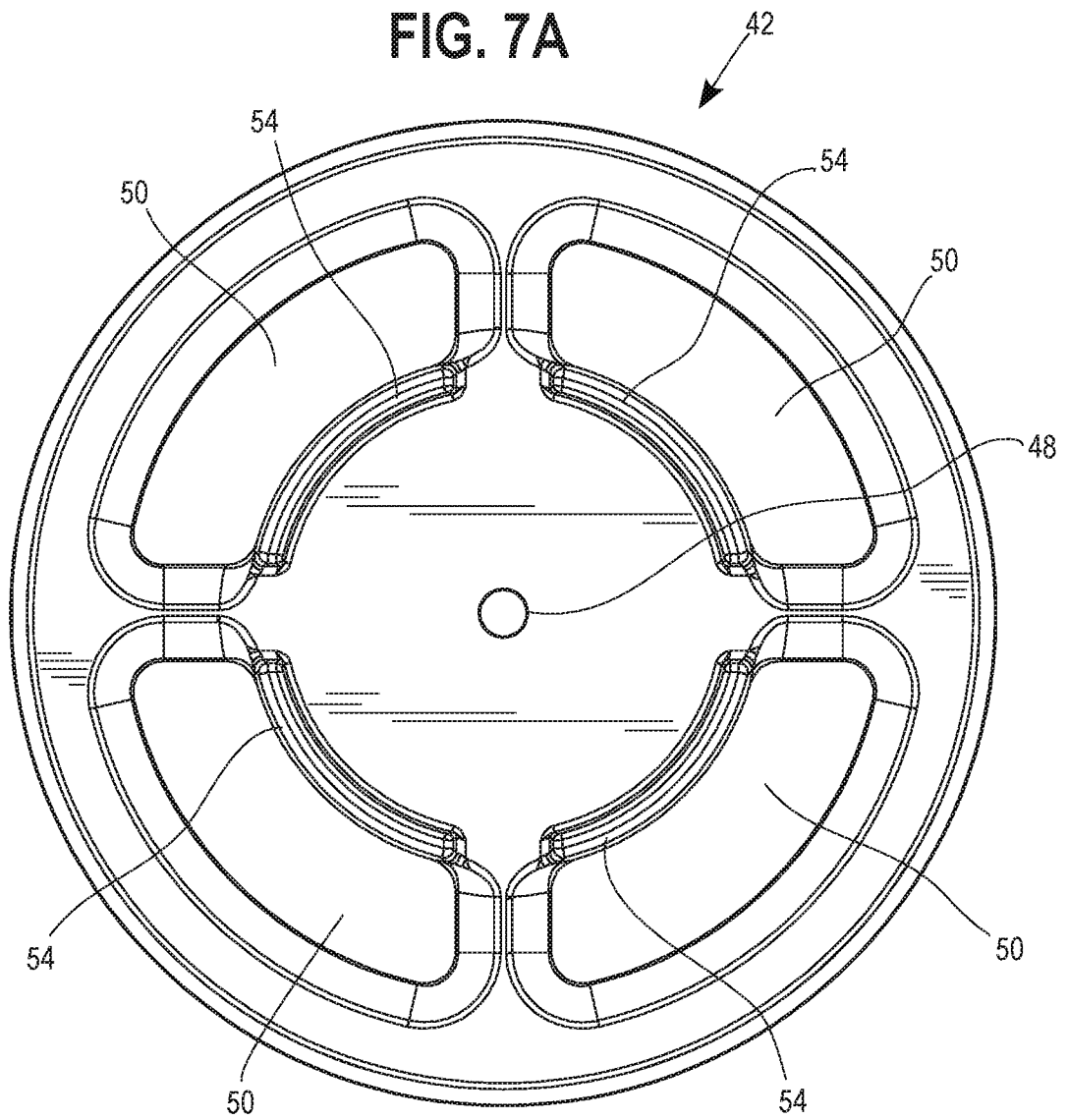


FIG. 7A



7/31

FIG. 7B

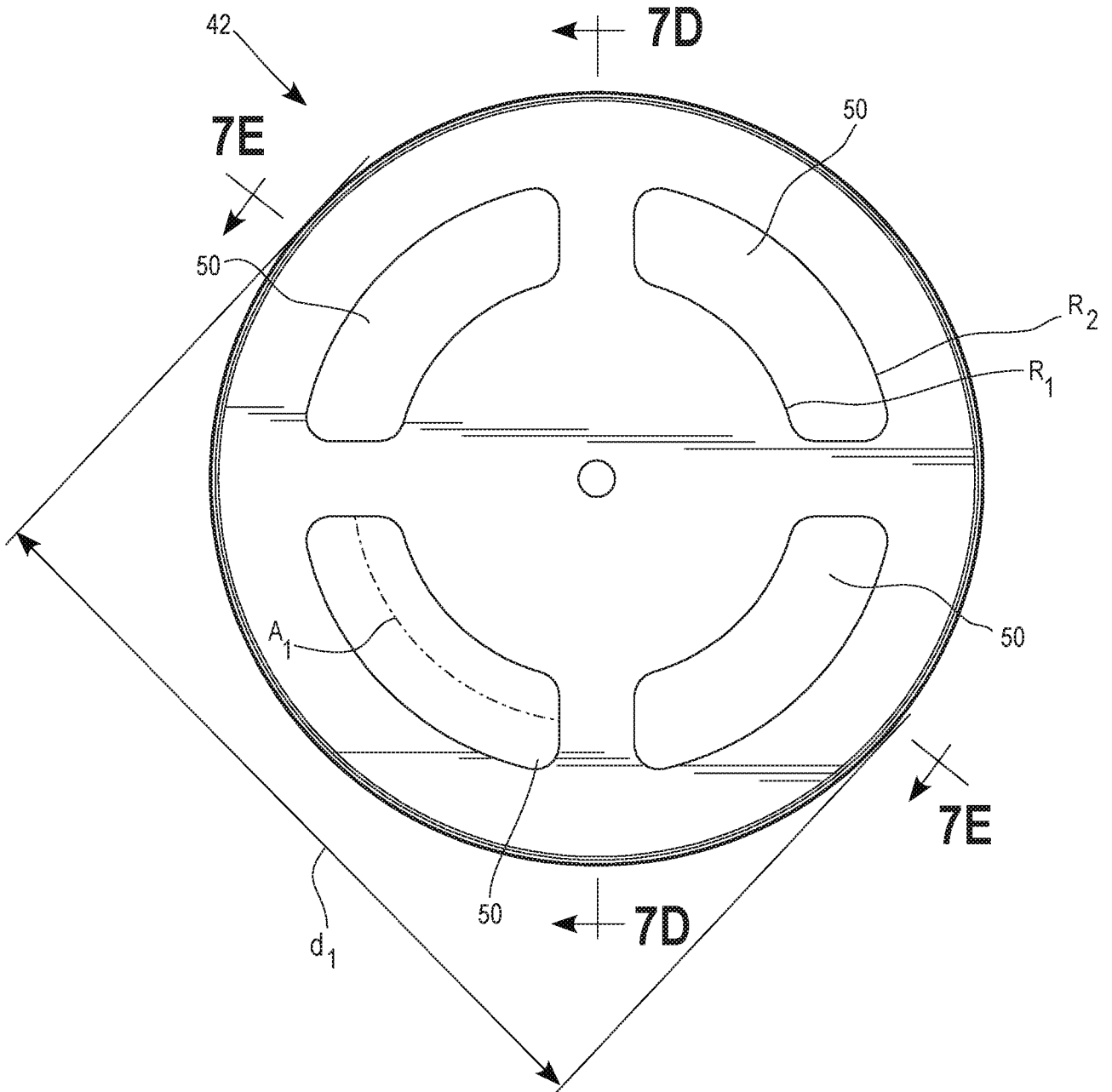


FIG. 7C

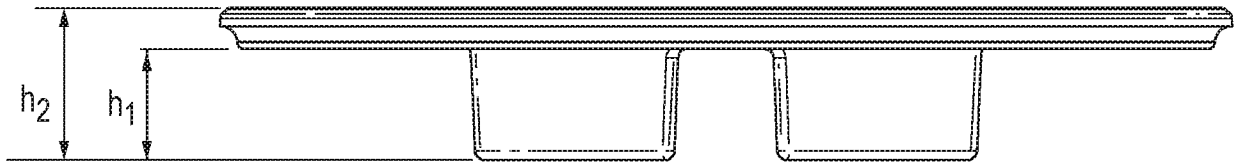


FIG. 7D

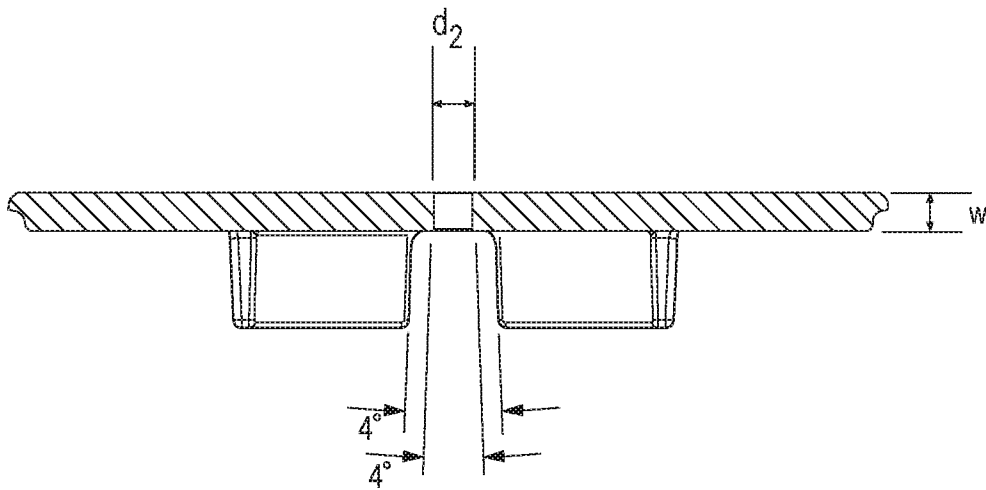
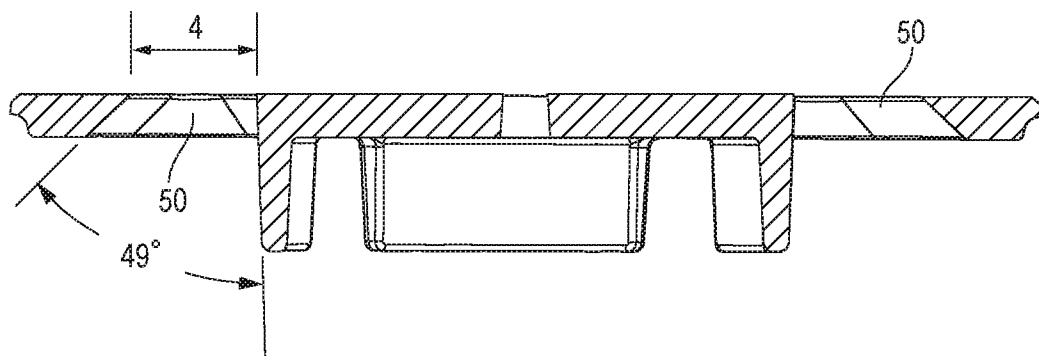


FIG. 7E



9/31

FIG. 8

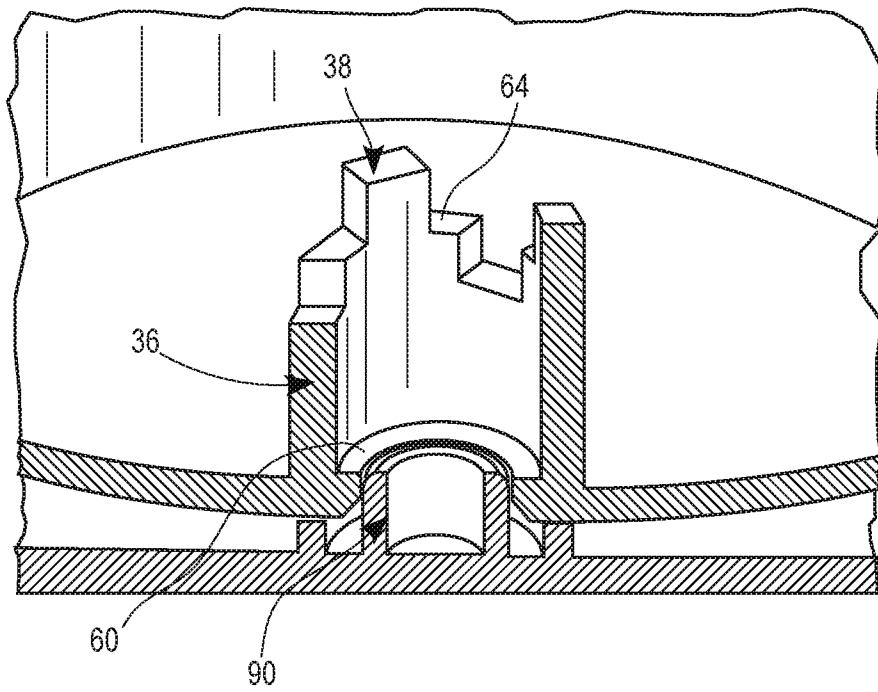


FIG. 9

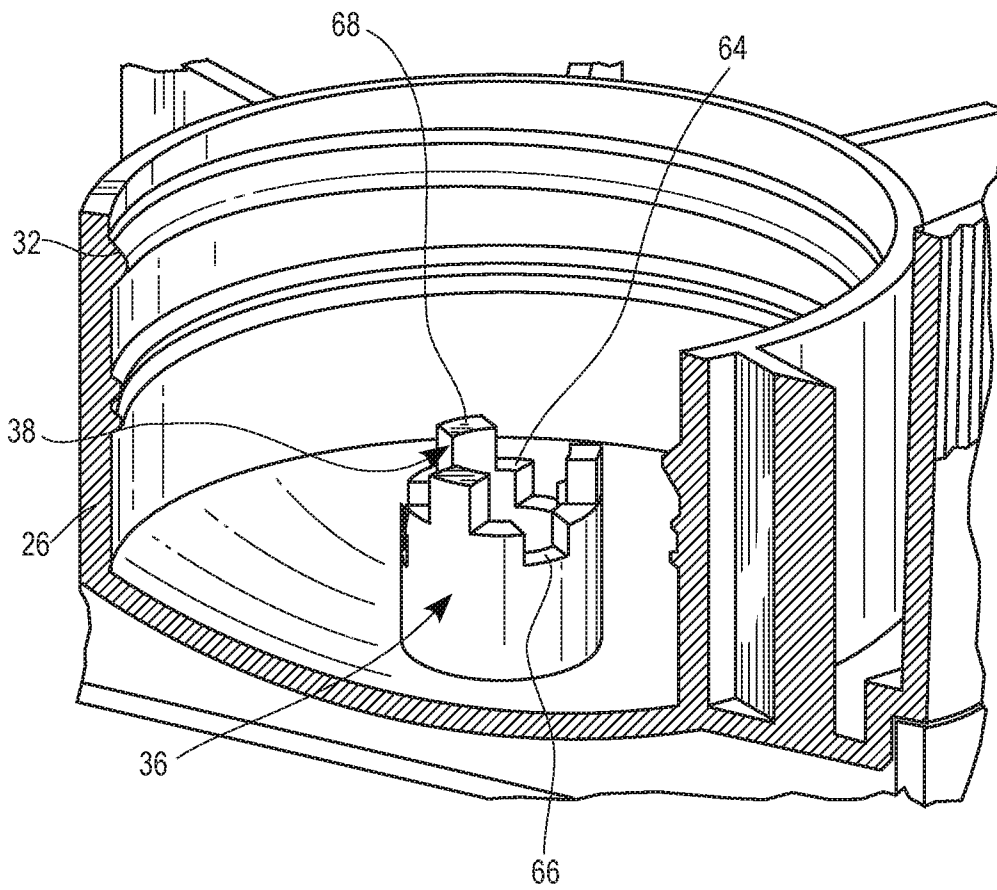


FIG. 10

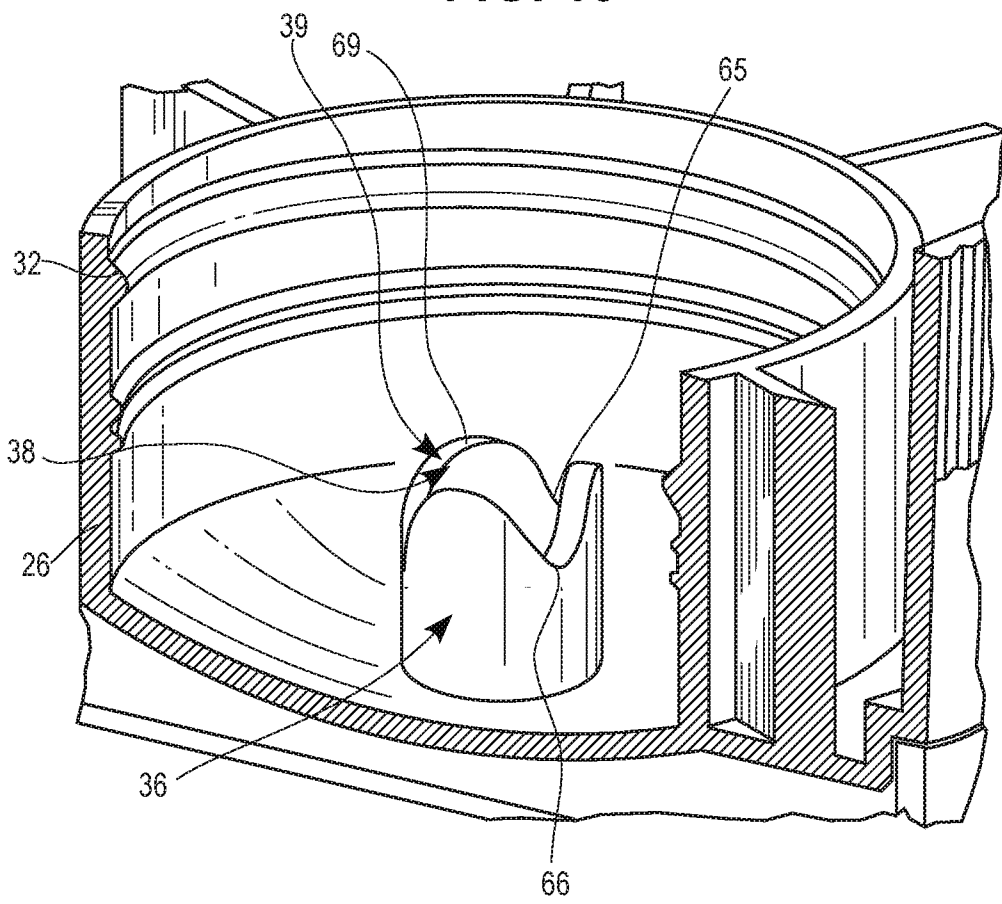


FIG. 11

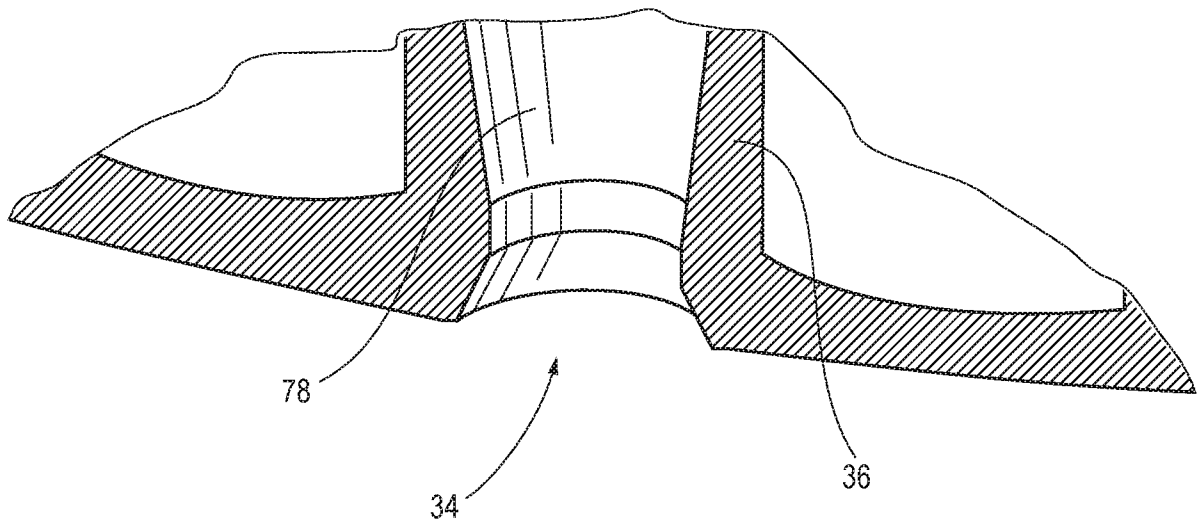


FIG. 12

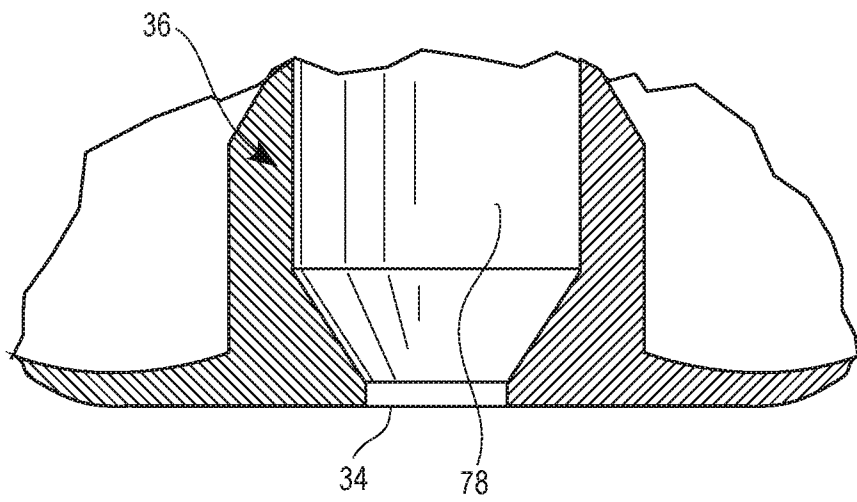


FIG. 13

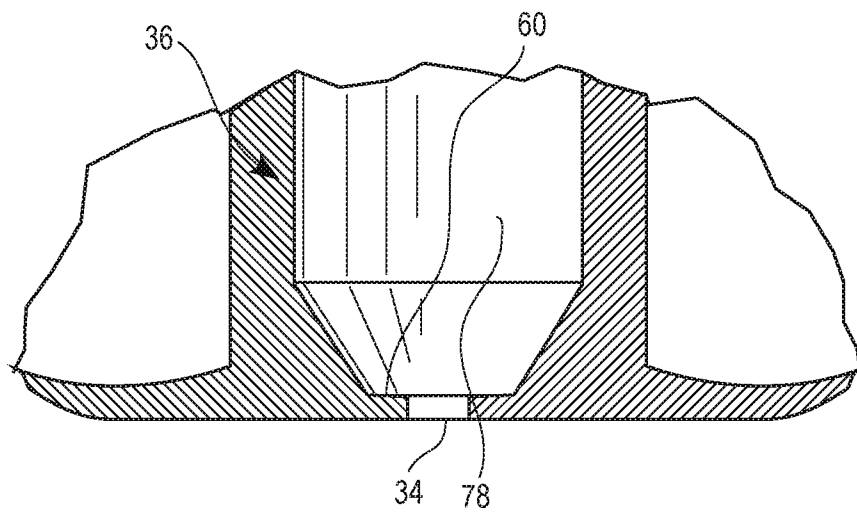


FIG. 14

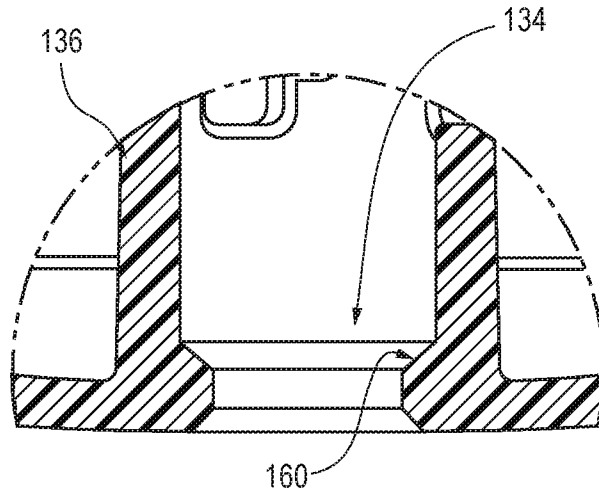
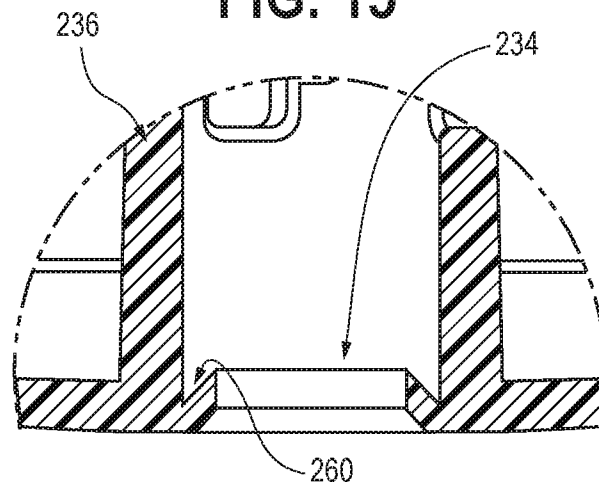


FIG. 15



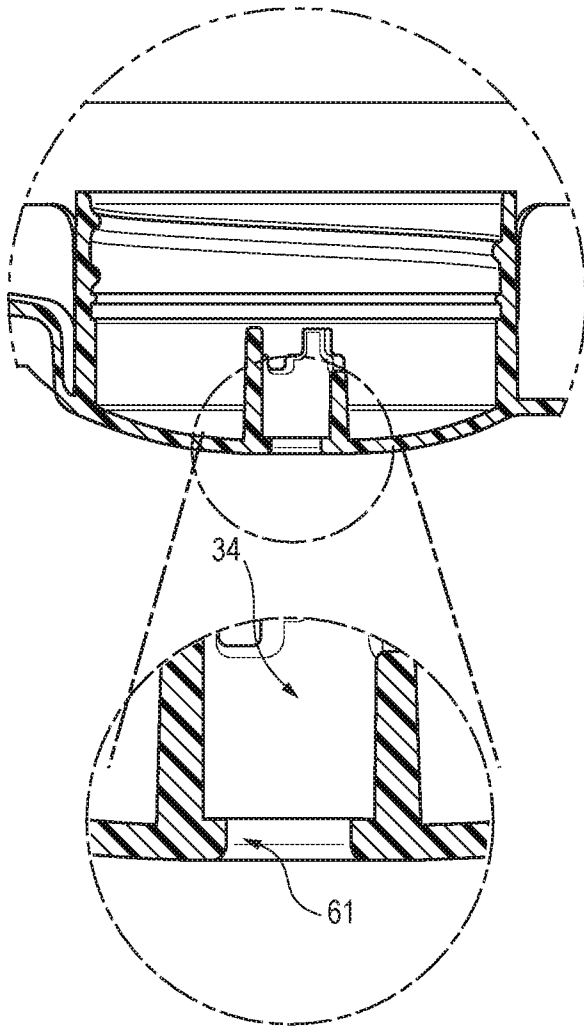


FIG. 16

FIG. 17

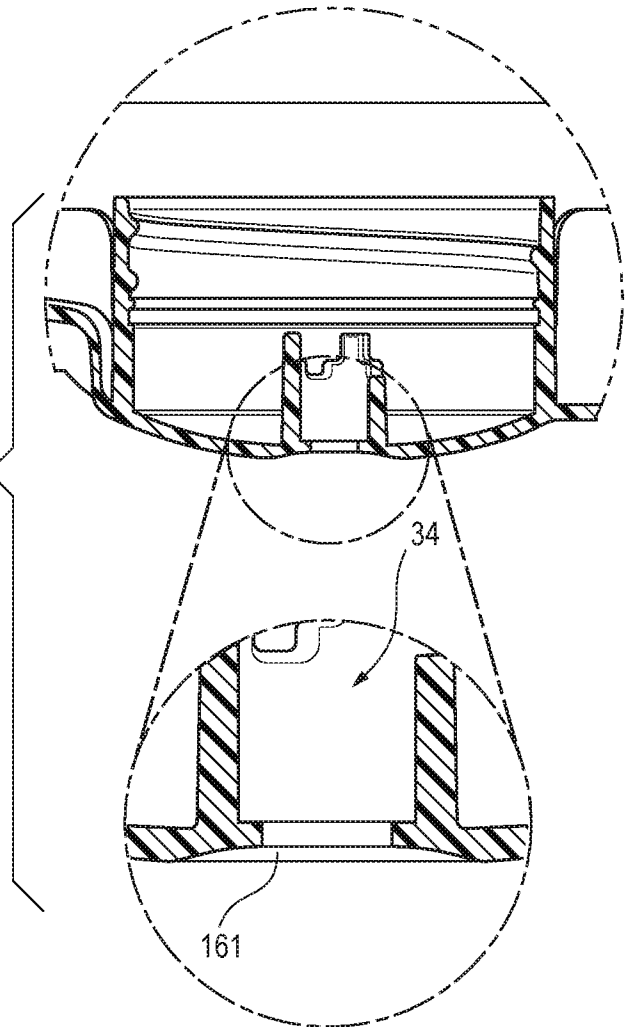


FIG. 18

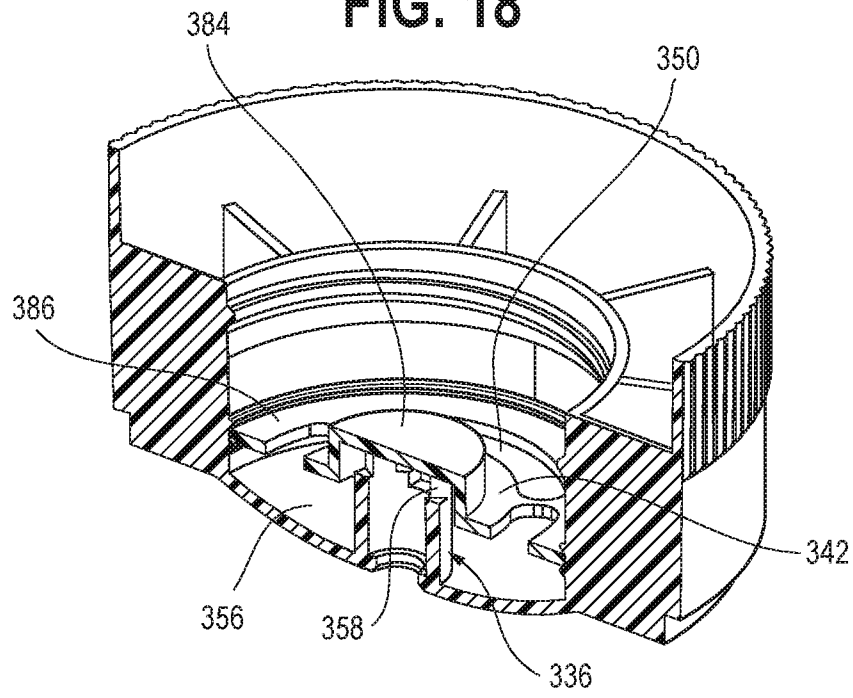


FIG. 19

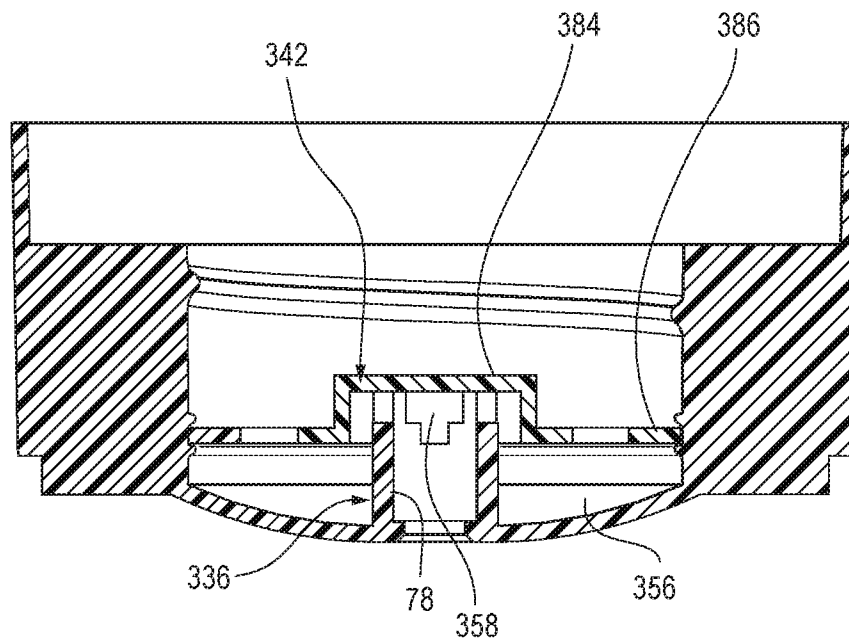


FIG. 20

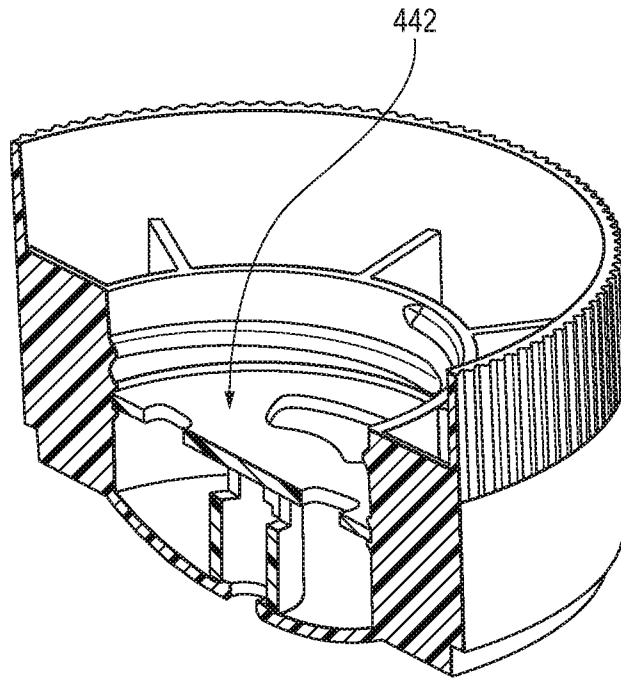


FIG. 21

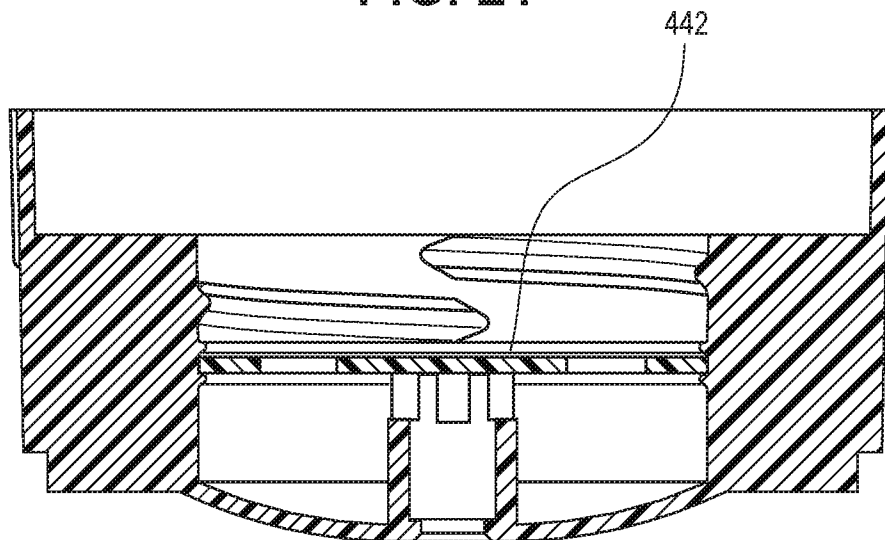


FIG. 22

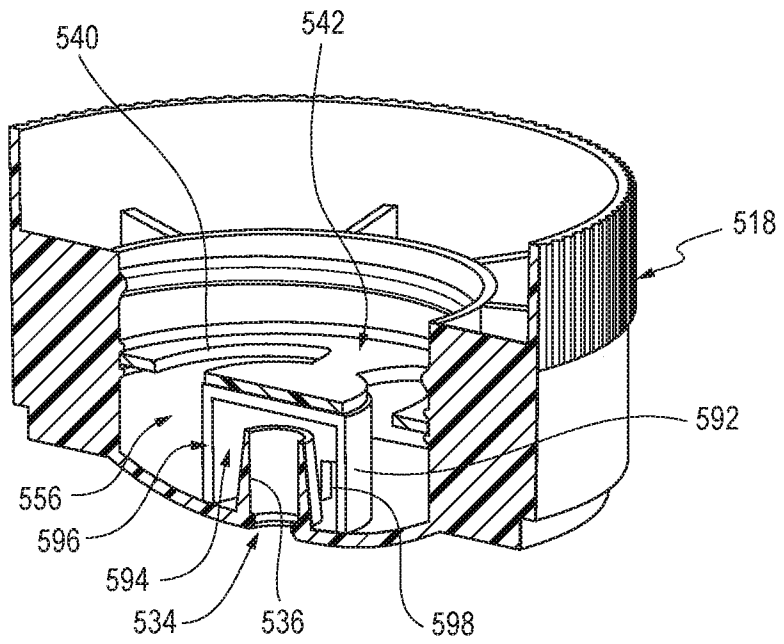


FIG. 23

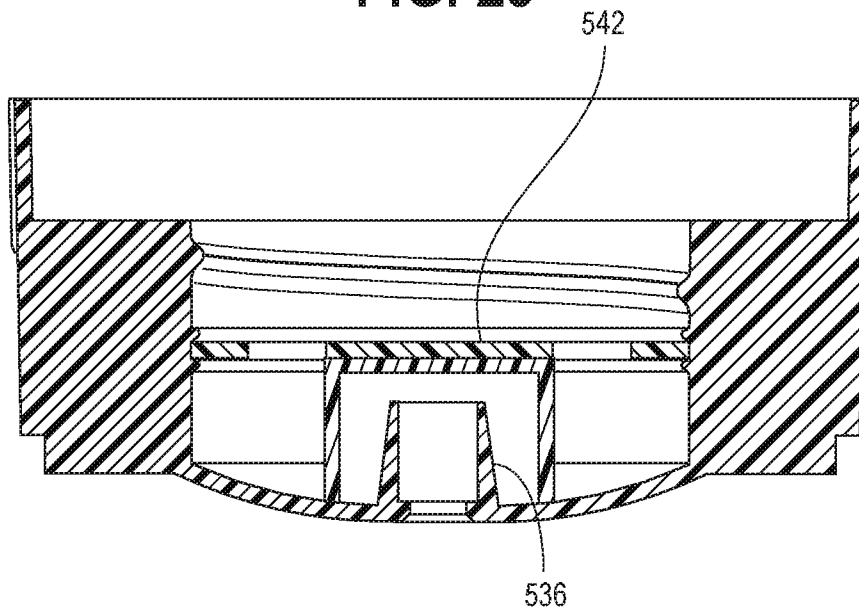


FIG. 24

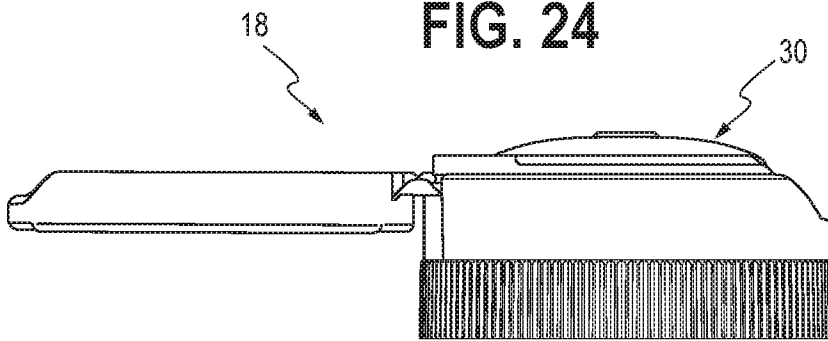


FIG. 25

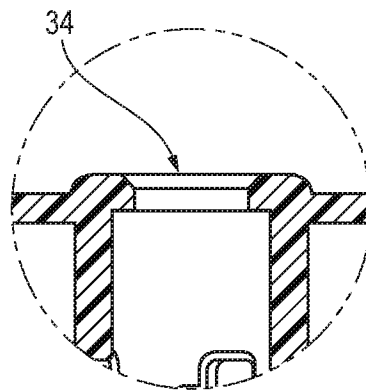


FIG. 26

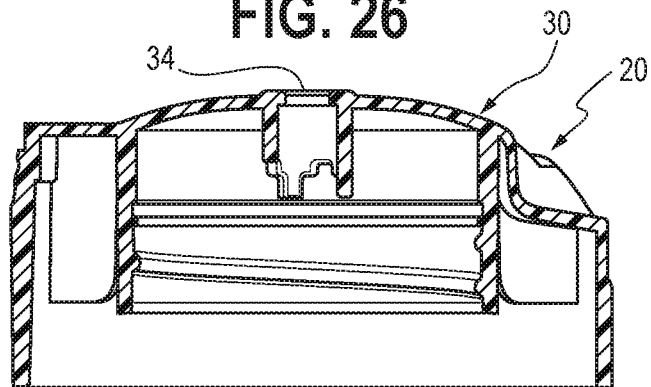


FIG. 27

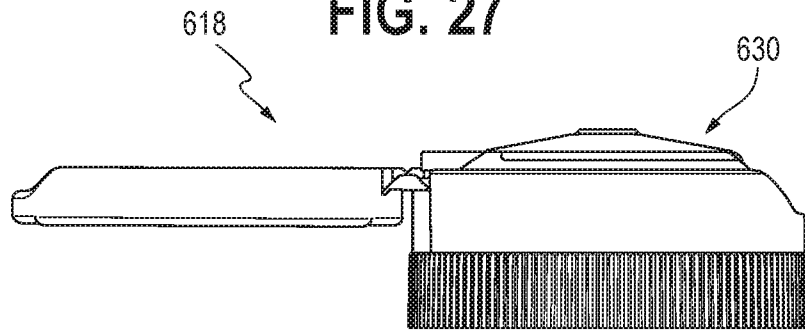


FIG. 28

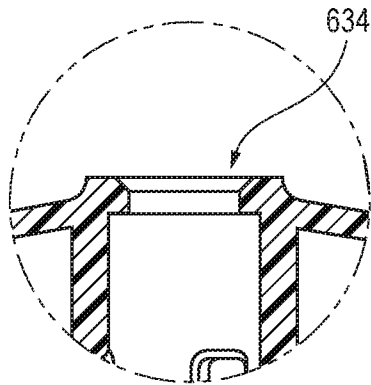
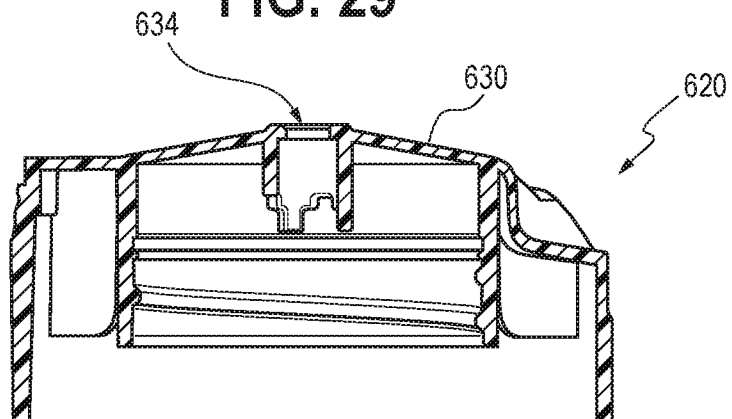


FIG. 29



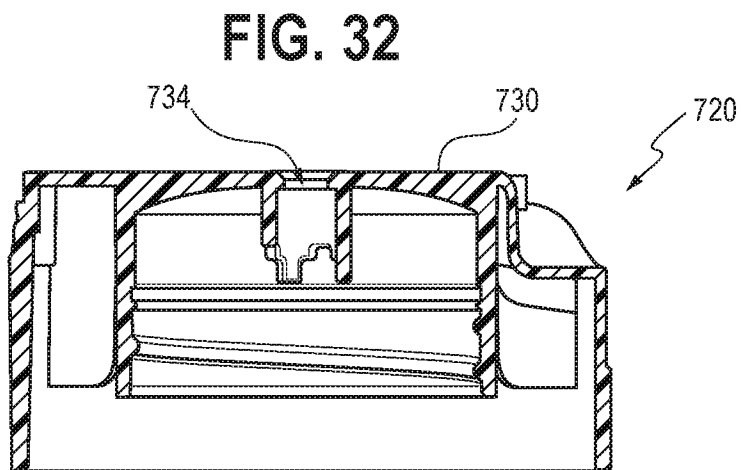
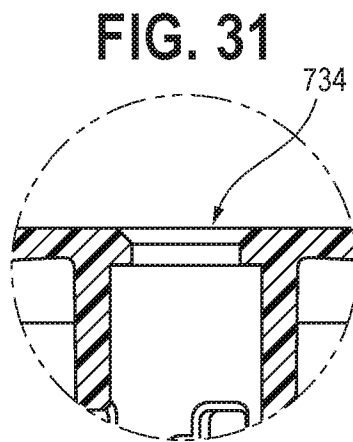
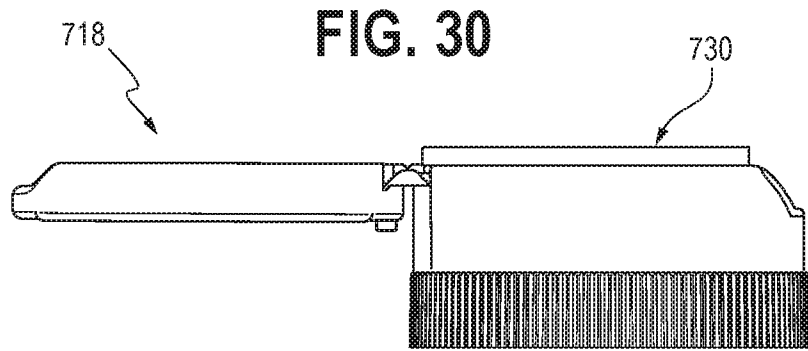


FIG. 33

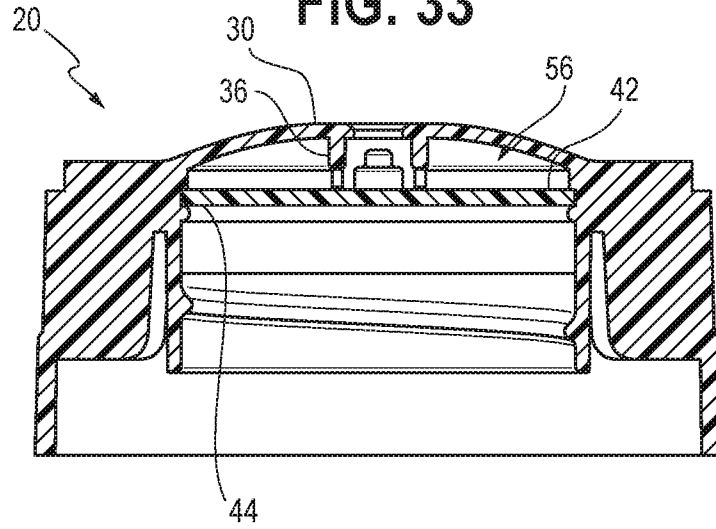


FIG. 34

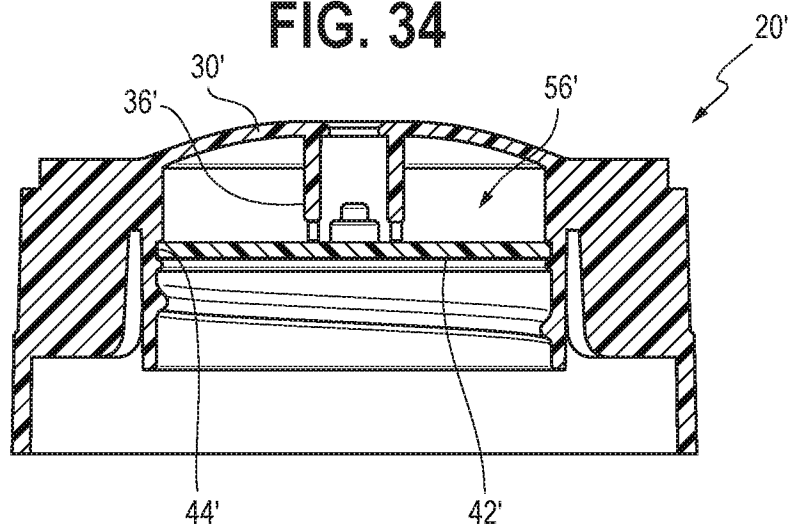


FIG. 35

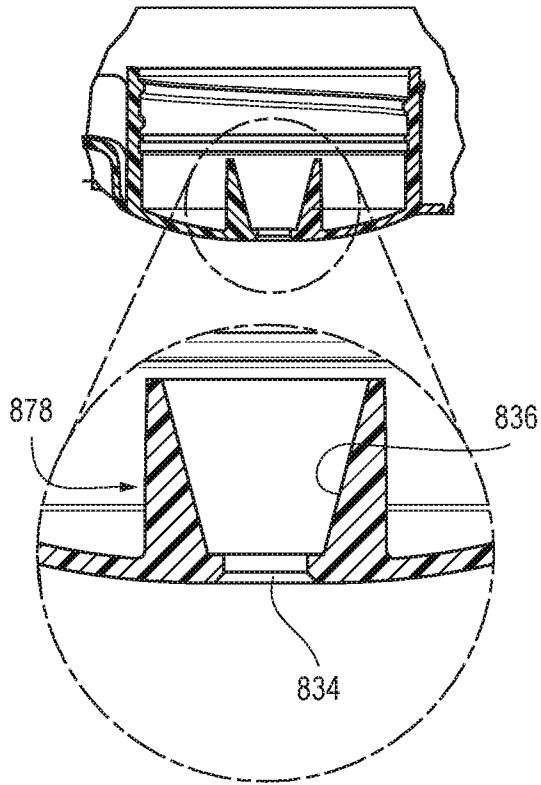


FIG. 36

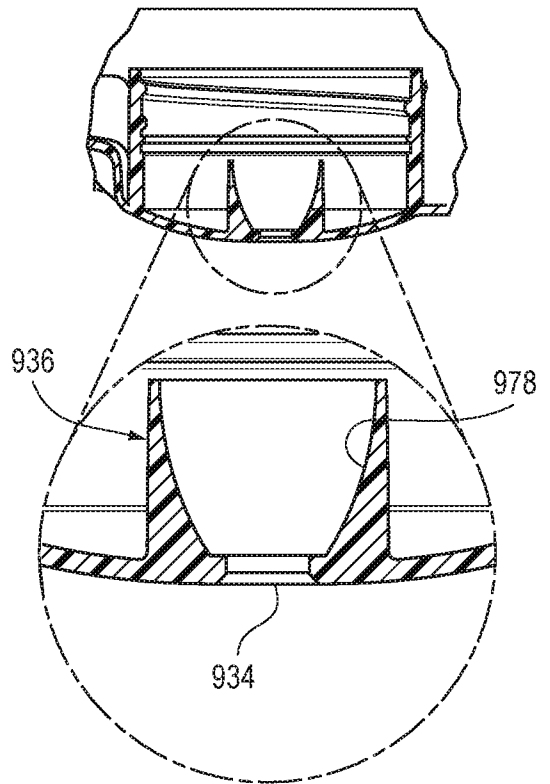
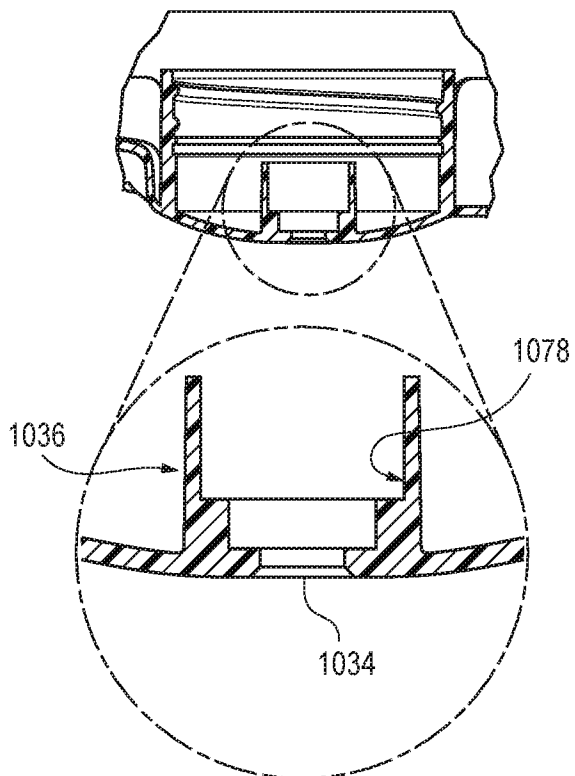


FIG. 37



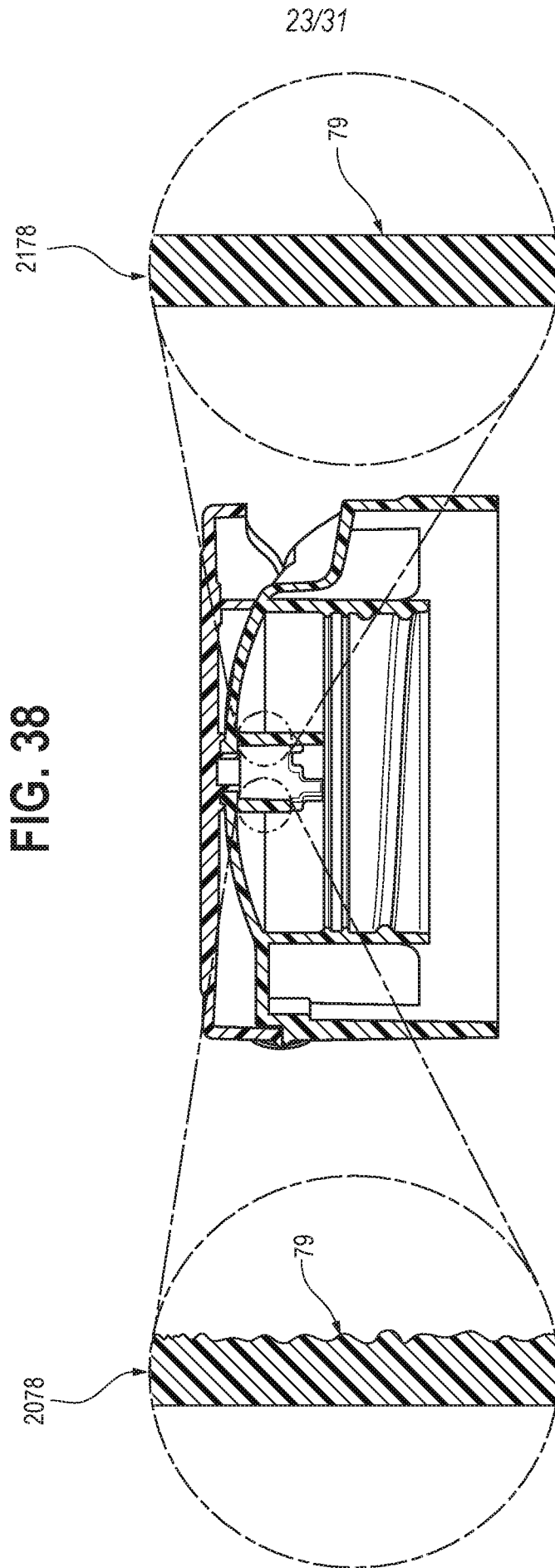


FIG. 39 2238

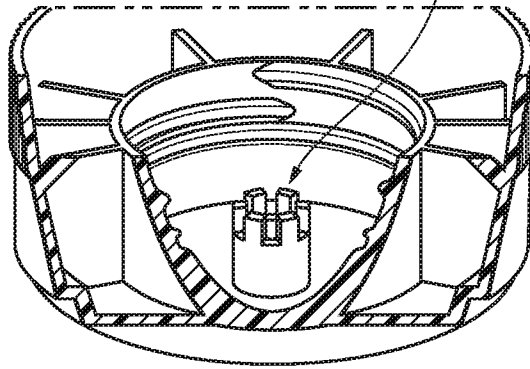


FIG. 40 2338

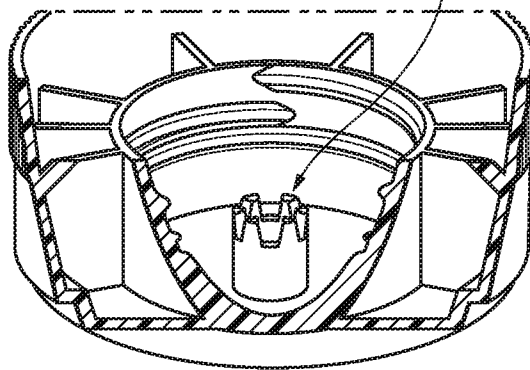


FIG. 41 2438

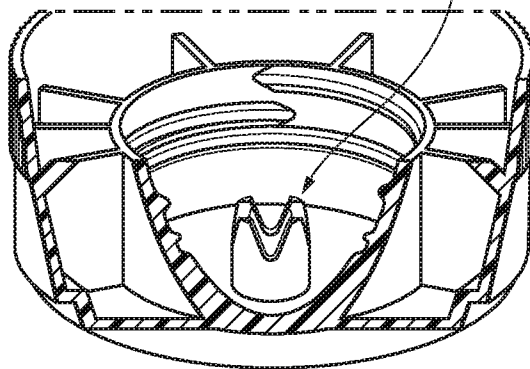


FIG. 42

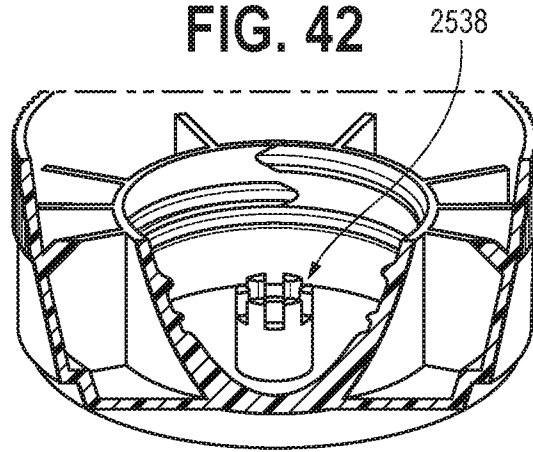


FIG. 43

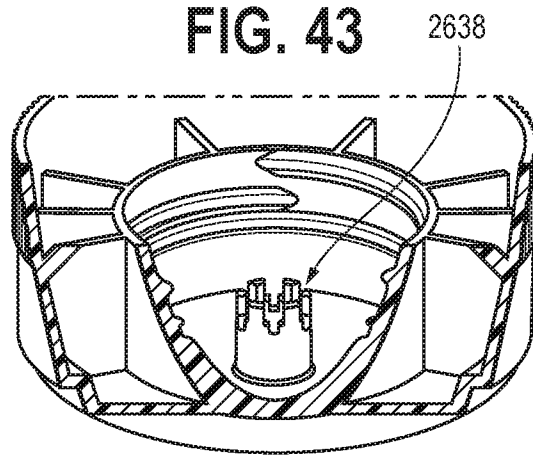


FIG. 44

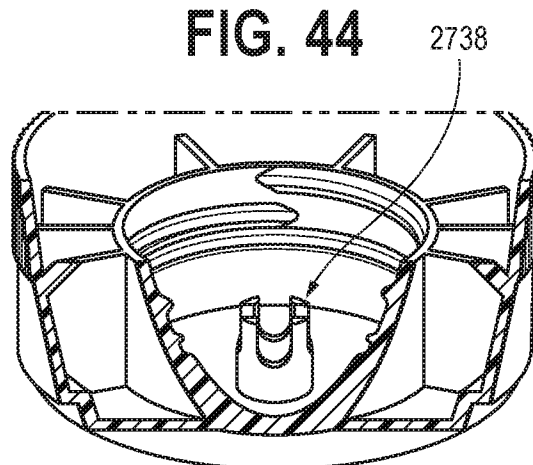


FIG. 45A

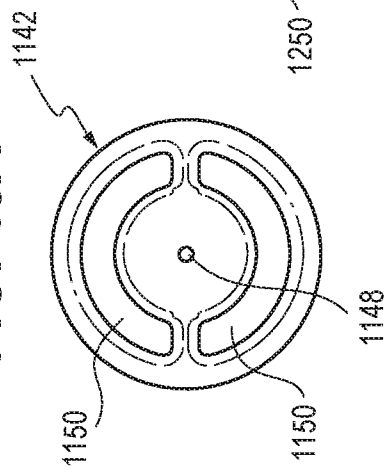


FIG. 45B

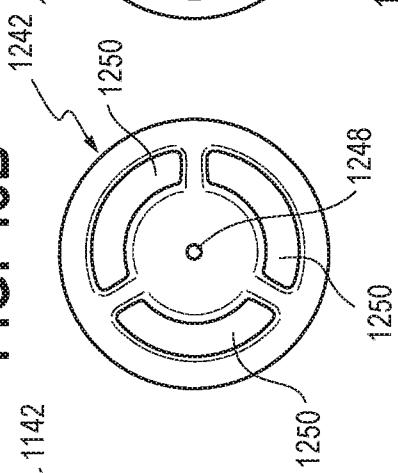


FIG. 45C

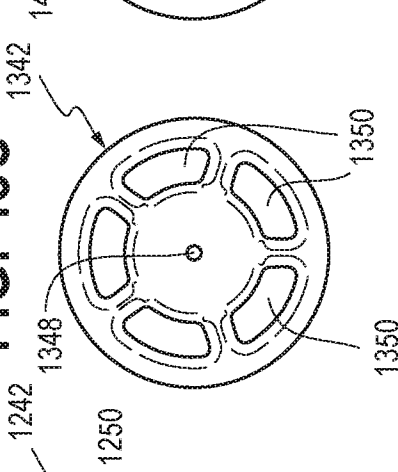


FIG. 45D

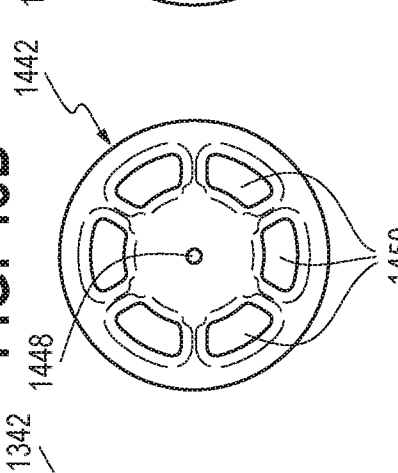


FIG. 45E

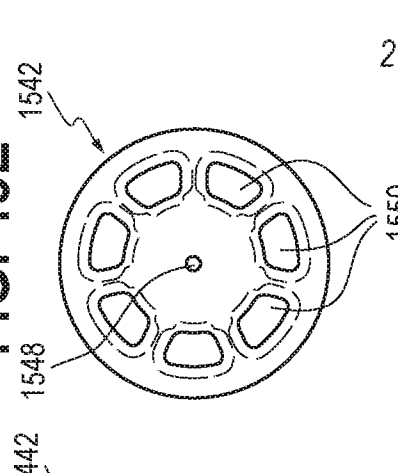


FIG. 45F

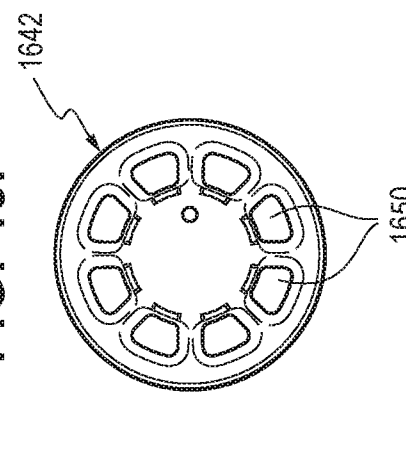


FIG. 45G

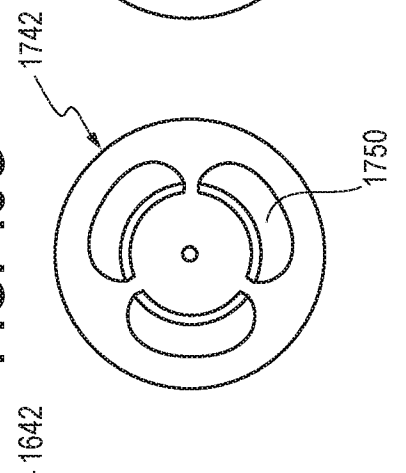


FIG. 45H

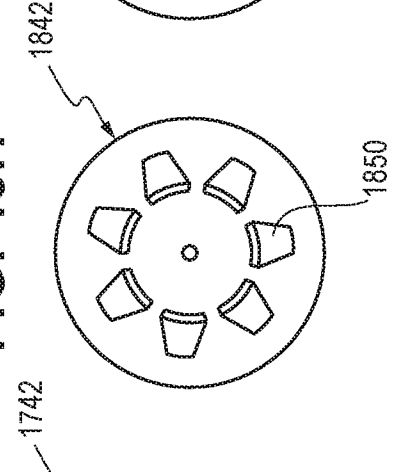


FIG. 45I

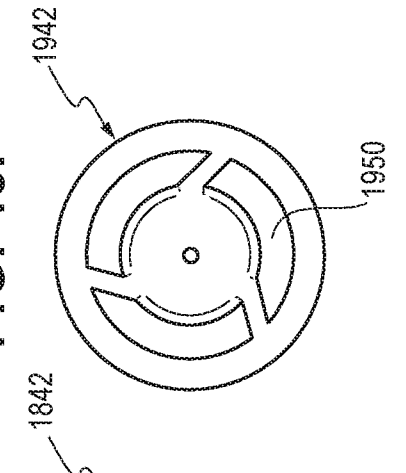


FIG. 46A

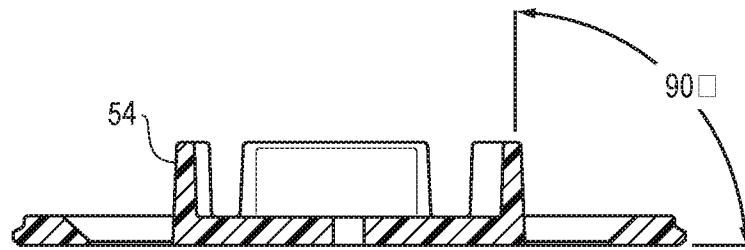


FIG. 46B

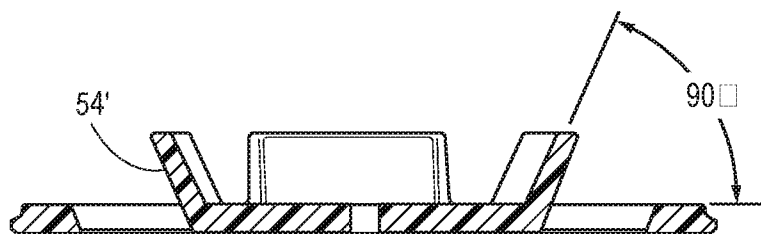


FIG. 47A

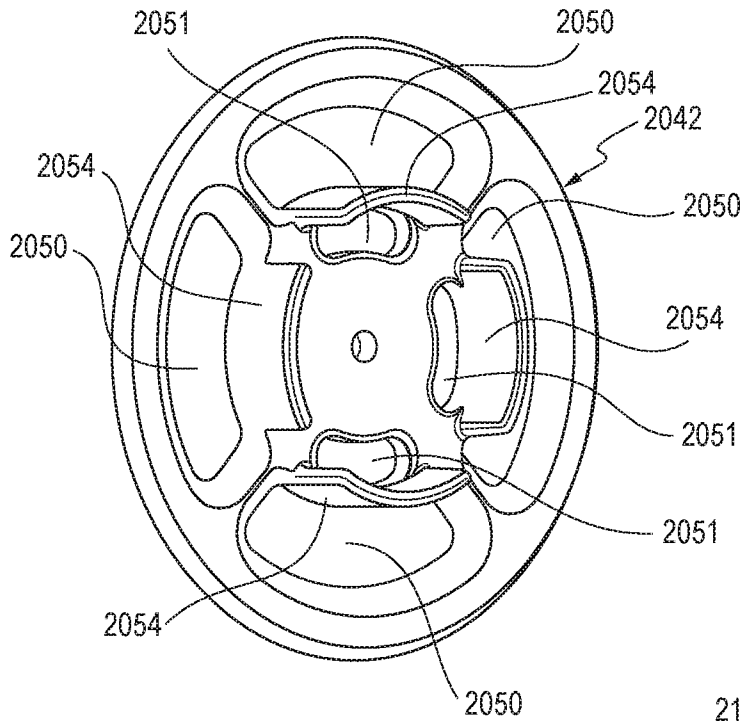


FIG. 47B

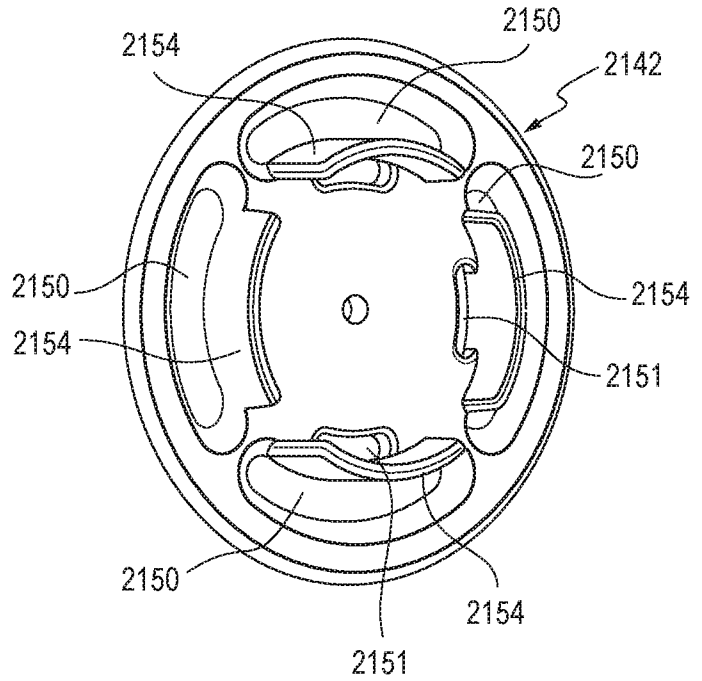


FIG. 47C

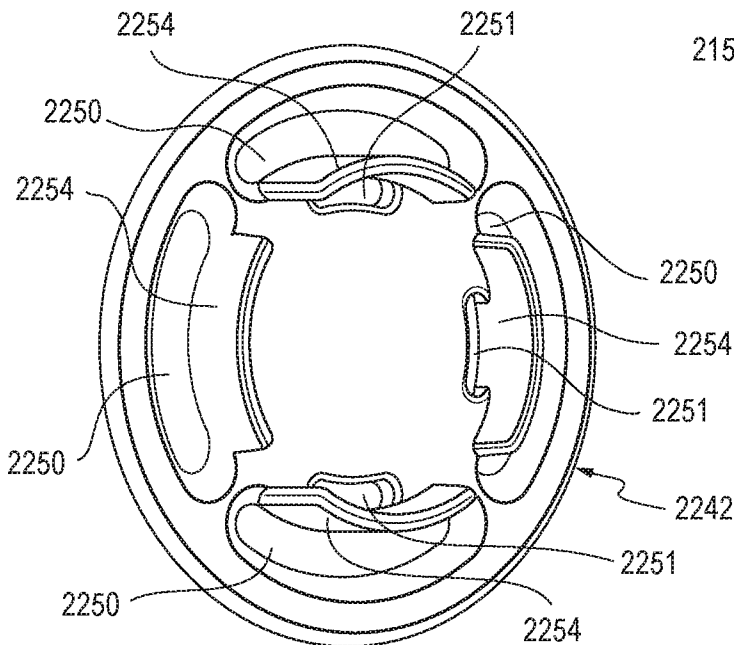


FIG. 47D

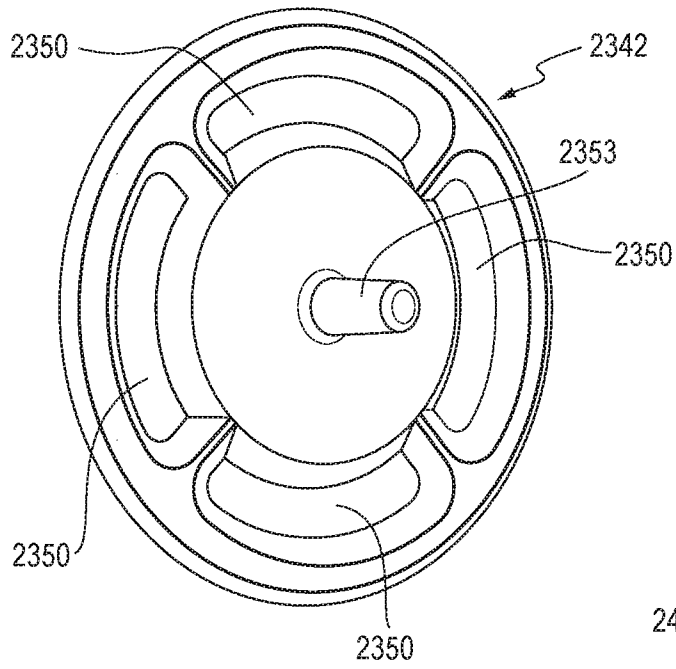


FIG. 47E

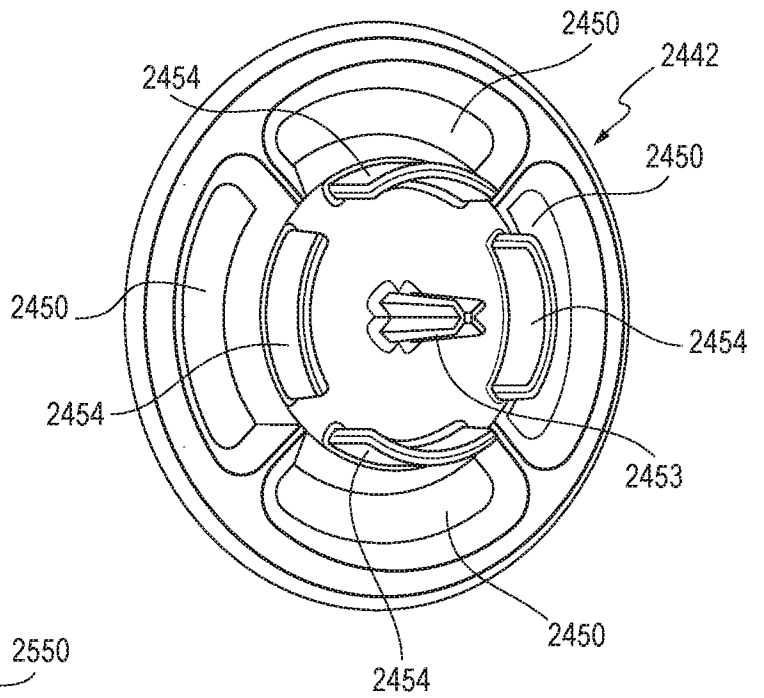


FIG. 47F

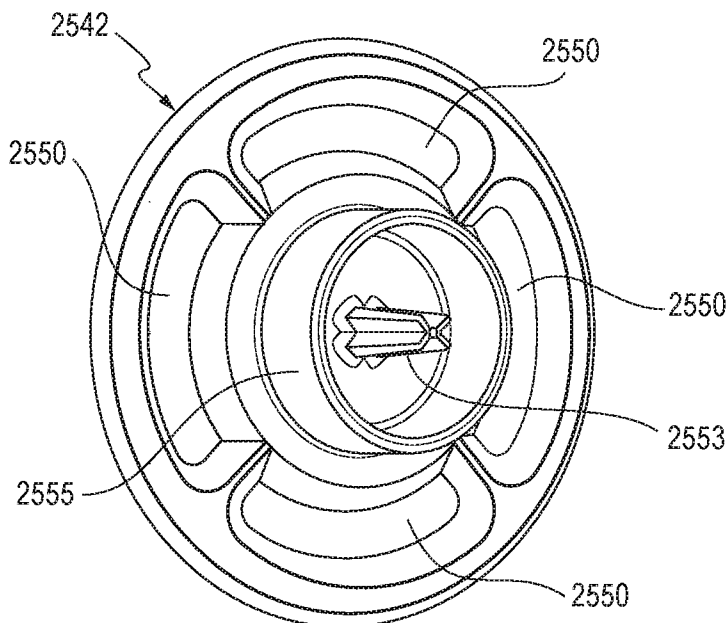


FIG. 47G

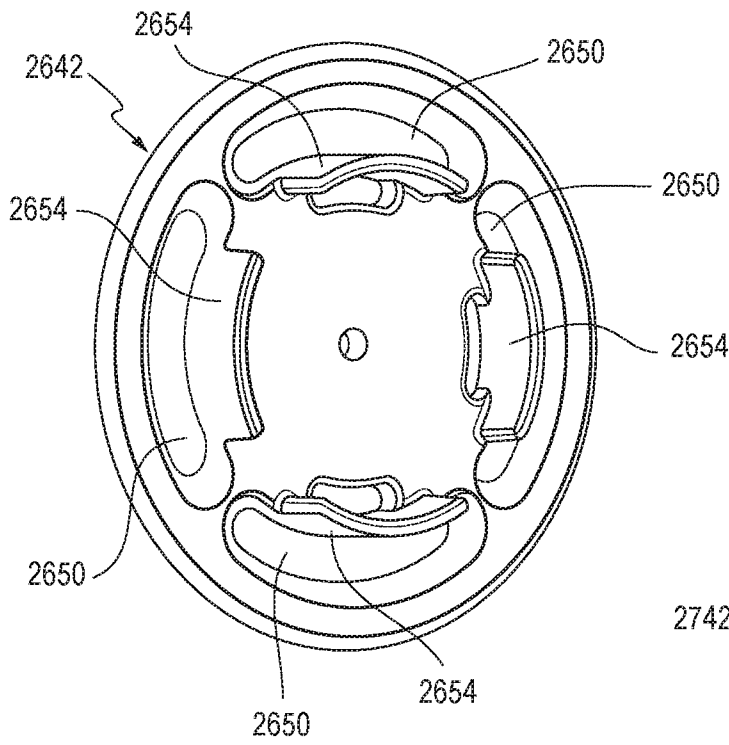


FIG. 47H

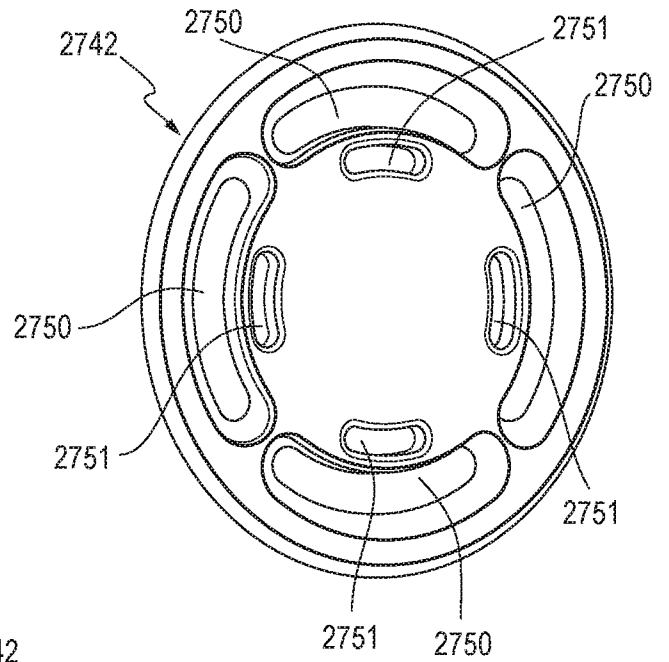


FIG. 47I

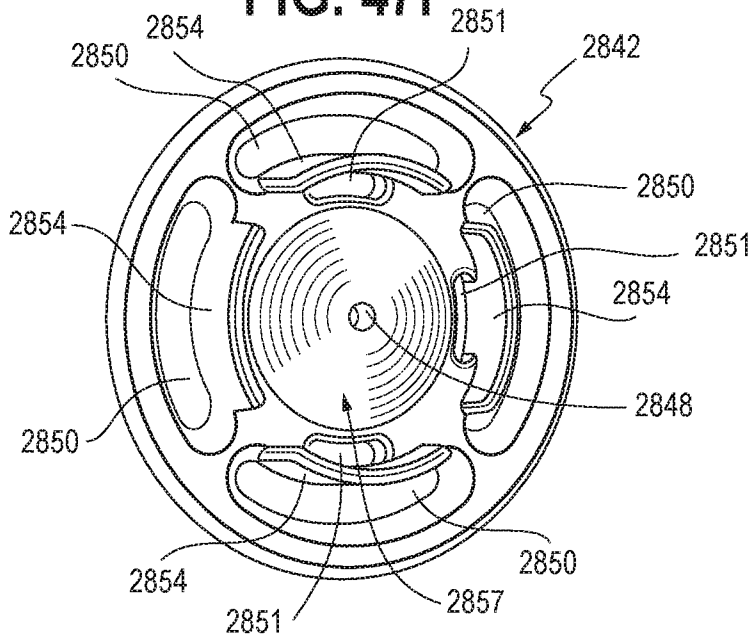
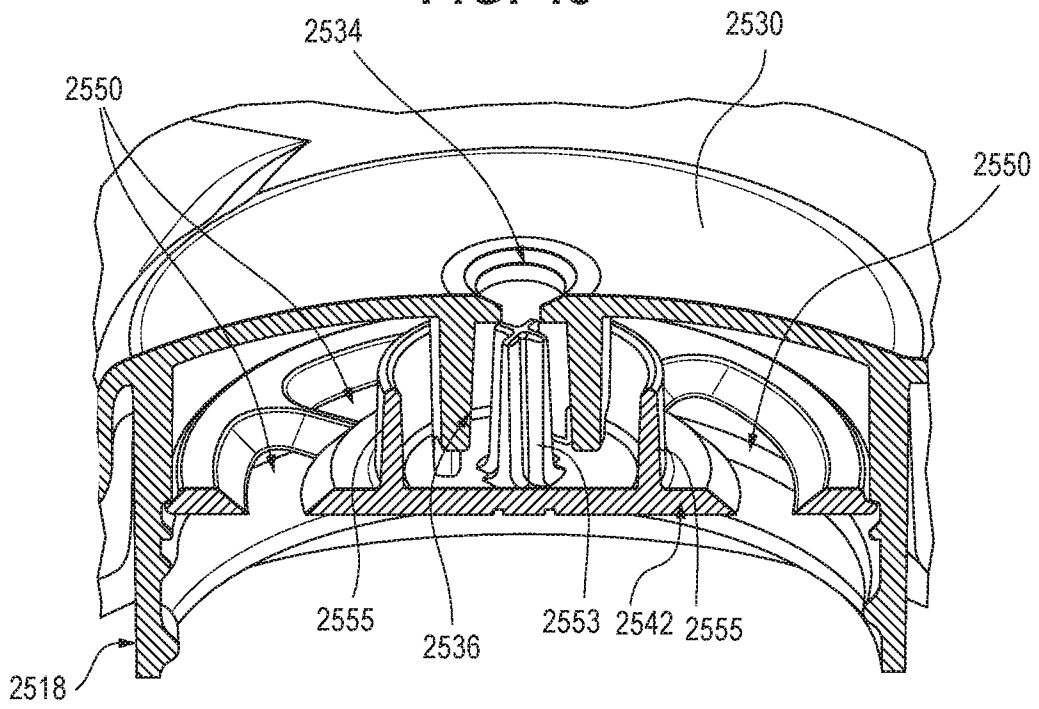


FIG. 48



INTERNATIONAL SEARCH REPORT

International application No
PCT/US2019/067485

A. CLASSIFICATION OF SUBJECT MATTER
INV. B65D47/08
ADD.
According to International Patent Classification (IPC) or to both national classification and IPC

B. FIELDS SEARCHED
Minimum documentation searched (classification system followed by classification symbols)
B65D

Documentation searched other than minimum documentation to the extent that such documents are included in the fields searched

Electronic data base consulted during the international search (name of data base and, where practicable, search terms used)
EPO-Internal, WPI Data

C. DOCUMENTS CONSIDERED TO BE RELEVANT

Category*	Citation of document, with indication, where appropriate, of the relevant passages	Relevant to claim No.
X	JP 2016 050003 A (YOSHINO KOGYOSHO CO LTD) 11 April 2016 (2016-04-11)	33,34
A	figure 3	1-32
X	WO 2007/024404 A1 (CONTINENTALAFA DISPENSING CO [US]; FOSTER DONALD D [US] ET AL.) 1 March 2007 (2007-03-01)	33
A	figures 1, 2	1-32,34
A	JP 2009 161194 A (YOSHINO KOGYOSHO CO LTD) 23 July 2009 (2009-07-23)	1-34
A	figures 3, 4 paragraphs [0003], [0015], [0026]	
A	US 6 315 160 B1 (GAISER RICK [US] ET AL) 13 November 2001 (2001-11-13)	1-34
	figures 1-3, 4A, 4B	
	----- -/--	

Further documents are listed in the continuation of Box C.

See patent family annex.

* Special categories of cited documents :

"A" document defining the general state of the art which is not considered to be of particular relevance

"E" earlier application or patent but published on or after the international filing date

"L" document which may throw doubts on priority claim(s) or which is cited to establish the publication date of another citation or other special reason (as specified)

"O" document referring to an oral disclosure, use, exhibition or other means

"P" document published prior to the international filing date but later than the priority date claimed

"T" later document published after the international filing date or priority date and not in conflict with the application but cited to understand the principle or theory underlying the invention

"X" document of particular relevance; the claimed invention cannot be considered novel or cannot be considered to involve an inventive step when the document is taken alone

"Y" document of particular relevance; the claimed invention cannot be considered to involve an inventive step when the document is combined with one or more other such documents, such combination being obvious to a person skilled in the art

"&" document member of the same patent family

Date of the actual completion of the international search	Date of mailing of the international search report
24 April 2020	07/05/2020

Name and mailing address of the ISA/ European Patent Office, P.B. 5818 Patentlaan 2 NL - 2280 HV Rijswijk Tel. (+31-70) 340-2040, Fax: (+31-70) 340-3016	Authorized officer Rossatto, Cédric
--	--

INTERNATIONAL SEARCH REPORT

International application No
PCT/US2019/067485

C(Continuation). DOCUMENTS CONSIDERED TO BE RELEVANT		
Category*	Citation of document, with indication, where appropriate, of the relevant passages	Relevant to claim No.
A	US 2013/043277 A1 (LEPAGE FRANCIS [FR]) 21 February 2013 (2013-02-21) figures 10-12 -----	1-34

INTERNATIONAL SEARCH REPORT

Information on patent family members

International application No PCT/US2019/067485

Patent document cited in search report	Publication date	Patent family member(s)	Publication date
JP 2016050003 A	11-04-2016	JP 6352116 B2 JP 2016050003 A	04-07-2018 11-04-2016

WO 2007024404 A1	01-03-2007	US 2007045356 A1 WO 2007024404 A1	01-03-2007 01-03-2007

JP 2009161194 A	23-07-2009	JP 5122271 B2 JP 2009161194 A	16-01-2013 23-07-2009

US 6315160 B1	13-11-2001	AR 029791 A1 AU 3096101 A US 6315160 B1 US 2002066745 A1 WO 0153782 A1	16-07-2003 31-07-2001 13-11-2001 06-06-2002 26-07-2001

US 2013043277 A1	21-02-2013	US 2013043277 A1 WO 2011064522 A1	21-02-2013 03-06-2011
