



(12) **United States Design Patent**  
**Bacher et al.**

(10) **Patent No.:** **US D1,007,971 S**  
(45) **Date of Patent:** **\*\* Dec. 19, 2023**

(54) **EATING UTENSIL**

(71) Applicant: **MASONTOPS IP HOLDINGS INC.,**  
Toronto (CA)

(72) Inventors: **Michael Bacher,** Toronto (CA); **Philip Baron,** Toronto (CA); **Brett Molnar,** Toronto (CA)

(73) Assignee: **MASONTOPS IP HOLDINGS INC.,**  
Toronto (CA)

(\*\*) Term: **15 Years**

(21) Appl. No.: **29/891,193**

(22) Filed: **May 2, 2023**

**Related U.S. Application Data**

(63) Continuation of application No. 29/799,852, filed on Jul. 16, 2021, now Pat. No. Des. 988,815.

(51) **LOC (14) Cl.** ..... **07-03**

(52) **U.S. Cl.**  
USPC ..... **D7/655**

(58) **Field of Classification Search**  
USPC ..... D4/116, 138; D7/368, 401.2, 642-645, D7/653-664, 669, 675-677, 683, D7/688-689, 691; D8/34, 38, 107, D8/300-301; D21/576, 606-609, D21/625-627, 808; D22/117-118; D28/60

CPC ... A01D 9/02; A01D 9/04; A01D 9/06; A47G 21/00; A47G 21/004; A47G 21/005; A47G 21/02; A47G 21/023; A47G 21/04; A47G 21/06; A47G 21/08; A47J 43/28; A47J 43/281; A47J 43/282; A61F 13/10; A61J 7/0023; B25G 1/00; B25G 1/01; B25G 1/02; B25G 3/00; B65D 75/56; B65D

(Continued)

(56) **References Cited**

**U.S. PATENT DOCUMENTS**

D166,914 S 6/1952 Hepner  
D172,480 S 6/1954 Silletti  
(Continued)

**FOREIGN PATENT DOCUMENTS**

CN 303355292 \* 9/2015  
CN 304331221 \* 10/2017  
(Continued)

**OTHER PUBLICATIONS**

PandaEar Utensil, Jun. 20, 2019, <https://www.amazon.com/PandaEar-Silicone-Stainless-Silverware-Anti-Choke/dp/B09LY1MBL8> (Year: 2019).\*

(Continued)

*Primary Examiner* — Brett Miller

*Assistant Examiner* — Nader Abadir

(74) *Attorney, Agent, or Firm* — McAndrews, Held & Malloy, Ltd.

(57) **CLAIM**

The ornamental design for an eating utensil, as shown and described.

**DESCRIPTION**

FIG. 1 is top and front perspective view of an eating utensil showing our new design;

FIG. 2 is a front elevation view thereof;

FIG. 3 is a rear elevation view thereof;

FIG. 4 is a left side elevation view thereof;

FIG. 5 is a right side elevation view thereof;

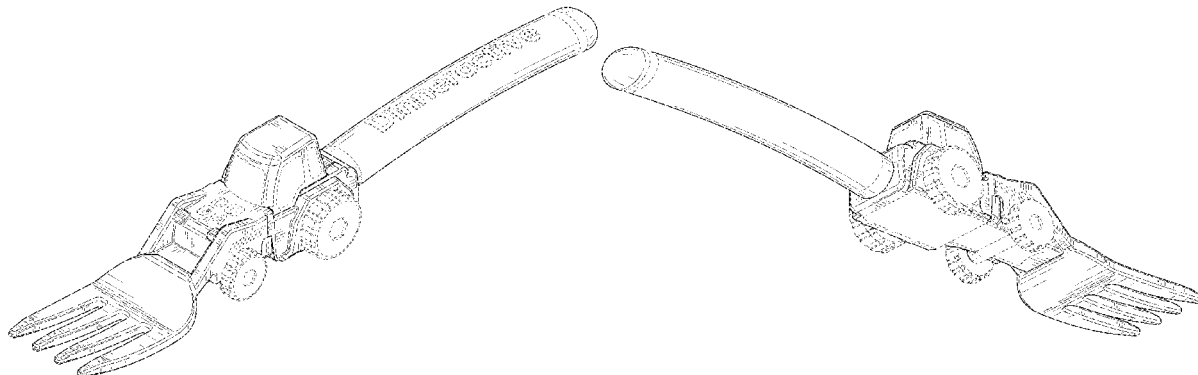
FIG. 6 is a top plan view;

FIG. 7 is a bottom plan view; and,

FIG. 8 is a bottom and rear perspective view thereof.

The dashed broken lines in the figures illustrate portions of the eating utensil that form no part of the claimed design.

**1 Claim, 7 Drawing Sheets**



(58) **Field of Classification Search**  
 CPC ..... 75/563; B65D 75/566; B67B 7/00; B67B  
 7/24; B67B 7/73  
 See application file for complete search history.

D917,239 S 4/2021 Sutton  
 D919,380 S 5/2021 Salem  
 D931,690 S 9/2021 Das  
 D934,627 S 11/2021 Carson  
 D955,189 S 6/2022 Li  
 D959,928 S 8/2022 Hong  
 D966,047 S 10/2022 Lee  
 2009/0077812 A1\* 3/2009 Malcolm ..... A47G 21/02  
 30/142

(56) **References Cited**

U.S. PATENT DOCUMENTS

2,732,187 A 1/1956 Benedetto  
 D193,018 S 6/1962 Larsen  
 D231,721 S \* 6/1974 Pearson ..... D7/655  
 D234,287 S \* 2/1975 Pearson ..... D7/655  
 3,968,591 A \* 7/1976 Pearson, Jr. .... A47G 21/04  
 D7/300.2  
 D257,757 S \* 1/1981 Acker ..... D7/655  
 D302,090 S \* 7/1989 Bergman ..... D7/655  
 D302,091 S \* 7/1989 Bergman ..... D7/655  
 D302,510 S \* 8/1989 Bergman ..... D7/655  
 D310,944 S \* 10/1990 Lutzker ..... D21/451  
 D341,754 S 11/1993 Marsten  
 D364,028 S \* 11/1995 Rouleau ..... D7/688  
 5,655,303 A \* 8/1997 Janczak ..... A47G 21/02  
 30/326  
 D404,260 S \* 1/1999 Lake ..... D7/655  
 D404,261 S \* 1/1999 Lake ..... D7/655  
 D407,274 S \* 3/1999 Lake ..... D7/655  
 D432,358 S \* 10/2000 Natale ..... D7/505  
 D437,740 S \* 2/2001 Manion ..... D21/447  
 D533,038 S 12/2006 Hsu et al.  
 D554,439 S \* 11/2007 Malcolm ..... D7/653  
 D554,440 S \* 11/2007 Malcolm ..... D7/653  
 D554,441 S \* 11/2007 Malcolm ..... D7/653  
 D576,451 S \* 9/2008 Bagley, Jr. .... D7/655  
 D576,541 S 9/2008 Bagley, Jr.  
 D615,367 S 5/2010 Sierra  
 D629,262 S 12/2010 Stern  
 D642,874 S 8/2011 McFarland  
 D652,269 S \* 1/2012 Skolnik ..... D7/642  
 D665,630 S 8/2012 Vasavada  
 8,291,600 B1 10/2012 Huchthausen  
 D675,871 S 2/2013 Gallop  
 D675,885 S 2/2013 Williams  
 D677,997 S 3/2013 Costa  
 D677,999 S \* 3/2013 Skolnik ..... D7/655  
 D681,401 S 5/2013 Donovan  
 D706,086 S \* 6/2014 Bagley, Jr. .... D7/642  
 D716,107 S \* 10/2014 Skolnik ..... D7/642  
 D722,839 S 2/2015 Donovan  
 D723,342 S 3/2015 Donovan  
 D727,690 S 4/2015 Wang  
 D739,185 S 9/2015 Donovan  
 D740,079 S 10/2015 Miksovsky  
 D746,113 S 12/2015 Jung  
 D747,934 S 1/2016 Shim  
 D756,171 S 5/2016 Mou  
 D762,089 S 7/2016 Waters  
 D771,445 S 11/2016 Shim  
 D775,498 S 1/2017 Gallop  
 D777,532 S 1/2017 Wang  
 D778,122 S 2/2017 Mou  
 D778,689 S 2/2017 Grewal  
 D796,271 S 9/2017 McFarland  
 D808,232 S 1/2018 Liu  
 D821,161 S 6/2018 Isopahkala  
 D823,073 S 7/2018 Crowley  
 D834,380 S 11/2018 Liu  
 D834,382 S 11/2018 Applebaum  
 D840,769 S \* 2/2019 Malcolm ..... A47G 21/02  
 D7/654  
 D852,007 S 6/2019 Oakes  
 10,413,103 B1 \* 9/2019 Balanchi ..... A63H 33/003  
 D871,168 S \* 12/2019 Malcolm ..... D7/654  
 D871,169 S \* 12/2019 Malcolm ..... D7/654  
 D882,353 S 4/2020 Salem  
 D882,354 S 4/2020 Salem

FOREIGN PATENT DOCUMENTS

CN 305232240 6/2019  
 CN 305888749 6/2020  
 CN 306692310 7/2021  
 CN 307187674 3/2022  
 EM 008870505-0002 3/2022  
 GB 6146370 7/2021  
 GB 6148681 7/2021  
 IN 306087-0001 8/2018  
 KR 300755654.0000 \* 8/2014  
 KR 300857567.0000 \* 6/2016  
 KR 301022102.0000 \* 9/2019  
 RU 00036759 7/1993

OTHER PUBLICATIONS

ECR4Kids Utensil, May 9, 2019, <https://www.amazon.com/ECR4Kids-ELR-18104-BPA-Free-Dishwasher-Childrens-Self-Feeding/dp/B07P7M4RBK> (Year: 2019).\*

Avanchy Utensil, Feb. 22, 2020, <https://www.amazon.com/Avanchy-Stainless-Silicone-Training-Magenta/dp/B084WSJKR2/> (Year: 2020).\*

Elk and Friends Utensil, Jun. 15, 2021, <https://www.amazon.com/Elk-Friends-Stainless-Silicone-Utensils/dp/B09782CLSH> (Year: 2021).\*

Mushie Utensil, Jun. 2, 2020, <https://www.amazon.com/mushie-Flatware-Fork-Spoon-Denmark/dp/B08GLFB9V6> (Year: 2020).\*

Munchkin Utensil, Jan. 2, 2012, <https://www.amazon.com/Munchkin%C2%AE-MultiTM-Toddler-Forks-Spoons/dp/B006SFUCSG> (Year: 2012).\*

Matchbox Dump Truck, Jul. 1, 2018, [https://www.amazon.com/Matchbox-FGN87-Sand-Truck/dp/B01MYVJ9ZH/ref=sr\\_1\\_36?crd=GN5QGEQVXNU1&keywords=toy+plow+matchbox&qid=1669403300&srefix=toy+plow+matchbox%2Caps%2C57&sr=8-36](https://www.amazon.com/Matchbox-FGN87-Sand-Truck/dp/B01MYVJ9ZH/ref=sr_1_36?crd=GN5QGEQVXNU1&keywords=toy+plow+matchbox&qid=1669403300&srefix=toy+plow+matchbox%2Caps%2C57&sr=8-36) (Year: 2018) (Last accessed May 4, 2023).

Olat Dinner Forks, Jan. 6, 2022, <https://www.amazon.com/12-Piece-Dinner-Stainless-Silver-Inches/dp/B09PTTWWZX> (Year: 2022) (Last accessed May 4, 2023).

Homquen Dinner Forks, Oct. 17, 2020, <https://www.amazon.com/Dinner-Pieces-Homquen-Stainless-Dishwasher/dp/B08LBF2PQ3> (Year: 2020) (Last accessed May 4, 2023).

Top Race Bulldozer, Nov. 28, 2018, <https://www.amazon.co.uk/Top-Race-Functional-Construction-Bulldozer/dp/B07JGFM846/> (Year: 2018) (Last accessed May 4, 2023).

Cat Construction Little Machines Vehicle, Jun. 21, 2019, <https://www.amazon.co.uk/Caterpillar-82150-Machines-Construction-Vehicle/dp/B07T14FKRR> (Year: 2019) (Last accessed May 4, 2023).

Gowi Snow Plow, May 8, 2017, <https://www.amazon.co.uk/Gowi-560-82-Snow-Plow-Playset/dp/B0711HY49L> (Year: 2017) (Last accessed May 4, 2023).

JY&WIN Snow Plow, Dec. 15, 2020, <https://www.amazon.co.uk/JY-WIN-Control-Engineering-Charging/dp/B08QNCTRRB> (Year: 2020) (Last accessed May 4, 2023).

ECR4Kids Fork, May 9, 2019, <https://www.amazon.com/ECR4Kids-ELR-18104-BPA-Free-Dishwasher-Childrens-Self-Feeding/dp/B07P7M4RBK> (Year: 2019) (Last accessed May 4, 2023).

Elk and Friends Kids Silverware with Silicone Handle, Jun. 5, 2021, <https://www.amazon.com/Elk-Friends-Stainless-Silicone-Utensils-dp/B09782CLSH> (Year: 2021).

Pimoy's Fork, May 5, 2021, <https://www.amazon.com/Stainless-Cutlery-Silverware-Children-Dishwasher/dp/B0946NKZNX> (Year: 2021) (Last accessed May 4, 2023).

\* cited by examiner

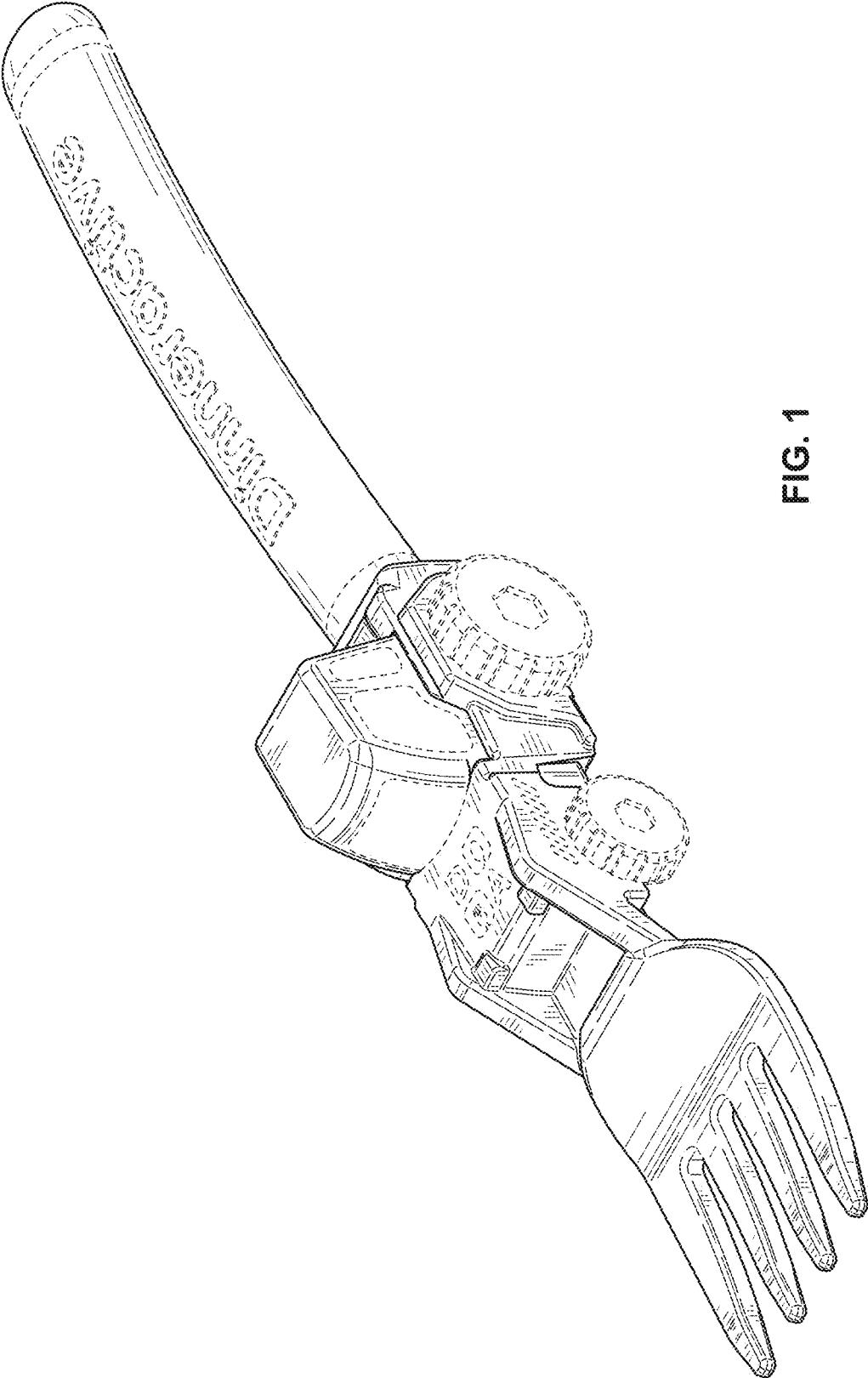


FIG. 1

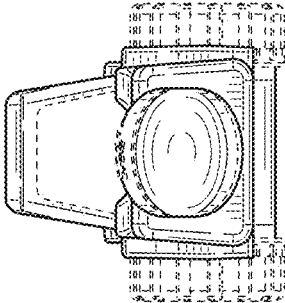


FIG. 3

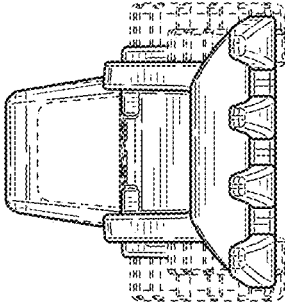


FIG. 2

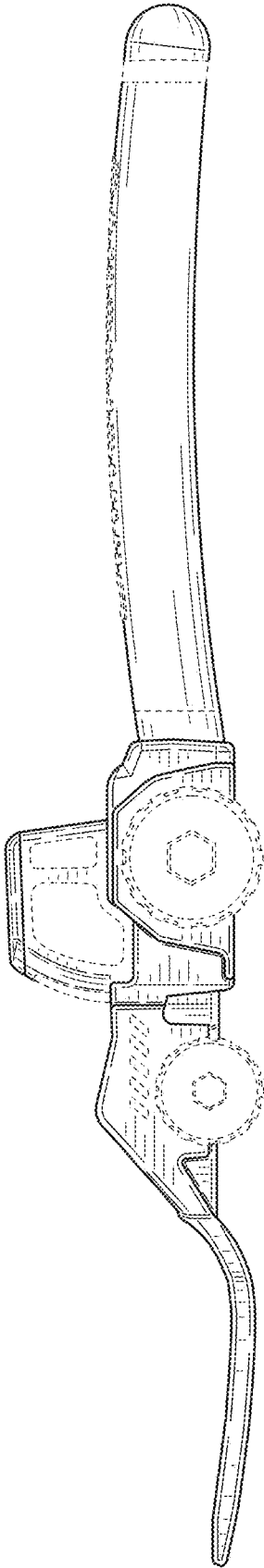


FIG. 4

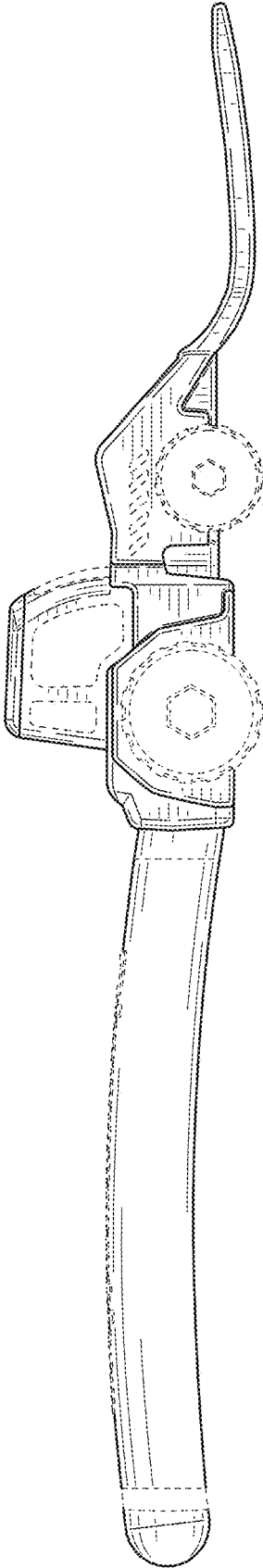


FIG. 5

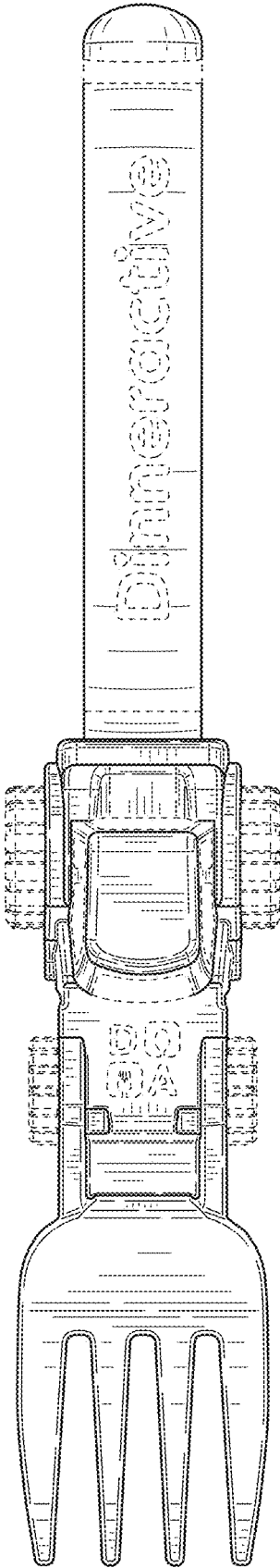


FIG. 6

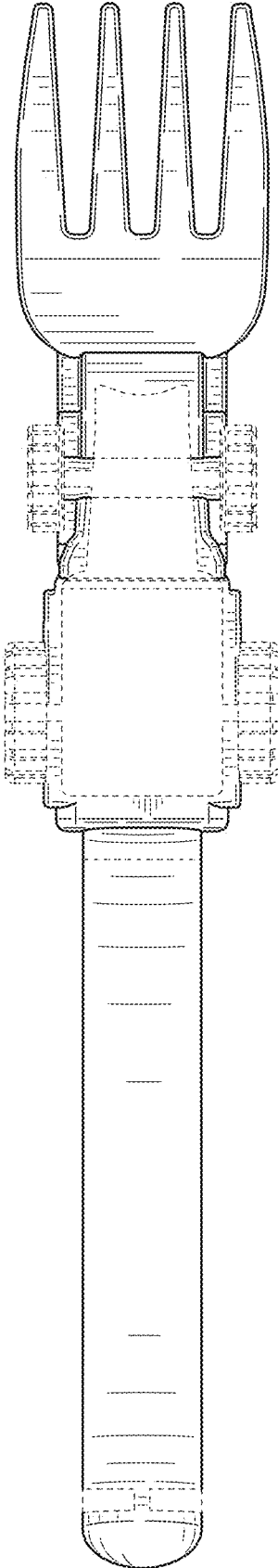


FIG. 7

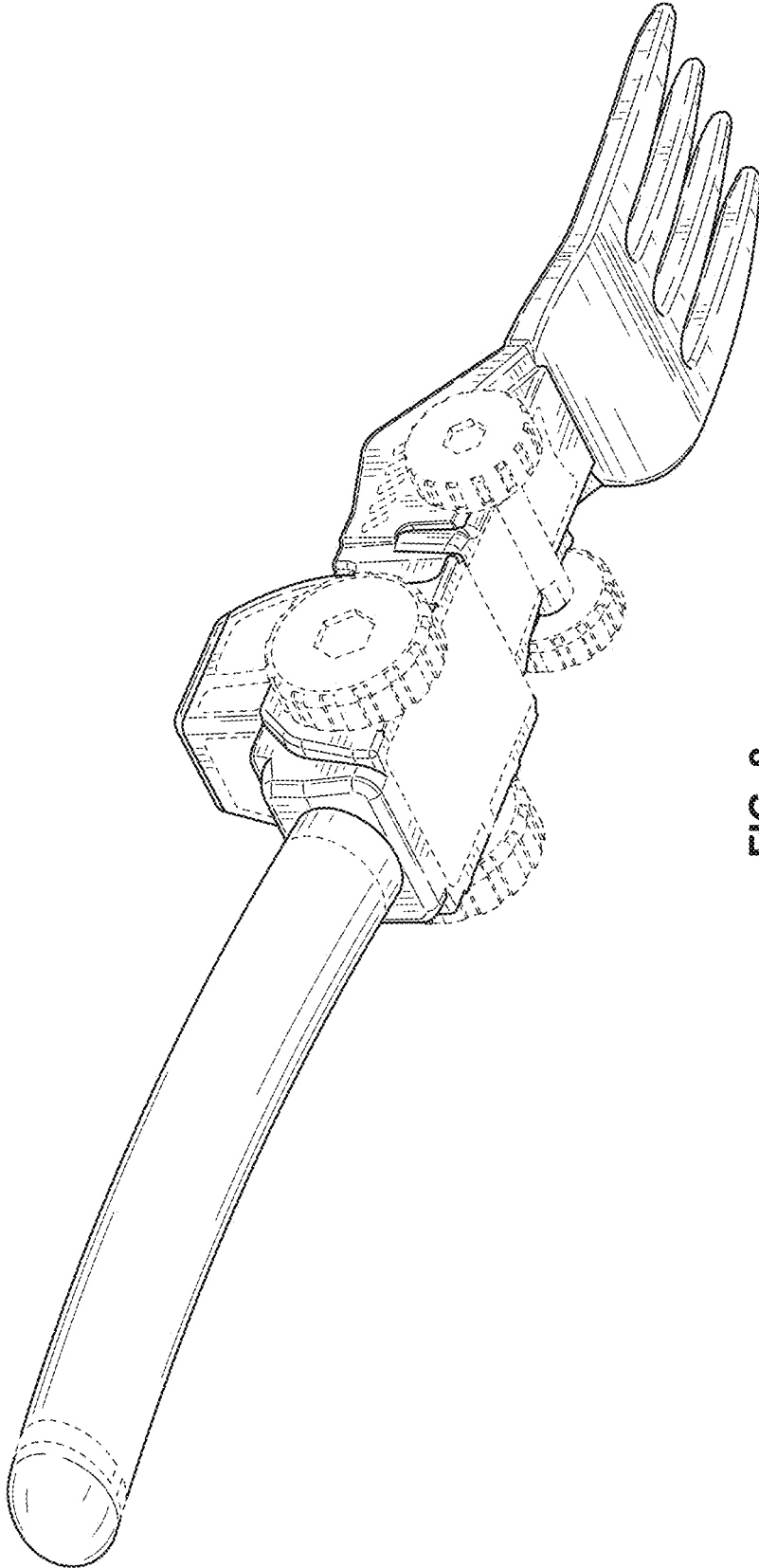


FIG. 8