



US00D769666S

(12) **United States Design Patent**  
**Livne**

(10) **Patent No.:** **US D769,666 S**

(45) **Date of Patent:** **\*\* \*Oct. 25, 2016**

(54) **FOLDING SMOKER**

(71) Applicant: **Y.D.G. consulting ltd.**, Mevaseret Zion (IL)

(72) Inventor: **Guy Livne**, Mevaseret Zion (IL)

(73) Assignee: **Y.D.G. CONSULTING LTD.**, Mevaseret Zion (IL)

(\* ) Notice: This patent is subject to a terminal disclaimer.

(\*\*) Term: **14 Years**

(21) Appl. No.: **29/477,032**

(22) Filed: **Dec. 19, 2013**

(51) **LOC (10) Cl.** ..... **07-02**

(52) **U.S. Cl.**

USPC ..... **D7/332**

(58) **Field of Classification Search**

USPC ..... D7/332, 334-337, 402-405, 362, 367;  
99/481-482, 449, 340; 431/206;  
126/19 M, 19 R, 39 R, 39 H, 39 B, 25 R,  
126/43, 41 R, 9 R, 38, 37 R, 40, 50

See application file for complete search history.

(56) **References Cited**

**U.S. PATENT DOCUMENTS**

652,531 A \* 6/1900 Carlson ..... 99/482  
3,105,483 A \* 10/1963 Bryan ..... 126/9 R

3,146,773 A \* 9/1964 Melzer ..... 126/9 R  
3,841,211 A \* 10/1974 Ellis ..... 99/482  
3,974,760 A \* 8/1976 Ellis ..... 99/482  
4,455,992 A \* 6/1984 Hsiao ..... 126/9 R  
D340,613 S \* 10/1993 Kesling ..... D7/337  
2010/0319552 A1 \* 12/2010 Lu ..... 99/449  
2014/0024240 A1 \* 1/2014 Kobayashi et al. .... 439/296  
2014/0224241 A1 \* 8/2014 McCary ..... 126/25 R

\* cited by examiner

*Primary Examiner* — Ruth McInroy

(74) *Attorney, Agent, or Firm* — Manelli Selter PLLC;  
Edward J. Stemberger

(57) **CLAIM**

I claim the ornamental design for a folding smoker, as shown and described.

**DESCRIPTION**

FIG. 1 is a right side view of a folding smoker showing our new design;

FIG. 2 is a front view thereof;

FIG. 3 is a left view thereof;

FIG. 4 is a top plan view thereof;

FIG. 5 is a back view thereof;

FIG. 6 is a bottom view thereof;

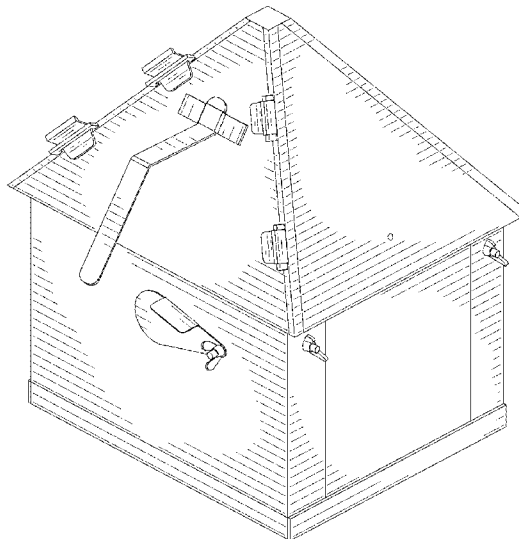
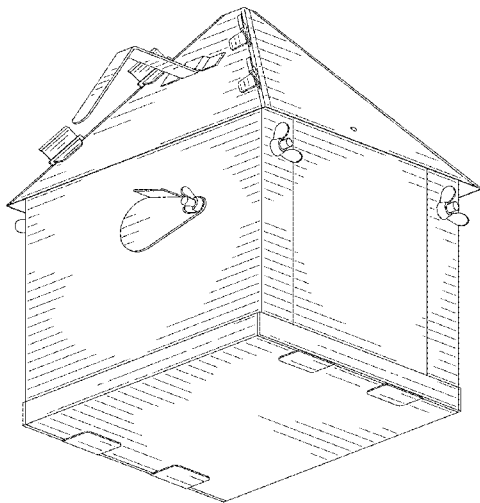
FIG. 7 is a bottom perspective view thereof;

FIG. 8 is a side perspective view thereof; and,

FIG. 9 is a perspective view of the folding smoker in an open position.

The details shown in broken lines form no part of the claimed design.

**1 Claim, 9 Drawing Sheets**



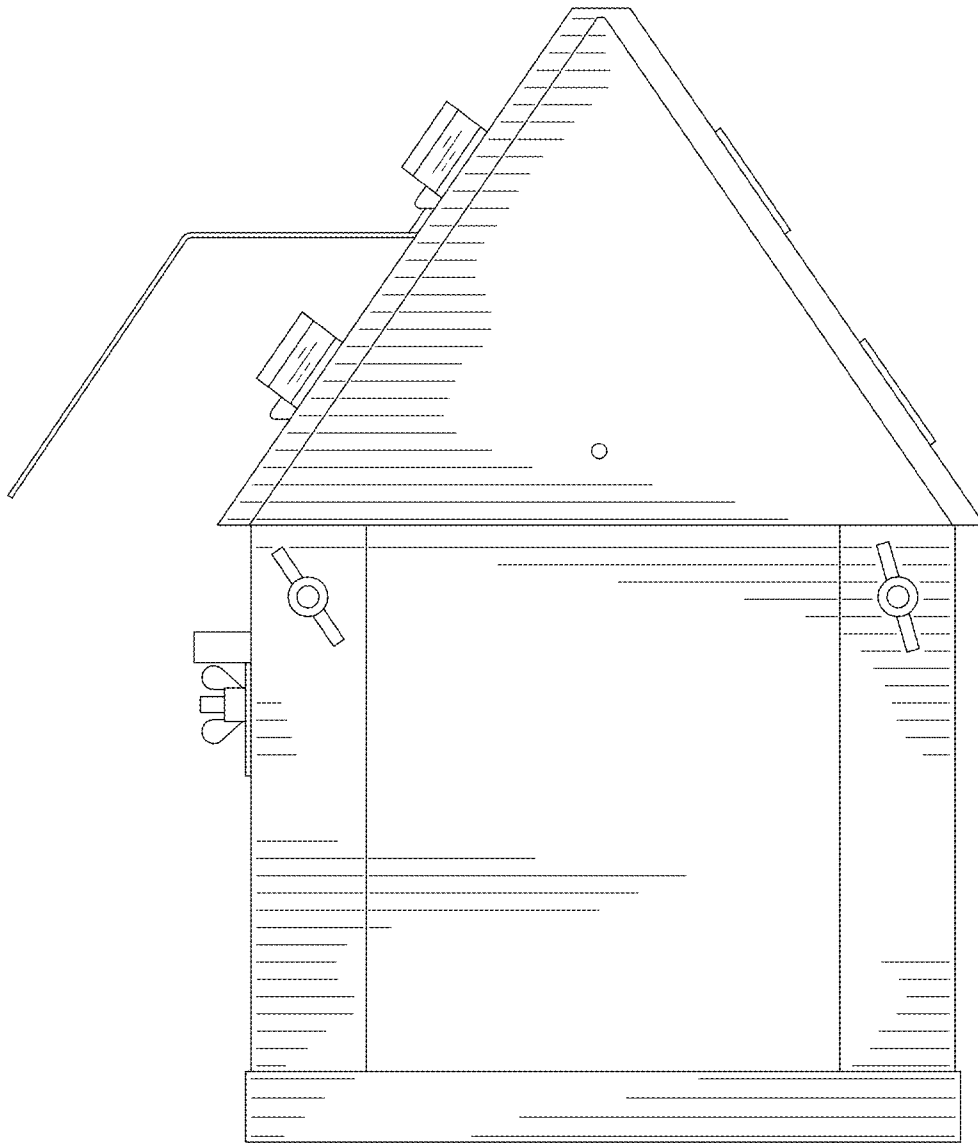


FIG. 1

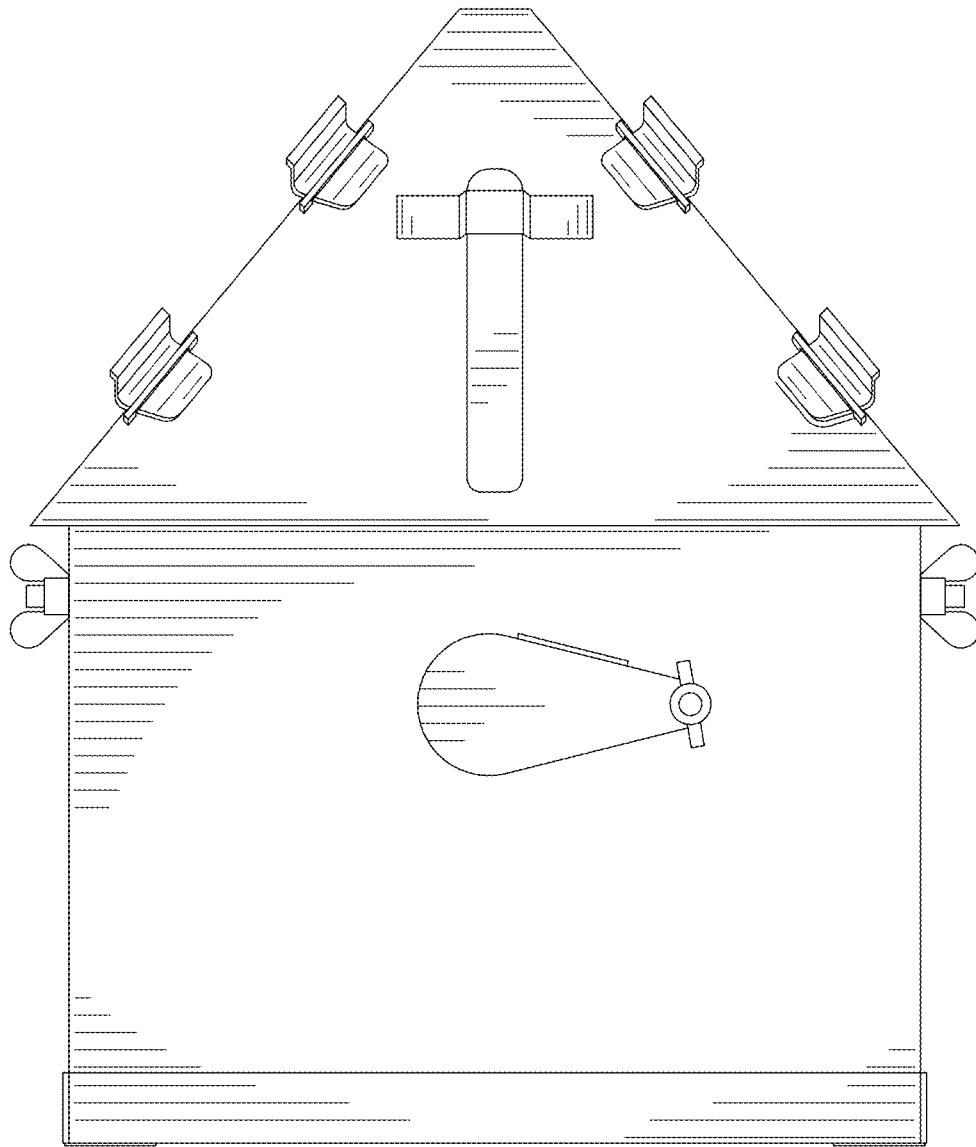


FIG. 2

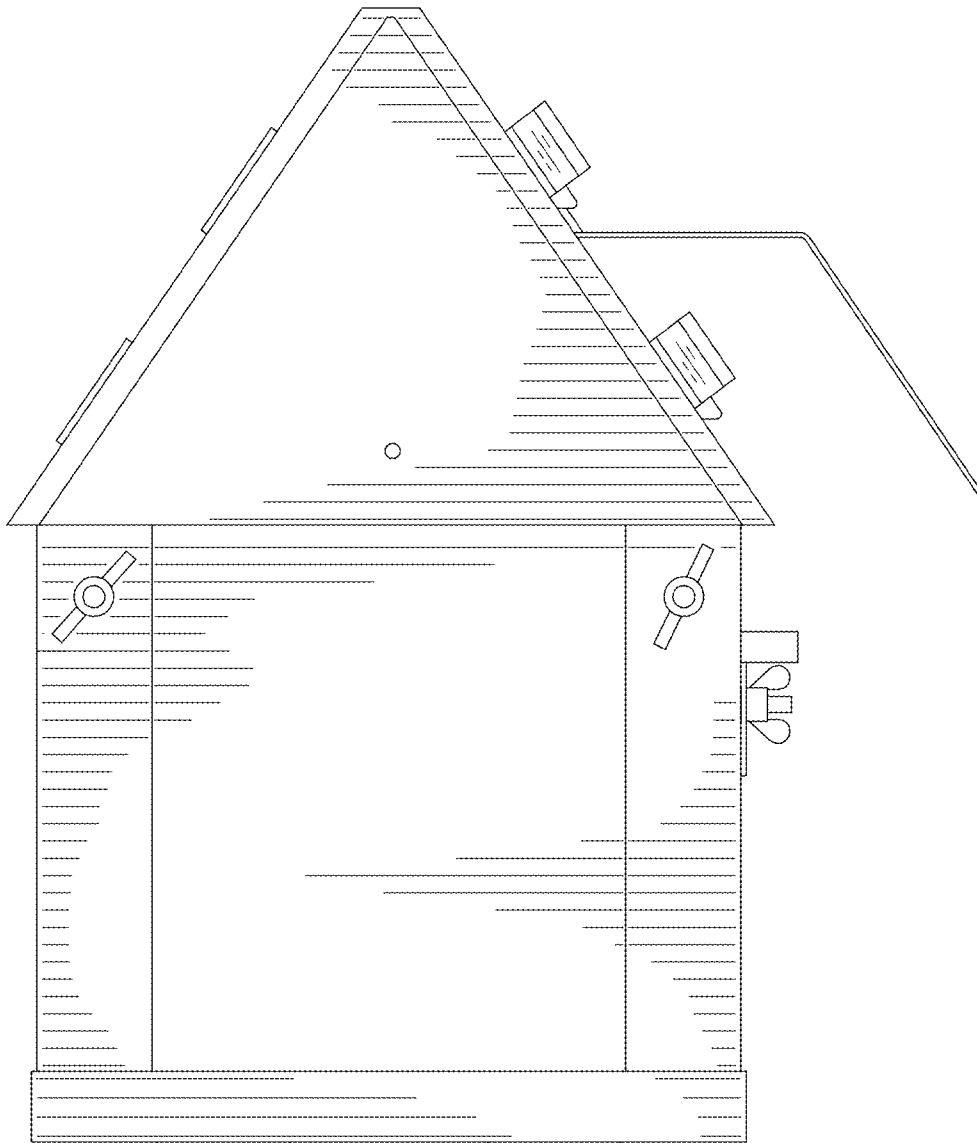


FIG. 3

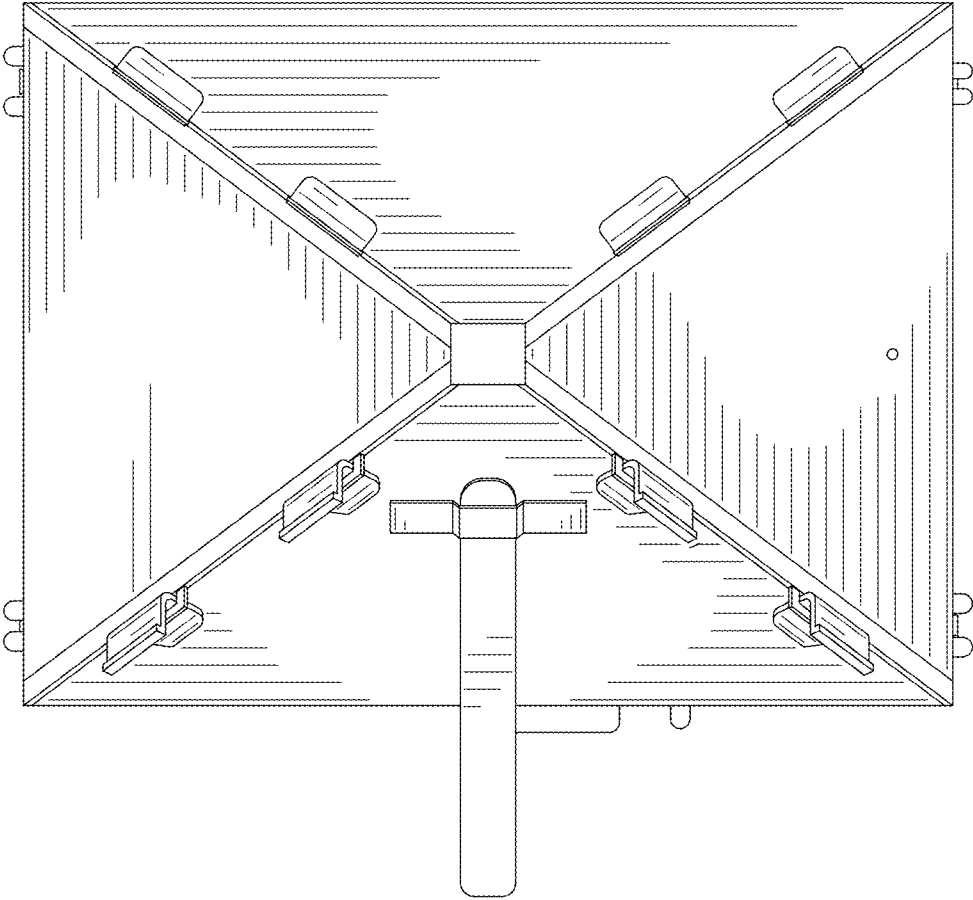


FIG. 4

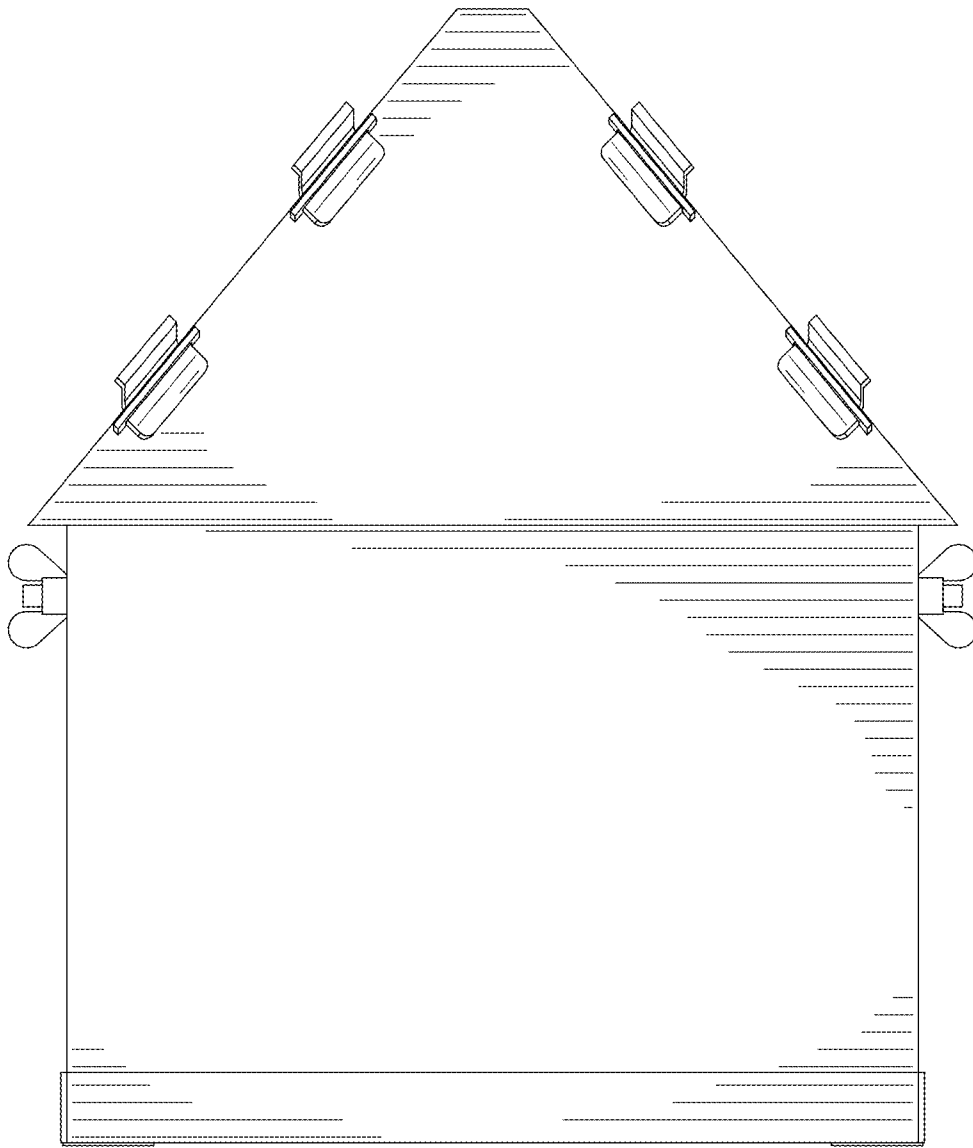


FIG. 5

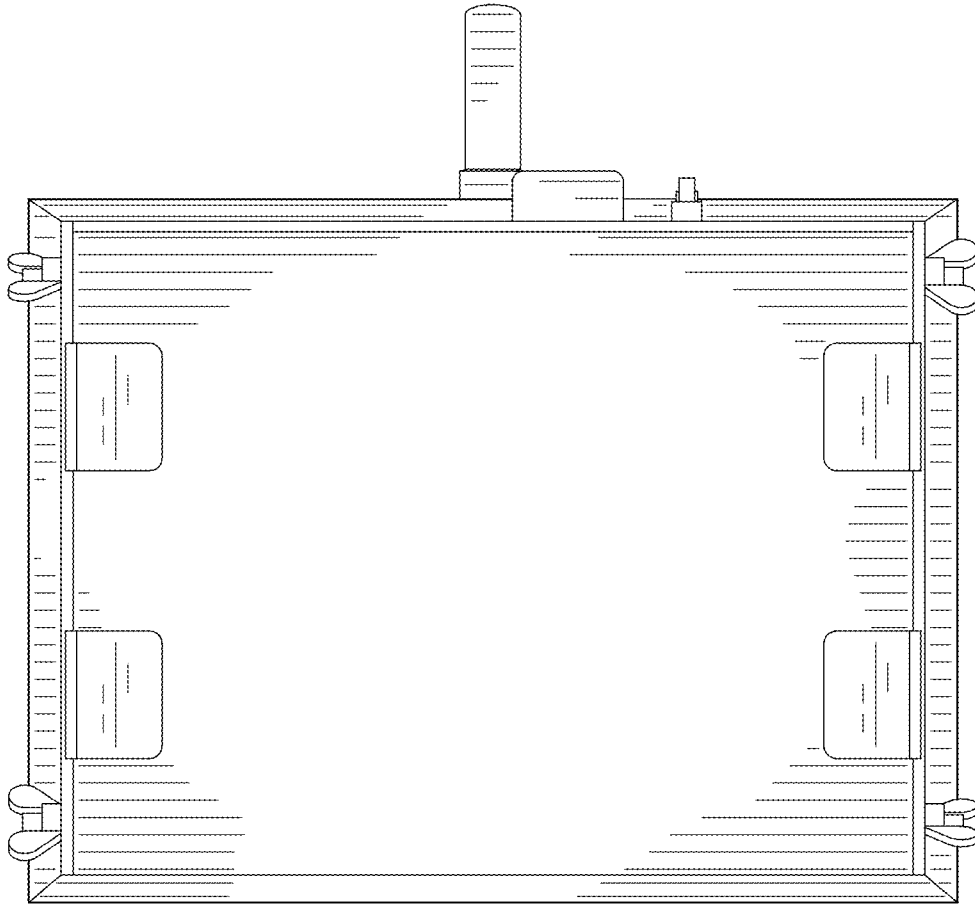


FIG. 6

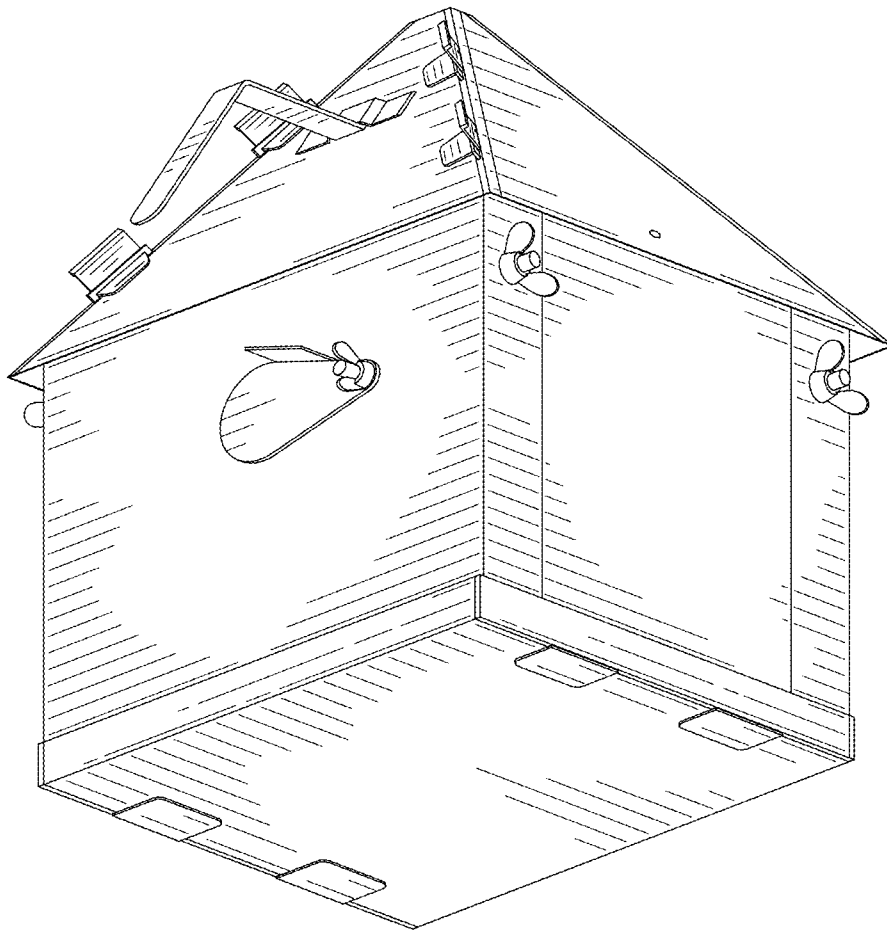


FIG. 7

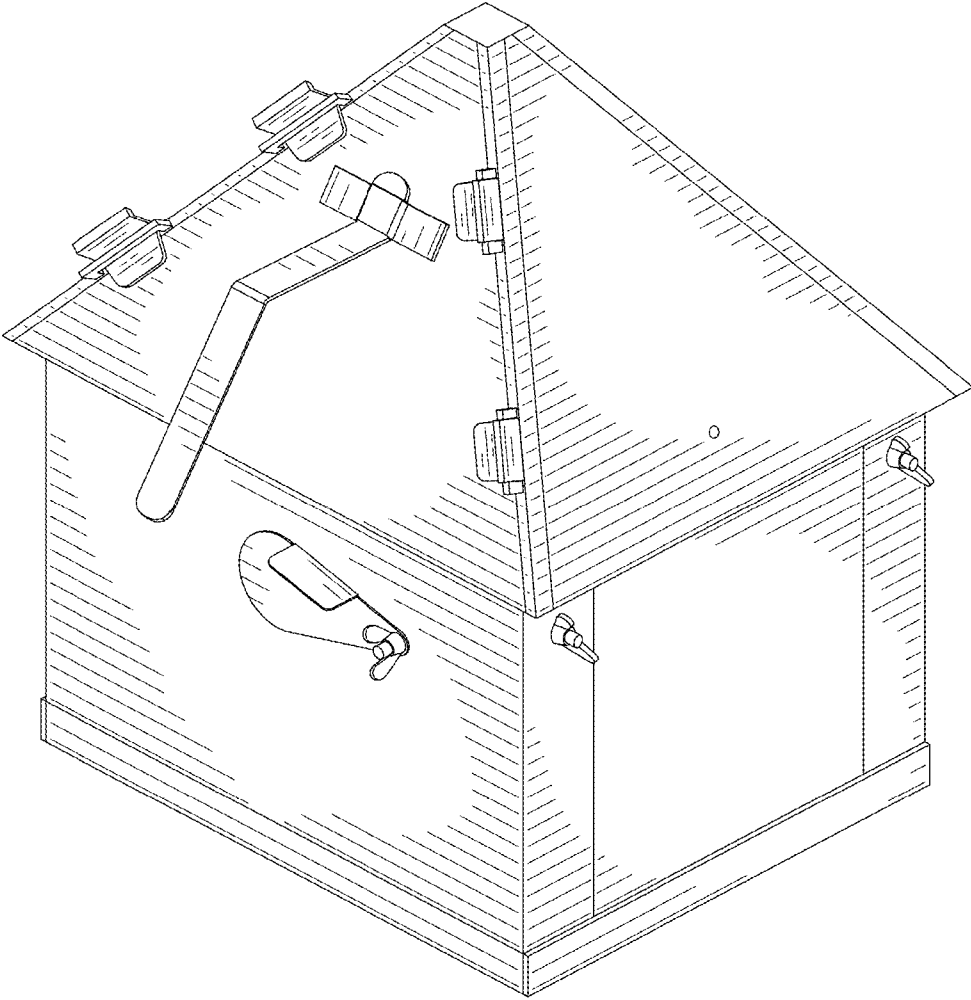


FIG. 8

FIG. 9

