

United States Patent Office

Des. 203,140
Patented Dec. 7, 1965

203,140

PORTABLE TYPEWRITER

John D. Cuccio, 19 Woods Grove, Westport, Conn.

Filed Feb. 24, 1965, Ser. No. 83,968

Term of patent 14 years

(Cl. D64—11)

Fig 1

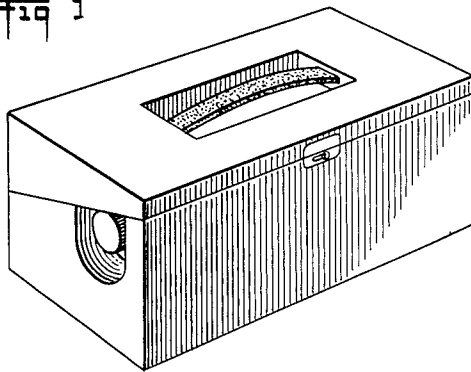
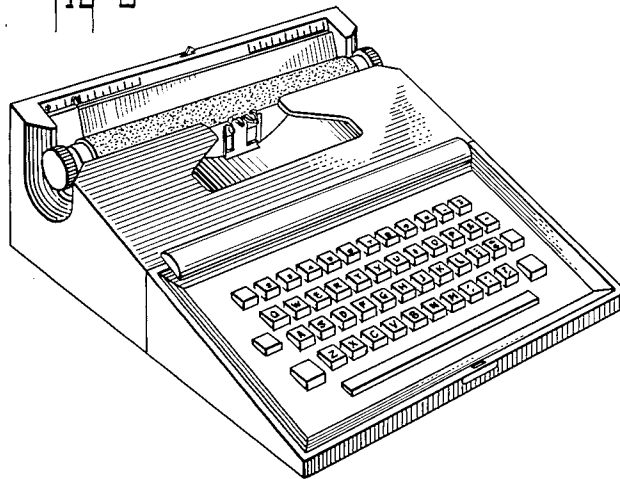


Fig 2



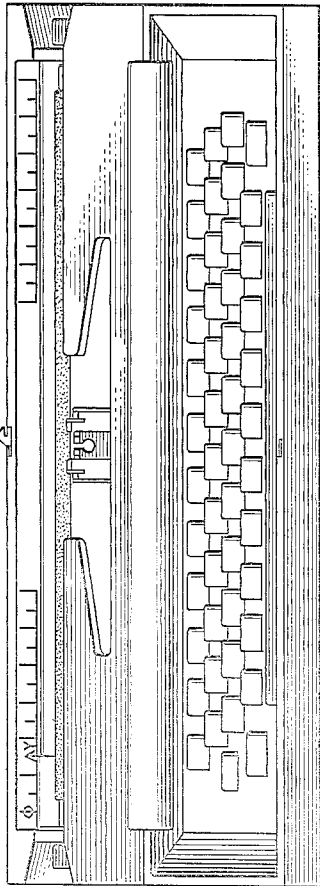


FIG. 1

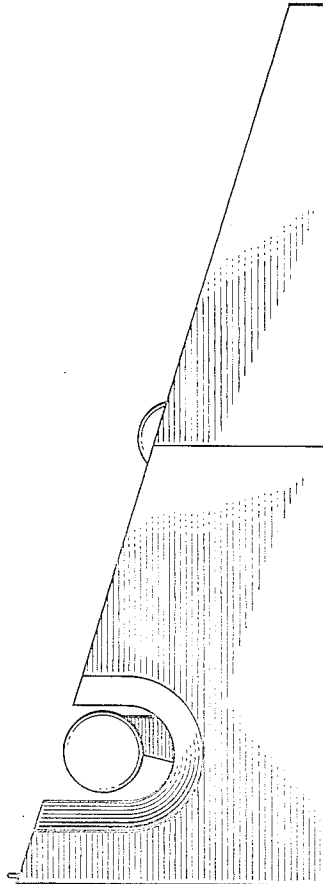


FIG. 2



FIG. 1 is a perspective view of my "portable typewriter" in a closed carrying position;

FIG. 2 is a perspective view of the side opposite to that of FIG. 1 as it appears in open operating position;

FIG. 3 is a front view thereof; and

FIG. 4 is a side view thereof.

I claim:

The ornamental design for a portable typewriter, substantially as shown and described.

References Cited by the Examiner

UNITED STATES PATENTS

D. 186,560	11/1959	Bruening.	
D. 190,256	5/1961	Covey D64-11
1,383,638	7/1921	Kidder 197-186
2,418,785	4/1947	Mills 197-186

OTHER REFERENCES

The Washington Star Pictorial Magazine, Feb. 28, 1954, p. 12, lower steel bond box.

EDWIN H. HUNTER, *Primary Examiner.*

LOUIS J. PERLSTEIN, BRUCE W. DUNKINS,
Assistant Examiners.