



US00D654280S

(12) **United States Design Patent**  
**Fujita**

(10) **Patent No.:** **US D654,280 S**

(45) **Date of Patent:** **\*\* Feb. 21, 2012**

(54) **CHAIR**

(75) Inventor: **Hisato Fujita**, Kanagawa (JP)

(73) Assignee: **Okamura Corporation**, Kanagawa (JP)

(\*\*) Term: **14 Years**

(21) Appl. No.: **29/334,946**

(22) Filed: **Apr. 6, 2009**

(30) **Foreign Application Priority Data**

Oct. 9, 2008 (JP) ..... 2008-25943

(51) **LOC (9) Cl.** ..... **06-01**

(52) **U.S. Cl.** ..... **D6/366**

(58) **Field of Classification Search** ..... D6/334-336,  
D6/346-367, 369, 379-380, 498, 500-502;  
297/411.2, 411.27, 411.36, 452.13, 452.21,  
297/452.29, 452.35, 452.3, 452.64

See application file for complete search history.

(56) **References Cited**

**U.S. PATENT DOCUMENTS**

D476,820	S	*	7/2003	Nagamitsu	.....	D6/366
D509,969	S	*	9/2005	Loew et al.	.....	D6/366
D527,920	S	*	9/2006	Giugiaro	.....	D6/366
D536,890	S	*	2/2007	Loew et al.	.....	D6/366
D546,594	S	*	7/2007	Kane et al.	.....	D6/500
D549,975	S	*	9/2007	Fancelli	.....	D6/366
D550,975	S	*	9/2007	Meda	.....	D6/366
D553,376	S	*	10/2007	Nakamura et al.	.....	D6/366
D557,917	S	*	12/2007	Nakamura et al.	.....	D6/366
D558,994	S	*	1/2008	Machael et al.	.....	D6/366

D562,574	S	*	2/2008	Dallmann et al.	.....	D6/334
D567,522	S	*	4/2008	Igarashi	.....	D6/366
D568,057	S	*	5/2008	Igarashi	.....	D6/366
D568,625	S	*	5/2008	Klaasen et al.	.....	D6/366
D599,125	S	*	9/2009	Piretti	.....	D6/366
D613,088	S	*	4/2010	Fujita	.....	D6/366
D637,423	S	*	5/2011	Behar et al.	.....	D6/500
D641,576	S	*	7/2011	Giugiaro	.....	D6/502
D644,862	S	*	9/2011	Gaschy	.....	D6/500
D646,093	S	*	10/2011	Collinson	.....	D6/502
D646,511	S	*	10/2011	Ballendat	.....	D6/500
D646,513	S	*	10/2011	Mezzera	.....	D6/502
D646,515	S	*	10/2011	Vong	.....	D6/502

\* cited by examiner

*Primary Examiner* — Elizabeth Albert

*Assistant Examiner* — Kelley Donnelly

(74) *Attorney, Agent, or Firm* — Sughrue Mion, PLLC

(57) **CLAIM**

The ornamental design for a chair, as shown and described.

**DESCRIPTION**

FIG. 1 is a perspective view from the front side of a chair.

FIG. 2 is a perspective view from the rear side thereof.

FIG. 3 is a front elevation view thereof.

FIG. 4 is a rear elevation view thereof.

FIG. 5 is a right side elevation view thereof.

FIG. 6 is a left side elevation view thereof.

FIG. 7 is a top plan view thereof; and,

FIG. 8 is a bottom plan view thereof.

The broken lines depict environmental subject matter only and form no part of the claimed design.

**1 Claim, 8 Drawing Sheets**

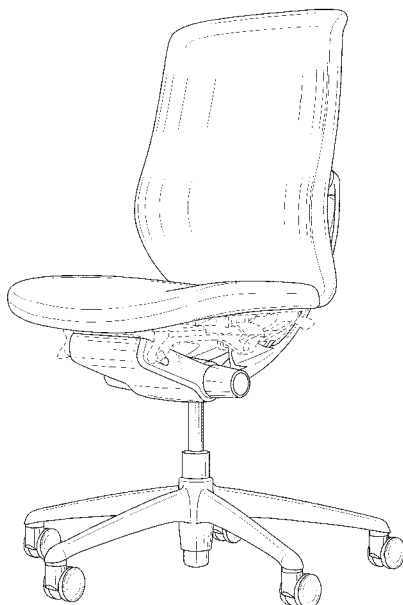


FIG. 1

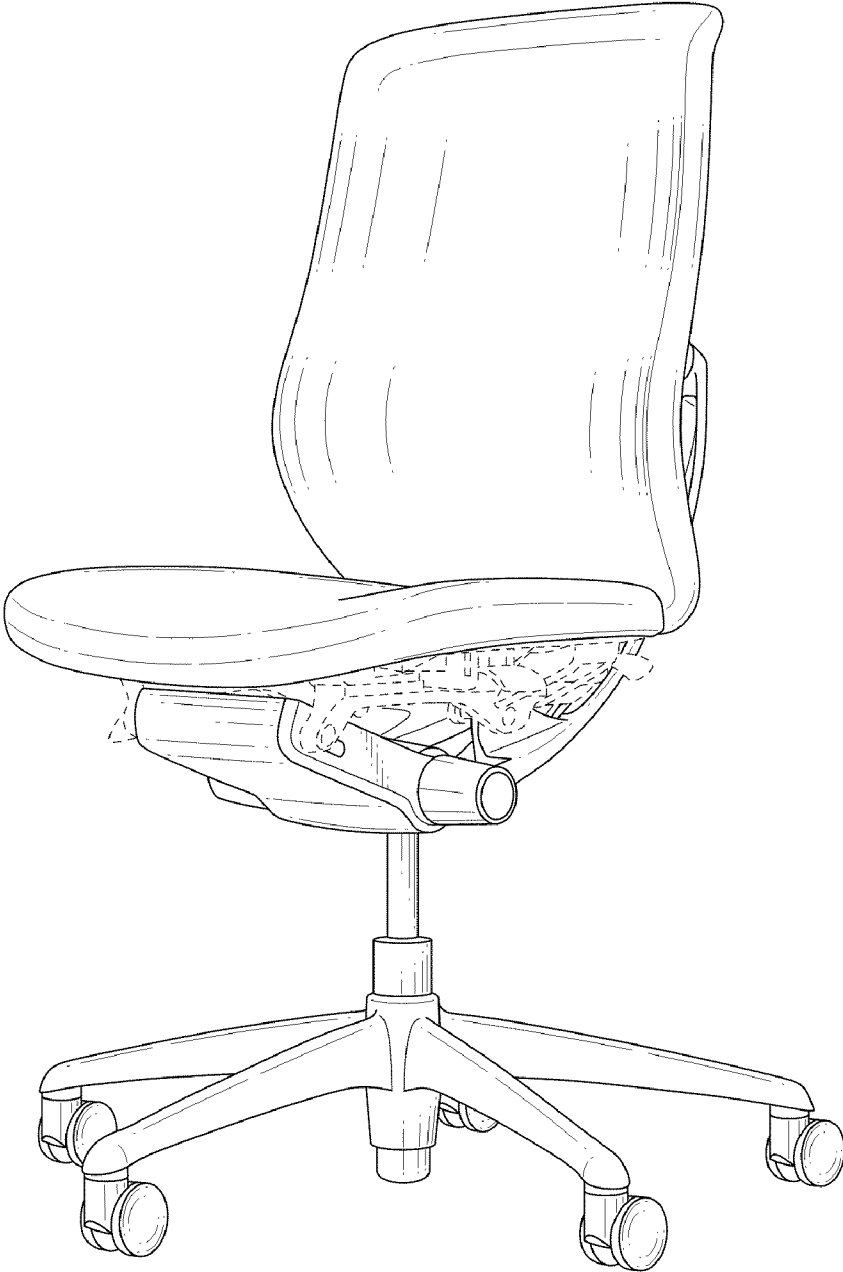


FIG. 2



FIG. 3

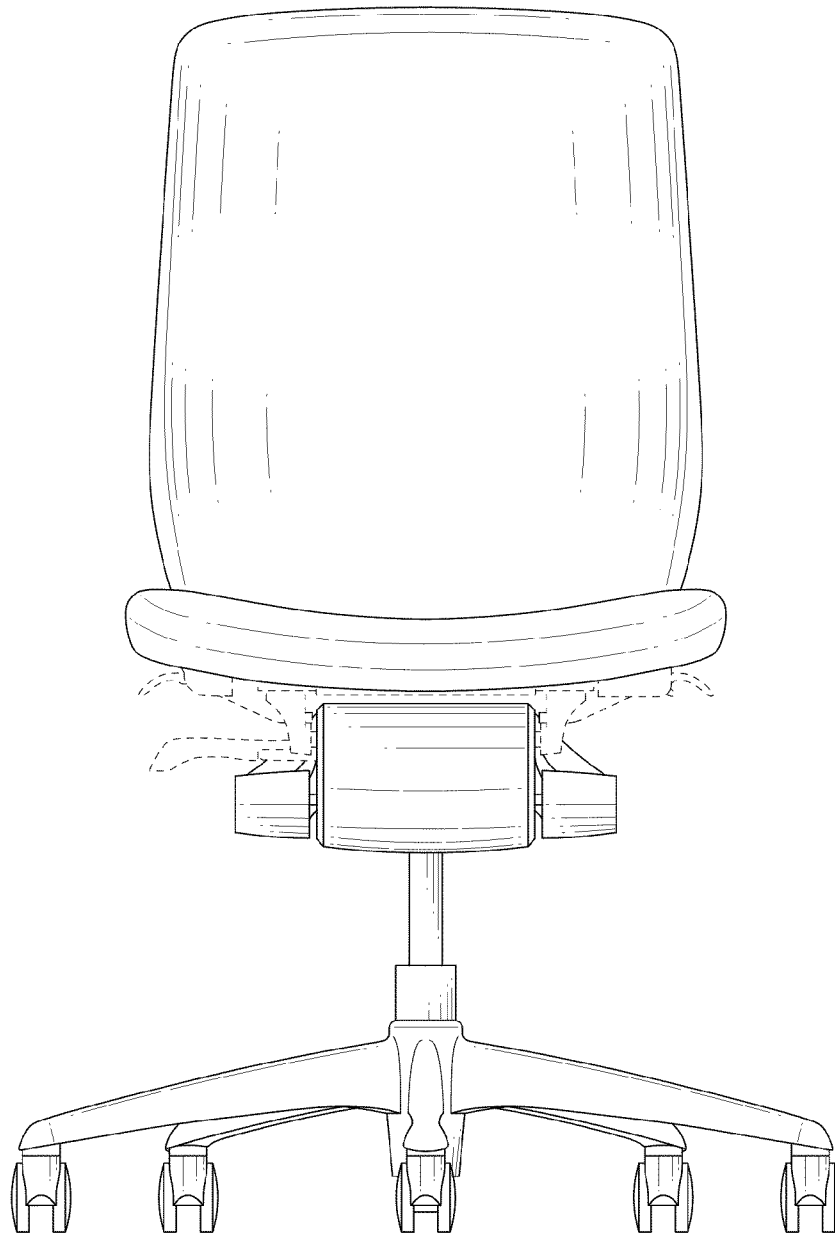


FIG. 4

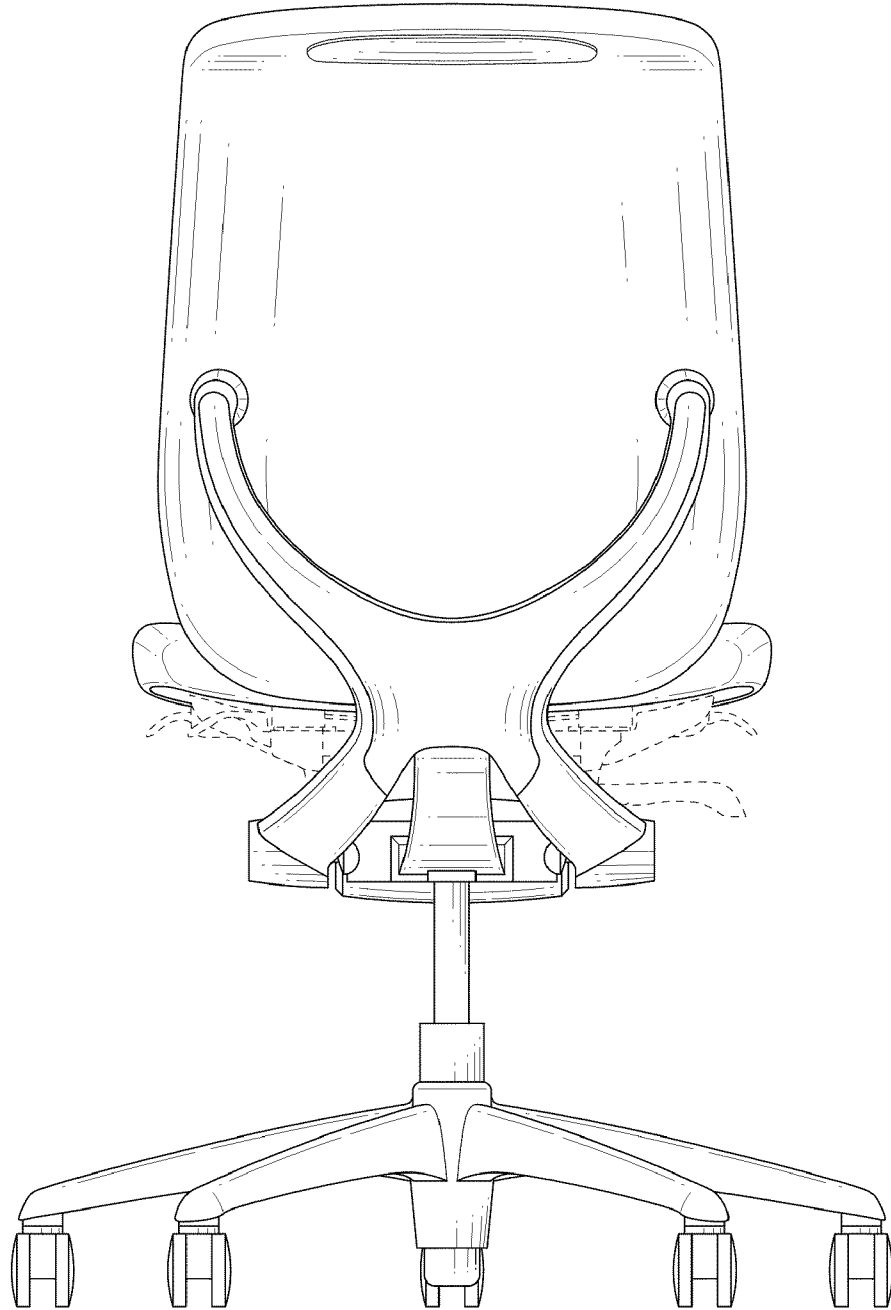


FIG. 5

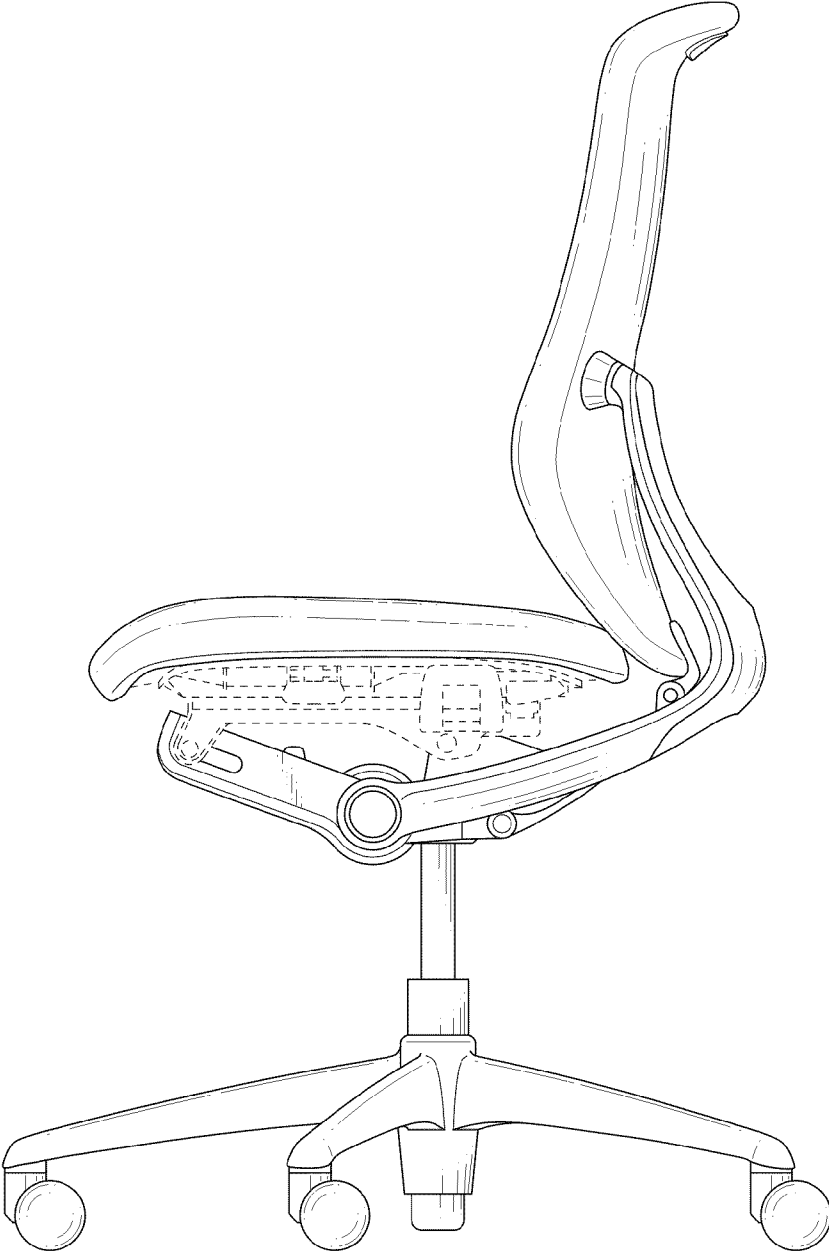


FIG. 6

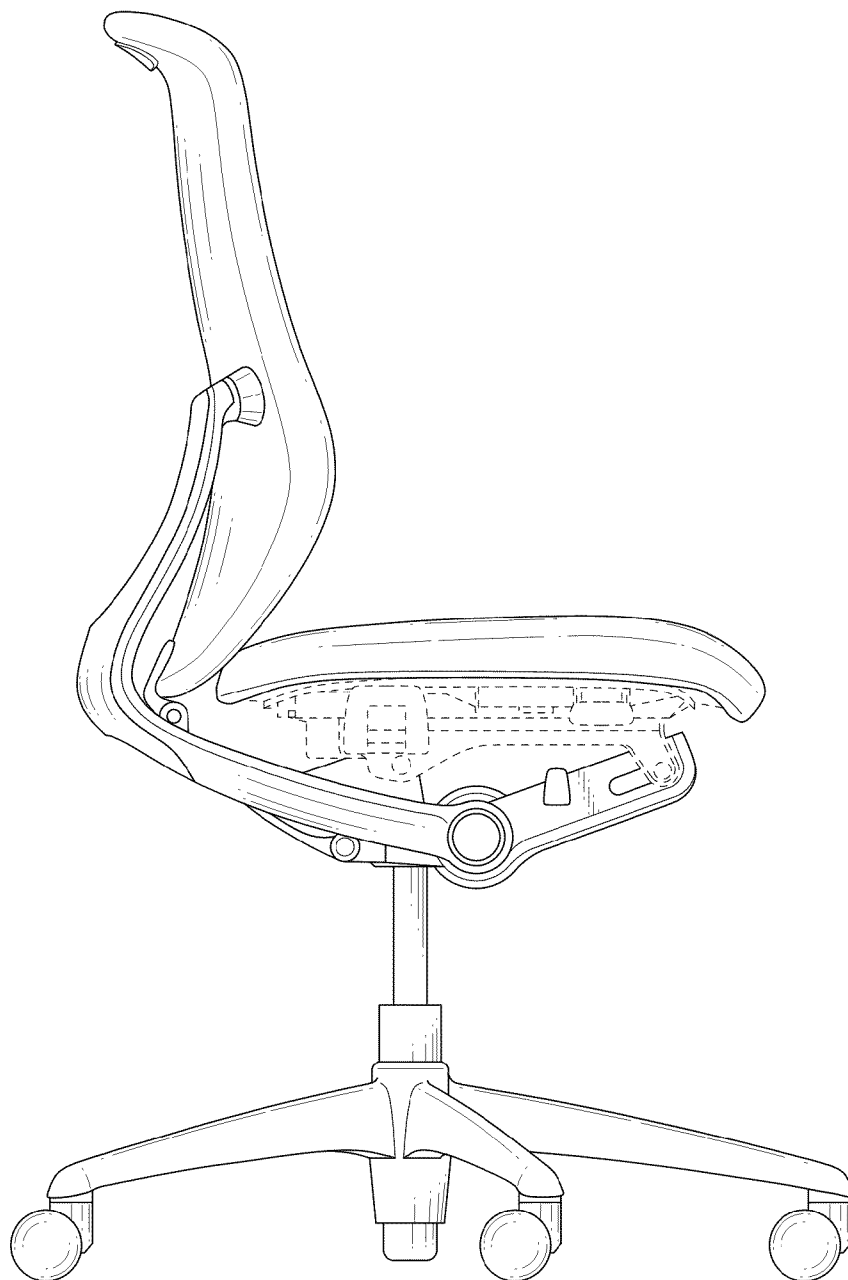


FIG. 7

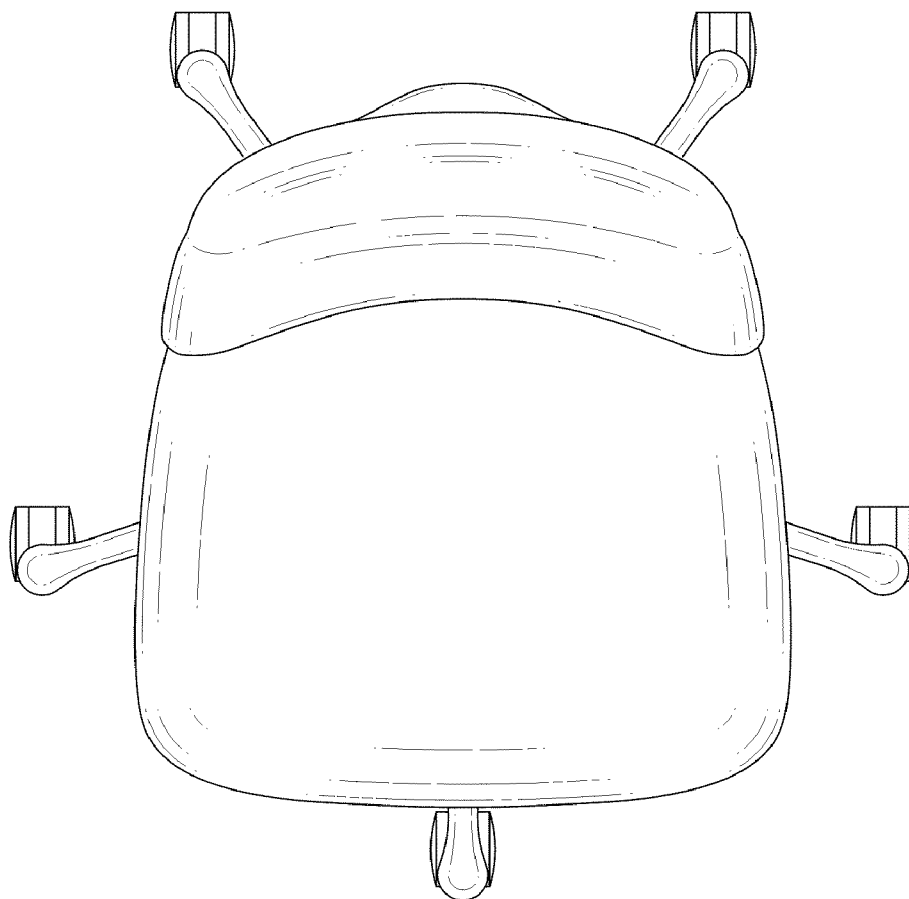




FIG. 8

