



US00D334136S

United States Patent [19]

McCord et al.

[11] Patent Number: Des. 334,136

[45] Date of Patent: ** Mar. 23, 1993

[54] LEG AND CASTER

[75] Inventors: Robert C. McCord, Florence;
Raymond G. Couture, Chicopee, both
of Mass.

[73] Assignee: Standex International Corporation,
Salem, N.H.

[**] Term: 14 Years

[21] Appl. No.: 646,333

[22] Filed: Jan. 28, 1991

[52] U.S. Cl. D8/375

[58] Field of Search D8/375; 16/32, 45-42 T

[56] **References Cited**

U.S. PATENT DOCUMENTS

129,550	7/1872	Harding	16/32
D. 308,934	7/1990	Howell et al.	38/375
502,189	2/1893	Hall	16/32
1,015,572	1/1912	Maier	16/45
1,019,302	3/1912	Butcher	16/32
1,024,227	4/1912	Rocic	16/45

1,853,316	4/1932	Schacht	16/45
4,085,479	4/1978	Barney	16/45
4,249,282	2/1981	Little	16/32

FOREIGN PATENT DOCUMENTS

256602	9/1988	France	16/45
--------	--------	--------	-------

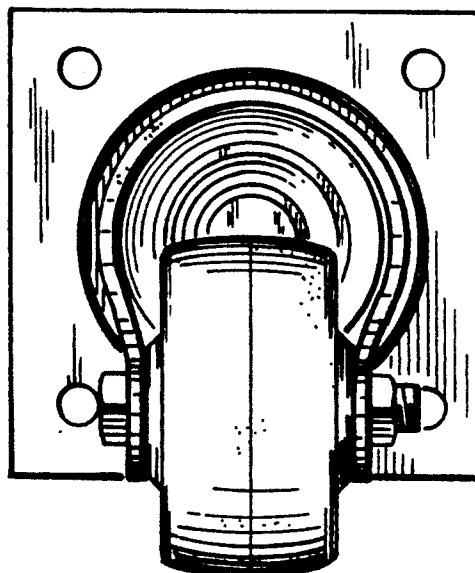
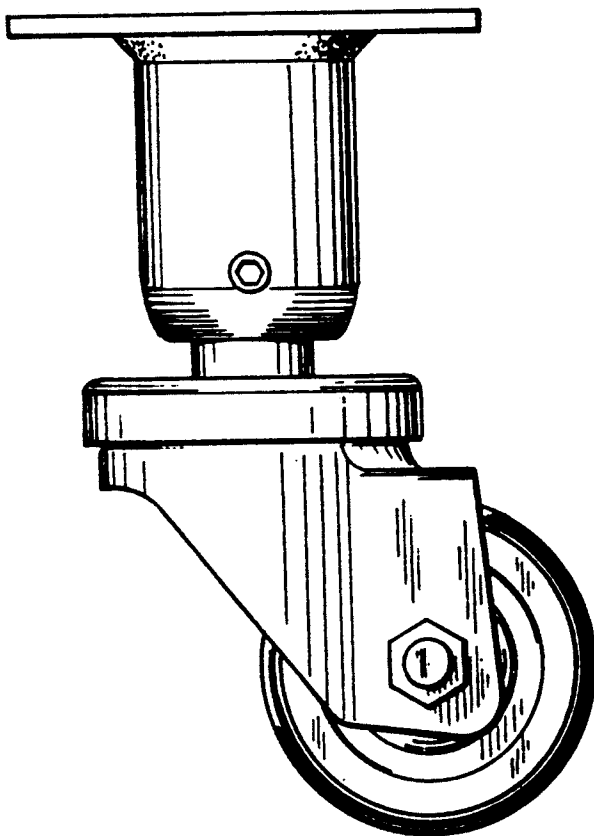
Primary Examiner—Horace B. Fay, Jr.
Attorney, Agent, or Firm—Fishman, Dionne & Cantor

[57] **CLAIM**

The ornamental design for a leg and caster, as shown and described.

DESCRIPTION

FIG. 1 is a right side elevation view of our new design for a leg and caster;
FIG. 2 is a rear elevation view of the leg and caster shown in FIG. 1;
FIG. 3 is a top plan view of the leg and caster shown in FIG. 1;
FIG. 4 is a rear elevation view of the leg and caster shown in FIG. 1; and,
FIG. 5 is a bottom plan view of the leg and caster shown in FIG. 1.



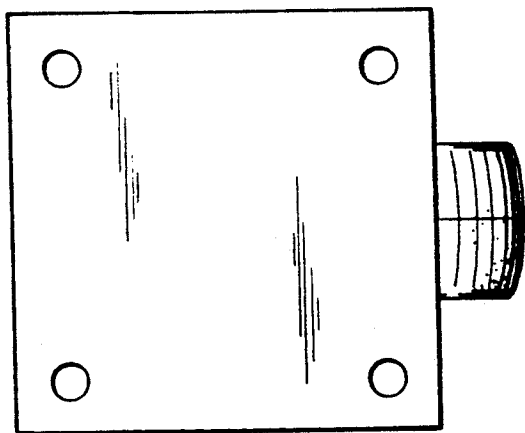


FIG. 3

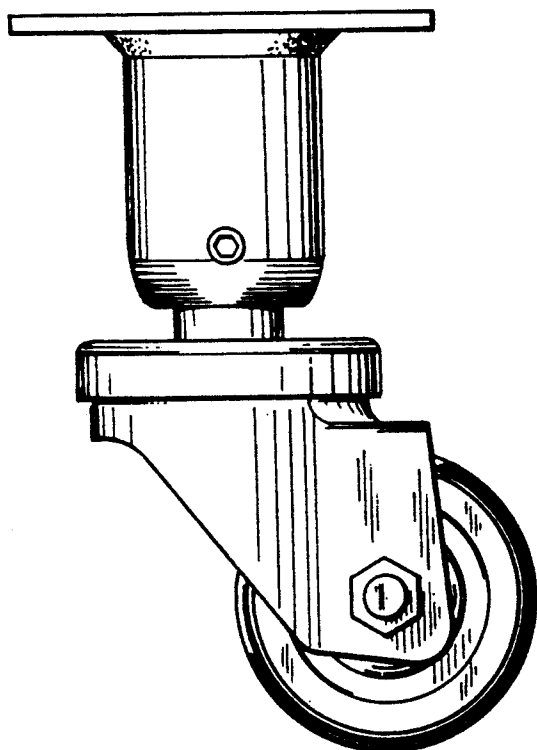


FIG. 1

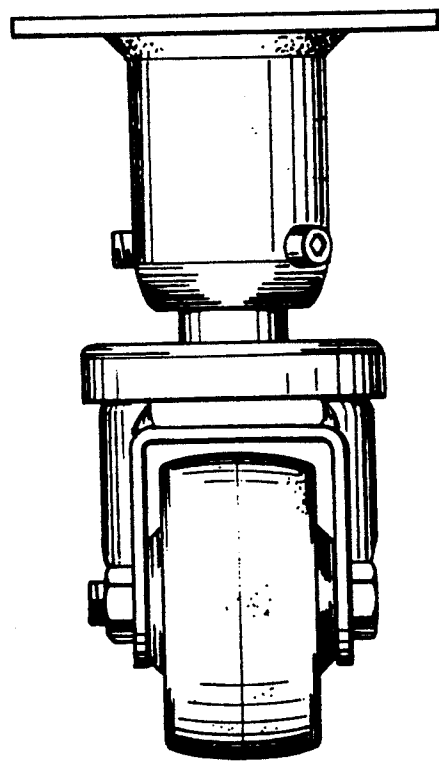


FIG. 2

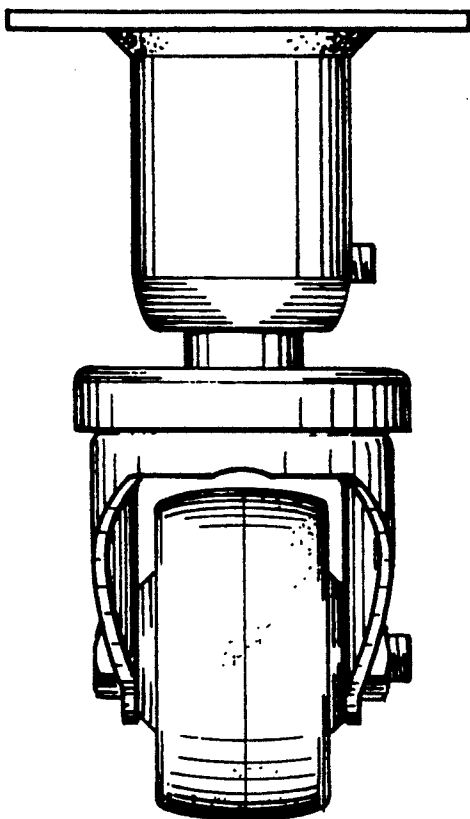


FIG. 4

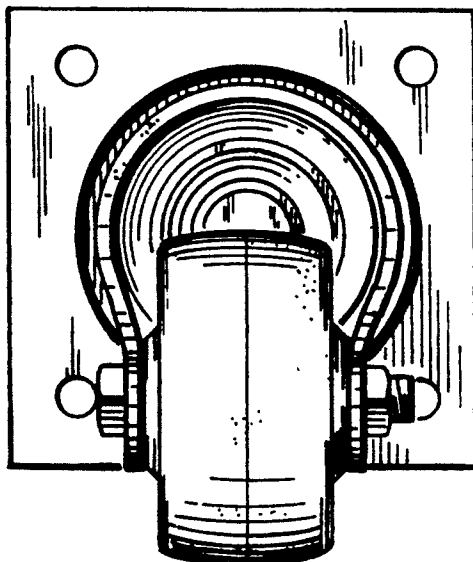


FIG. 5