



- (51) International Patent Classification:
A61L 2/00 (2006.01) *G01J 1/42* (2006.01)
- (21) International Application Number:
PCT/US2016/039506
- (22) International Filing Date:
27 June 2016 (27.06.2016)
- (25) Filing Language: English
- (26) Publication Language: English
- (30) Priority Data:
62/184,641 25 June 2015 (25.06.2015) US
- (71) Applicant: DAYLIGHT MEDICAL, INC. [US/US];
17991 Englewood Drive, Middleburg Heights, OH 44130
(US).
- (72) Inventor: DAYTON, Roderick, M.; 17212 Misty Lake
Drive, Strongsville, OH 44136 (US).
- (74) Agents: FIRCA, Donald, J., Jr. et al.; Pearne & Gordon,
LLP, 1801 East 9th Street, Suite 1200, Cleveland, OH
44114 (US).
- (81) Designated States (unless otherwise indicated, for every
kind of national protection available): AE, AG, AL, AM,
AO, AT, AU, AZ, BA, BB, BG, BH, BN, BR, BW, BY,
BZ, CA, CH, CL, CN, CO, CR, CU, CZ, DE, DK, DM,

DO, DZ, EC, EE, EG, ES, FI, GB, GD, GE, GH, GM, GT,
HN, HR, HU, ID, IL, IN, IR, IS, JP, KE, KG, KN, KP, KR,
KZ, LA, LC, LK, LR, LS, LU, LY, MA, MD, ME, MG,
MK, MN, MW, MX, MY, MZ, NA, NG, NI, NO, NZ, OM,
PA, PE, PG, PH, PL, PT, QA, RO, RS, RU, RW, SA, SC,
SD, SE, SG, SK, SL, SM, ST, SV, SY, TH, TJ, TM, TN,
TR, TT, TZ, UA, UG, US, UZ, VC, VN, ZA, ZM, ZW.

(84) Designated States (unless otherwise indicated, for every
kind of regional protection available): ARIPO (BW, GH,
GM, KE, LR, LS, MW, MZ, NA, RW, SD, SL, ST, SZ,
TZ, UG, ZM, ZW), Eurasian (AM, AZ, BY, KG, KZ, RU,
TJ, TM), European (AL, AT, BE, BG, CH, CY, CZ, DE,
DK, EE, ES, FI, FR, GB, GR, HR, HU, IE, IS, IT, LT, LU,
LV, MC, MK, MT, NL, NO, PL, PT, RO, RS, SE, SI, SK,
SM, TR), OAPI (BF, BJ, CF, CG, CI, CM, GA, GN, GQ,
GW, KM, ML, MR, NE, SN, TD, TG).

Published:

- with international search report (Art. 21(3))
- before the expiration of the time limit for amending the
claims and to be republished in the event of receipt of
amendments (Rule 48.2(h))

(88) Date of publication of the international search report:
13 July 2017

(54) Title: DECONTAMINATION SYSTEM AND DECONTAMINATION UNIT HOUSING EQUIPPED WITH REMOTE CONTROL

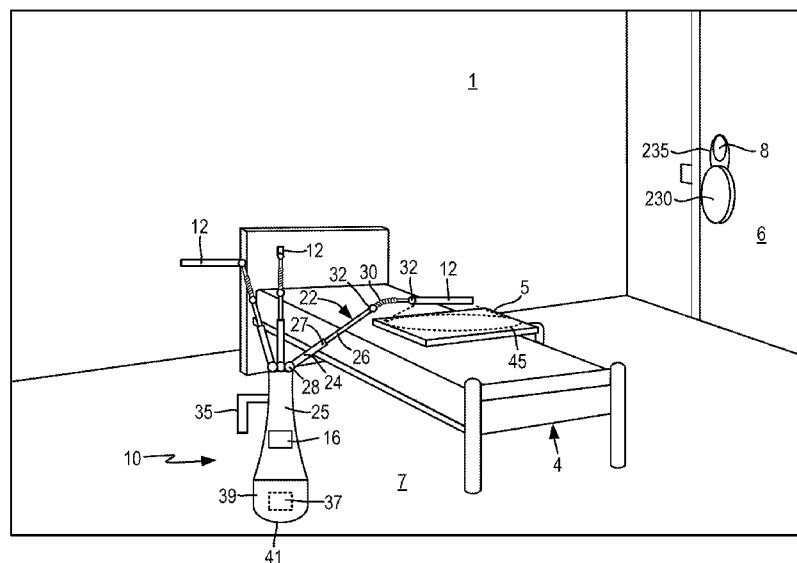


FIG. 1

(57) Abstract: Provided is a decontamination apparatus and method involving a base, and a plurality of sources that each emit UVC light to render a target object pathogen reduced. A plurality of adjustable supports couple the sources to the base, and a controller is coupled to the base to be operatively connected to the sources to control emission of the UVC light. A housing is removably installed on the base to protect the plurality of sources. A remote control is provided to the housing and includes a user interface that receives an input from a user and transmits a control instruction to the controller based on the input received, resulting in desired operation of the sources by the controller.

INTERNATIONAL SEARCH REPORT

International application No.

PCT/US2016/039506

A. CLASSIFICATION OF SUBJECT MATTER

IPC(8) - A61L 2/00; G01J 1/42 (2016.01)

CPC - A61L 2/10; G01J 1/429 (2016.05)

According to International Patent Classification (IPC) or to both national classification and IPC

B. FIELDS SEARCHED

Minimum documentation searched (classification system followed by classification symbols)

IPC - A61L 2/00; G01J 1/42

CPC - A61L 2/10; A61L 9/20; B65B 55/08; C02F 1/325; C02F 2201/3228; G01J 1/429

Documentation searched other than minimum documentation to the extent that such documents are included in the fields searched
USPC - 250504000R; 250/372; 250/455.110; 250/491.100; 250/492.100; 250/494.100; 250/522.100; 422/24; 422/25; 422/107; 422/108; 422/116; 422/186.300 (keyword delimited)

Electronic data base consulted during the international search (name of data base and, where practicable, search terms used)

Orbit, Google Patents, Google Scholar, Google

Search terms used: decontaminate, disinfect, sanitize, sterile, housing, enclosure, case, casing, chassis, cover, remove, detach, attach, separate, couple, sensor, detector, controller, processor, remote, wireless, wifi, transmit, transceiver,

C. DOCUMENTS CONSIDERED TO BE RELEVANT

Category*	Citation of document, with indication, where appropriate, of the relevant passages	Relevant to claim No.
Y	US 2012/0305787 A1 (HENSON BRIAN ROY) 06 December 2012 (06.12.2012) entire document	1-20
Y	US 2011/0243789 A1 (ROBERTS) 06 October 2011 (06.10.2011) entire document	1-12
Y	US 2012/0076702 A1 (DUNKLEY et al) 29 March 2012 (29.03.2012) entire document	9, 13-20
Y	US 7,595,723 B2 (HEITZMANN et al) 29 September 2009 (29.09.2009) entire document	10
Y	US 8,581,522 B2 (INSKEEP) 12 November 2013 (12.11.2013) entire document	11, 12, 17-20
A	US 6,656,424 B1 (DEAL) 02 December 2003 (02.12.2003) entire document	1-20
A	US 8,791,441 B1 (LICHTBLAU) 29 July 2014 (29.07.2014) entire document	1-20
A	US 2004/0249369 A1 (MUZZI et al) 09 December 2004 (09.12.2004) entire document	1-20
A	US 2014/0044590 A1 (TRAPANI) 13 February 2014 (13.02.2014) entire document	1-20

 Further documents are listed in the continuation of Box C.

 See patent family annex.

* Special categories of cited documents:

"A" document defining the general state of the art which is not considered to be of particular relevance

"E" earlier application or patent but published on or after the international filing date

"L" document which may throw doubts on priority claim(s) or which is cited to establish the publication date of another citation or other special reason (as specified)

"O" document referring to an oral disclosure, use, exhibition or other means

"P" document published prior to the international filing date but later than the priority date claimed

"T" later document published after the international filing date or priority date and not in conflict with the application but cited to understand the principle or theory underlying the invention

"X" document of particular relevance; the claimed invention cannot be considered novel or cannot be considered to involve an inventive step when the document is taken alone

"Y" document of particular relevance; the claimed invention cannot be considered to involve an inventive step when the document is combined with one or more other such documents, such combination being obvious to a person skilled in the art

"&" document member of the same patent family

Date of the actual completion of the international search

25 August 2016

Date of mailing of the international search report

31 MAY 2017

Name and mailing address of the ISA/

Mail Stop PCT, Attn: ISA/US, Commissioner for Patents
P.O. Box 1450, Alexandria, VA 22313-1450

Facsimile No. 571-273-8300

Authorized officer

Blaine R. Copenheaver

PCT Helpdesk: 571-272-4300
PCT OSP: 571-272-7774