



US00D676818S

(12) **United States Design Patent**  
**Park et al.**

(10) **Patent No.:** **US D676,818 S**

(45) **Date of Patent:** **\*\* Feb. 26, 2013**

- (54) **COMMUNICATION DEVICE**
- (75) Inventors: **Cheol Woo Park**, Chicago, IL (US); **Xin Se**, Beijing (CN)
- (73) Assignee: **Motorola Mobility LLC**, Libertyville, IL (US)
- (\*\*) Term: **14 Years**
- (21) Appl. No.: **29/408,145**

- (22) Filed: **Dec. 7, 2011**
  - (51) **LOC (9) Cl.** ..... **14-03**
  - (52) **U.S. Cl.** ..... **D14/138 G**
  - (58) **Field of Classification Search** ..... D14/138 G,  
D14/138 AD, 341, 346, 138 R, 138 AA, 138 AC,  
D14/138 C, 496, 203.1, 203.4, 203.7, 248,  
D14/218; 455/575.1, 556.2, 575.3, 575.4;  
D21/517; 379/433.01, 433.04; D10/65,  
D10/78, 104; D13/168
- See application file for complete search history.

(56) **References Cited**

**U.S. PATENT DOCUMENTS**

D530,698 S *	10/2006	Lee et al.	.....	D14/138 G
D536,329 S *	2/2007	Lee	.....	D14/203.6
D558,757 S	1/2008	Andre et al.		
D577,704 S	9/2008	Park et al.		
D578,503 S	10/2008	Shin et al.		
D578,984 S	10/2008	Oh et al.		
D580,905 S *	11/2008	Park et al.	.....	D14/138 AD
D588,567 S	3/2009	Miles et al.		
D588,568 S	3/2009	Miles et al.		
D592,166 S	5/2009	Song		
D592,201 S	5/2009	Shi		
D593,987 S	6/2009	Lin		
D597,067 S	7/2009	Oh et al.		
D601,539 S	10/2009	Hong		
D601,558 S	10/2009	Andre et al.		
D606,037 S	12/2009	Christopher et al.		
D606,038 S	12/2009	Aarras		
D606,129 S	12/2009	Ben-Moshe		
D606,505 S	12/2009	Seflic et al.		
D606,961 S *	12/2009	Aarras	.....	D14/138 AD
D615,059 S *	5/2010	Price et al.	.....	D14/138 G
D615,083 S	5/2010	Andre et al.		
D615,523 S	5/2010	Lee et al.		

(Continued)

**OTHER PUBLICATIONS**

Motorola Motoluxe telephone, announced Jan. 2012, [online], [site visited Sep. 26, 2011]. Available from Internet, <URL: [http://www.gsmarena.com/motorola\\_motoluxe-4404.php](http://www.gsmarena.com/motorola_motoluxe-4404.php)>.\*

(Continued)

*Primary Examiner* — Jeffrey D Asch

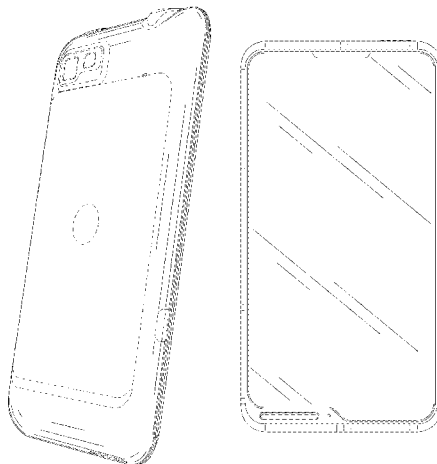
(57) **CLAIM**

The ornamental design for a communication device, as shown and described.

**DESCRIPTION**

FIG. 1 is a front perspective view of a first embodiment of an ornamental design for a communication device; FIG. 2 is a rear perspective view of the first embodiment thereof; FIG. 3 is a front view of the first embodiment thereof; FIG. 4 is a rear view of the first embodiment thereof; FIG. 5 is a first side view of the first embodiment thereof; FIG. 6 is a second side view of the first embodiment thereof; FIG. 7 is a top view of the first embodiment thereof; and FIG. 8 is a bottom view of the first embodiment thereof. FIG. 9 is a front perspective view of a second embodiment of an ornamental design for a communication device; FIG. 10 is a rear perspective view of the second embodiment thereof; FIG. 11 is a front view of the second embodiment thereof; FIG. 12 is a rear view of the second embodiment thereof; FIG. 13 is a first side view of the second embodiment thereof; FIG. 14 is a second side view of the second embodiment thereof; FIG. 15 is a top view of the second embodiment thereof; and FIG. 16 is a bottom view of the second embodiment thereof. The broken lines shown in FIGS. 1-8, that are immediately adjacent to the shaded areas, and define unshaded regions, represent the bounds of the first embodiment, while all other broken lines are directed to environment and are for illustrative purposes only; the broken lines form no part of the first embodiment.

**1 Claim, 10 Drawing Sheets**



U.S. PATENT DOCUMENTS

D615,951	S	*	5/2010	Kim et al. ....	D14/138 G
D616,465	S	*	5/2010	Jones et al. ....	D14/496
D616,871	S		6/2010	Enervold et al.	
D617,756	S		6/2010	Song et al.	
D617,793	S		6/2010	Chiang et al.	
D618,204	S		6/2010	Andre et al.	
D618,646	S		6/2010	Wykes et al.	
D618,655	S		6/2010	Sandberg	
D620,003	S	*	7/2010	Chiang et al. ....	D14/341
D620,467	S	*	7/2010	Aarras .....	D14/138 G
D622,692	S	*	8/2010	McWilliam et al. ....	D14/138 G
D622,718	S	*	8/2010	Andre et al. ....	D14/341
D626,437	S	*	11/2010	Lee et al. ....	D10/65
D627,325	S		11/2010	Zhang et al.	
7,872,861	B2	*	1/2011	Ou et al. ....	361/679.27
D635,113	S	*	3/2011	Park et al. ....	D14/138 G
D638,391	S	*	5/2011	Price et al. ....	D14/138 AD
D638,814	S	*	5/2011	Sutherland et al. ....	D14/138 G
D639,261	S		6/2011	Garnham et al.	
D639,767	S		6/2011	Finney et al.	
D640,219	S		6/2011	Sutherland et al.	
D640,220	S	*	6/2011	Shyu et al. ....	D14/138 G
D641,001	S	*	7/2011	Finney et al. ....	D14/138 G
D647,498	S	*	10/2011	Lee et al. ....	D14/138 G
D652,008	S	*	1/2012	Kim et al. ....	D14/138 G
D652,402	S	*	1/2012	Park et al. ....	D14/138 G
D653,641	S	*	2/2012	Chen .....	D14/138 G
D654,460	S	*	2/2012	Kim et al. ....	D14/138 G
D656,476	S	*	3/2012	Han .....	D14/138 G
D657,332	S	*	4/2012	Veiga et al. ....	D14/138 G
D666,981	S	*	9/2012	Kim et al. ....	D14/138 G
2010/0052660	A1		3/2010	Wang	
2010/0056232	A1		3/2010	Lim et al.	

OTHER PUBLICATIONS

Motorola Moto XT615 telephone, announced Nov. 2011, [online], [site visited Sep. 26, 2011]. Available from Internet, <URL: [http://www.gsmarena.com/motorola\\_moto\\_xt615-4348.php](http://www.gsmarena.com/motorola_moto_xt615-4348.php)>.\*

Motorola Droid XTreme telephone, discontinued, [online], [site visited Sep. 26, 2011]. Available from Internet, <URL: [http://www.gsmarena.com/motorola\\_droid\\_xtreme-3092.php](http://www.gsmarena.com/motorola_droid_xtreme-3092.php)>.\*

Motorola XT390 telephone, announced Apr. 2012, [online], [site visited Sep. 26, 2011]. Available from Internet, <URL: [http://www.gsmarena.com/motorola\\_xt390-4696.php](http://www.gsmarena.com/motorola_xt390-4696.php)>.\*

Motorola Motoluxe XT389 telephone, announced 2nd quarter 2012, [online], [site visited Sep. 26, 2011]. Available from Internet, <URL: [http://www.gsmarena.com/motorola\\_motoluxe\\_xt389-4848.php](http://www.gsmarena.com/motorola_motoluxe_xt389-4848.php)>.\*

Sony Ericsson Xperia active telephone, announced Jun. 2011, [online], [site visited Sep. 26, 2011]. Available from Internet, <URL: [http://www.gsmarena.com/sony\\_ericsson\\_xperia\\_active-3998.php](http://www.gsmarena.com/sony_ericsson_xperia_active-3998.php)>.\*

Motorola XT701 telephone, announced Dec. 2009, [online], [site visited Sep. 26, 2011]. Available from Internet, <URL: [http://www.gsmarena.com/motorola\\_xt701-3071.php](http://www.gsmarena.com/motorola_xt701-3071.php)>.\*

Micromax A85 telephone, announced 3r quarter 2011, [online], [site visited Sep. 26, 2011]. Available from Internet, <URL: [http://www.gsmarena.com/micromax\\_a85-4146.php](http://www.gsmarena.com/micromax_a85-4146.php)>.\*

Samsung Vibrant telephone, announced Jun. 2010, [online], [site visited Dec. 7, 2011]. Available from Internet, <URL: <http://www.phonescoop.com>>.

LG GT550 Encore telephone, announced Feb. 2010, [online], [site visited Dec. 7, 2011]. Available from Internet, <URL: <http://www.phonescoop.com>>.

HTC Smart telephone, announced Feb. 2010, [online], [site visited Dec. 7, 2011]. Available from Internet, <URL: <http://www.gsmarena.com>>.

HTC 7 Trophy telephone, announced Feb. 2010, [online], [site visited Dec. 7, 2011]. Available from Internet, <URL: <http://www.phonescoop.com>>.

Nokia C6-01 telephone, announced Sep. 2010, [online], [site visited Dec. 7, 2011]. Available from Internet, <URL: <http://www.phonescoop.com>>.

U.S. Appl. No. 29/390,661, filed Apr. 28, 2011, in the name of Daniel Mota Veiga, entitled "Communication Device".

Apple iPhone telephone, announced Jan. 2007, [online], [site visited Dec. 7, 2011]. Available from Internet, <URL: <http://www.phonescoop.com>>.

\* cited by examiner

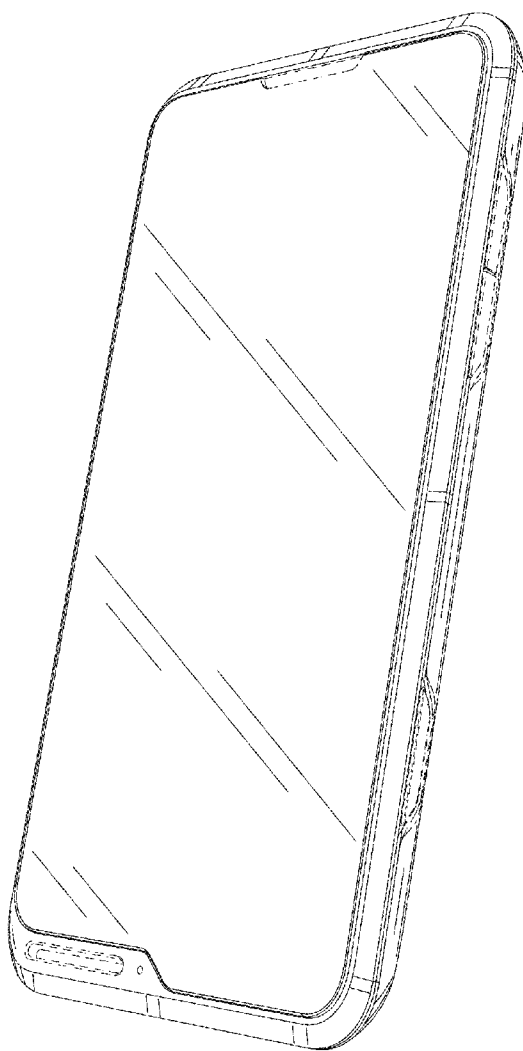


FIG. 1

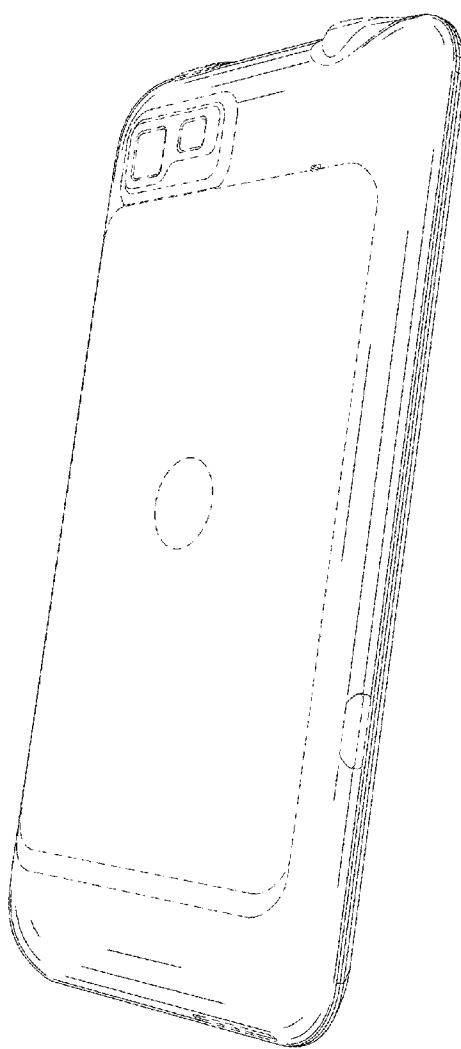


FIG. 2

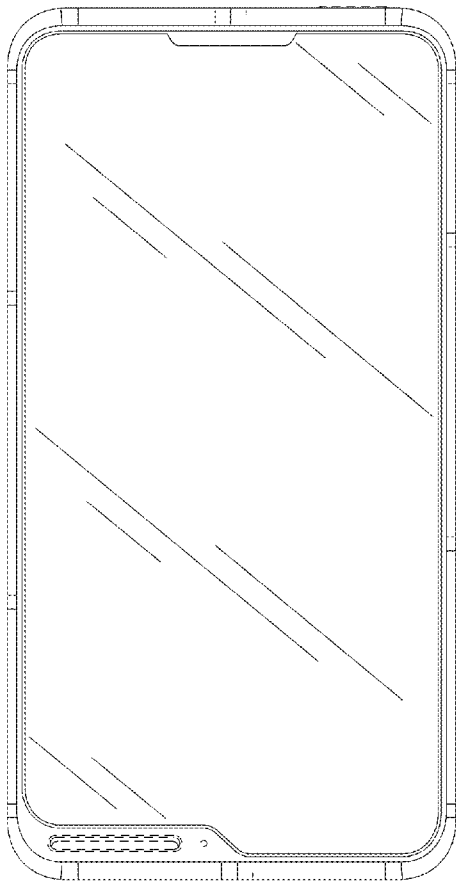


FIG. 3

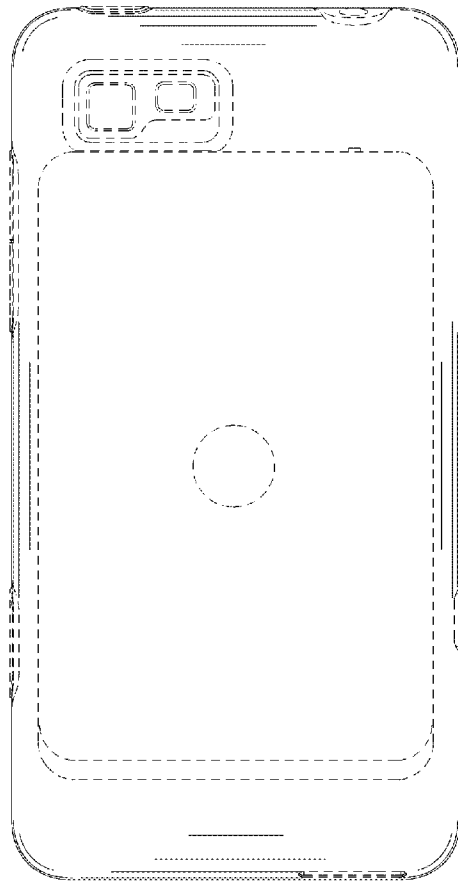


FIG. 4

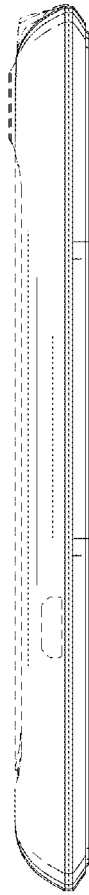


FIG. 5

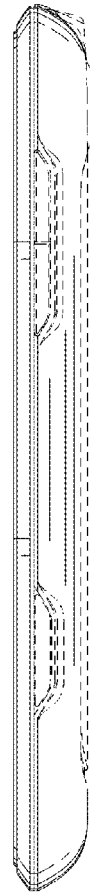


FIG. 6

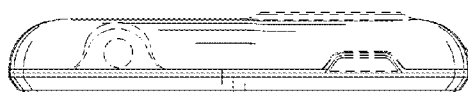


FIG. 7

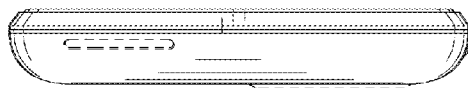


FIG. 8

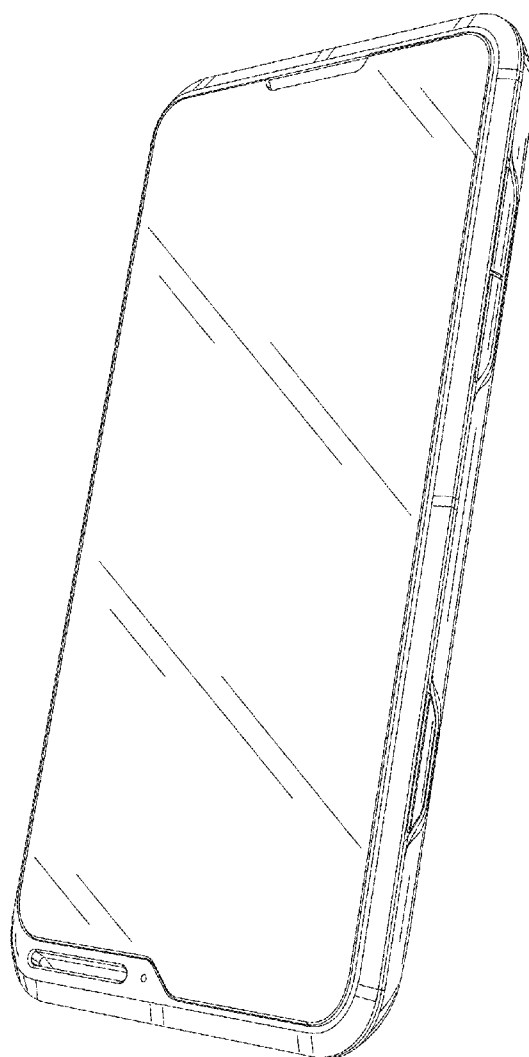


FIG. 9



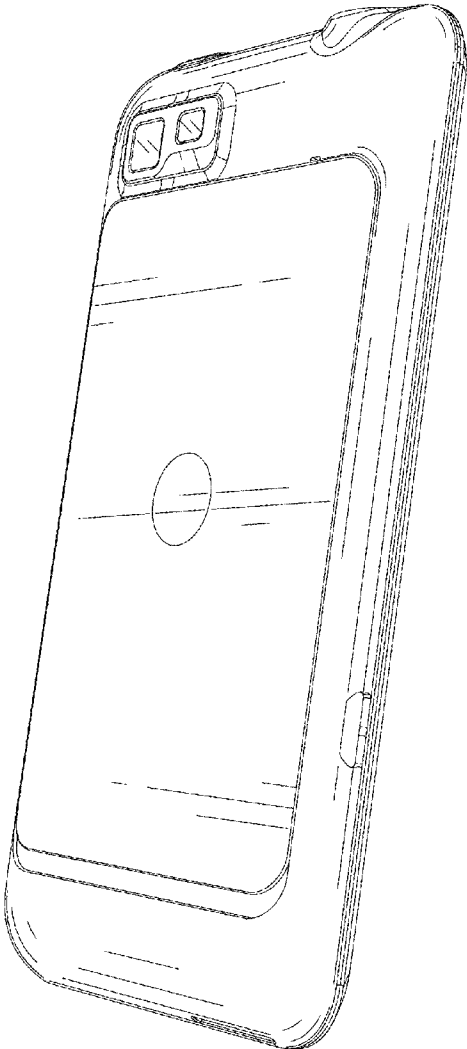


FIG. 10

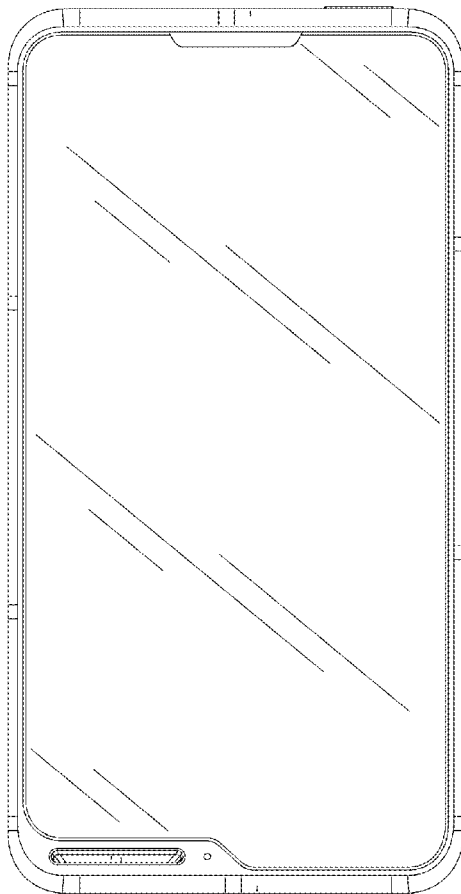


FIG. 11

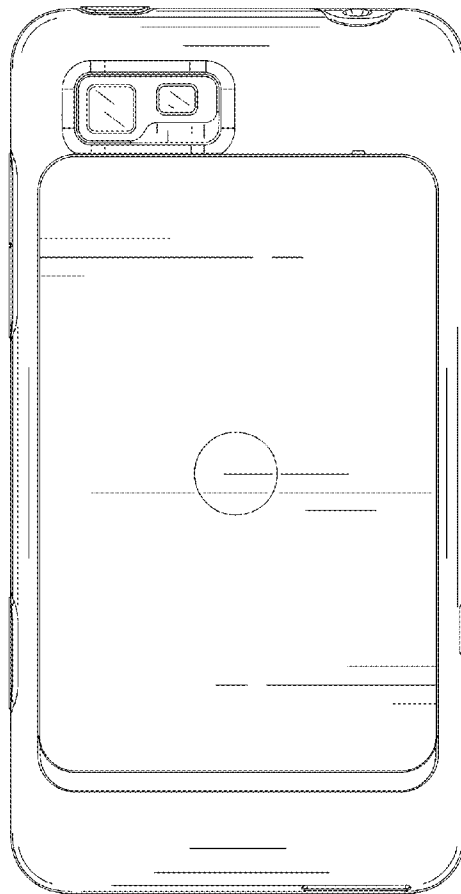


FIG. 12

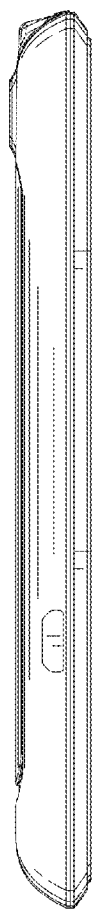


FIG. 13

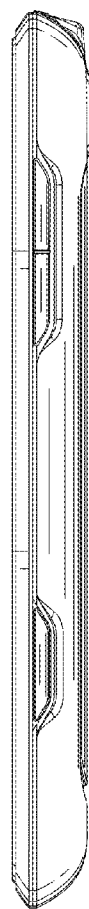


FIG. 14

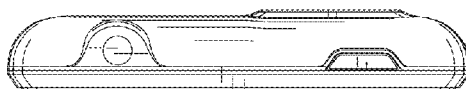


FIG. 15

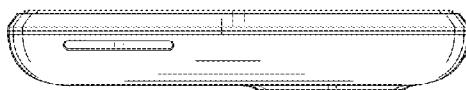


FIG. 16