



US00D349645S

United States Patent [19]

[11] Patent Number: Des. 349,645

van Loo

[45] Date of Patent: ** Aug. 16, 1994

[54] **CARTON WITH A SLIDING LID**

[75] Inventor: **Brino A. van Loo**, Sassenheim,
Netherlands

[73] Assignee: **Stadium Design B.V.**, Hillegom,
Netherlands

1,951,274 3/1934 Denman 229/220 X
 3,110,436 11/1963 Wagner 229/125.12 X
 3,695,505 10/1972 Wolf 29/120 X
 4,094,456 6/1978 Raccaforte 229/125.12 X

[**] Term: **14 Years**

[21] Appl. No.: **3,900**

[22] Filed: **Jan. 21, 1993**

FOREIGN PATENT DOCUMENTS

0027162 of 1909 United Kingdom 229/125.12
 0356800 9/1931 United Kingdom 229/125.12

[30] **Foreign Application Priority Data**

Jul. 20, 1992 [XB] Benelux 22706-03

[52] U.S. Cl. **D9/422**; D9/418;
D9/432

[58] **Field of Search** D9/418, 432, 433, 423,
D9/424, 346, 422; 206/45.31, 45.34, 44 R,
45.15; 229/162, 220, 125.12, 121, 122.2

Primary Examiner—Prabhakar G. Deshmukh
Attorney, Agent, or Firm—Foley & Lardner

[57] CLAIM

The ornamental design of a carton with a sliding lid, as shown and described.

DESCRIPTION

FIG. 1 is a perspective view of a carton with a sliding lid showing my new design;
 FIG. 2 is a top plan view thereof with the lid closed;
 FIG. 3 is a top plan view thereof with the lid open;
 FIG. 4 is a side elevational view thereof, the opposite side being a mirror image thereof;
 FIG. 5 is a front elevational view thereof, the rear being a mirror image thereof; and,
 FIG. 6 is a bottom plan view thereof.

[56] **References Cited**

U.S. PATENT DOCUMENTS

D. 276,964 1/1985 Boland, II D9/341 X
 D. 304,739 11/1989 Ukieu D9/422 X
 D. 320,557 10/1991 Schuster D9/418

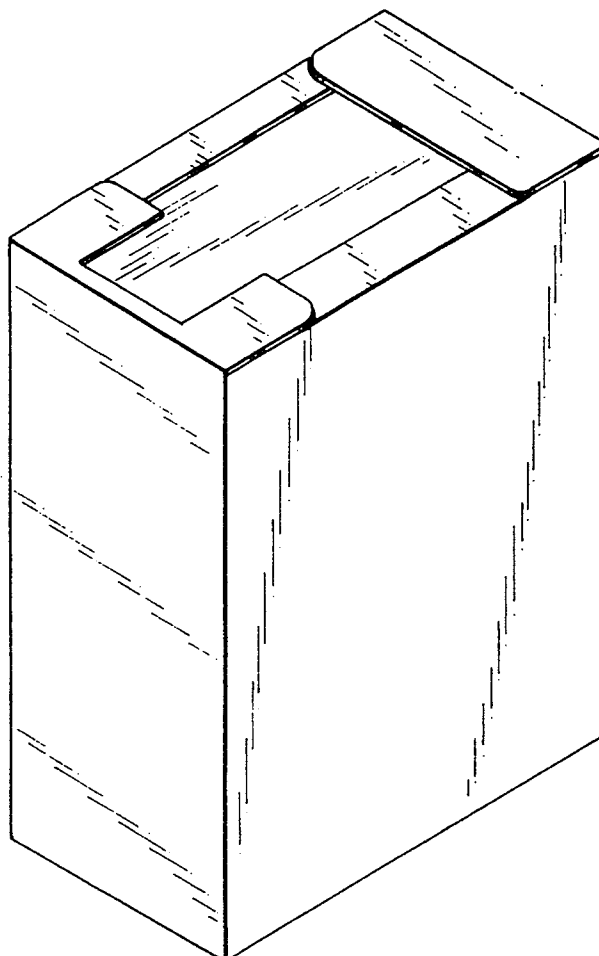


FIG. 1

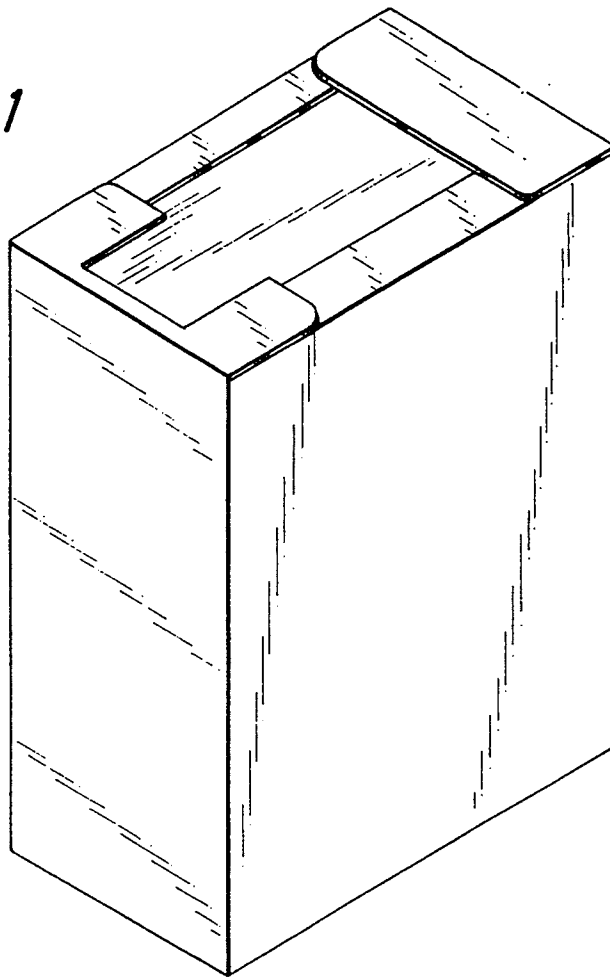


FIG. 2

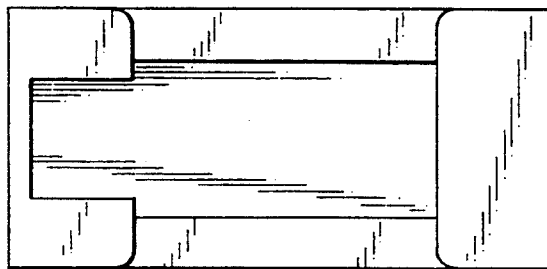


FIG. 3

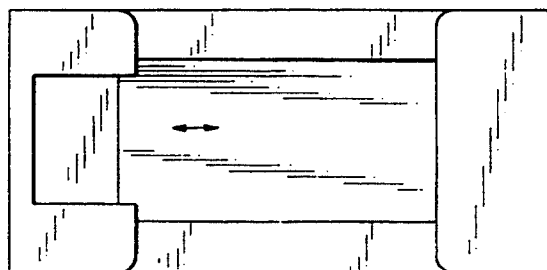


FIG. 4

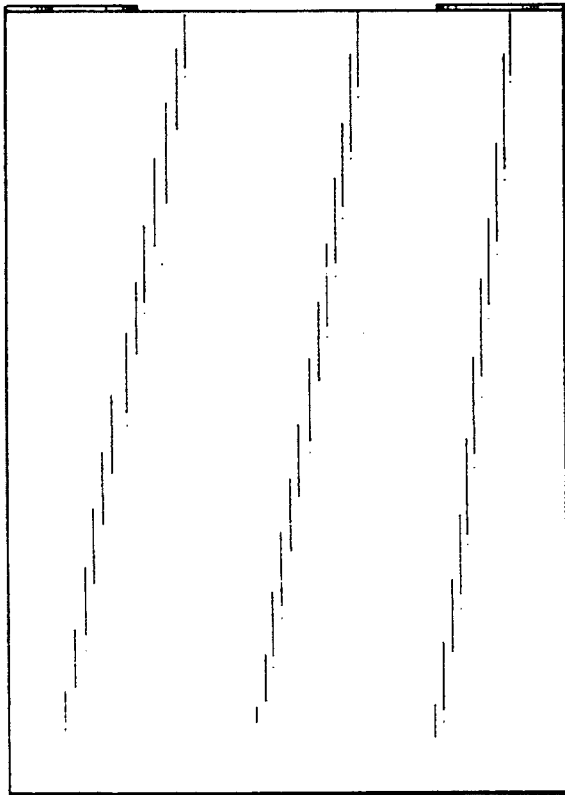


FIG. 5

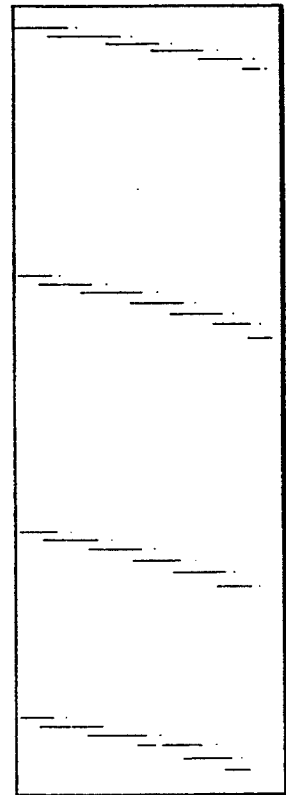


FIG. 6

