



US00D543777S

(12) **United States Design Patent**
Seum et al.

(10) **Patent No.:** **US D543,777 S**

(45) **Date of Patent:** **** Jun. 5, 2007**

(54) **BEVERAGE CONTAINER**

(75) Inventors: **Michael Thomas Seum**, Cincinnati, OH (US); **Dale Steven Arand**, West Chester, OH (US); **Richard Michael Girardot**, West Chester, OH (US); **Tammy Jo Smith**, Lebanon, OH (US)

(73) Assignee: **The Procter & Gamble Company**, Cincinnati, OH (US)

(**) Term: **14 Years**

(21) Appl. No.: **29/266,748**

(22) Filed: **Sep. 27, 2006**

(51) **LOC (8) Cl.** **07-02**

(52) **U.S. Cl.** **D7/392.1**

(58) **Field of Classification Search** D7/316-319, D7/391-392.1, 396.2, 510-511, 629; D9/435, D9/440, 444, 447, 449-450, 454, 503-504; 215/211, 200, 224, 243; 220/700, 701, 703, 220/711, 713-715, 719

See application file for complete search history.

(56) **References Cited**

U.S. PATENT DOCUMENTS

- D287,919 S * 1/1987 Clements D7/392.1
- 5,624,053 A * 4/1997 Freek et al. 220/713
- D402,556 S * 12/1998 Frye D9/447
- D415,651 S * 10/1999 Trombly D7/392.1

- D417,845 S * 12/1999 Sadlier et al. D9/447
- D418,363 S * 1/2000 Barnes et al. D7/392
- D474,068 S * 5/2003 Fujii et al. D7/392.1
- D485,758 S * 1/2004 Clarke et al. D9/447
- D525,826 S * 8/2006 Kugler D7/392.1

* cited by examiner

Primary Examiner—Holly H. Baynham

Assistant Examiner—Cynthia M. Chin

(74) *Attorney, Agent, or Firm*—Ingrid N. Hachett; Kim W. Zerby

(57) **CLAIM**

The ornamental design for a beverage container, as shown and described.

DESCRIPTION

FIG. 1 is a perspective view of the beverage container, embodying the new design;

FIG. 2 is a front view thereof;

FIG. 3 is a back view thereof;

FIG. 4 is a left view thereof;

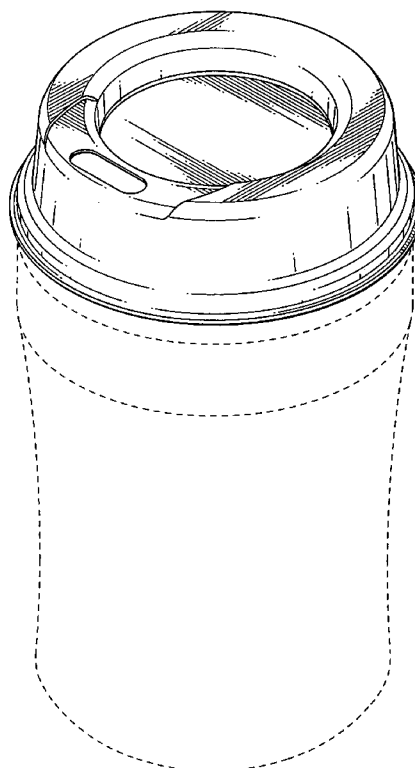
FIG. 5 is a right view thereof;

FIG. 6 is a top view thereof; and,

FIG. 7 is a bottom view thereof.

The broken lines shown in the drawings are for illustrative purposes only and form no part of the claimed design.

1 Claim, 6 Drawing Sheets



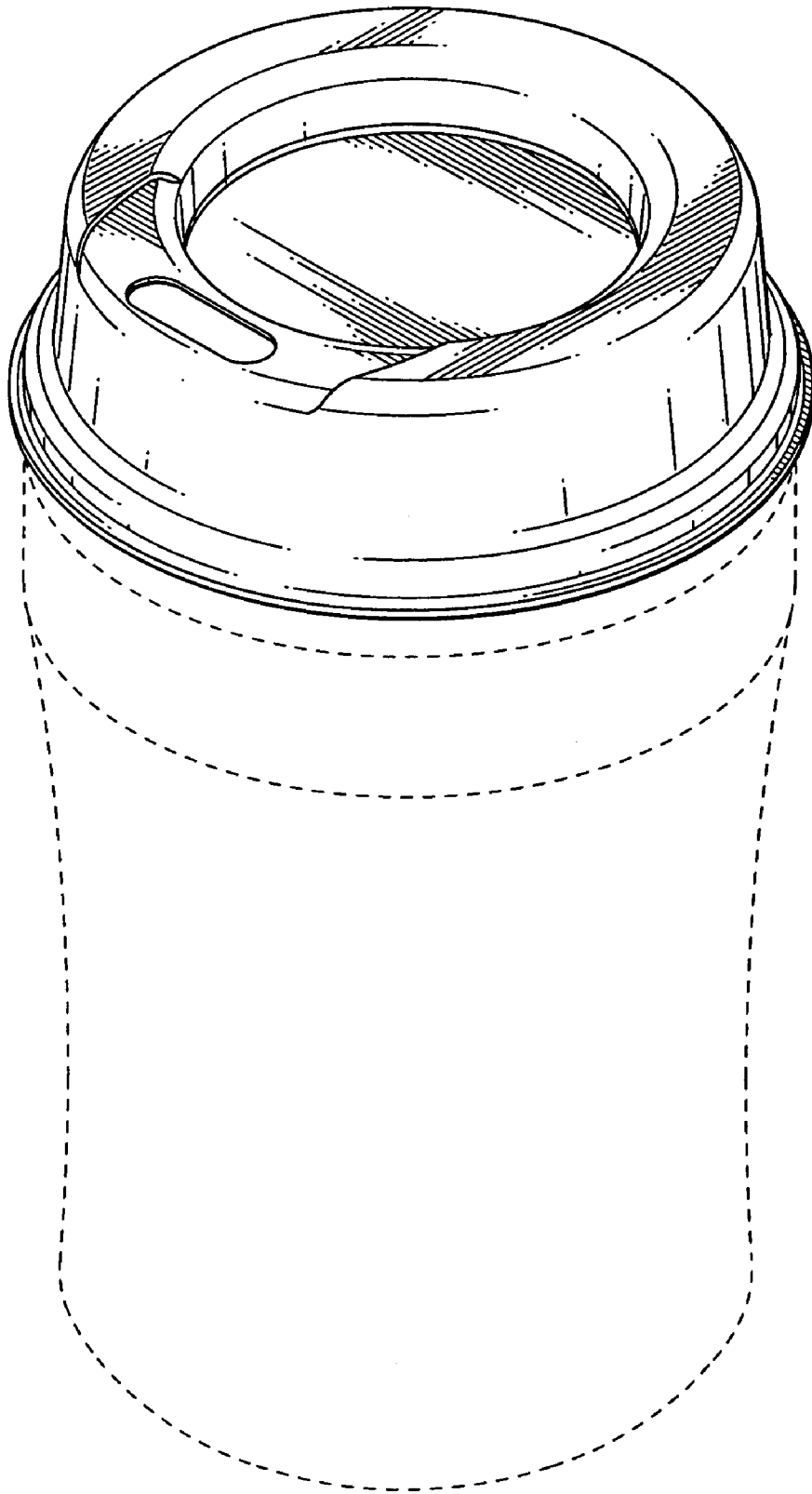


FIG. 1

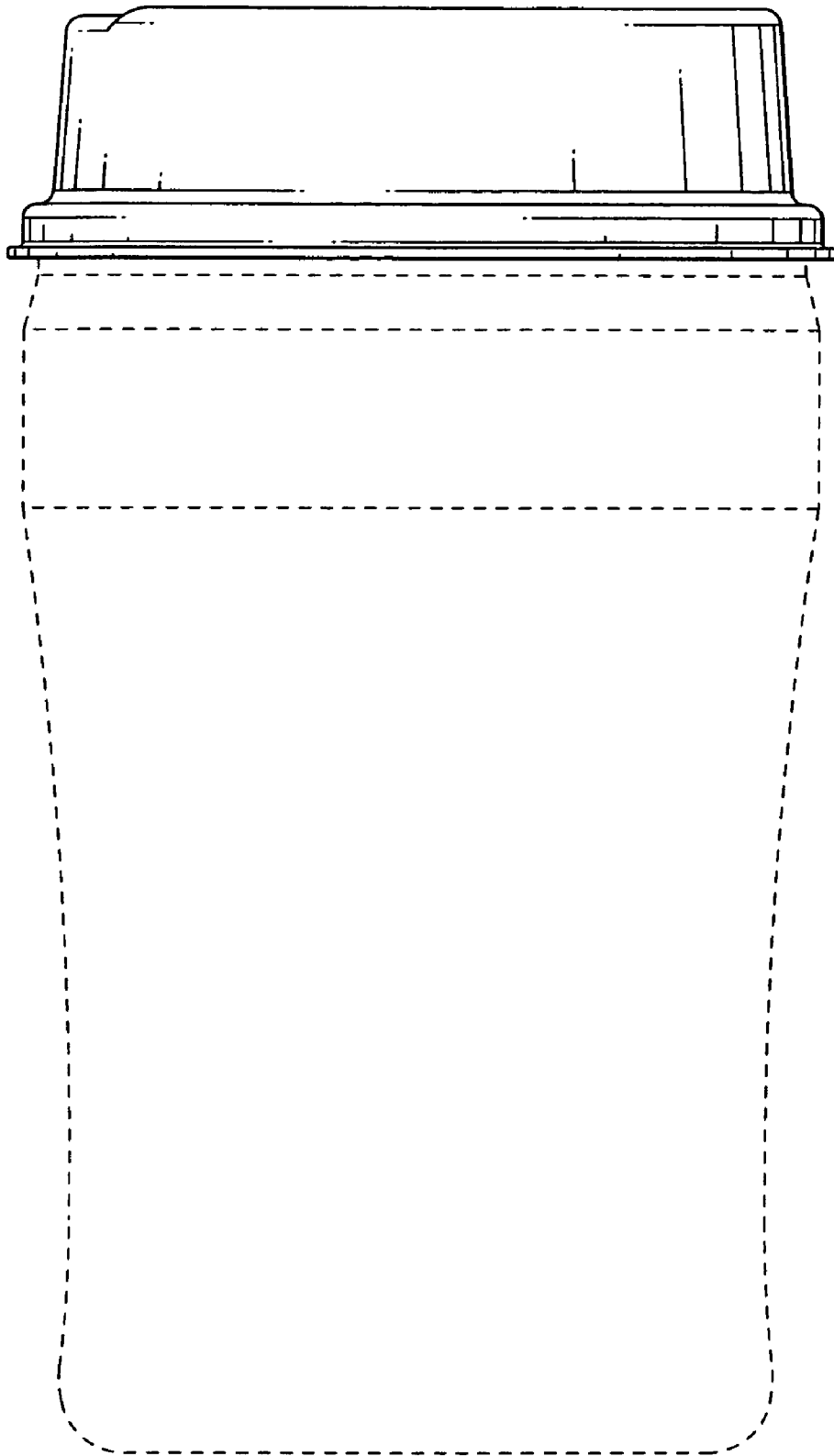


FIG. 2

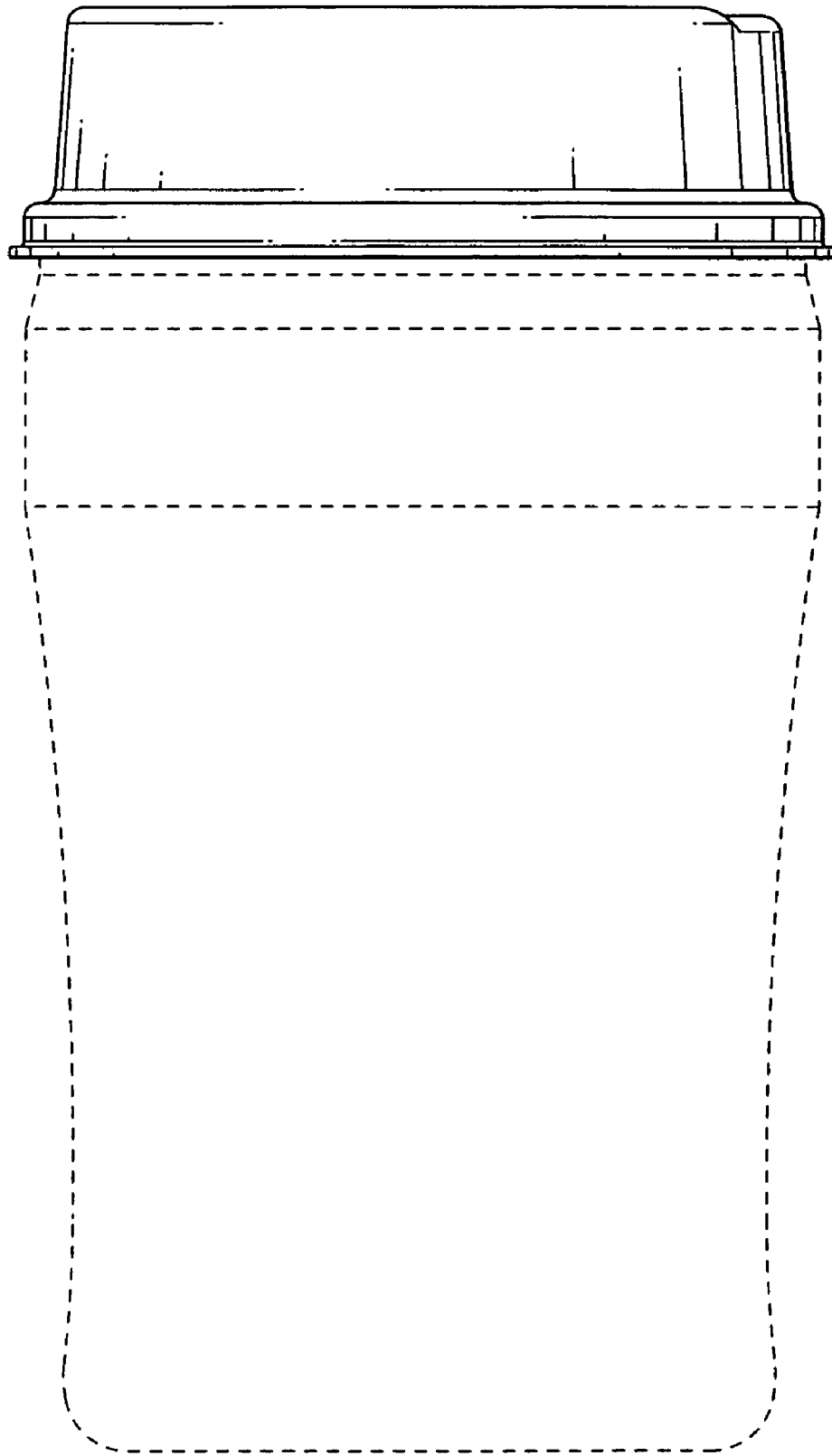


FIG. 3

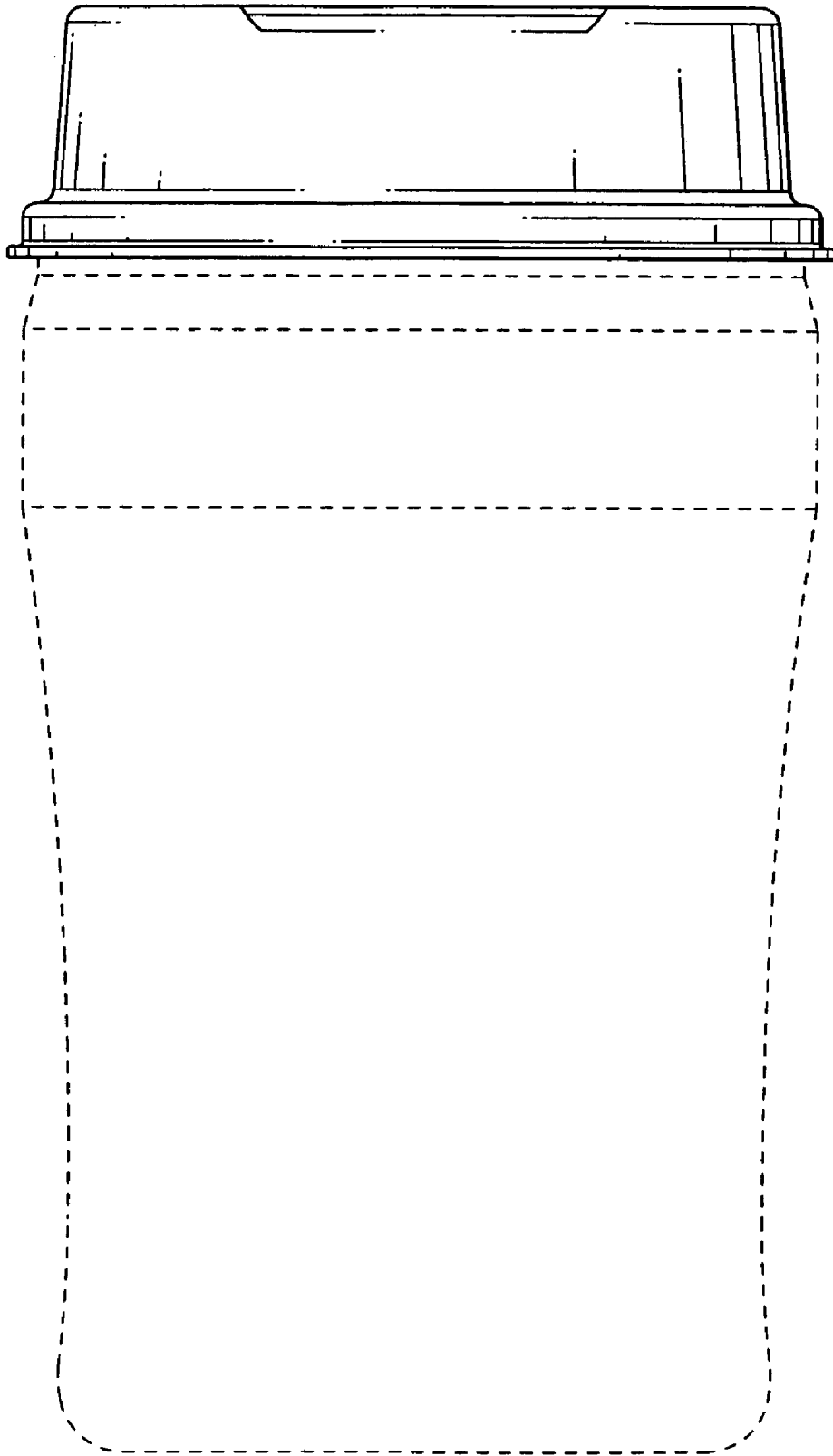


FIG. 4

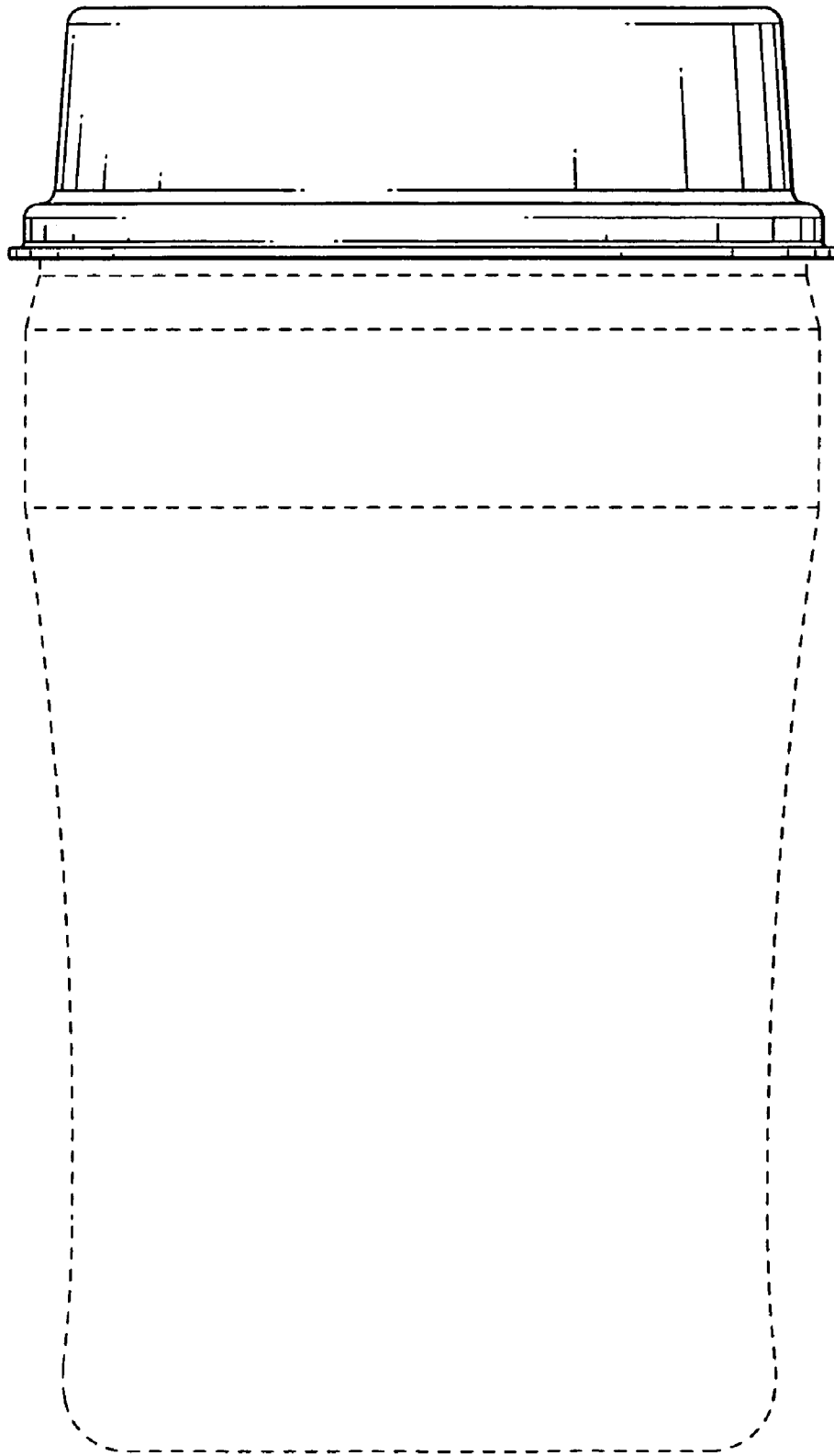


FIG. 5

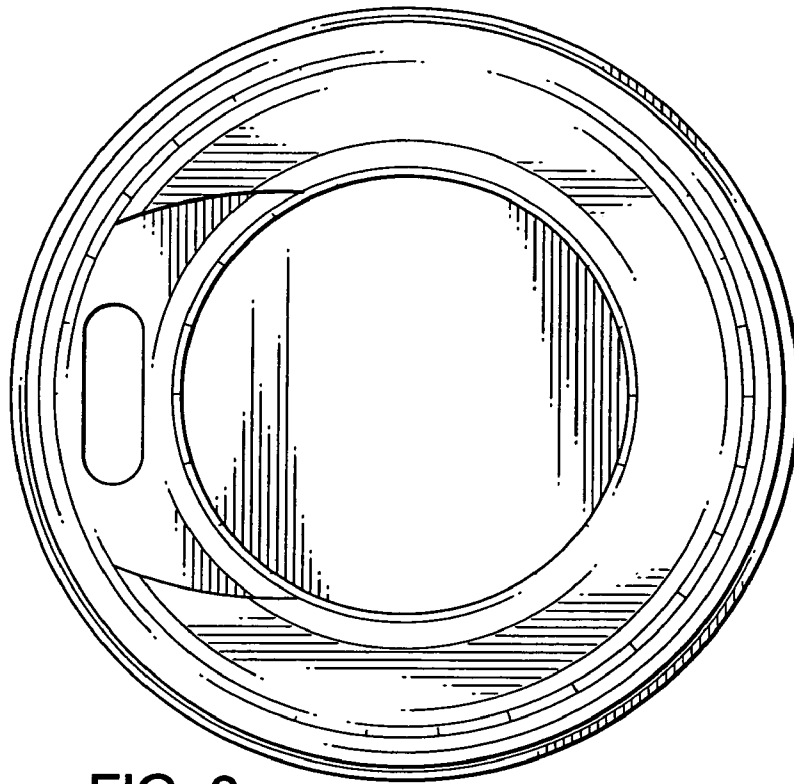


FIG. 6

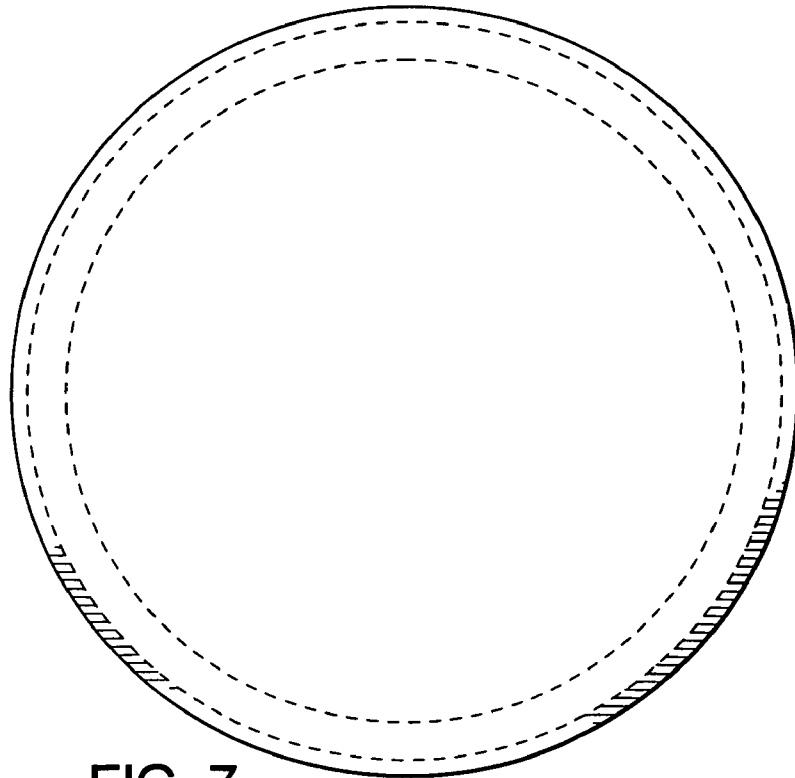


FIG. 7