



(12) **United States Design Patent**
Schulz et al.

(10) **Patent No.:** **US D999,652 S**
(45) **Date of Patent:** **** Sep. 26, 2023**

(54) **PERSONAL TRACKING DEVICE AND STRAP**

(71) Applicant: **Iowise Technologies, Inc.**, Austin, TX (US)

(72) Inventors: **Douglas Schulz**, Beaumont, TX (US);
Thomas Stith, Houston, TX (US)

(73) Assignee: **Iowise Technologies, Inc.**, Austin, TX (US)

(**) Term: **15 Years**

(21) Appl. No.: **29/792,035**

(22) Filed: **Feb. 28, 2022**

(51) **LOC (14) Cl.** **10-04**

(52) **U.S. Cl.**

USPC **D10/70; D24/186**

(58) **Field of Classification Search**

USPC D10/30, 32, 38, 39, 70, 104.2, 128, 132;
D11/3, 91; D14/344, 440; D24/167,
D24/186; D29/120.1, 121.2; D30/152,
D30/199

CPC H04L 67/12; H04L 67/02; H04W 4/029;
H04W 4/14; G08B 27/005; G08B 25/10;
G08B 21/0446; G08B 21/0423; H02J
7/0048; Y02D 30/70; A61B 5/11; A61B
2562/0219; A61B 5/0002; A61B 5/681;
A61B 5/02438; A63B 2220/836; G01C
22/006

See application file for complete search history.

(56) **References Cited**

U.S. PATENT DOCUMENTS

5,610,386 A * 3/1997 Ball G06K 7/10891
235/462.44
5,810,736 A * 9/1998 Pail A61B 5/02438
600/480
D411,179 S * 6/1999 Toyosato D14/344

5,923,255 A * 7/1999 Vahdatshoar G08B 21/0288
340/573.4
7,140,546 B1 * 11/2006 Terlizzi G06K 7/1098
235/472.01
7,534,206 B1 * 5/2009 Lovitt A61B 5/1112
600/300
D694,658 S * 12/2013 Avidor D10/70
D724,971 S * 3/2015 Bailey D10/70

(Continued)

Primary Examiner — George D. Kirschbaum

Assistant Examiner — Lillian Windham

(74) *Attorney, Agent, or Firm* — Matthew J Booth PC;
Matthew J Booth

(57) **CLAIM**

The ornamental design for a personal tracking device and strap, as shown and described.

DESCRIPTION

FIG. 1 is a top, left, front perspective view of the personal tracking device and strap.

FIG. 2 is a front view of the personal tracking device and strap.

FIG. 3 is a back view of the personal tracking device and strap.

FIG. 4 is a top view of the personal tracking device and strap.

FIG. 5 is a bottom view of the personal tracking device and strap.

FIG. 6 is a left view of the personal tracking device and strap.

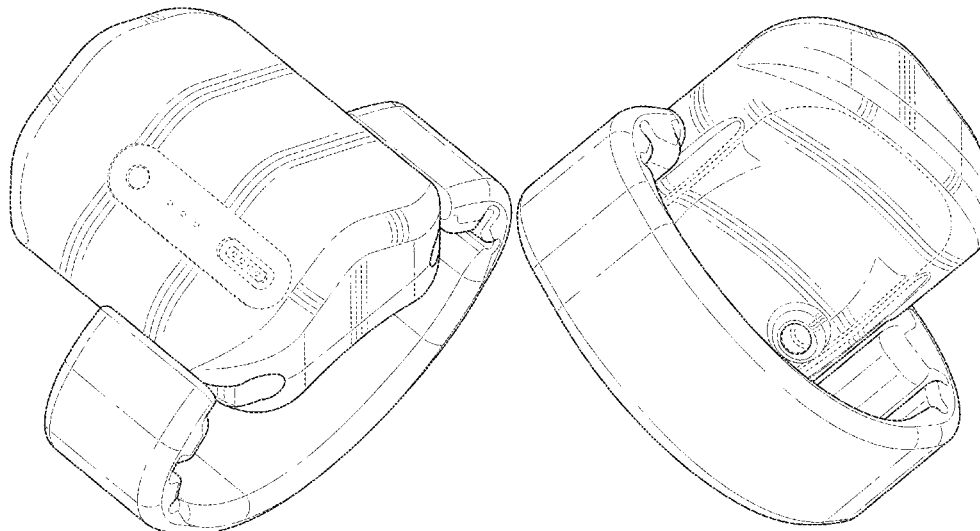
FIG. 7 is a right view of the personal tracking device and strap; and,

FIG. 8 is a bottom, right, back perspective view of the personal tracking device and strap.

The dashed lines are included for the purpose of illustrating portions of the personal tracking device and strap and forms no part of the claimed design.

Sides not shown are either not seen in use or do not bear ornamental features.

1 Claim, 8 Drawing Sheets



(56)

References Cited

U.S. PATENT DOCUMENTS

D725,512	S *	3/2015	Read	D10/70
D726,567	S *	4/2015	De Jong	D10/70
D779,347	S *	2/2017	Zampini, II	D10/70
D799,353	S *	10/2017	Qu	D10/104.2
D801,346	S *	10/2017	Oberpriller	D14/344
D804,042	S *	11/2017	Cohrs	D24/186
D813,864	S *	3/2018	Ham	D14/344
D823,311	S *	7/2018	Oberpriller	D14/344
D935,113	S *	11/2021	Bocknek	D30/152
2002/0019592	A1 *	2/2002	Mori	A61B 5/02141 600/490
2004/0010199	A1 *	1/2004	Hashimoto	A61B 5/02444 600/502
2005/0068169	A1 *	3/2005	Copley	G08B 29/046 340/568.1
2008/0054039	A1 *	3/2008	Wulff	A44C 5/0092 224/267
2010/0160834	A1 *	6/2010	Fong	A61H 1/0274 600/595
2014/0221797	A1 *	8/2014	Bailey	A61B 5/0205 600/595
2019/0191575	A1 *	6/2019	Lavergne	H05K 5/0217
2022/0068104	A1	3/2022	Wilson		
2022/0068106	A1	3/2022	Fregia et al.		

* cited by examiner

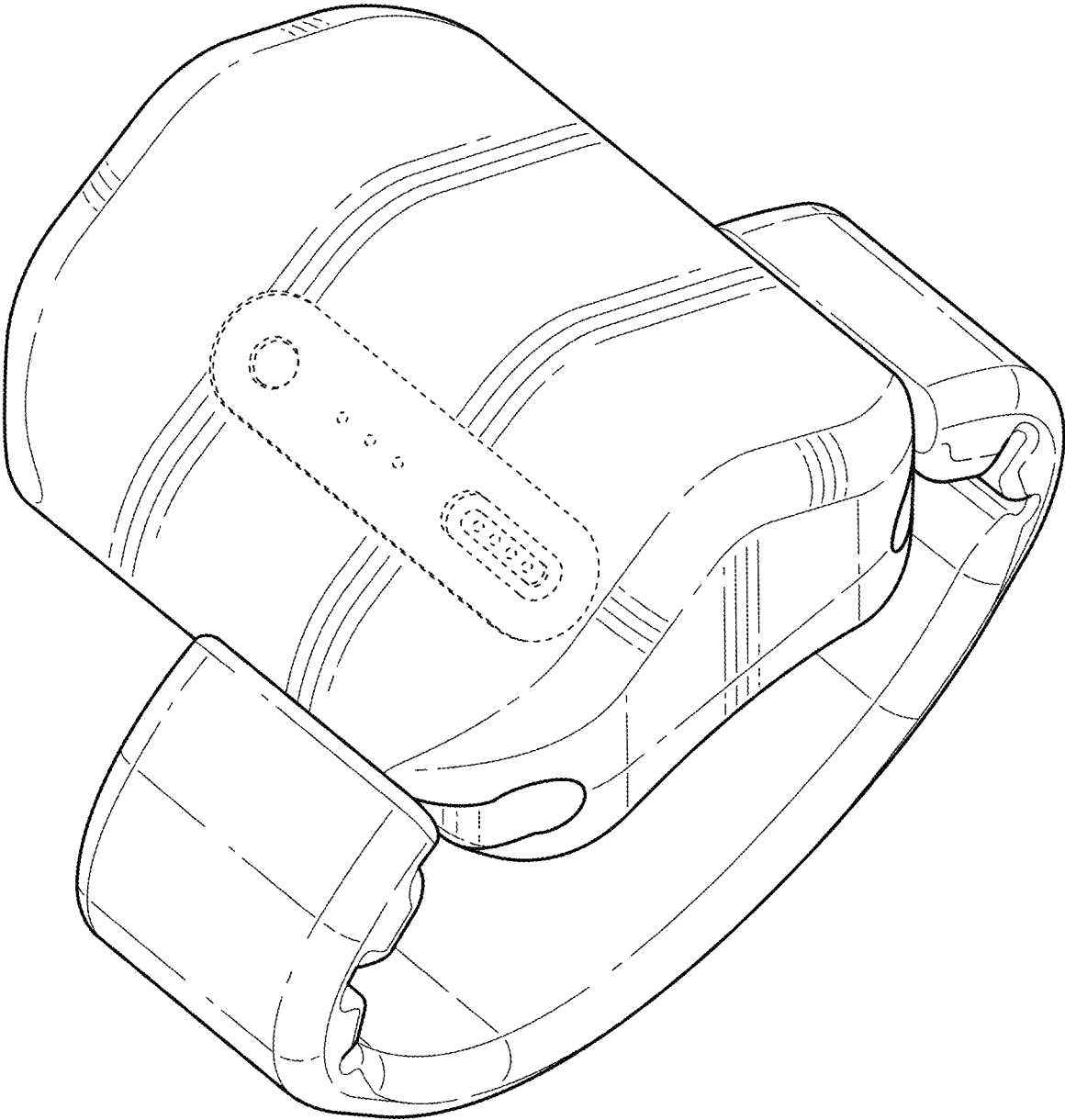


FIG. 1

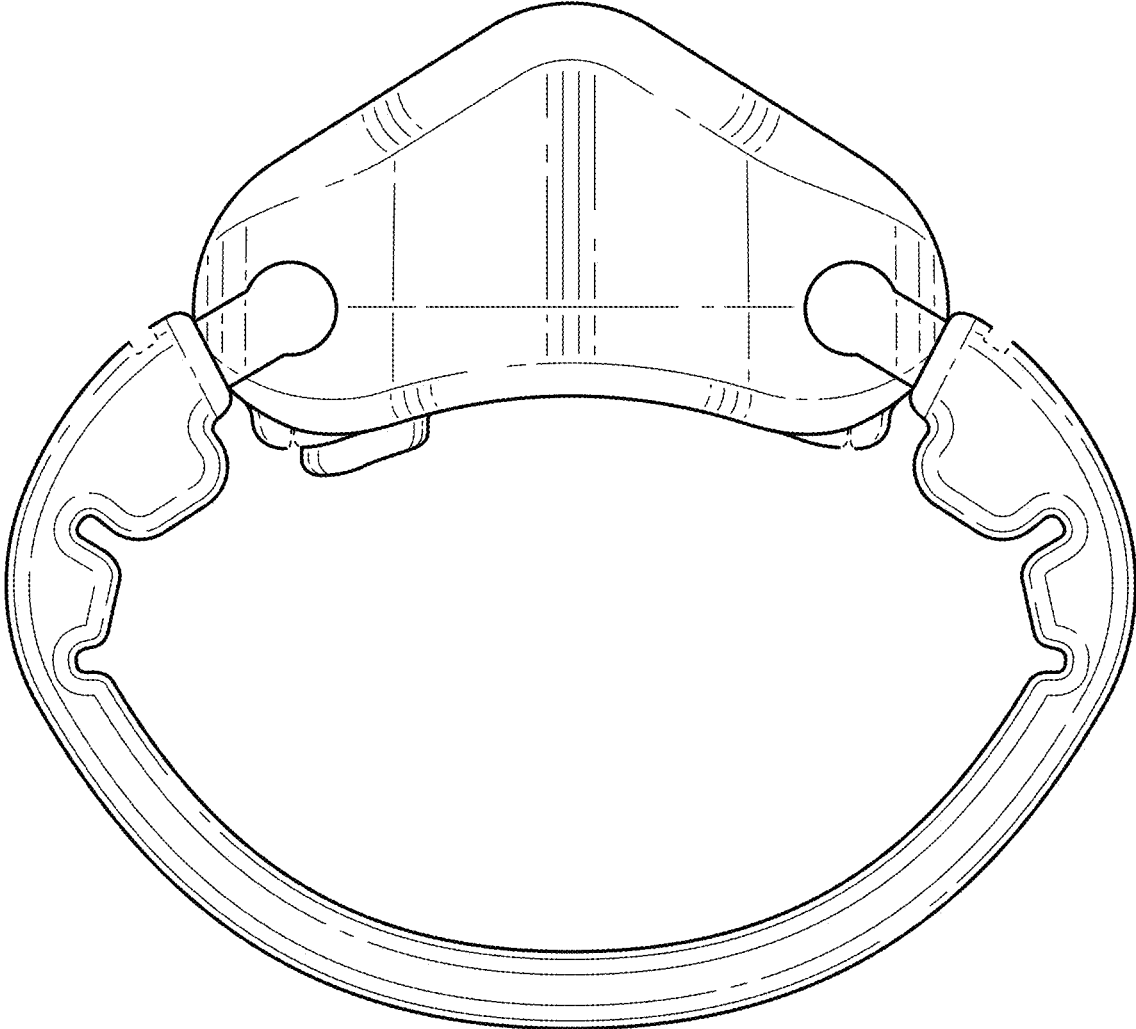


FIG. 2

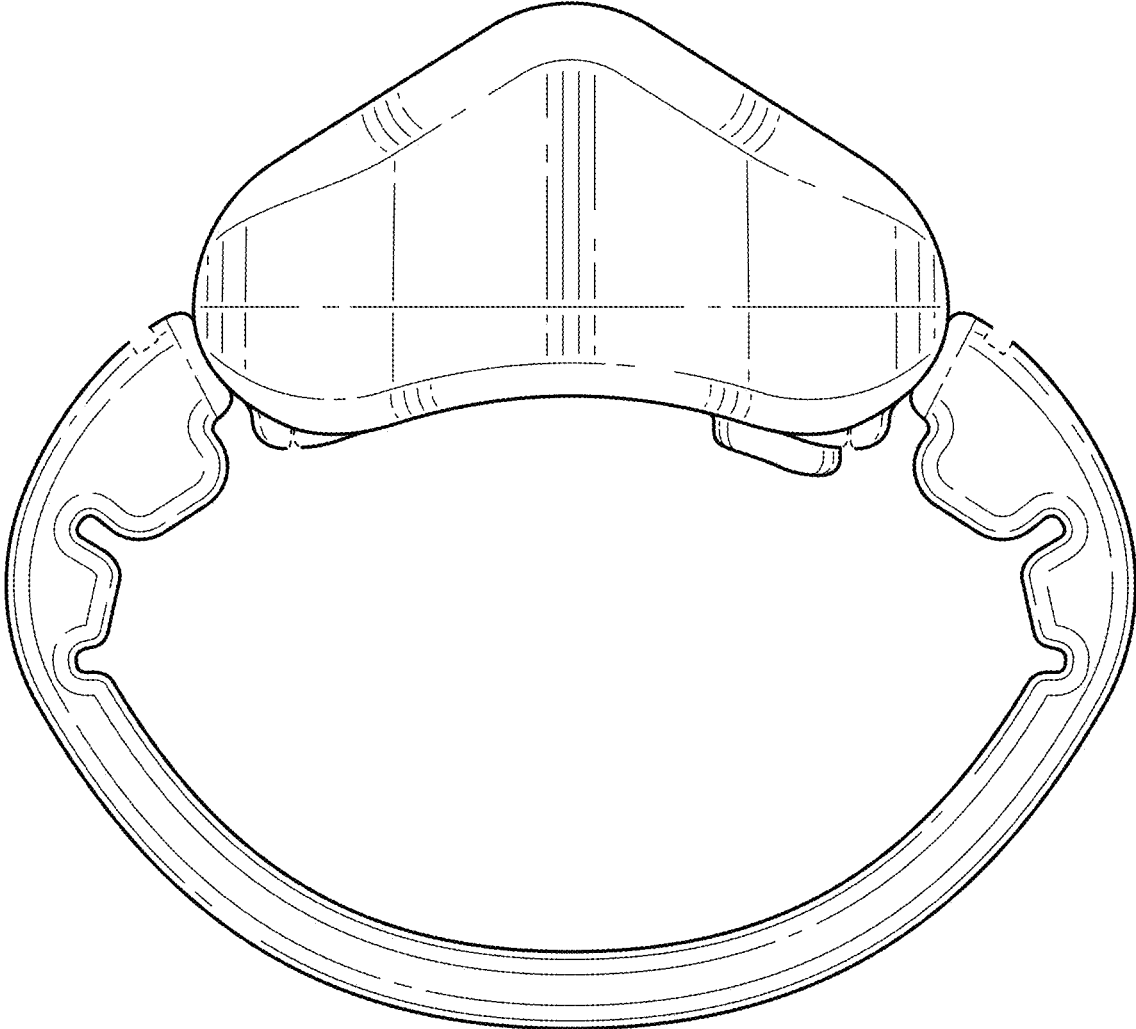


FIG. 3

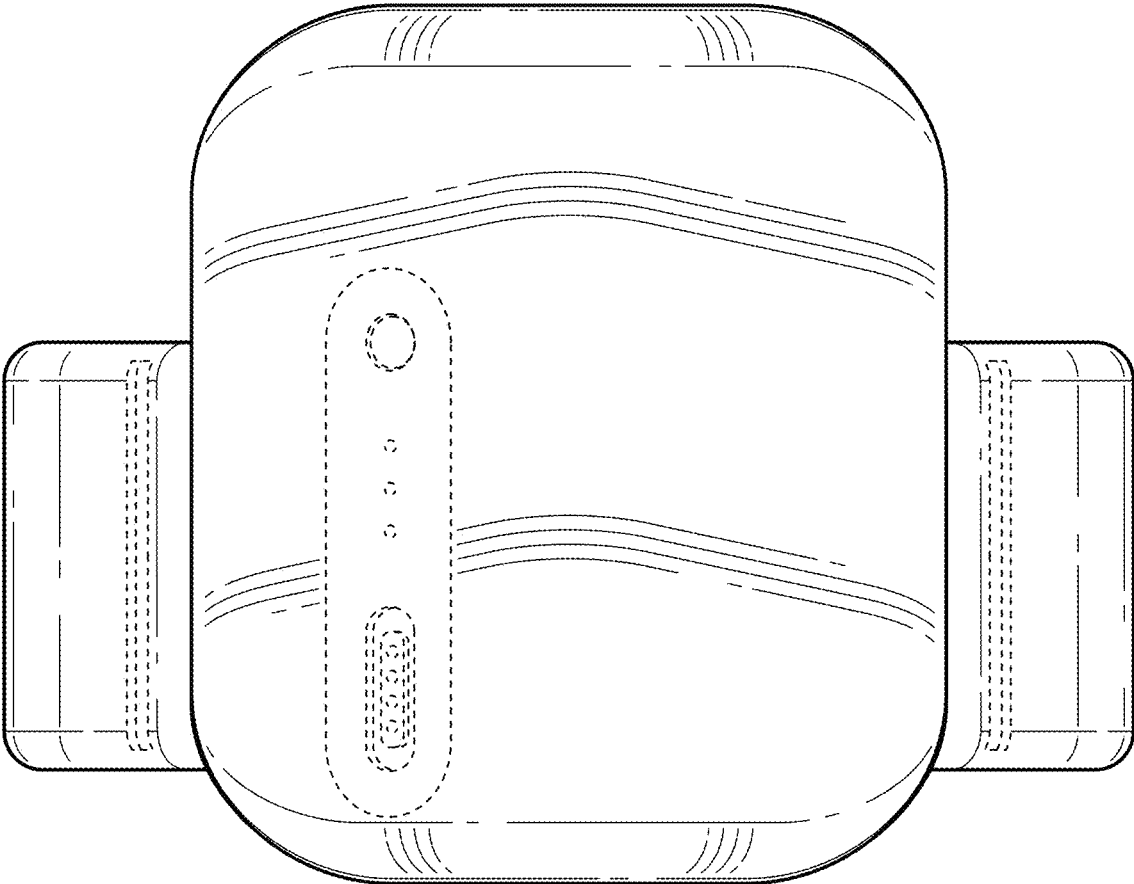


FIG. 4

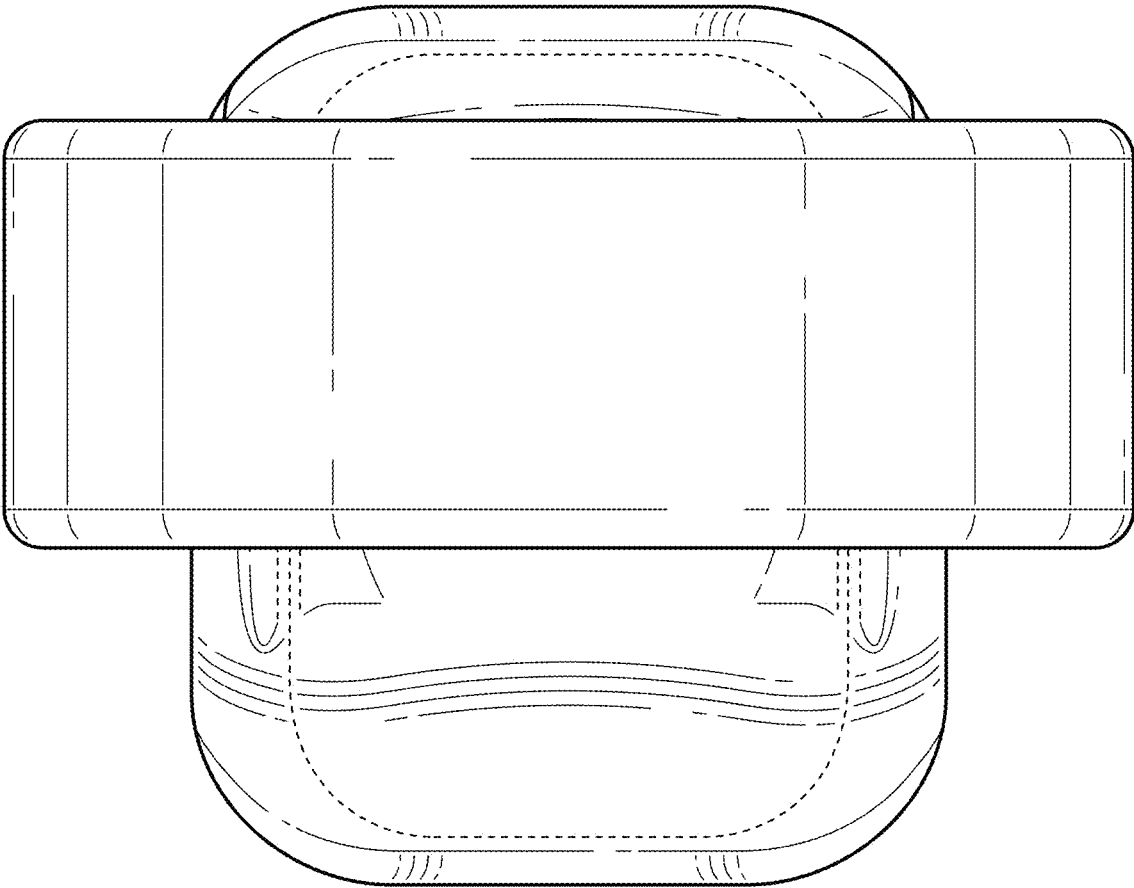


FIG. 5

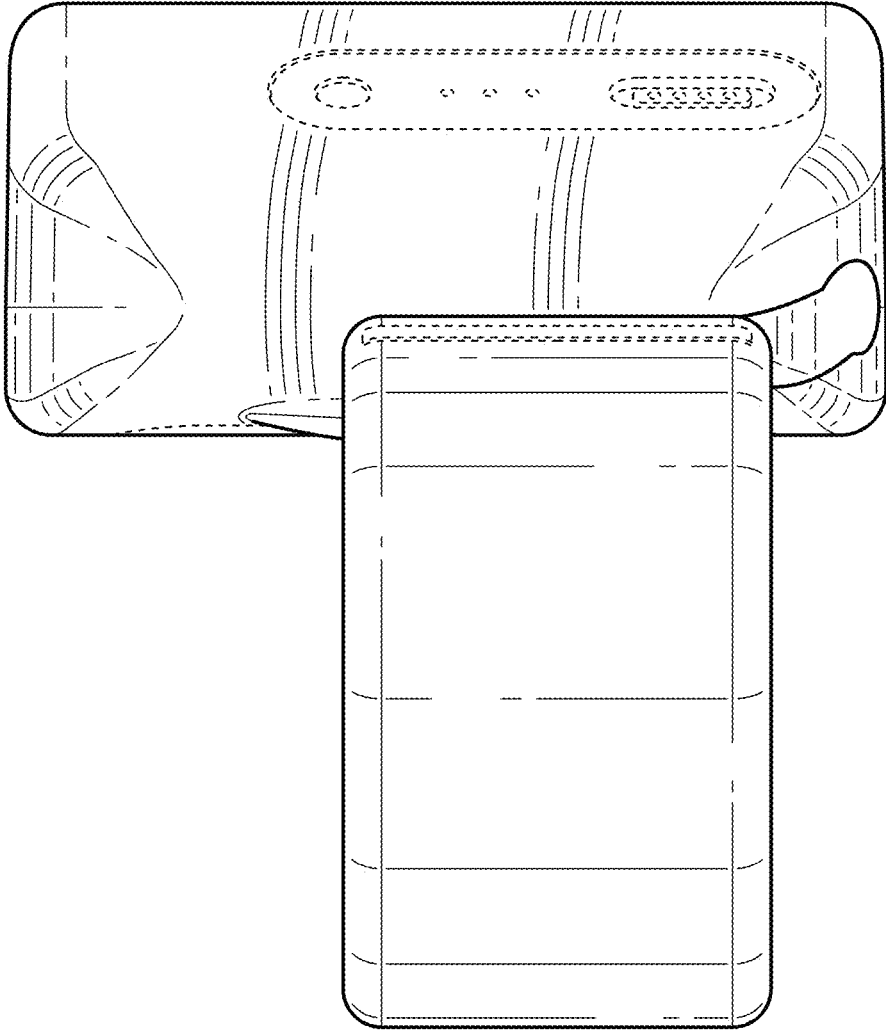


FIG. 6

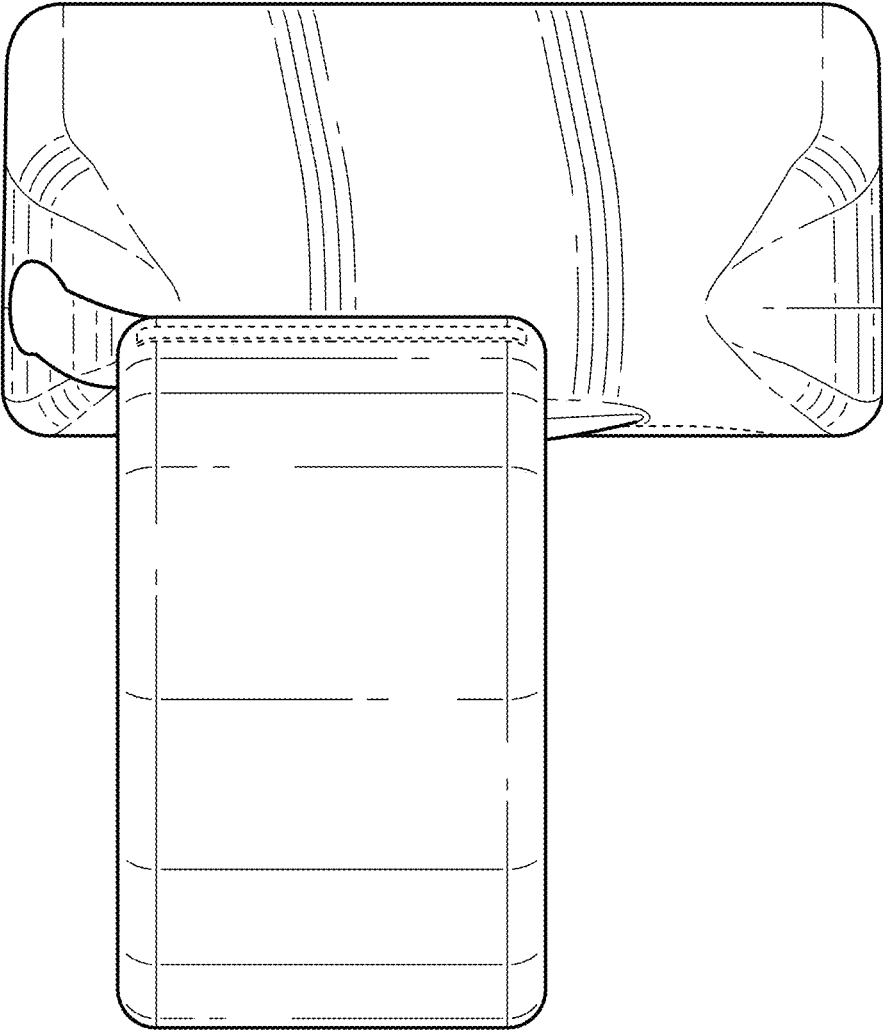


FIG. 7

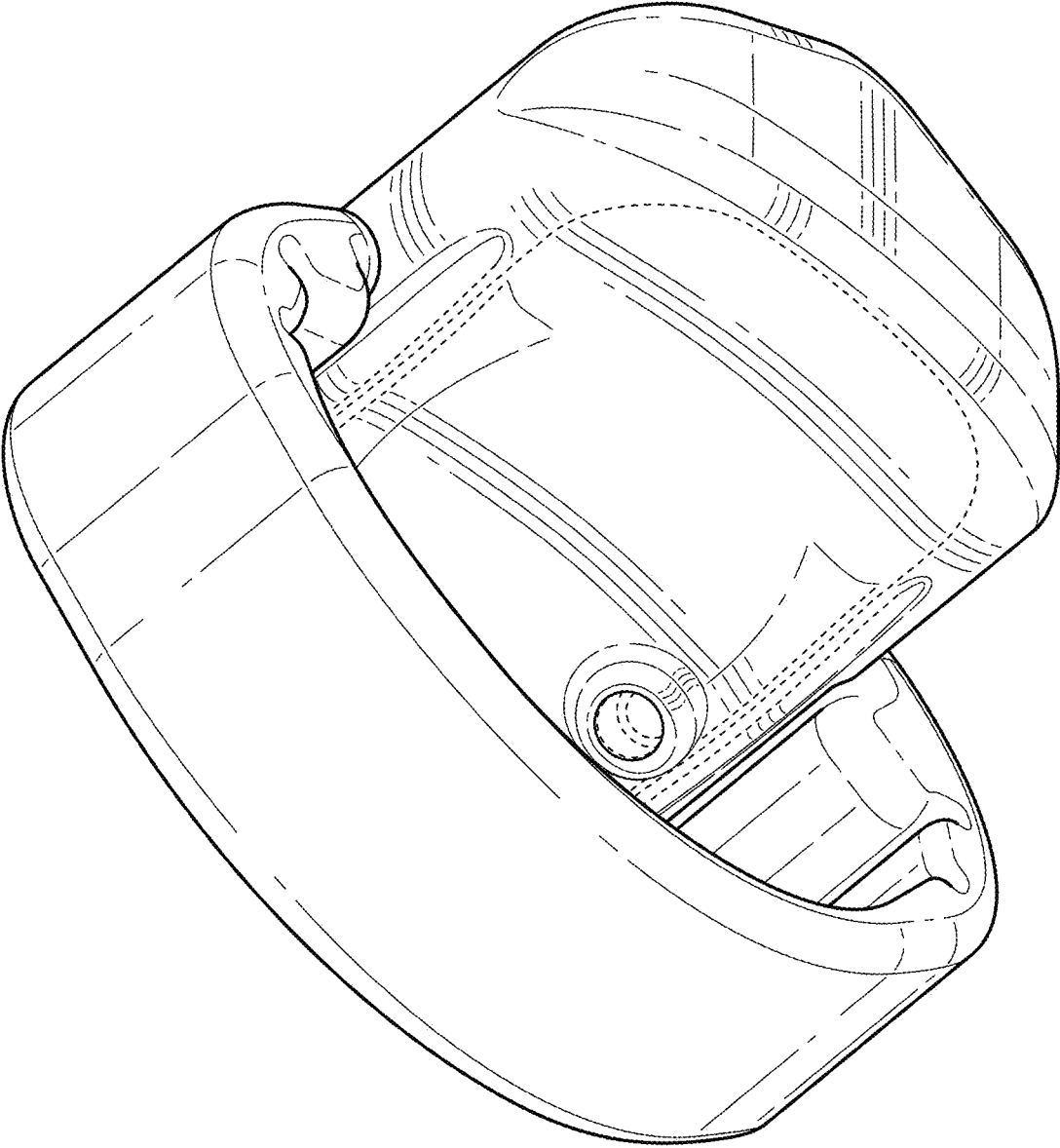


FIG. 8