



US00D872575S

(12) **United States Design Patent**
Tebbs

(10) **Patent No.:** **US D872,575 S**

(45) **Date of Patent:** **** Jan. 14, 2020**

- (54) **BOTTLE CAP**
- (71) Applicant: **Karen Tebbs**, Orem, UT (US)
- (72) Inventor: **Karen Tebbs**, Orem, UT (US)
- (**) Term: **15 Years**
- (21) Appl. No.: **29/637,957**
- (22) Filed: **Feb. 23, 2018**
- (51) **LOC (12) Cl.** **09-06**
- (52) **U.S. Cl.**
USPC **D9/446**
- (58) **Field of Classification Search**
USPC D9/414, 416, 425, 434, 435, 436, 438,
D9/439, 440, 442, 443, 446-450,
D9/452-457, 499, 503-505, 682, 685,
D9/686; D7/387, 391, 392, 392.1, 393,
D7/394, 396.1-396.4, 401.1, 503-505,
D7/509-511, 538, 900; D3/201, 202,
D3/203.2, 318; D28/91, 91.1
CPC .. A61J 1/00; A61J 1/1412; B65D 1/00; B65D
1/02; B65D 1/10; B65D 1/46; B65D
2585/56; B65D 2585/545; B65D 41/00;
B65D 41/38; B65D 41/56; B65D 41/62;
B65D 47/00; B65D 47/06; B65D 47/08;
B65D 2543/00046; B65D 2543/00092;
B65D 2543/00296; B65D 5/46; B65D
2251/00
See application file for complete search history.

D464,262 S *	10/2002	Drennow	D9/446
7,726,505 B2 *	6/2010	Cheung	F16K 17/28
				206/543
D678,767 S *	3/2013	Haley	D9/440
D679,589 S *	4/2013	Hauth	D9/446
D730,730 S *	6/2015	Haley	D9/440
D750,490 S *	3/2016	Moore	D9/446
9,618,130 B1 *	4/2017	Nguyen	F16K 15/147
10,181,672 B2 *	1/2019	Yanagihara	B62K 11/14
2005/0184026 A1 *	8/2005	Haley	B65D 47/06
				215/306
2010/0096398 A1 *	4/2010	Gorskey	B65D 47/06
				220/793

* cited by examiner

Primary Examiner — Michael A. Pratt
Assistant Examiner — Wendy L Arminio
(74) *Attorney, Agent, or Firm* — Amy Fiene PC

(57) **CLAIM**

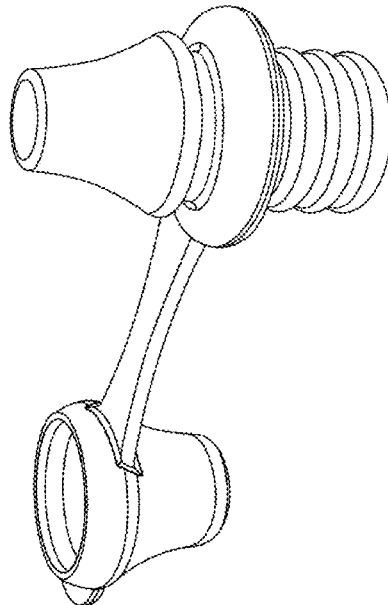
The ornamental design for a bottle cap, as shown and described.

DESCRIPTION

FIG. 1 is a front perspective view of a bottle cap showing my new design;
FIG. 2 is a side view thereof;
FIG. 3 is a top view thereof;
FIG. 4 is a bottom view thereof;
FIG. 5 is a side view thereof shown in a position of use on a bottle drawn in broken lines; and,
FIG. 6 is a side view thereof shown in an alternative closed configuration and in a position of use on a bottle drawn in broken lines.
The broken lines in FIGS. 5 and 6 illustrating a bottle depict environment and form no part of the claimed design. All other broken lines depict portions of the bottle cap that form no part of the claimed design.

1 Claim, 6 Drawing Sheets

- (56) **References Cited**
U.S. PATENT DOCUMENTS
D193,121 S * 6/1962 Wickman D9/446
3,160,327 A * 12/1964 Porcelli B65D 47/103
220/258.2
D404,646 S * 1/1999 Black, Sr. D9/440



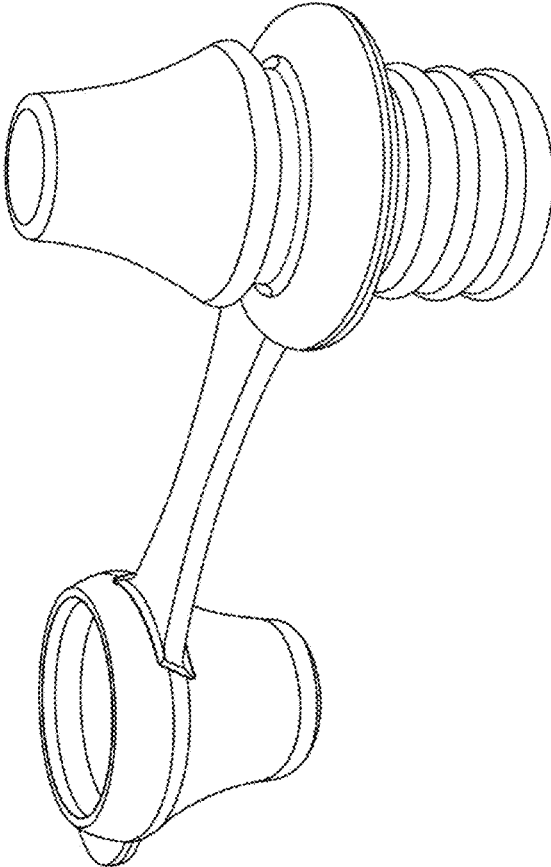


FIG. 1

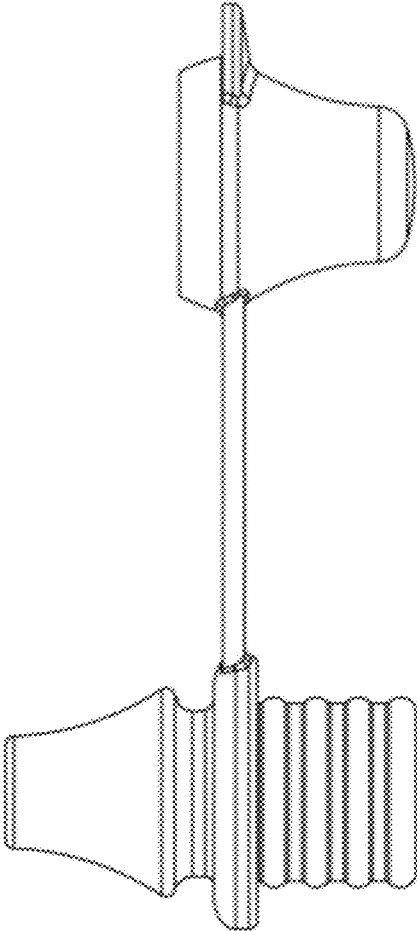


FIG. 2

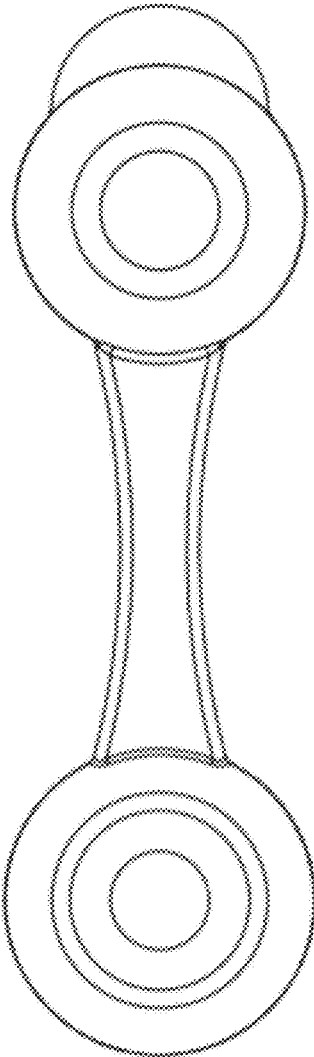


FIG. 3

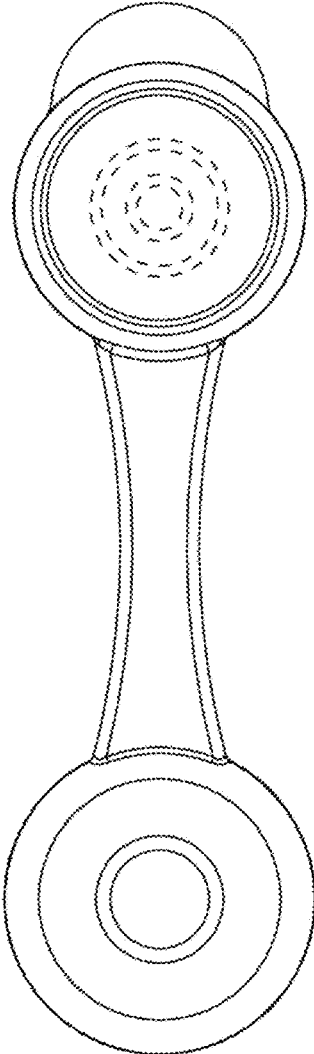


FIG. 4

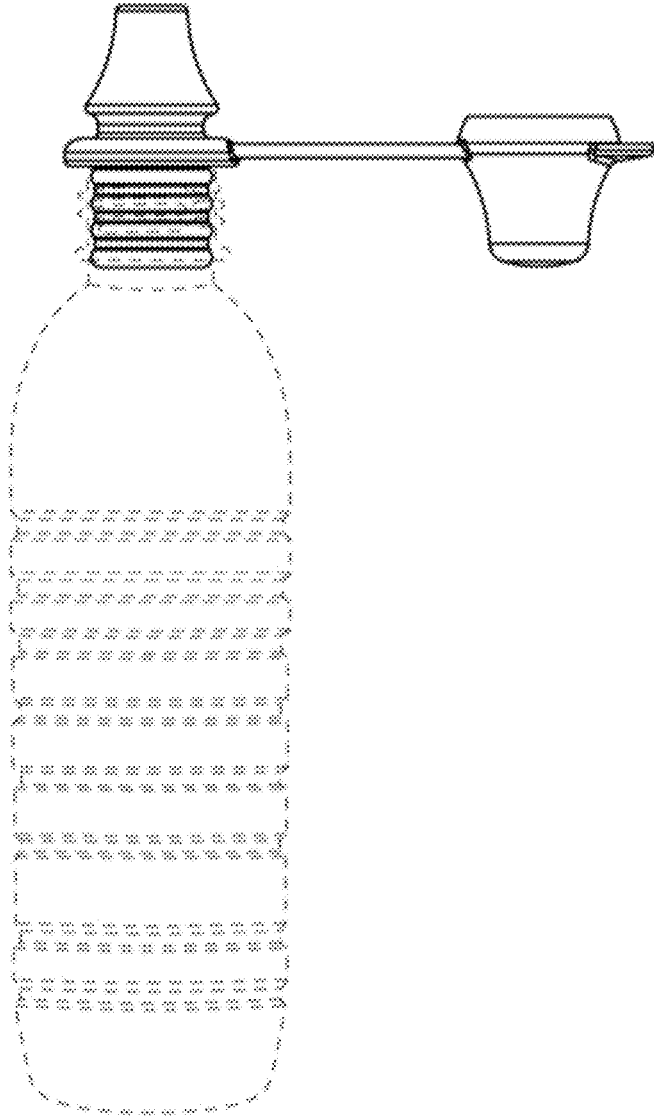


FIG. 5

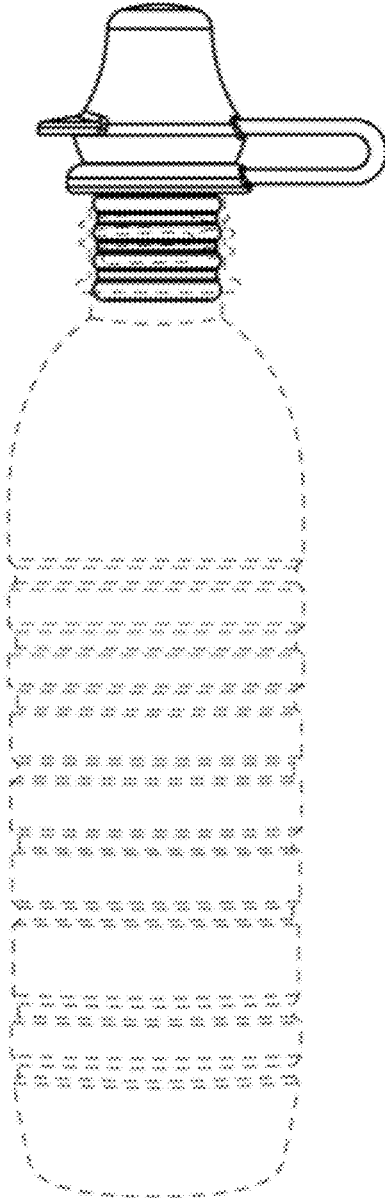


FIG. 6