



US00D484286S

(12) **United States Design Patent** (10) **Patent No.:** **US D484,286 S**  
**Dyson et al.** (45) **Date of Patent:** **\*\* Dec. 23, 2003**

(54) **VACUUM CLEANER**  
(75) Inventors: **James Dyson, Wiltshire (GB);**  
**Alexander Stuart Knox, Bath (GB);**  
**Peter David Gammack, Bath (GB);**  
**Michael David Ganderton, Bath (GB)**

D448,128 S \* 9/2001 Oh ..... D32/21  
D460,843 S \* 7/2002 Saimen et al. .... D32/21  
6,482,246 B1 \* 11/2002 Dyson et al. .... 55/459.1  
6,484,350 B2 \* 11/2002 Yung ..... 15/327.1  
D471,683 S \* 3/2003 Dyson et al. .... D32/30  
6,553,612 B1 \* 4/2003 Dyson et al. .... 15/340.1  
D477,443 S \* 7/2003 Kondo et al. .... D32/21

(73) Assignee: **Dyson Limited, Wiltshire (GB)**  
(\*\*) Term: **14 Years**

\* cited by examiner

(21) Appl. No.: **29/164,117**  
(22) Filed: **Jul. 19, 2002**

*Primary Examiner*—Ruth McInroy

(74) *Attorney, Agent, or Firm*—Morrison & Foerster LLP

(30) **Foreign Application Priority Data**

(57) **CLAIM**

Jan. 22, 2002 (GB) ..... 3000842

We claim the ornamental design for a vacuum cleaner, as shown and described.

(51) **LOC (7) Cl.** ..... **15-05**  
(52) **U.S. Cl.** ..... **D32/24; D32/21**  
(58) **Field of Search** ..... D32/21, 31, 23–24,  
D32/1; 15/327.1, 327.2, 327.3, 327.4, 327.6,  
327.7, 323, 320–321; 55/345, DIG. 3, 459.1

**DESCRIPTION**

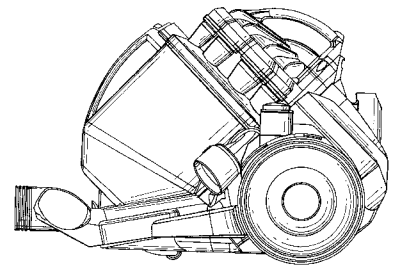
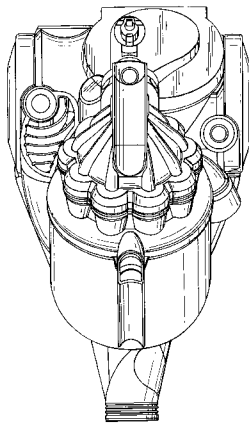
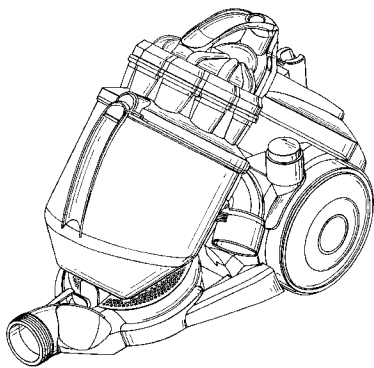
FIG. 1 is a perspective view of a vacuum cleaner showing our new design;  
FIG. 2 is a front view thereof;  
FIG. 3 is a rear view thereof;  
FIG. 4 is a top plan view thereof;  
FIG. 5 is a bottom plan view thereof;  
FIG. 6 is a left side view thereof; and,  
FIG. 7 is a right side view thereof.

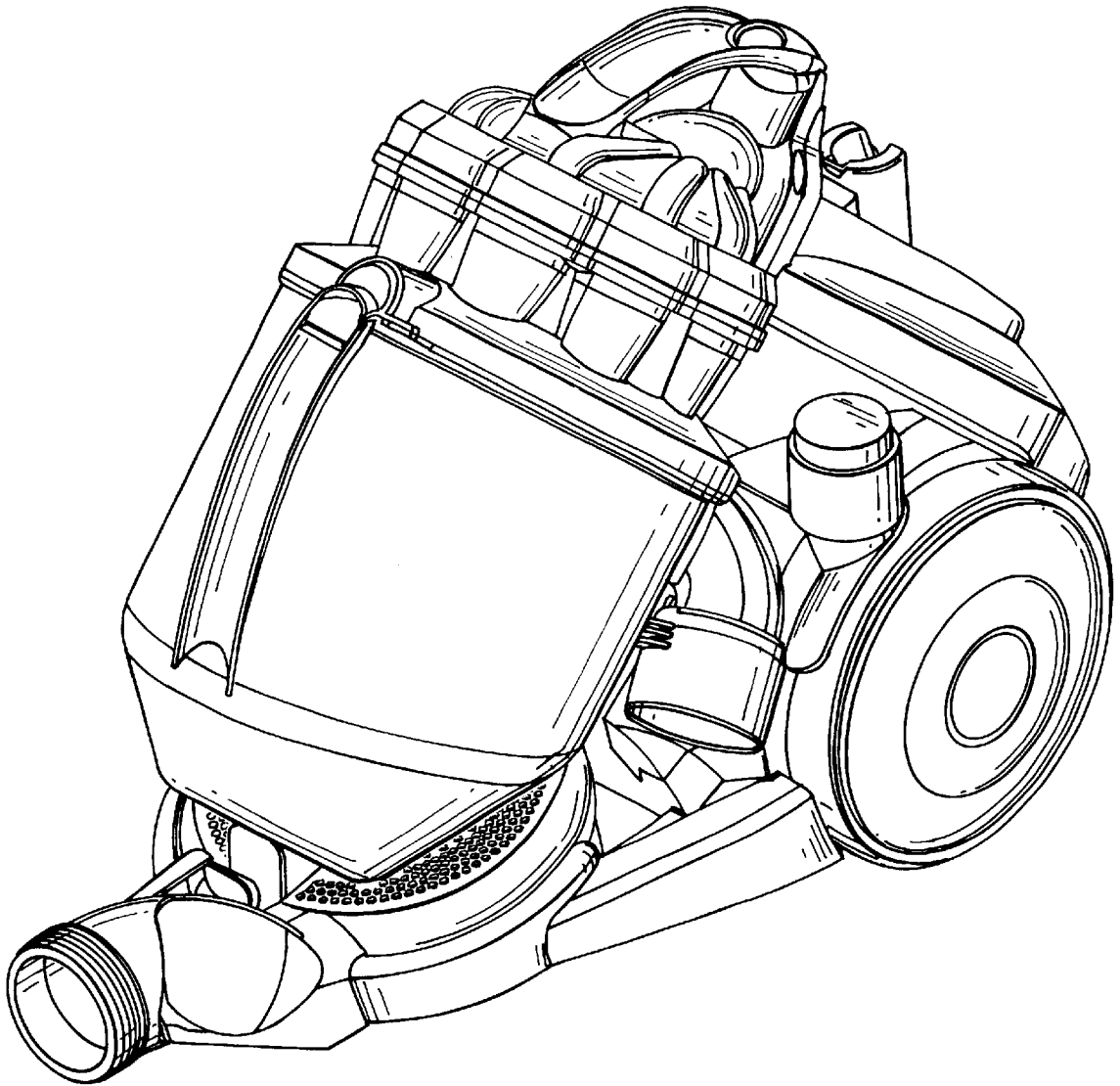
(56) **References Cited**

**U.S. PATENT DOCUMENTS**

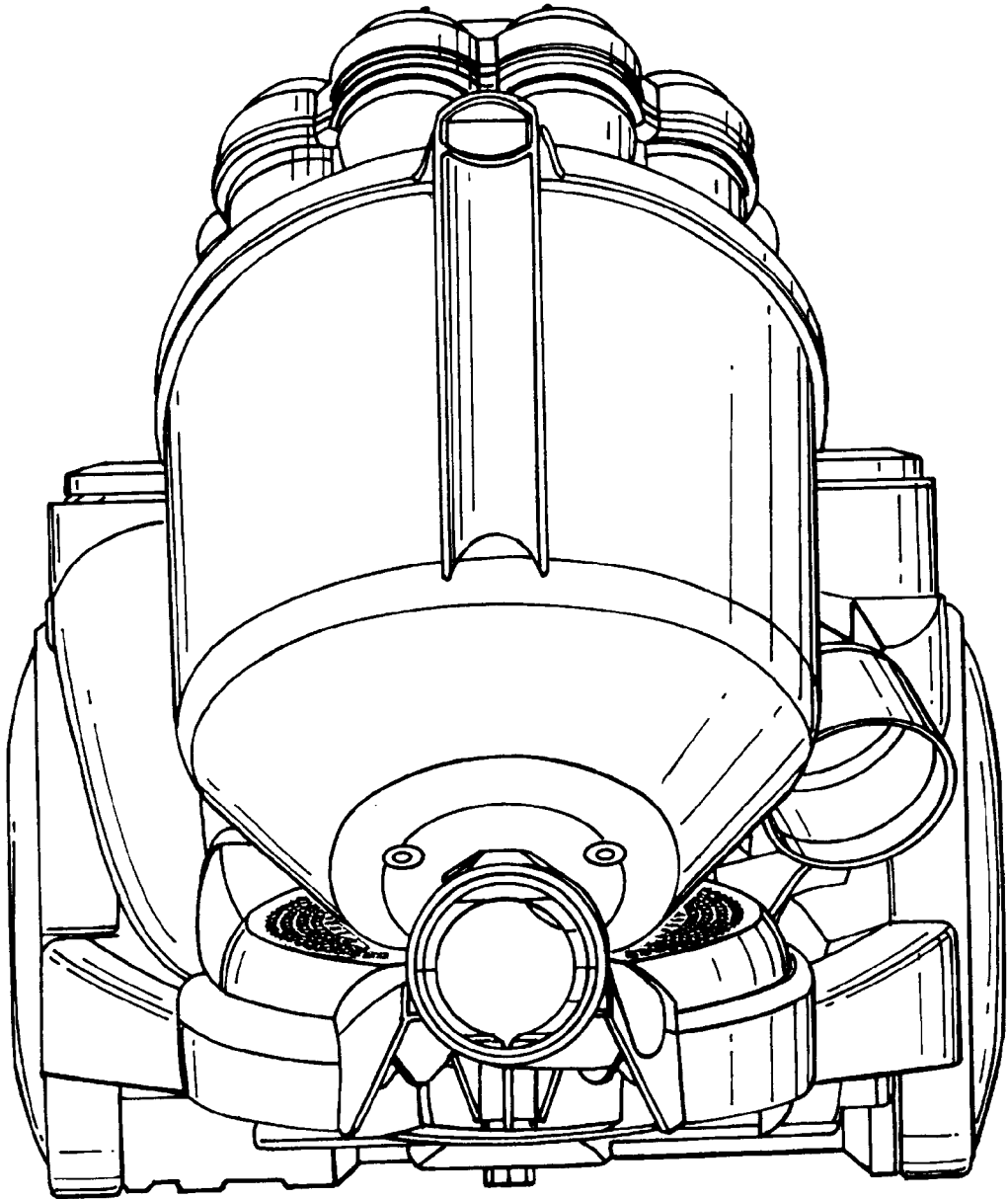
D382,679 S \* 8/1997 Dyson ..... D32/21  
D445,226 S \* 7/2001 Jupp ..... D32/21

**1 Claim, 7 Drawing Sheets**

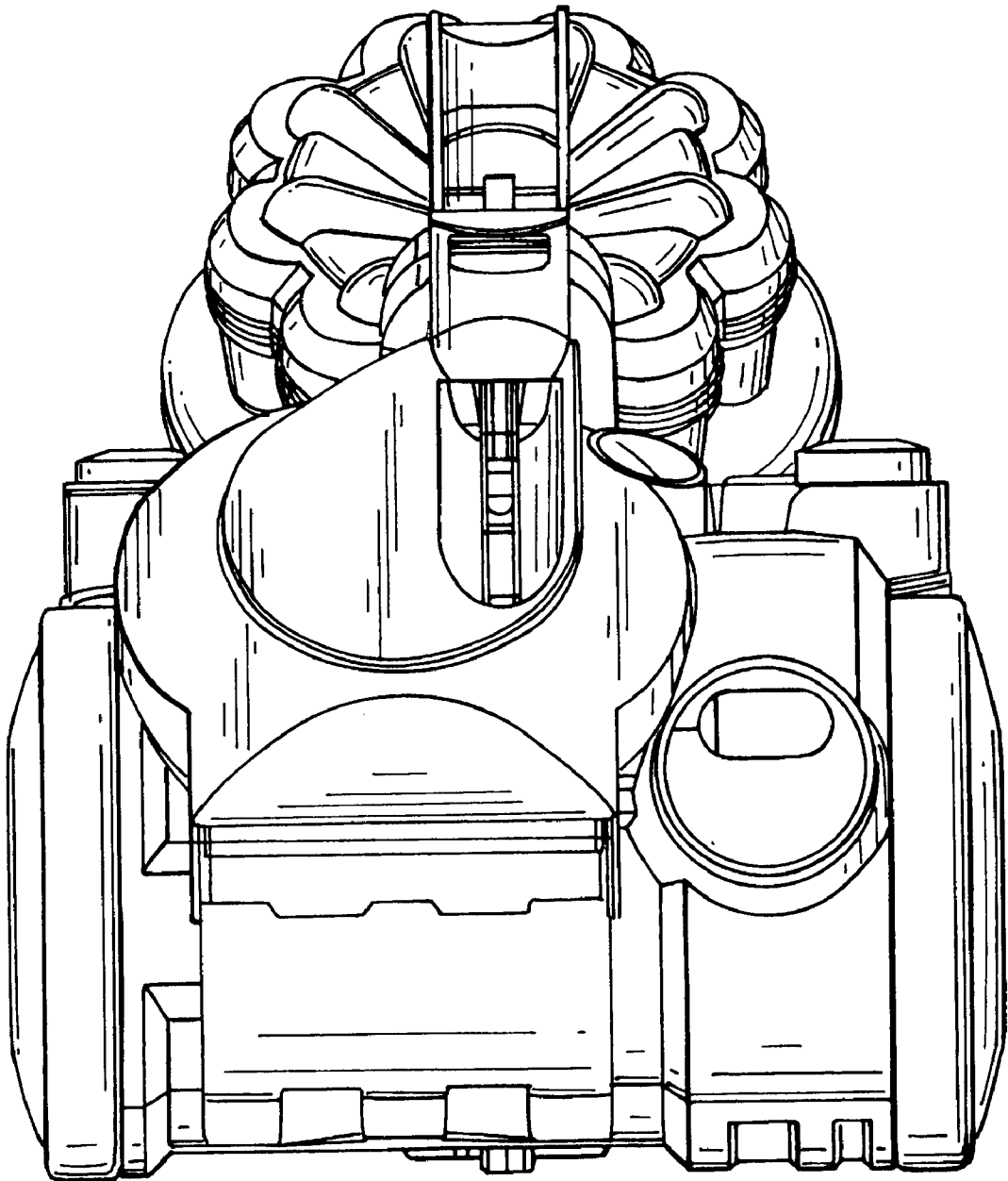




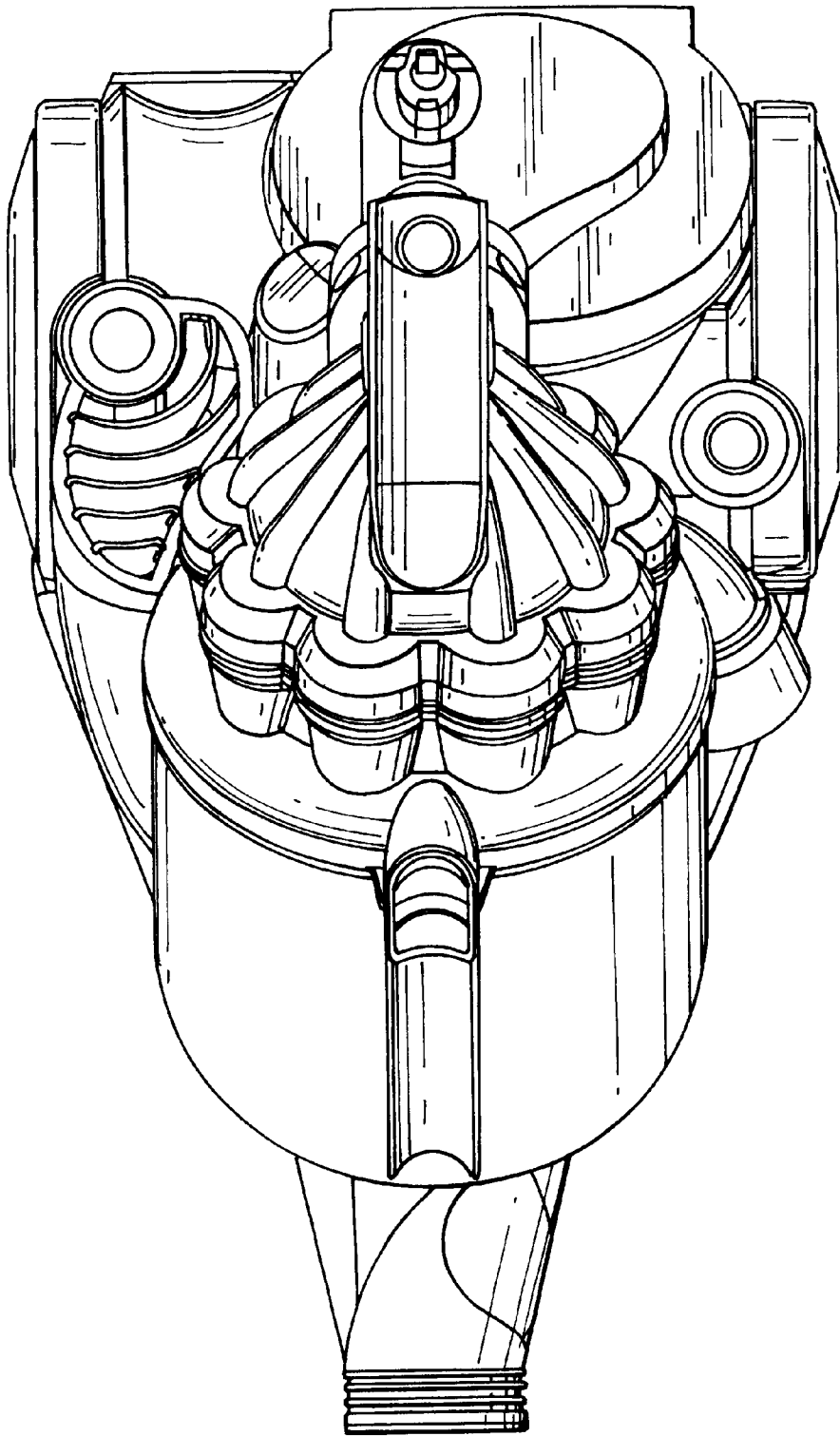
*Fig. 1*



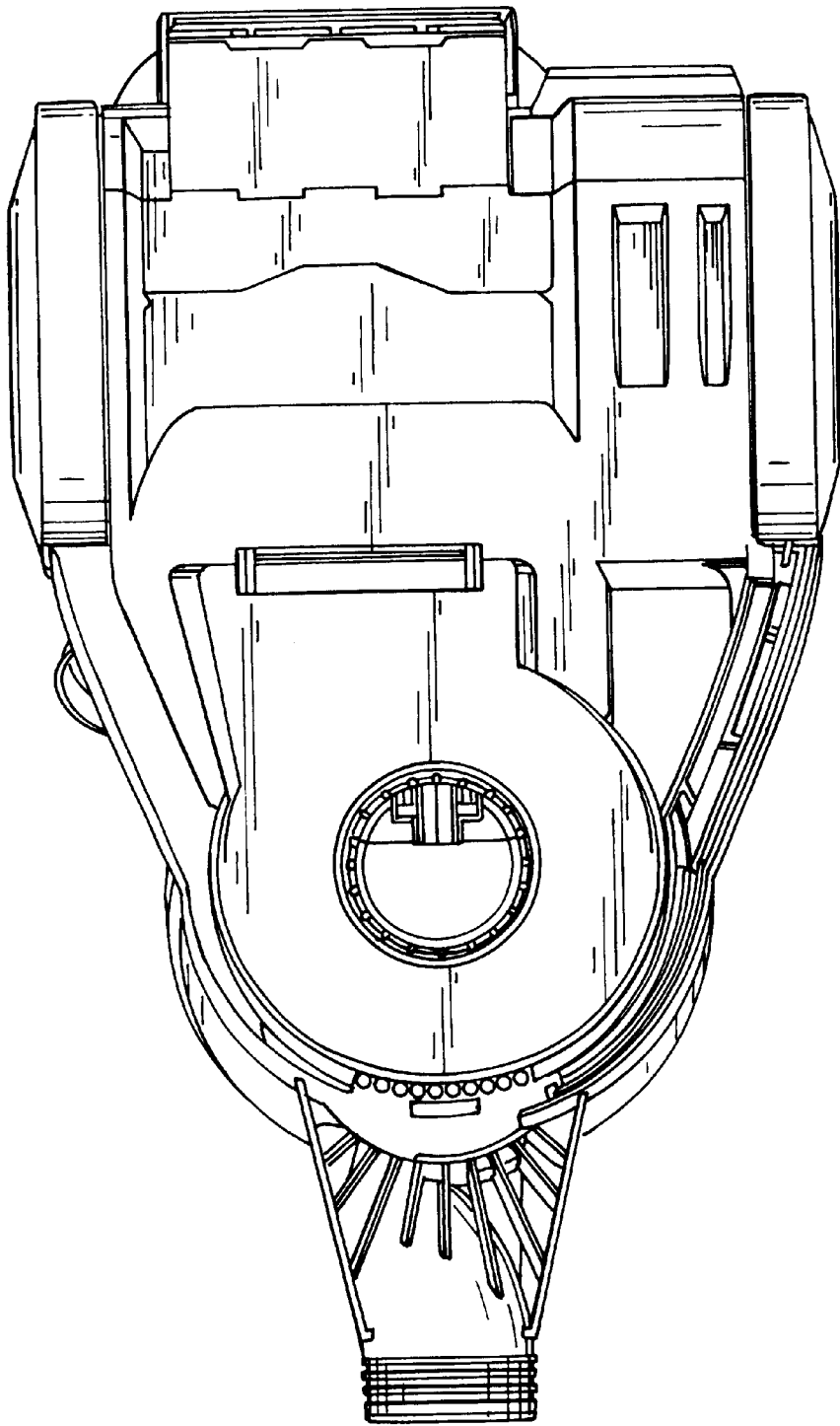
*Fig. 2*



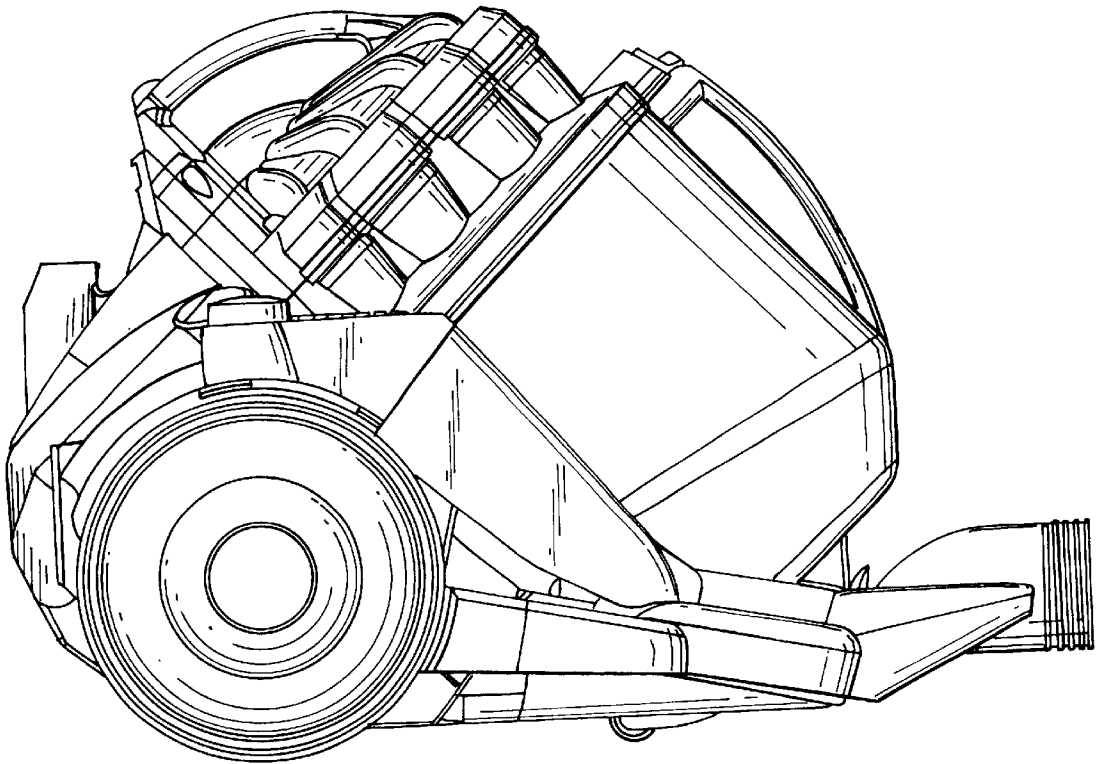
*Fig. 3*



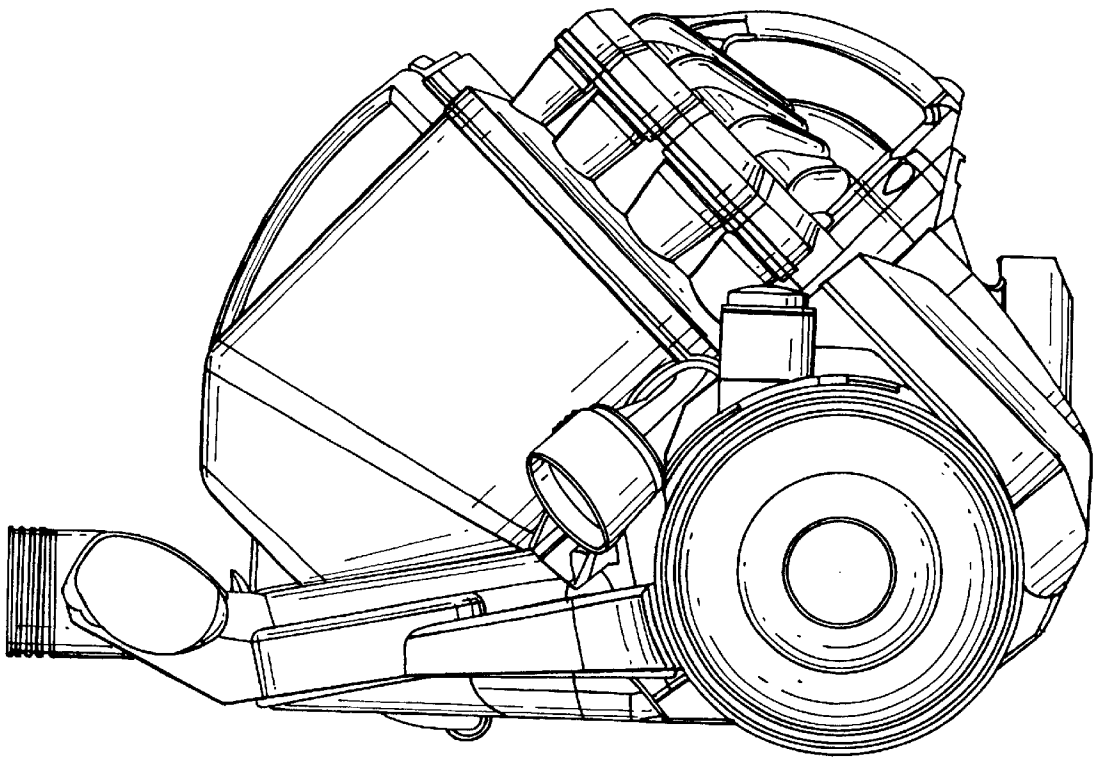
*Fig. 4*



*Fig. 5*



*Fig. 6*



*Fig. 7*