

(19) World Intellectual Property Organization
International Bureau



(43) International Publication Date
12 December 2002 (12.12.2002)

PCT

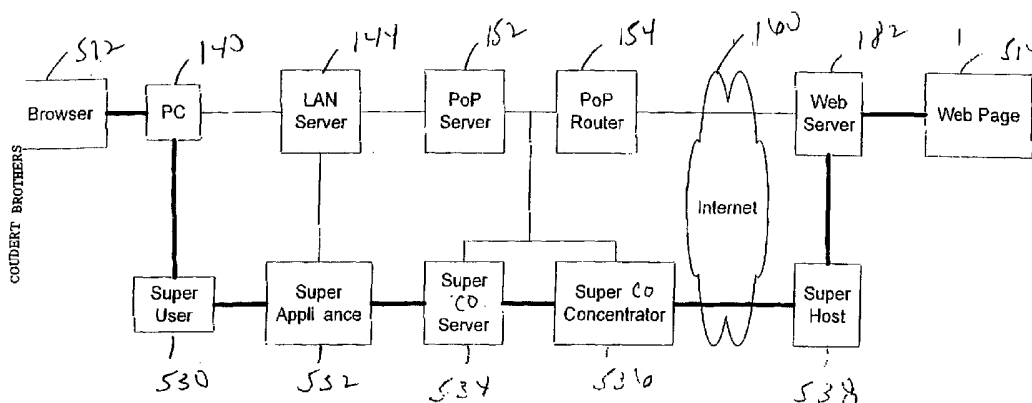
(10) International Publication Number
WO 02/099591 A3

- (51) International Patent Classification⁷: **H04L 12/66**
 - (21) International Application Number: PCT/US02/17926
 - (22) International Filing Date: 4 June 2002 (04.06.2002)
 - (25) Filing Language: English
 - (26) Publication Language: English
 - (30) Priority Data:

60/295,721	4 June 2001 (04.06.2001)	US
60/295,672	4 June 2001 (04.06.2001)	US
60/295,676	4 June 2001 (04.06.2001)	US
60/295,720	4 June 2001 (04.06.2001)	US
60/295,671	4 June 2001 (04.06.2001)	US
 - (71) Applicant: **NCT GROUP, INC.** [US/US]; 20 Ketchum Street, Westport, CT 06880 (US).
 - (72) Inventors: **PARRELLA, Michael, J., Sr.**; 40 Kellogg Hill Road, Weston, CT 06883 (US). **LASH, John**; 213 Mountain Road, Wilton, CT 06897 (US). **METCOFF, Jerry, M.**; 14 Deer Ridge Road, Roxbury, CT 06783 (US). **PARRELLA, Michael, J., Jr.**; 366 Suburban Avenue, Fairfield, CT 06432 (US). **BRAY, Cheryl**; 12 Adamec Road, Willington, CT 06279 (US).
 - (74) Agents: **KANZAKI, Kim** et al.; Coudert Brothers LLP, 600 Beach Street, 3rd Floor, San Francisco, CA 94109 (US).
 - (81) Designated States (*national*): AE, AG, AL, AM, AT, AU, AZ, BA, BB, BG, BR, BY, BZ, CA, CH, CN, CO, CR, CU, CZ, DE, DK, DM, DZ, EC, EE, ES, FI, GB, GD, GE, GH, GM, HR, HU, ID, IL, IN, IS, JP, KE, KG, KP, KR, KZ, LC, LK, LR, LS, LT, LU, LV, MA, MD, MG, MK, MN, MW, MX, MZ, NO, NZ, OM, PH, PL, PT, RO, RU, SD, SE, SG, SI, SK, SL, TJ, TM, TN, TR, TT, TZ, UA, UG, UZ, VN, YU, ZA, ZM, ZW.
 - (84) Designated States (*regional*): ARIPO patent (GH, GM, KE, LS, MW, MZ, SD, SL, SZ, TZ, UG, ZM, ZW), Eurasian patent (AM, AZ, BY, KG, KZ, MD, RU, TJ, TM), European patent (AT, BE, CH, CY, DE, DK, ES, FI, FR, GB, GR, IE, IT, LU, MC, NL, PT, SE, TR), OAPI patent (BF, BJ, CF, CG, CI, CM, GA, GN, GQ, GW, ML, MR, NE, SN, TD, TG).
- Published:**
- with international search report
 - before the expiration of the time limit for amending the claims and to be republished in the event of receipt of amendments
- (88) Date of publication of the international search report:
27 February 2003

[Continued on next page]

(54) Title: SYSTEM AND METHOD FOR INCREASING THE EFFECTIVE BANDWIDTH OF A COMMUNICATIONS NETWORK



(57) Abstract: A system and method for increasing the effective bandwidth of a communications network is provided by overlaying a "super" transport and caching structure over the conventional TCP/IP communications network, for example, the Internet 160, which increases the transfer rate of information in the communications network. The "super" transport and caching structure includes software or hardware or both added to at least two modules separated by a communications link in the communications network. The net result is that the users of the communications network have their time to access and/or retrieve informations significantly reduced, and the communications network, particularly a large network, e.g. the Internet 160, becomes an efficient means of performing commercial transactions by both businesses and individuals.

WO 02/099591 A3



For two-letter codes and other abbreviations, refer to the "Guidance Notes on Codes and Abbreviations" appearing at the beginning of each regular issue of the PCT Gazette.

INTERNATIONAL SEARCH REPORT

International application No.
PCT/US02/17926

A. CLASSIFICATION OF SUBJECT MATTER
IPC(7) :H04L 12/66
US CL : 370/352
According to International Patent Classification (IPC) or to both national classification and IPC

B. FIELDS SEARCHED
Minimum documentation searched (classification system followed by classification symbols)
U.S. : 370/352, 351, 353, 354, 355, 356, 389, 390, 391, 392

Documentation searched other than minimum documentation to the extent that such documents are included in the fields searched

Electronic data base consulted during the international search (name of data base and, where practicable, search terms used)
EAST

C. DOCUMENTS CONSIDERED TO BE RELEVANT

Category*	Citation of document, with indication, where appropriate, of the relevant passages	Relevant to claim No.
Y	US 6,195,358 B1 (BOWATER ET AL) 27 FEBRUARY 2001, col 2 lines 28-40, col 4 lines 69-67, col 5 lines 1-17, col 7 lines 25-30	1-8
Y E	US 6,434,168 B1 (KARI) 13 AUGUST 2002, abstract, Figs. 2a, 2b, col 2 lines 25-58,	1-8
Y E	US 6, 404,766 B1 (KITAI ET AL) 11 JUNE 2002, col 2 lines 49-65, col 4 lines 10-25	9-11, 23-25
Y P	US 6, 310,892 B1 (OLKIN) 30 OCTOBER 2001, col 2 lines 12-25 col 5 lines 60-67, col 6 lines 1-12	9-11, 23-25
X	US 6, 240,444 B1 (FIN ET AL) 29 MAY 2001, col 3 lines 20-40, col 5 lines 8-17, 28-35, 59-67, col 6 lines 1-3	19-20

Further documents are listed in the continuation of Box C. See patent family annex.

* Special categories of cited documents:	"T" later document published after the international filing date or priority date and not in conflict with the application but cited to understand the principle or theory underlying the invention
"A" document defining the general state of the art which is not considered to be of particular relevance	"X" document of particular relevance; the claimed invention cannot be considered novel or cannot be considered to involve an inventive step when the document is taken alone
"B" earlier document published on or after the international filing date	"Y" document of particular relevance; the claimed invention cannot be considered to involve an inventive step when the document is combined with one or more other such documents, such combination being obvious to a person skilled in the art
"L" document which may throw doubts on priority claim(s) or which is cited to establish the publication date of another citation or other special reason (as specified)	"&" document member of the same patent family
"O" document referring to an oral disclosure, use, exhibition or other means	
"P" document published prior to the international filing date but later than the priority date claimed	

Date of the actual completion of the international search 18 SEPTEMBER 2002	Date of mailing of the international search report 13 DEC 2002
--	---

Name and mailing address of the ISA/US Commissioner of Patents and Trademarks Box PCT Washington, D.C. 20231 Facsimile No. (703) 305-3230	Authorized officer RICARDO PIZARRO Telephone No. (703) 305-4700
---	---