



(12) **United States Design Patent**
Lanzi et al.

(10) **Patent No.:** **US D776,271 S**
(45) **Date of Patent:** **** Jan. 10, 2017**

(54) **MEDICAL PROTECTIVE SHIELD**

(71) Applicant: **Hoffmann-La Roche Inc.**, Little Falls, NJ (US)

(72) Inventors: **Sylvain Lanzi**, Arlesheim (CH); **Tania Reina**, Basel (CH); **Petra Pistelakova**, Biel-Benken (CH)

(73) Assignee: **HOFFMANN-LA ROCHE INC.**, Little Falls, NJ (US)

(**) Term: **14 Years**

(21) Appl. No.: **29/499,533**

(22) Filed: **Aug. 15, 2014**

(30) **Foreign Application Priority Data**
Feb. 18, 2014 (CH) 140507

(51) **LOC (10) Cl.** **24-02**
(52) **U.S. Cl.**
USPC **D24/127**

(58) **Field of Classification Search**
USPC D24/127-131, 112-114, 133, 186; 606/181, 606/185; 604/264, 523-528, 272, 187, 604/158, 164.01-164.11, 181, 184, 227; 600/101, 139, 143; 128/200.24, 207.14, 128/207.15
CPC .. A61M 25/065; A61M 5/42; A61M 25/0612; A61M 25/00; A61M 39/00; A61M 27/00; A61M 25/0043; A61M 25/0067; A61M 25/0097; A61F 2/958

See application file for complete search history.

(56) **References Cited**

U.S. PATENT DOCUMENTS

D486,909 S * 2/2004 Cise et al. D24/129
D602,128 S * 10/2009 Williams et al. D23/262
D621,037 S * 8/2010 Maxa et al. D24/130
D621,038 S * 8/2010 Maxa et al. D24/130
D626,648 S * 11/2010 Ahlgren D24/130
D631,542 S * 1/2011 DeGross et al. D24/129
D655,815 S * 3/2012 Miller et al. D24/133
D663,836 S * 7/2012 Ruiz et al. D24/133
D674,895 S * 1/2013 Rubin D24/129
D678,522 S * 3/2013 Gustavsson D24/130
D701,304 S * 3/2014 Lair et al. D24/129
D704,336 S * 5/2014 Chon et al. D24/144
8,968,380 B2 * 3/2015 Nimgaard 623/1.11

* cited by examiner

Primary Examiner — David Muller

(57) **CLAIM**
We claim the ornamental design for the medical protective shield, as shown and described.

DESCRIPTION

FIG. 1 is a front perspective view of our new design for a medical protective shield, featuring the top, front, and right sides thereof;
FIG. 2 is a rear perspective view of our new design for a medical protective shield, featuring the top, rear, and right sides thereof;
FIG. 3 is a left side elevation view thereof;
FIG. 4 is a front elevation view thereof; and,
FIG. 5 is a rear elevation view thereof.
The broken line showing of parts of the drawings is included for the purpose of illustrating use and environment and forms no part of the claimed design.

1 Claim, 4 Drawing Sheets

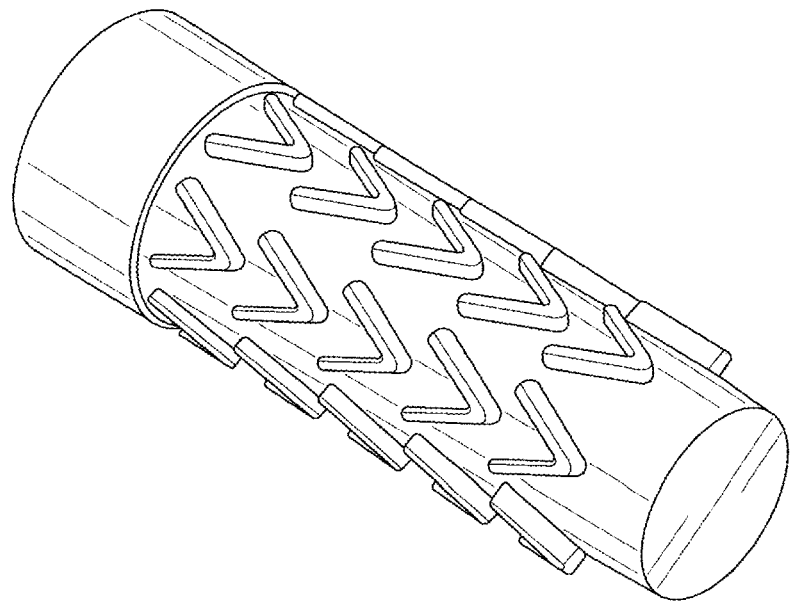




FIG. 1

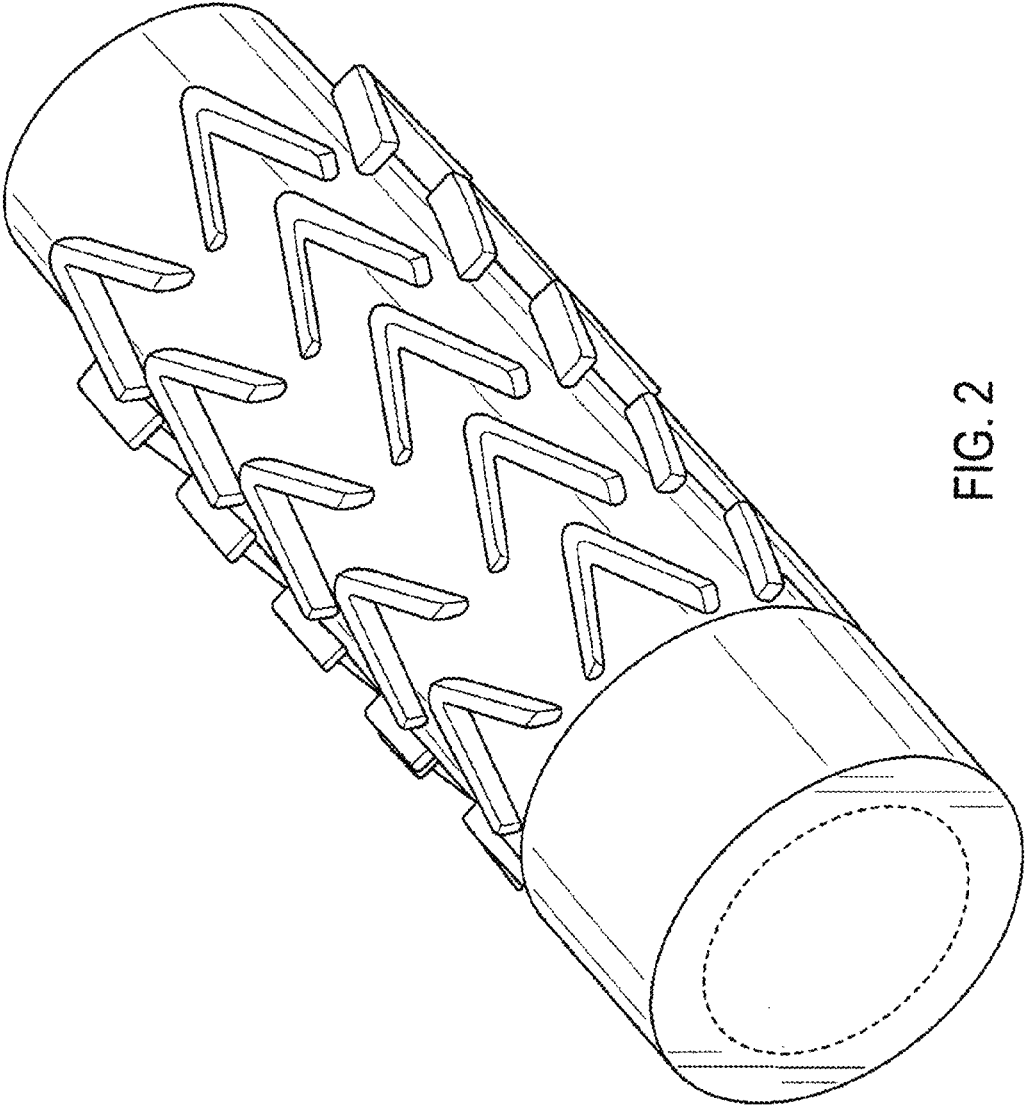


FIG. 2

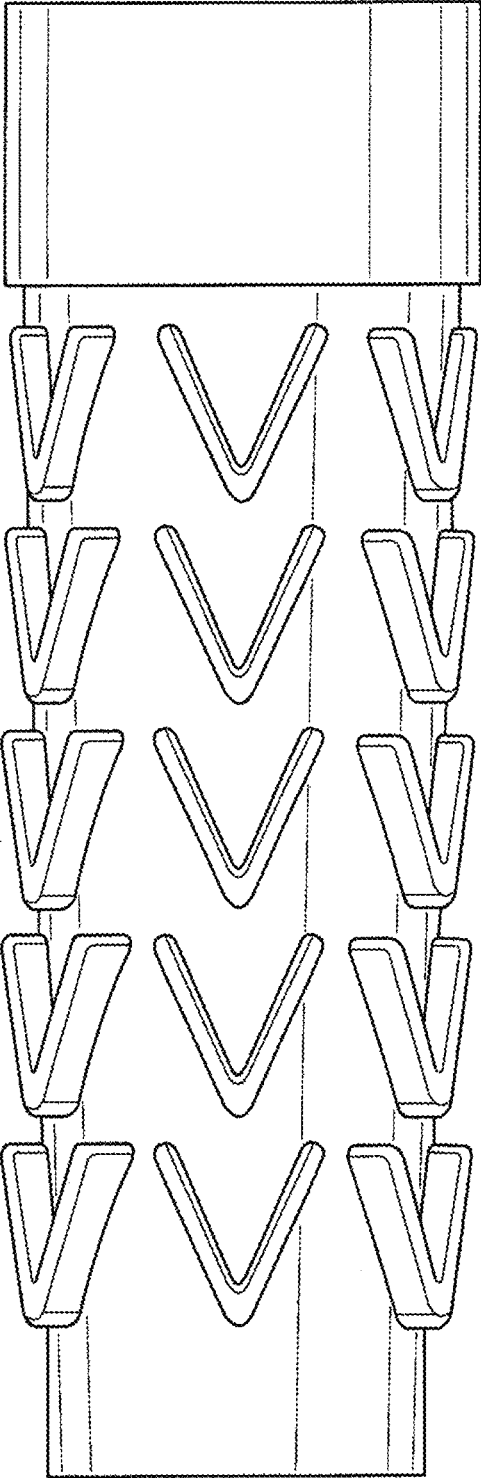


FIG. 3

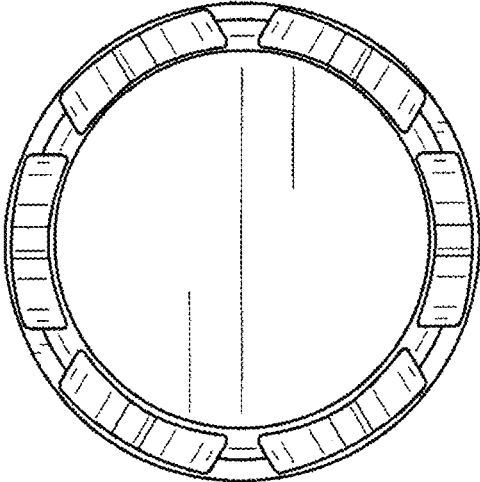


FIG. 4

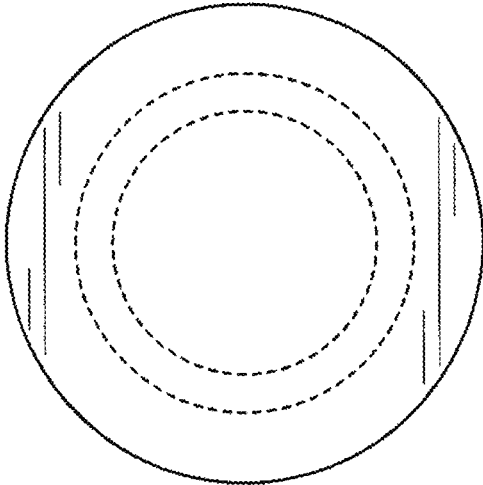


FIG. 5