

(19) World Intellectual Property Organization  
International Bureau



(43) International Publication Date  
2 February 2006 (02.02.2006)

PCT

(10) International Publication Number  
**WO 2006/012004 A3**

(51) International Patent Classification:

*B65H 3/08* (2006.01)      *B65H 5/04* (2006.01)  
*B65H 5/00* (2006.01)      *B65H 5/08* (2006.01)  
*B65H 5/02* (2006.01)      *B65H 5/34* (2006.01)

(US). **MANLEY, John, Allan** [US/US]; 34 Lyford Lane, Brentwood, NH 03833 (US).

(74) Agents: **KAPPEL, Cary, S.** et al.; Davidson, Davidson & Kappel, LLC, 14th Floor, 485 Seventh Avenue, New York, NY 10018 (US).

(21) International Application Number:

PCT/US2005/021102

(81) Designated States (unless otherwise indicated, for every kind of national protection available): AE, AG, AL, AM, AT, AU, AZ, BA, BB, BG, BR, BW, BY, BZ, CA, CH, CN, CO, CR, CU, CZ, DE, DK, DM, DZ, EC, EE, EG, ES, FI, GB, GD, GE, GH, GM, HR, HU, ID, IL, IN, IS, JP, KE, KG, KM, KP, KR, KZ, LC, LK, LR, LS, LT, LU, LV, MA, MD, MG, MK, MN, MW, MX, MZ, NA, NG, NI, NO, NZ, OM, PG, PH, PL, PT, RO, RU, SC, SD, SE, SG, SK, SL, SM, SY, TJ, TM, TN, TR, TT, TZ, UA, UG, US, UZ, VC, VN, YU, ZA, ZM, ZW.

(22) International Filing Date: 16 June 2005 (16.06.2005)

(25) Filing Language: English

(26) Publication Language: English

(30) Priority Data:  
60/582,565                      24 June 2004 (24.06.2004)      US

(71) Applicant (for all designated States except US): **GOSS INTERNATIONAL AMERICAS, INC.** [US/US]; 121 Broadway, Dover, NH 03820-3290 (US).

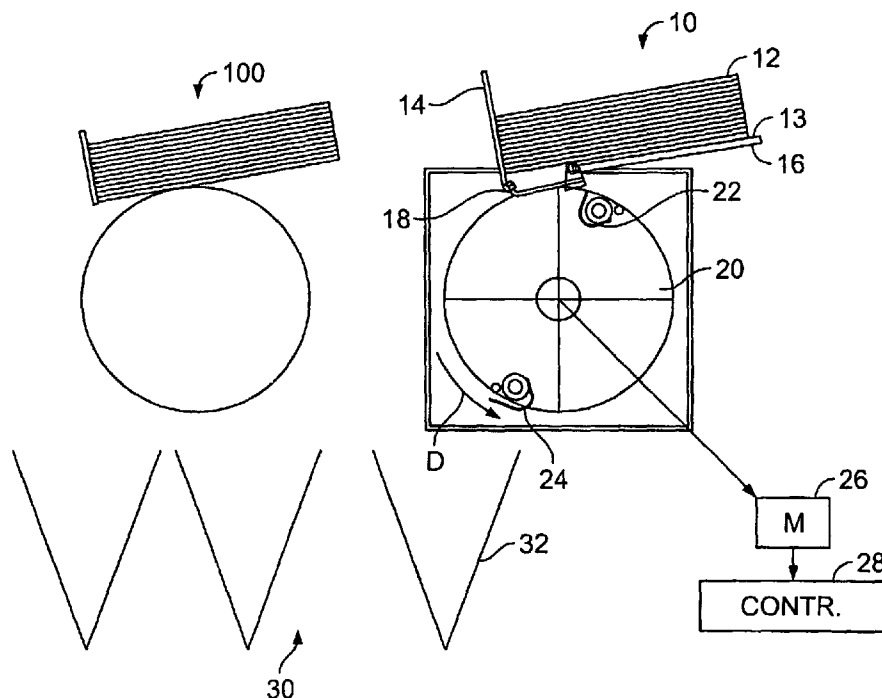
(72) Inventors; and

(75) Inventors/Applicants (for US only): **MASSOUD, Atef, Tanious** [CA/US]; 9 Michela Way, Nottingham, NH 03290 (US). **KAYA, Mehmet, Oktay** [GB/US]; 58 Newton Plains Road, Lee, NH 03824 (US). **ANTEZANA, Juan, Rolando** [US/US]; 29 Smith Garrison Road, New Market, NH 03857

(84) Designated States (unless otherwise indicated, for every kind of regional protection available): ARIPO (BW, GH, GM, KE, LS, MW, MZ, NA, SD, SL, SZ, TZ, UG, ZM, ZW), Eurasian (AM, AZ, BY, KG, KZ, MD, RU, TJ, TM), European (AT, BE, BG, CH, CY, CZ, DE, DK, EE, ES, FI, FR, GB, GR, HU, IE, IS, IT, LT, LU, MC, NL, PL, PT, RO, SE, SI, SK, TR), OAPI (BF, BJ, CF, CG, CI, CM, GA, GN, GQ, GW, ML, MR, NE, SN, TD, TG).

[Continued on next page]

(54) Title: METHOD AND DEVICE FOR FEEDING PRINTED PRODUCTS



(57) Abstract: A first embodiment of the present invention provides a method for transferring printed products and comprises the steps of pulling a printed product from a stack using a feed device running at a first preselected speed, accelerating the feed device after pulling the printed product from the stack and releasing the printed product from the feed device at a second preselected speed greater than the first speed.

WO 2006/012004 A3



**Published:**

- with international search report
- before the expiration of the time limit for amending the claims and to be republished in the event of receipt of amendments

*For two-letter codes and other abbreviations, refer to the "Guidance Notes on Codes and Abbreviations" appearing at the beginning of each regular issue of the PCT Gazette.*

**(88) Date of publication of the international search report:**

1 November 2007

# INTERNATIONAL SEARCH REPORT

International application No. PCT/US05/21102
---

**A. CLASSIFICATION OF SUBJECT MATTER**  
 IPC: **B65H 3/08( 2006.01),5/00( 2006.01),5/02( 2006.01),5/04( 2006.01),5/08( 2006.01),5/34( 2006.01)**  
  
 USPC: **271/100,107,10.01,277,11,270**  
 According to International Patent Classification (IPC) or to both national classification and IPC

**B. FIELDS SEARCHED**

Minimum documentation searched (classification system followed by classification symbols)  
 U.S. : 271/100,107,10.01,277,11,270

Documentation searched other than minimum documentation to the extent that such documents are included in the fields searched

Electronic data base consulted during the international search (name of data base and, where practicable, search terms used)

**C. DOCUMENTS CONSIDERED TO BE RELEVANT**

Category *	Citation of document, with indication, where appropriate, of the relevant passages	Relevant to claim No.
X	US 4,993,703 A (Jackson) 19 February 1991 (19.02.1991), column 5, lines 4-6.	1-8,10-14
X	US 5,560,599 A (Curley et al) 1 October 1996 (01.10.1996), column 4, lines 59-62.	1-8,10-14
---		-----
Y		9
A	US 3,960,079 A (Capetti) 1 June 1976 (01.06.1976)	
A	US 4,491,311 A (Glanzmann) 1 January 1985 (01.01.1985)	
A	US 4,358,100 (Muller) 9 November 1982 (9.11.1982)	
A	US 6,308,945 (Sagesser) 30 October 2001 (30.10.2001)	

Further documents are listed in the continuation of Box C.       See patent family annex.

<p>* Special categories of cited documents:</p> <p>"A" document defining the general state of the art which is not considered to be of particular relevance</p> <p>"E" earlier application or patent published on or after the international filing date</p> <p>"L" document which may throw doubts on priority claim(s) or which is cited to establish the publication date of another citation or other special reason (as specified)</p> <p>"O" document referring to an oral disclosure, use, exhibition or other means</p> <p>"P" document published prior to the international filing date but later than the priority date claimed</p>	<p>"T"</p> <p>"X"</p> <p>"Y"</p> <p>"&amp;"</p>	<p>later document published after the international filing date or priority date and not in conflict with the application but cited to understand the principle or theory underlying the invention</p> <p>document of particular relevance; the claimed invention cannot be considered novel or cannot be considered to involve an inventive step when the document is taken alone</p> <p>document of particular relevance; the claimed invention cannot be considered to involve an inventive step when the document is combined with one or more other such documents, such combination being obvious to a person skilled in the art</p> <p>document member of the same patent family</p>
---	---	---

Date of the actual completion of the international search 14 June 2007 (14.06.2007)	Date of mailing of the international search report <b>10 SEP 2007</b>
--	--

Name and mailing address of the ISA/US Mail Stop PCT, Attn: ISA/US Commissioner for Patents P.O. Box 1450 Alexandria, Virginia 22313-1450 Facsimile No. (571) 273-3201	Authorized officer Patrick H Mackey <i>V H alg</i> Telephone No. (571) 272-7803
---	---

# INTERNATIONAL SEARCH REPORT

International application No.  
PCT/US05/21102

## C. (Continuation) DOCUMENTS CONSIDERED TO BE RELEVANT

Category *	Citation of document, with indication, where appropriate, of the relevant passages	Relevant to claim No.
A	US 6,082,724 (Kahlig et al) 4 July 2000 (04.07.2000)	
A	US 6,193,229 B1 (Hall et al) 27 February 2001 (27.02.2001)	
A	US 6,224,050 B1 (Wicki) 1 May 2001 (01.05.2001)	