



US00D894108S

(12) **United States Design Patent**  
**Takahashi**

(10) **Patent No.:** **US D894,108 S**

(45) **Date of Patent:** **\*\* Aug. 25, 2020**

(54) **TIRE**  
(71) Applicant: **Toyo Tire Corporation**, Itami-shi,  
Hyogo (JP)

D766,815 S \* 9/2016 Shima ..... D12/585  
D833,965 S \* 11/2018 Shimomura ..... D12/585  
D864,846 S \* 10/2019 Liu ..... D12/585

(72) Inventor: **Soichi Takahashi**, Itami (JP)  
(73) Assignee: **Toyo Tire Corporation**, Itami-shi (JP)  
(\*\*) Term: **15 Years**

**FOREIGN PATENT DOCUMENTS**

JP 796848 S 6/1990  
JP 1381337 S 3/2010

\* cited by examiner

*Primary Examiner* — Robert M. Spear  
(74) *Attorney, Agent, or Firm* — Sterne, Kessler,  
Goldstein & Fox P.L.L.C.

(21) Appl. No.: **29/683,399**  
(22) Filed: **Mar. 13, 2019**

(30) **Foreign Application Priority Data**

Sep. 19, 2018 (JP) ..... 2018-020321

(51) **LOC (12) Cl.** ..... **12-15**

(52) **U.S. Cl.**  
USPC ..... **D12/585**; D12/590

(58) **Field of Classification Search**  
USPC ..... D12/572, 582, 583, 584, 585, 590, 596,  
D12/597, 602, 603  
CPC ..... B60C 11/0302; B60C 11/0306; B60C  
2011/0313; B60C 2011/0344; B60C  
2011/0346  
See application file for complete search history.

(57) **CLAIM**

The ornamental design for a tire, as shown and described.

**DESCRIPTION**

FIG. 1 is a front perspective view of a tire showing the claimed design;  
FIG. 2 is a front view thereof;  
FIG. 3 is a rear view thereof;  
FIG. 4 is a top plan view thereof;  
FIG. 5 is a bottom plan view thereof;  
FIG. 6 is a right side view thereof;  
FIG. 7 is a left side view thereof;  
FIG. 8 is an enlarged view taken along line 8-8 in FIG. 1;  
FIG. 9 is an enlarged view of the portion 9-9 in FIG. 2; and,  
FIG. 10 is a cross-sectional view taken along line 10-10 in FIG. 9.

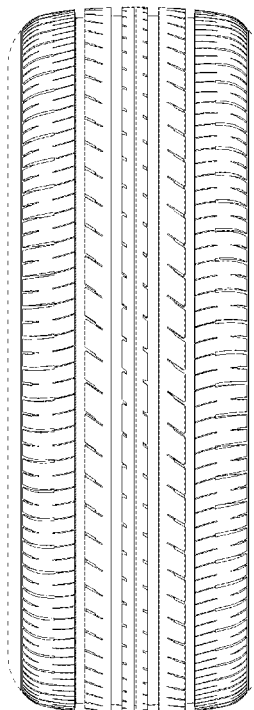
In the drawings, the broken lines show portions of the tire that form no part of the claimed design.

(56) **References Cited**

**U.S. PATENT DOCUMENTS**

D534,860 S \* 1/2007 Moriya ..... D12/585  
D647,033 S \* 10/2011 Murata ..... D12/584  
D673,109 S \* 12/2012 Miyazaki ..... D12/584  
D683,694 S \* 6/2013 Yonetsu ..... D12/585

**1 Claim, 10 Drawing Sheets**



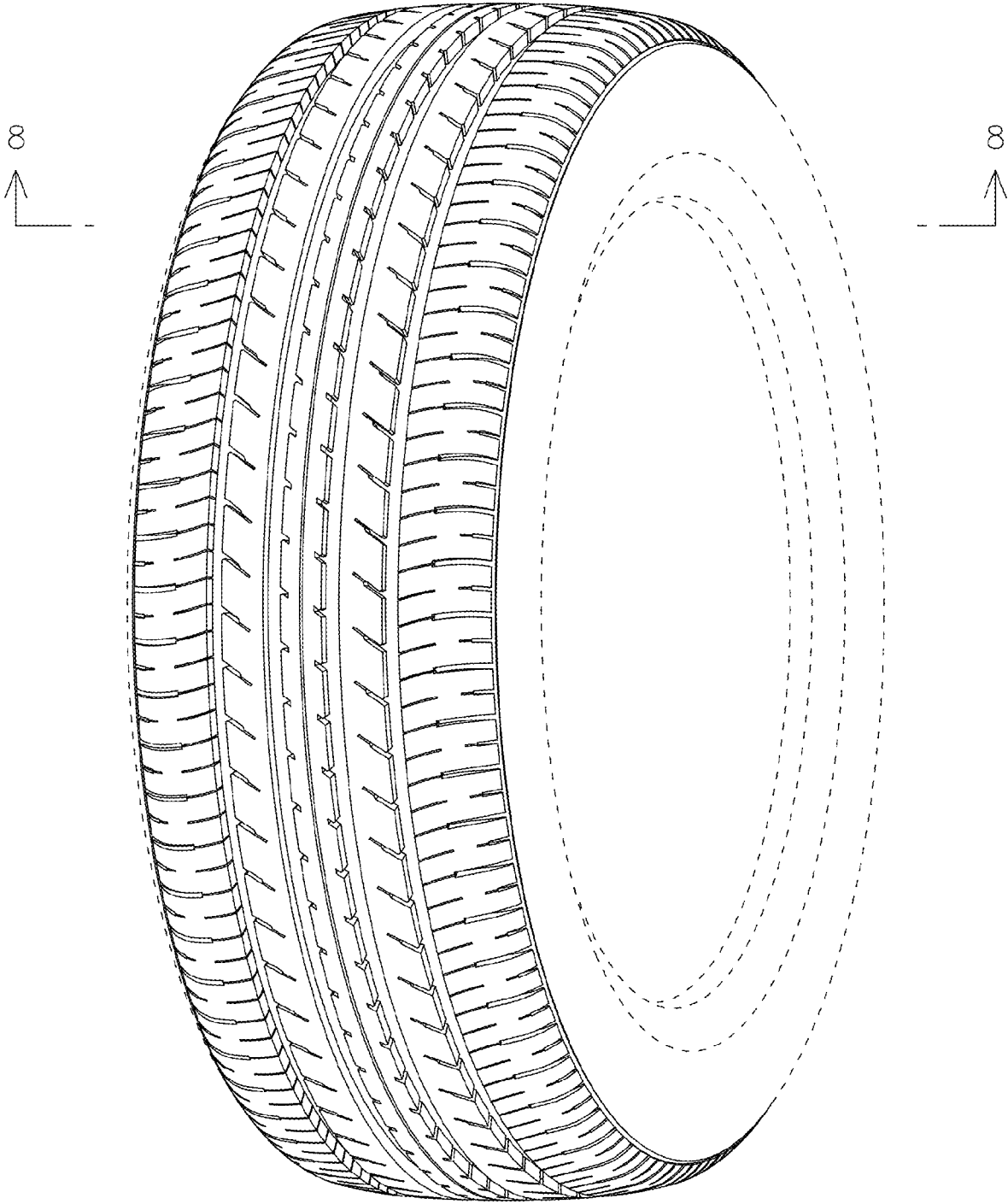


FIG. 1

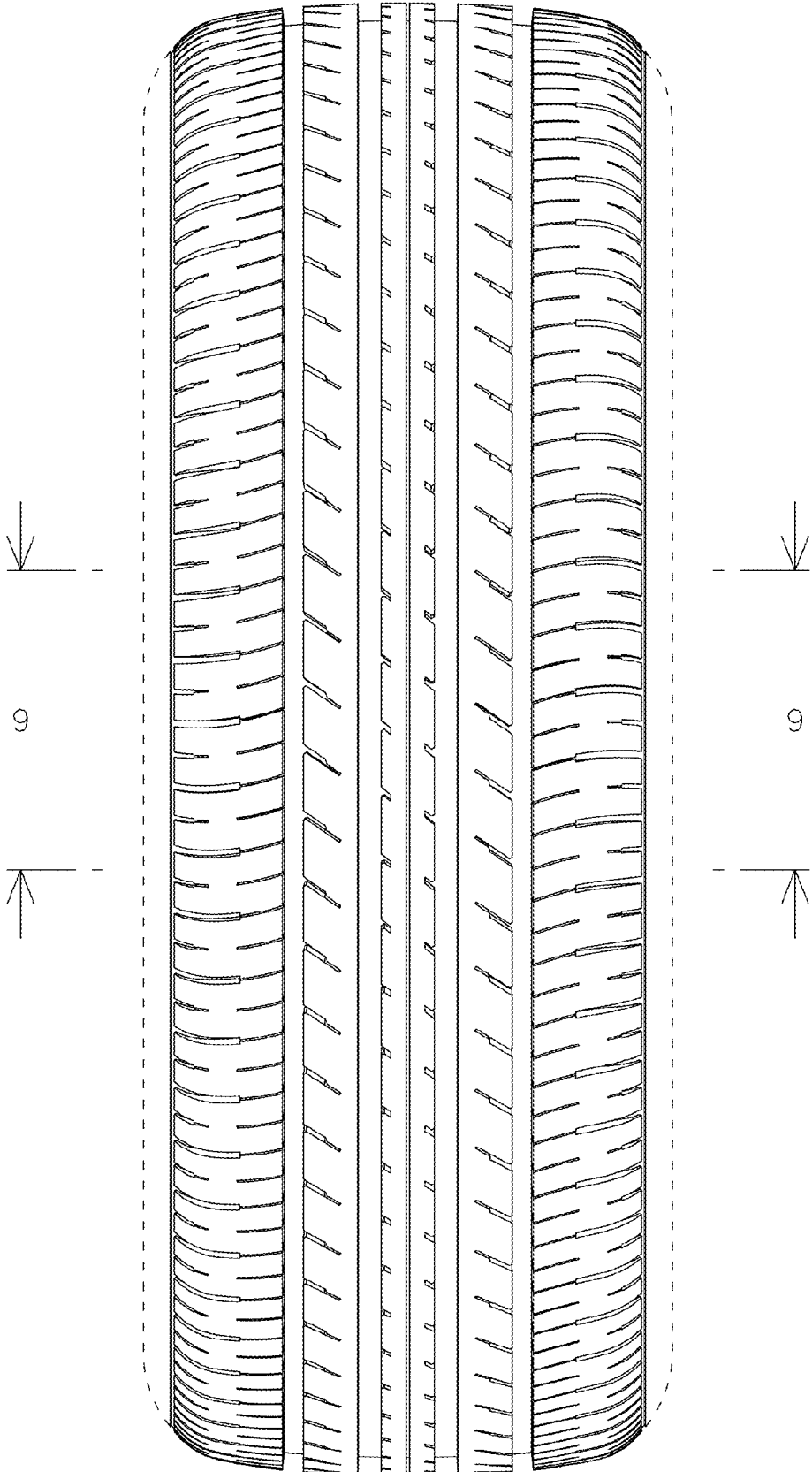


FIG. 2

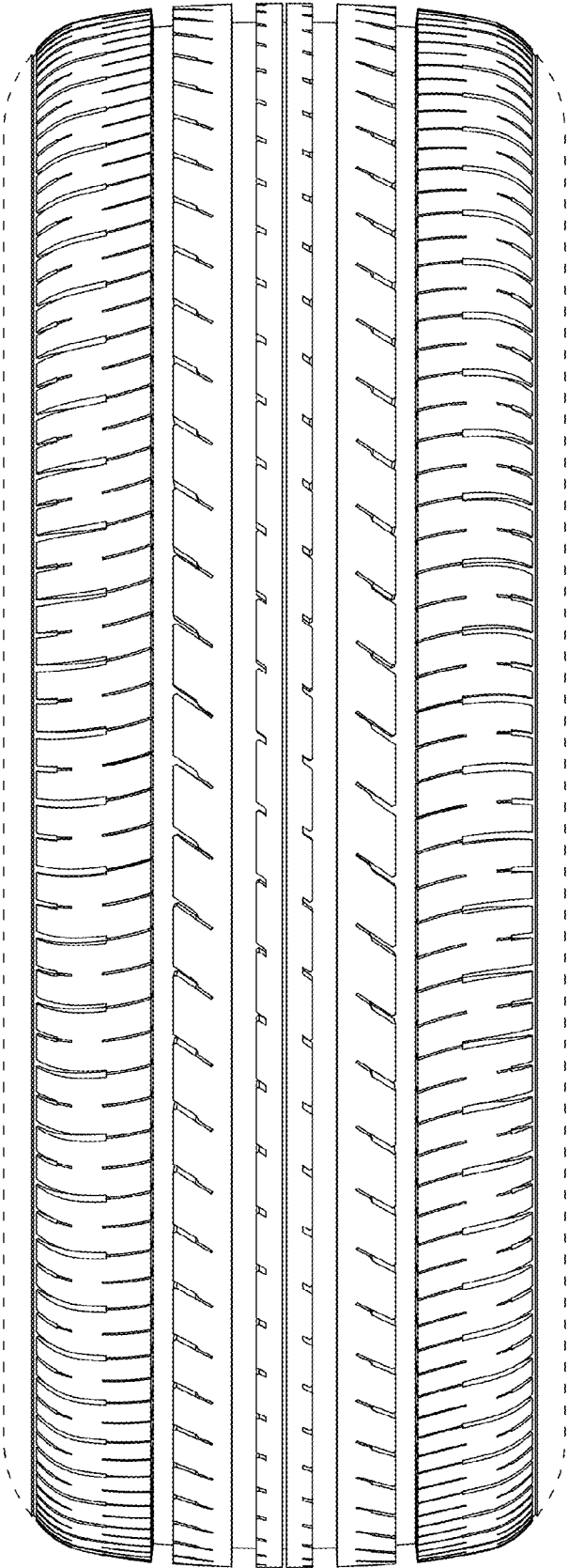


FIG. 3

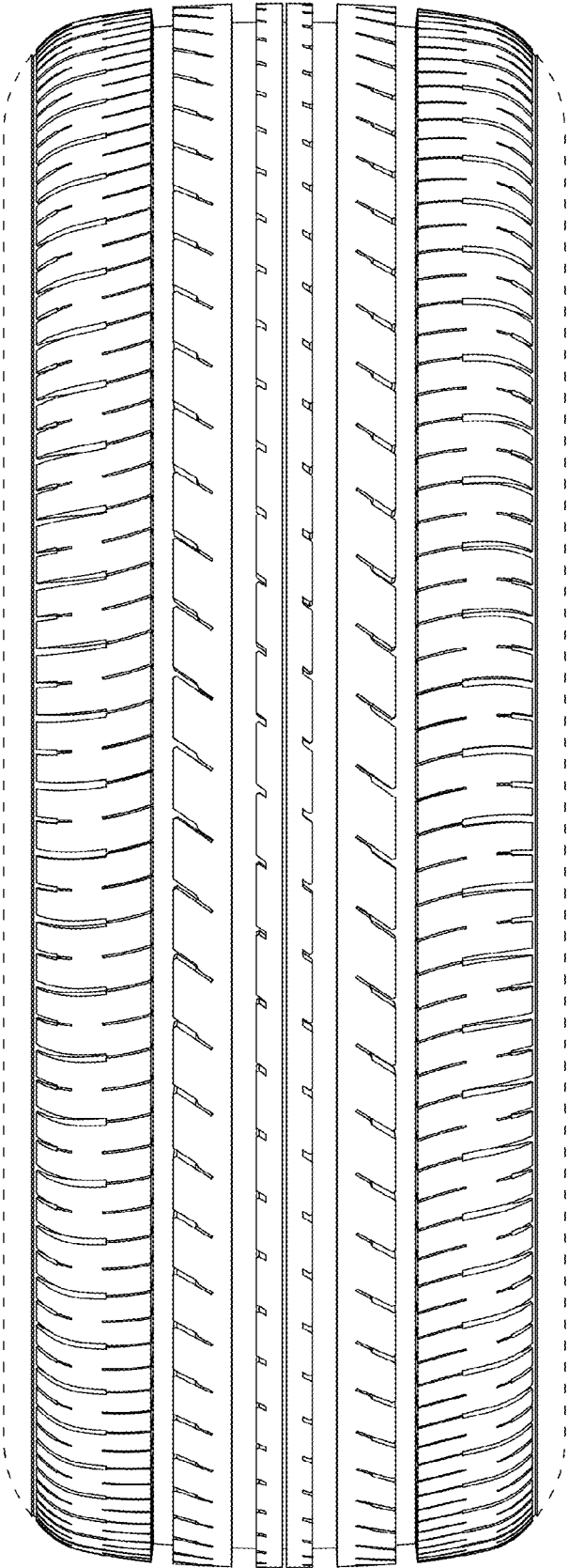


FIG. 4

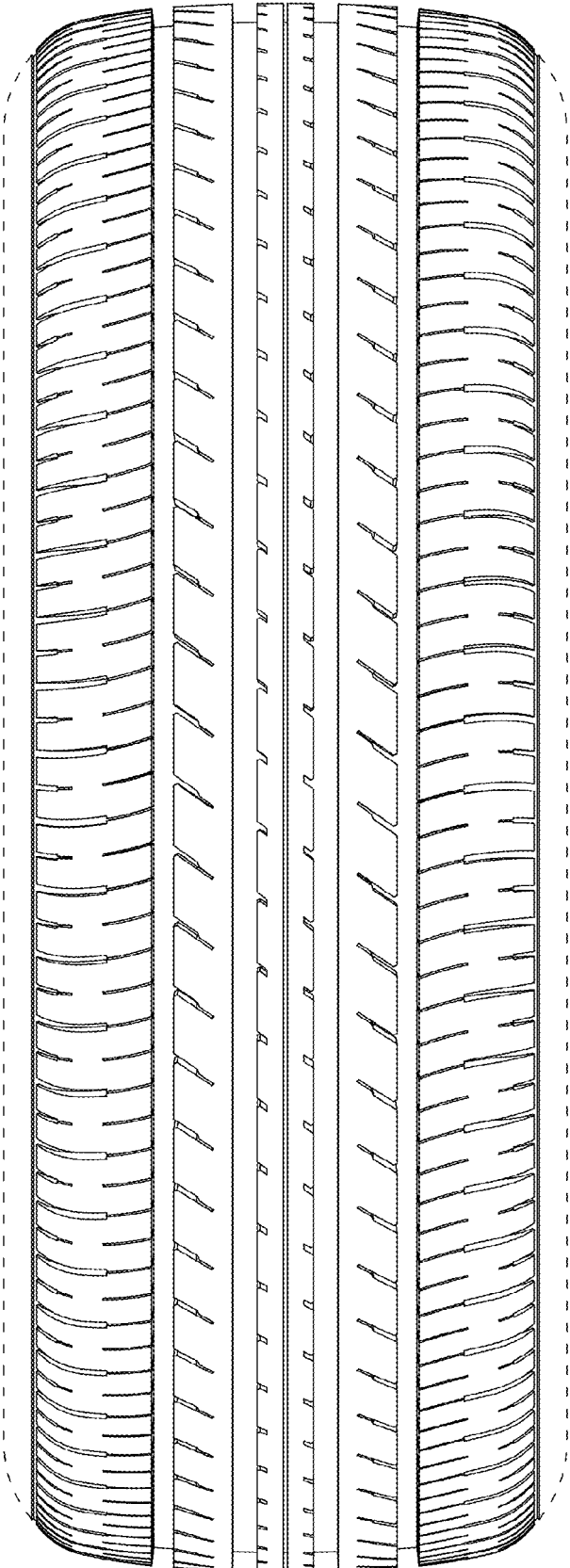


FIG. 5

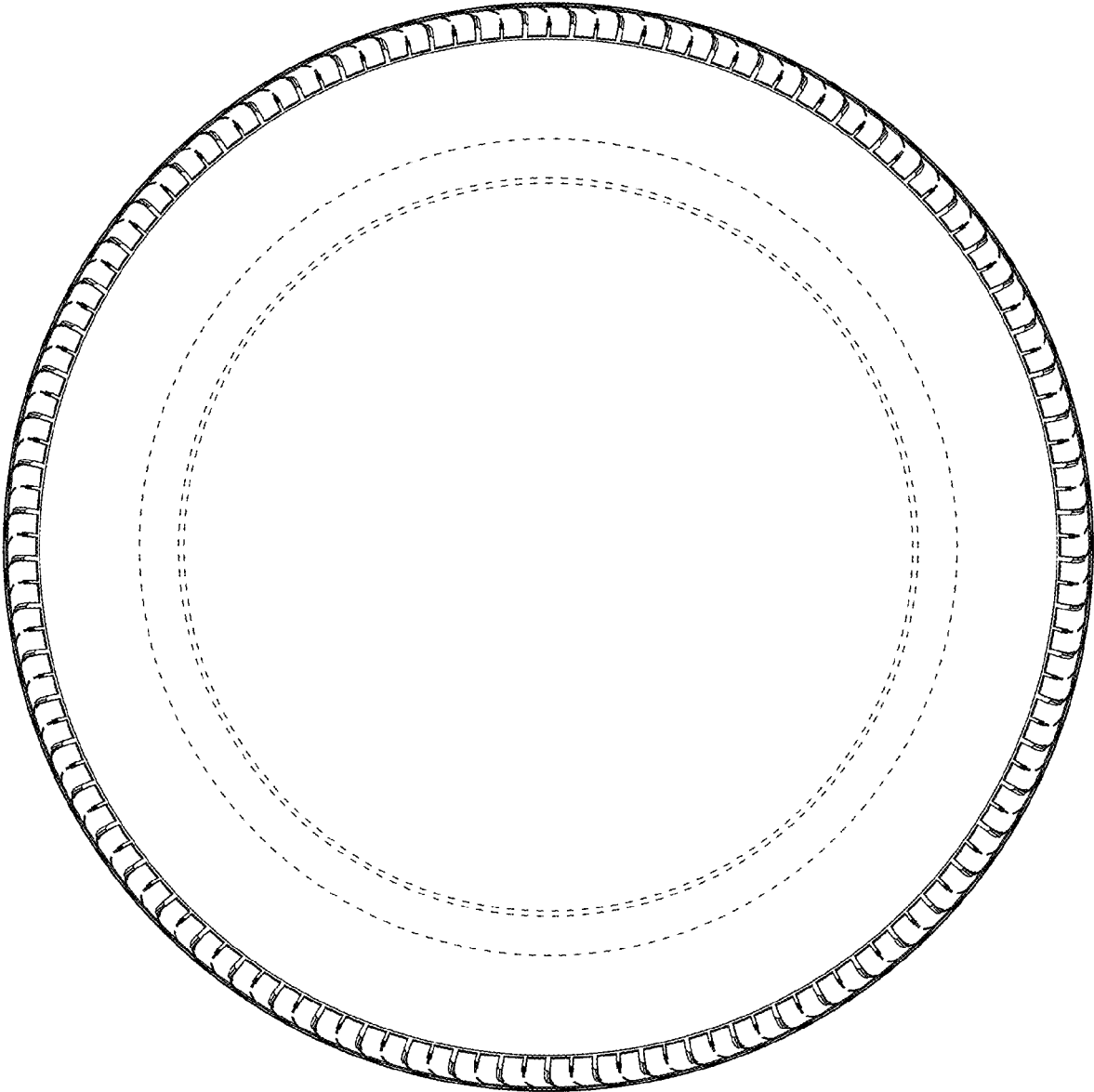


FIG. 6

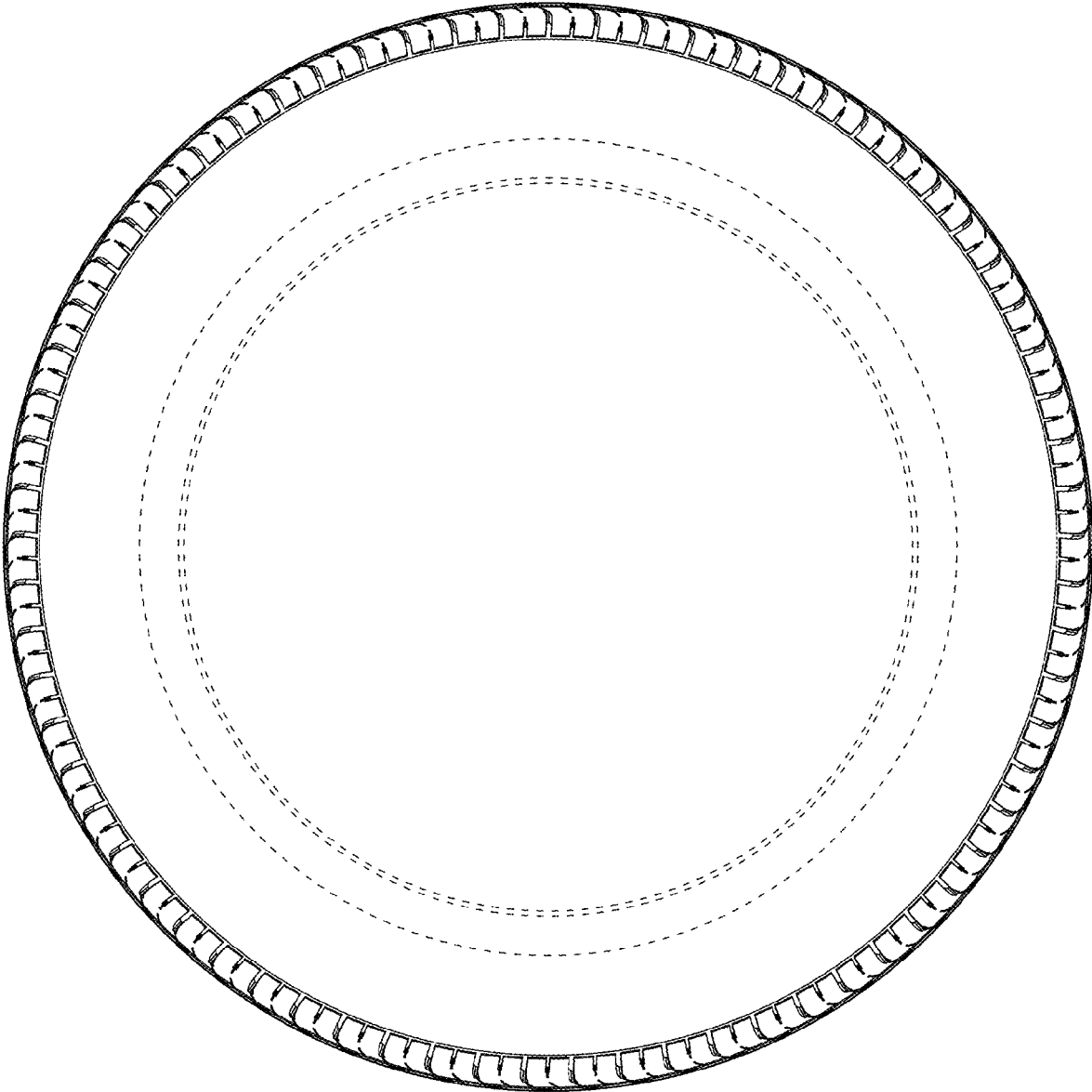


FIG. 7



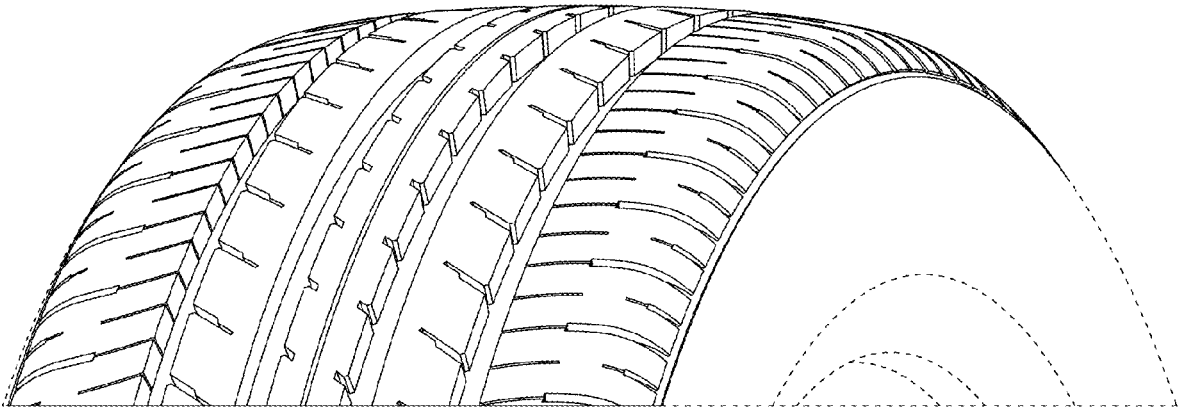


FIG. 8

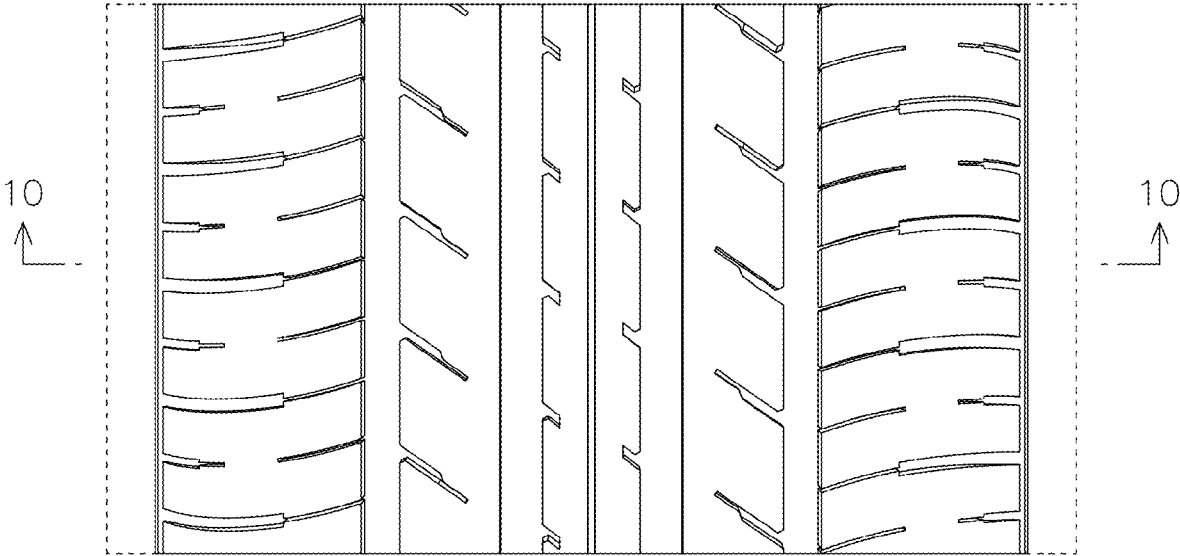


FIG. 9

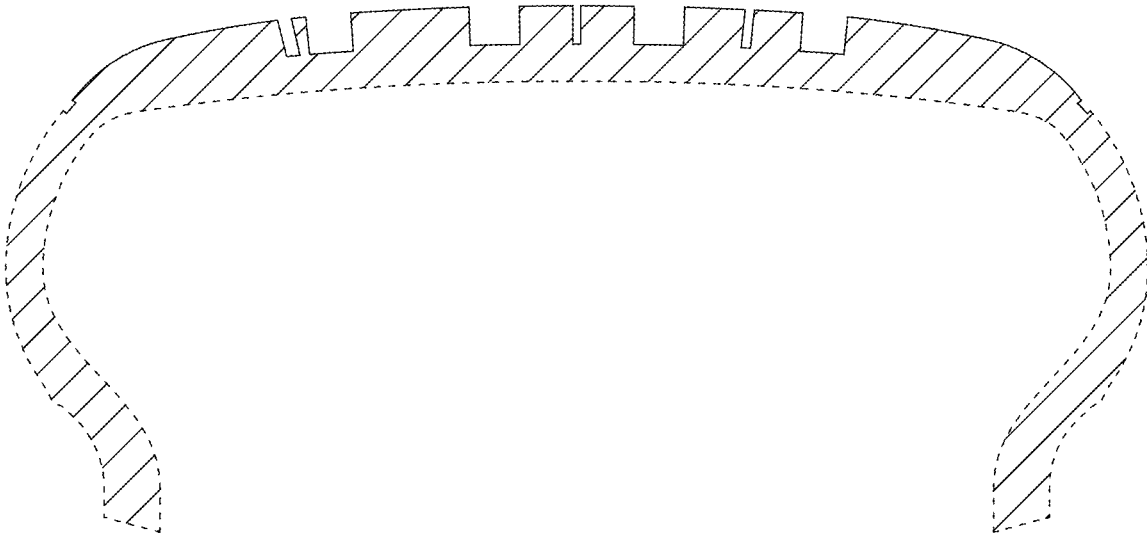


FIG. 10