



US00D355477S

**United States Patent** [19]  
**Yang**

[11] **Patent Number: Des. 355,477**  
[45] **Date of Patent: \*\* Feb. 14, 1995**

[54] **LAWN SPRINKLER**

[75] **Inventor: Ho M. Yang, Taiwan, Taiwan, Prov. of China**

[73] **Assignee: Samuel S. Yang, Orange, Calif.**

[\*\*] **Term: 14 Years**

[21] **Appl. No.: 20,064**

[22] **Filed: Mar. 18, 1994**

[52] **U.S. Cl. .... D23/215**

[58] **Field of Search .... D23/214-219;  
D21/82, 87; 239/211, 242, 237-239, 225.1, 248,  
230-233**

[56] **References Cited**

**U.S. PATENT DOCUMENTS**

2,954,932 10/1960 Albano ..... D23/215  
5,050,801 9/1991 Ferrari ..... 239/211

**OTHER PUBLICATIONS**

Simplex Brochure p. 1 Jul. 3, 1974, Helicopter.

*Primary Examiner*—Wallace R. Burke

*Assistant Examiner*—Robin V. Taylor

*Attorney, Agent, or Firm*—Harris, Wallen, MacDermott & Tinsley

**CLAIM**

[57]

The ornamental design for a lawn sprinkler, as shown and described.

**DESCRIPTION**

FIG. 1 is a front perspective view of a lawn sprinkler showing my new design;

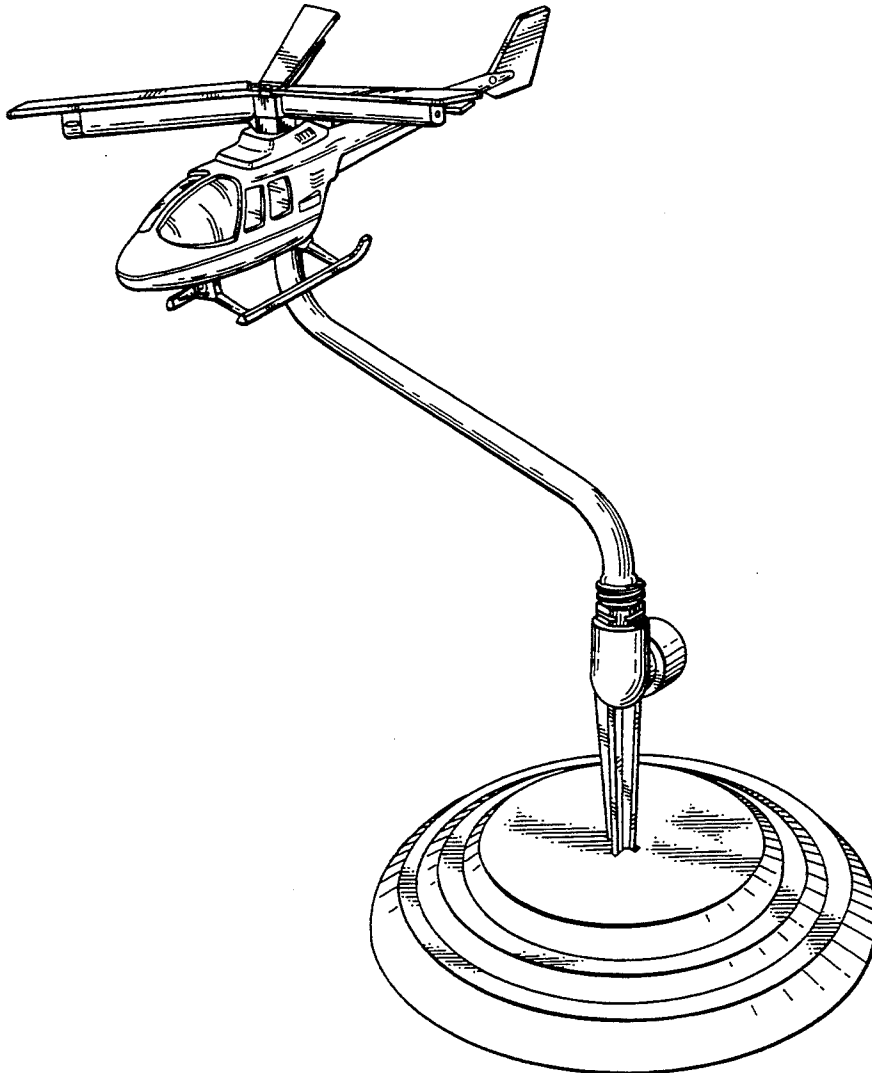
FIG. 2 is a right side view thereof;

FIG. 3 is a front view thereof;

FIG. 4 is a rear view thereof;

FIG. 5 is a top view thereof; and,

FIG. 6 is a bottom view thereof.



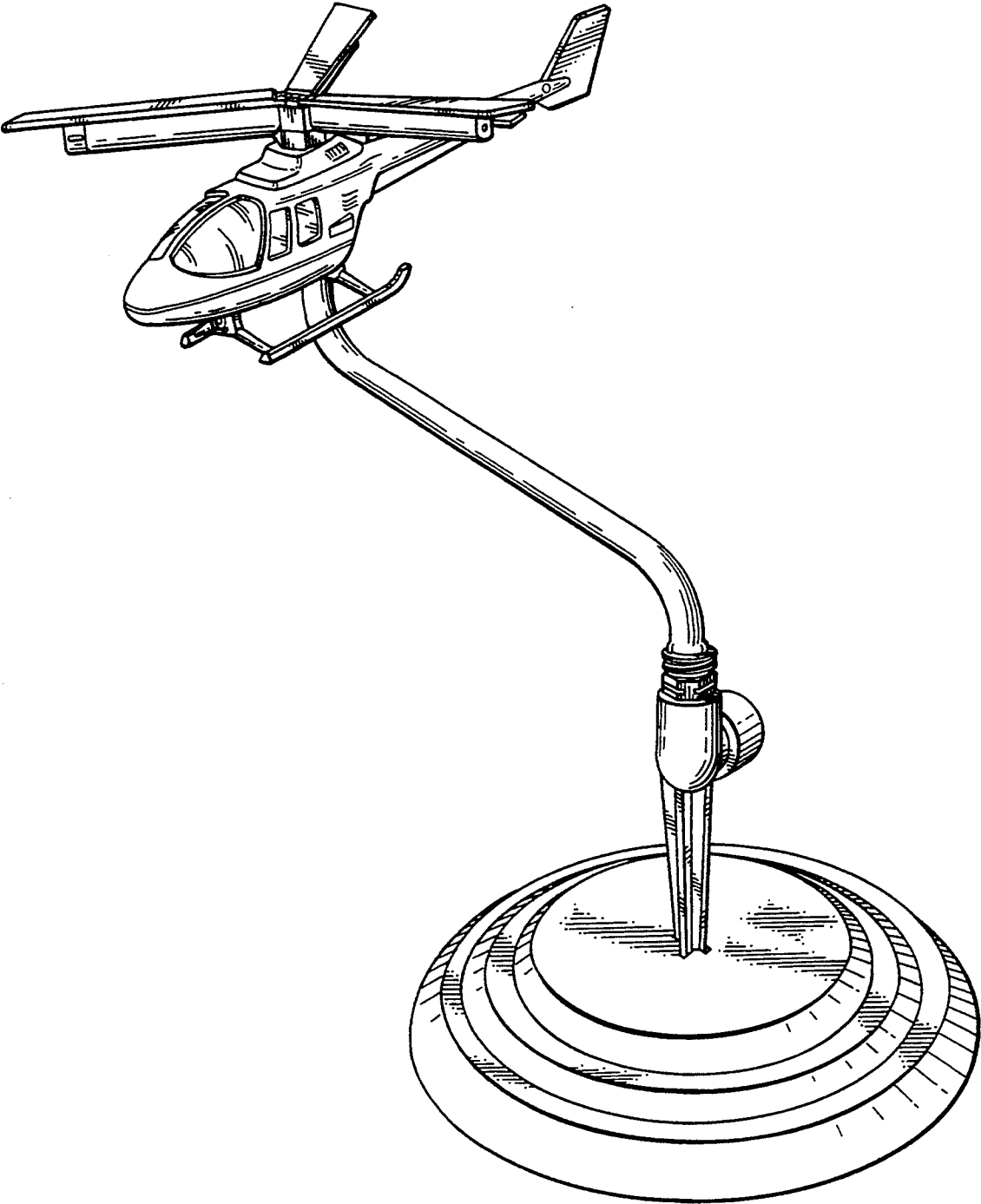


FIG. 1

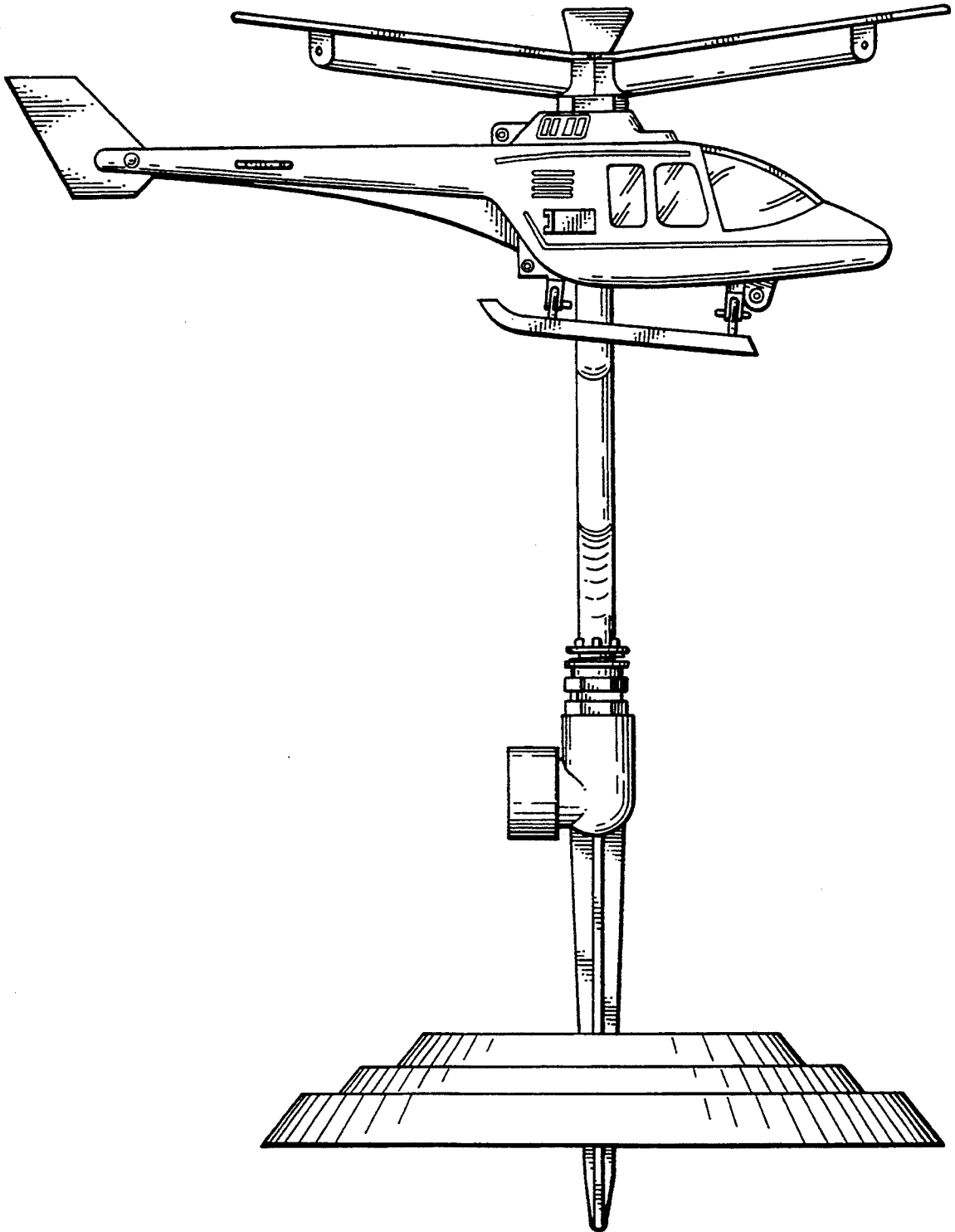


FIG. 2

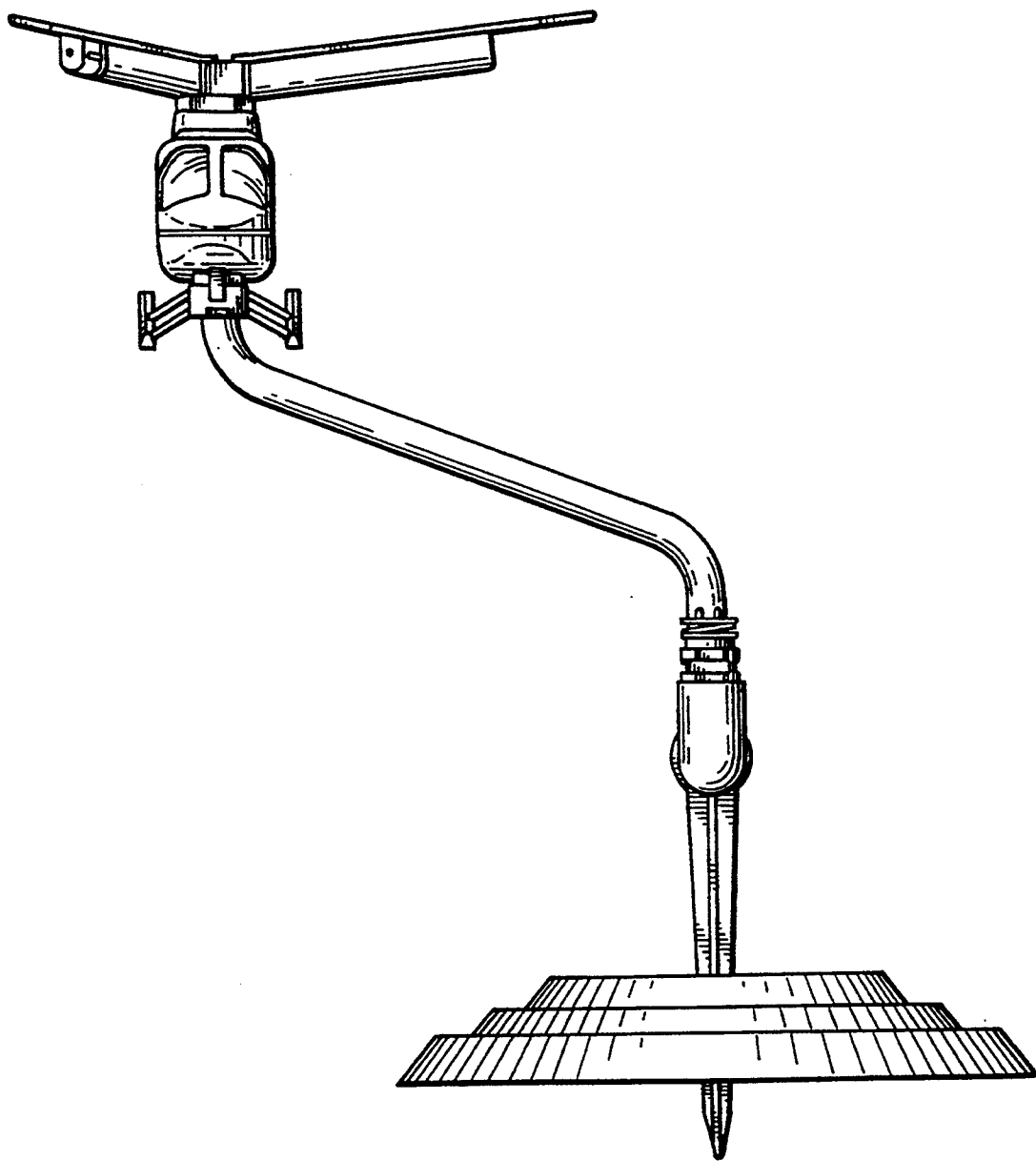


FIG. 3

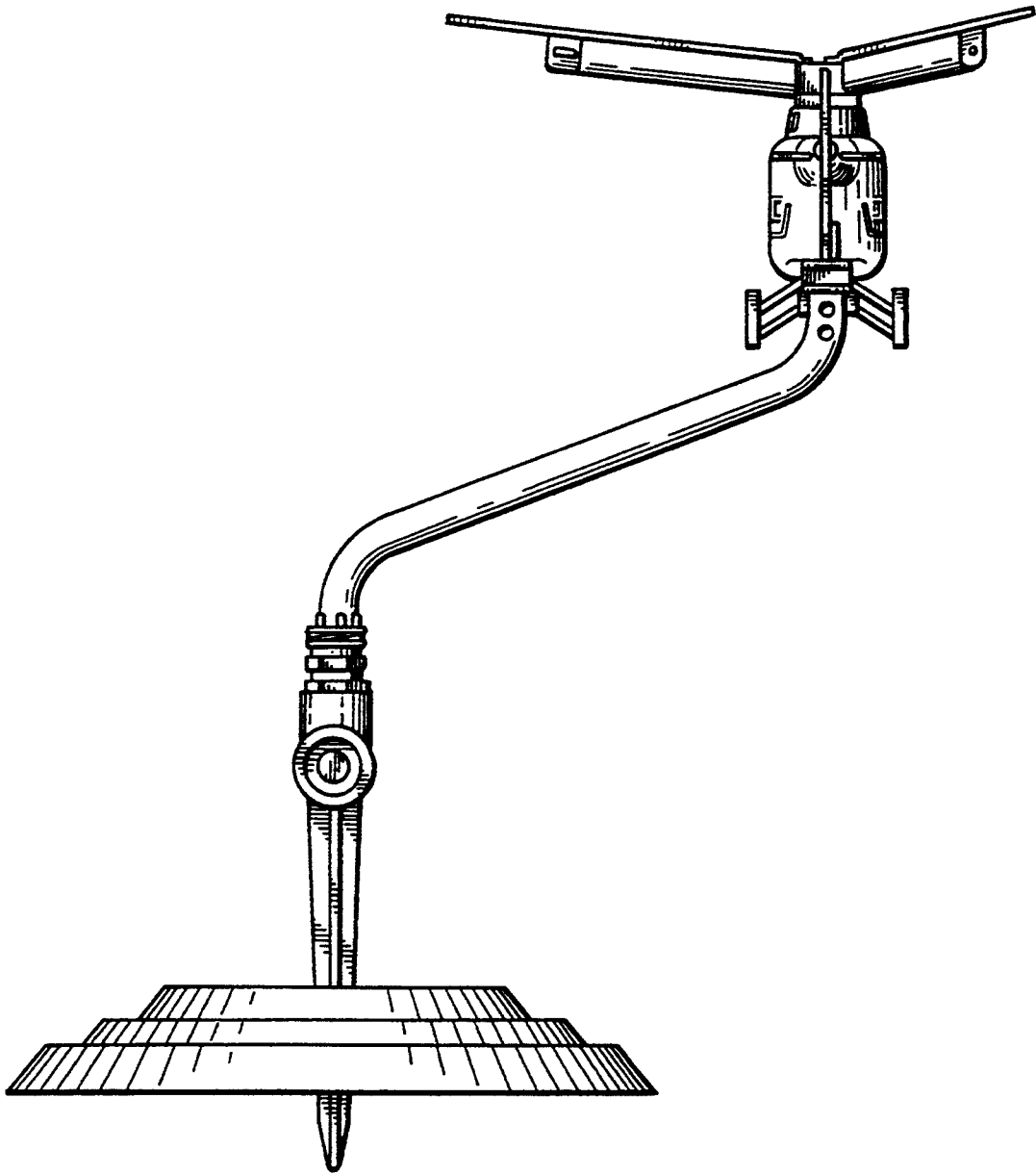


FIG. 4

FIG. 5

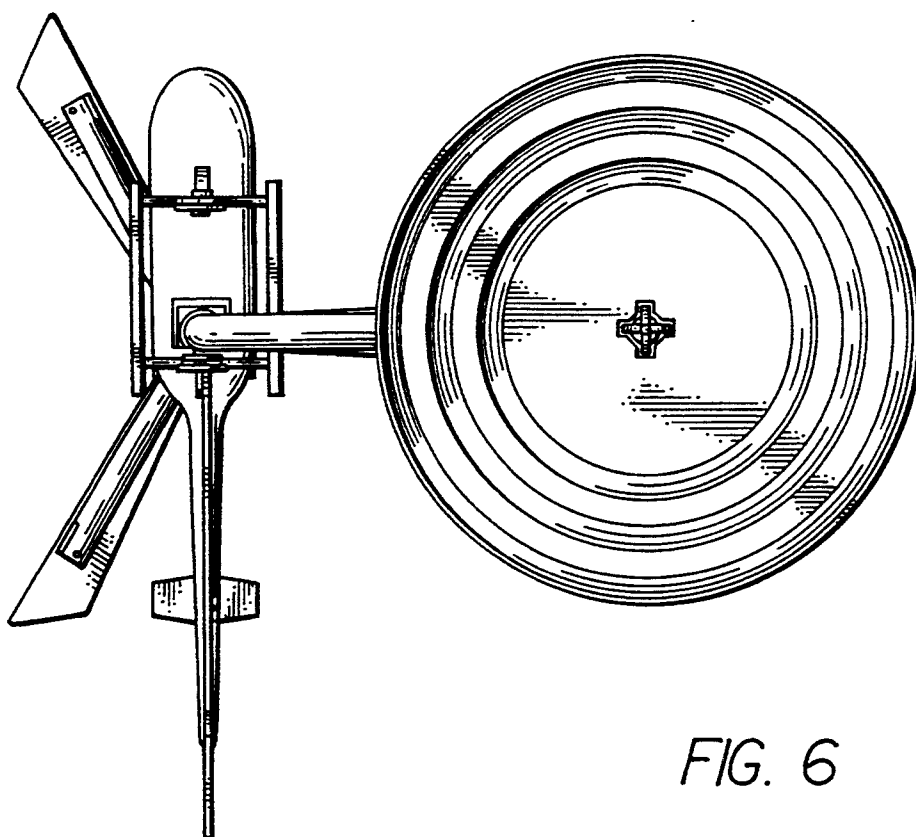
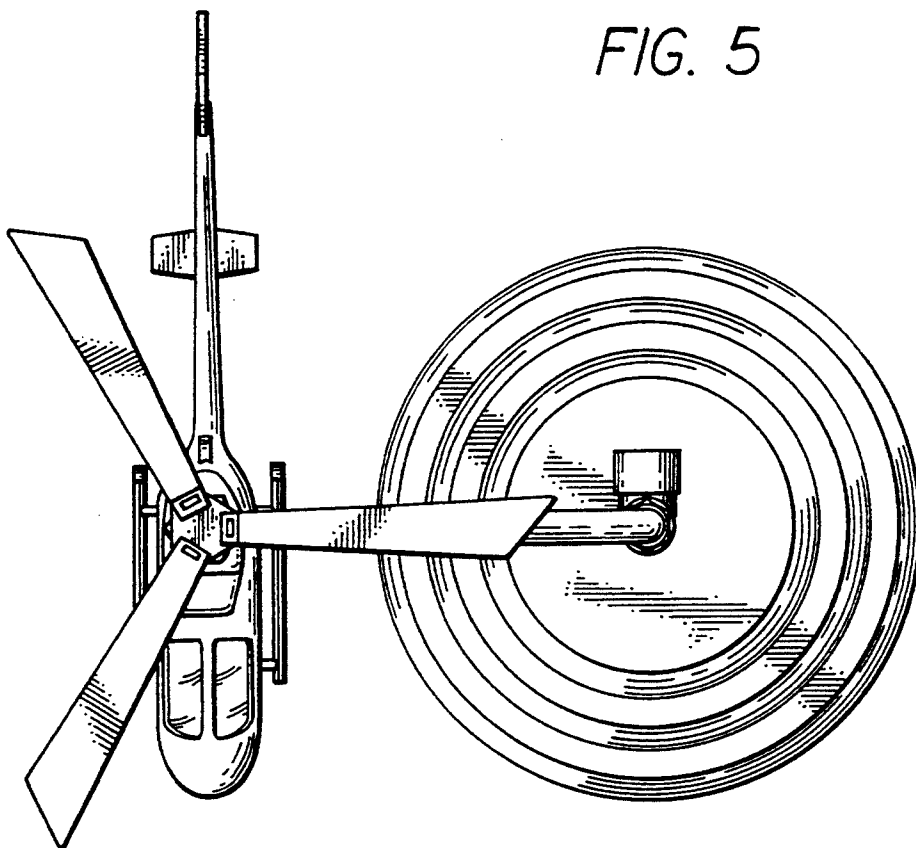


FIG. 6