



US00D711697S

(12) **United States Design Patent**  
**Delgado Carmona et al.**

(10) **Patent No.:** **US D711,697 S**

(45) **Date of Patent:** **\*\* Aug. 26, 2014**

- (54) **TONGS**
- (71) Applicant: **Dart Industries Inc.**, Orlando, FL (US)
- (72) Inventors: **Sarah L Delgado Carmona**, Orlando, FL (US); **Vincent Jalet**, Brussels (BE)
- (73) Assignee: **Dart Industries Inc.**, Orlando, FL (US)
- (\*\*) Term: **14 Years**
- (21) Appl. No.: **29/467,932**
- (22) Filed: **Sep. 25, 2013**
- (51) **LOC (10) Cl.** ..... **07-06**
- (52) **U.S. Cl.**  
USPC ..... **D7/686**
- (58) **Field of Classification Search**  
CPC ..... A47J 43/283  
USPC ..... D7/680-696, 393, 395; 30/322-328,  
30/124, 142, 355; 294/49, 55.5, 26, 118,  
294/119, 99.1, 99.2, 3, 16; 7/110, 109, 113  
See application file for complete search history.

D439,810 S	4/2001	Lambrecht et al.	
D442,440 S *	5/2001	Kaposi .....	D7/686
D468,599 S *	1/2003	Mezger-Bohringer .....	D7/686
D473,111 S	4/2003	Kortleven et al.	
D487,003 S	2/2004	de Groote	
D491,028 S	6/2004	Claypool et al.	
D502,367 S	3/2005	Claypool et al.	
7,086,676 B2	8/2006	Sumter et al.	
D530,994 S *	10/2006	Jarvis et al. ....	D7/686
7,458,622 B2 *	12/2008	Tardif et al. ....	294/16
D592,917 S	5/2009	Jalet et al.	
D597,787 S	8/2009	Jalet et al.	
D618,070 S	6/2010	Jalet et al.	
D618,521 S	6/2010	Jalet et al.	
D618,522 S	6/2010	Jalet et al.	
D618,523 S	6/2010	Jalet et al.	
D664,816 S *	8/2012	Difante .....	D7/686
2001/0033083 A1 *	10/2001	Kaposi .....	294/99.2

\* cited by examiner

*Primary Examiner* — Terry Wallace  
(74) *Attorney, Agent, or Firm* — Taylor J. Ross

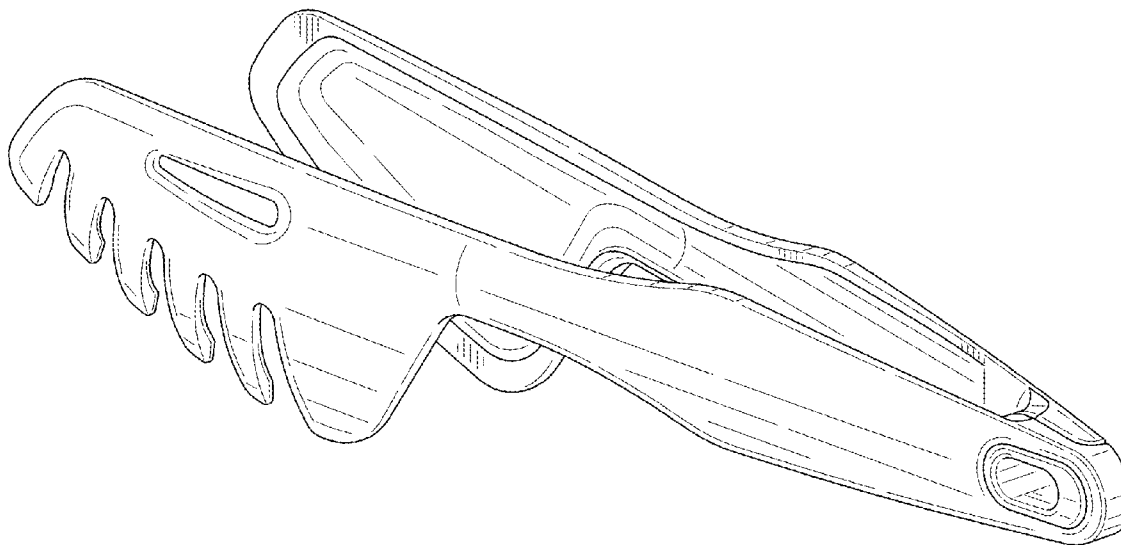
(57) **CLAIM**  
The ornamental design for tongs, as shown and described.

**DESCRIPTION**

FIG. 1 is a top, rear and right side perspective view of the tongs showing our new design;  
FIG. 2 is a bottom, rear and left side perspective view thereof;  
FIG. 3 is a top plan view thereof;  
FIG. 4 is a bottom plan view thereof;  
FIG. 5 is a right side elevation view thereof;  
FIG. 6 is a left side elevation view thereof;  
FIG. 7 is a rear perspective view thereof; and,  
FIG. 8 is a front perspective view thereof.

**1 Claim, 4 Drawing Sheets**

- (56) **References Cited**  
U.S. PATENT DOCUMENTS
- 2,601,766 A \* 7/1952 Riddell et al. .... 30/124
- D189,488 S \* 12/1960 Page .....
- 3,929,363 A \* 12/1975 Kahan .....
- D246,280 S 11/1977 Daenen
- D253,803 S 1/1980 Daenen
- D284,440 S 7/1986 Zieff
- D327,610 S \* 7/1992 Loechel et al. .... D7/686
- D341,998 S \* 12/1993 Tanfoglio .....
- D396,612 S 8/1998 Lillelund et al.
- D406,734 S \* 3/1999 Doherty et al. .... D7/686



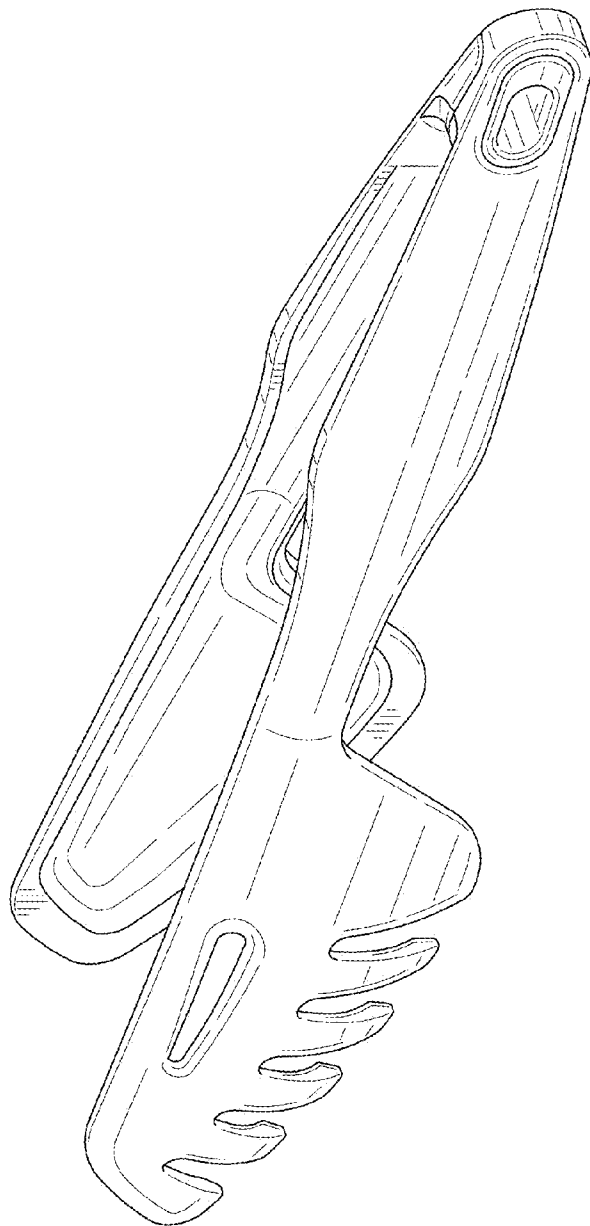


FIG. 1

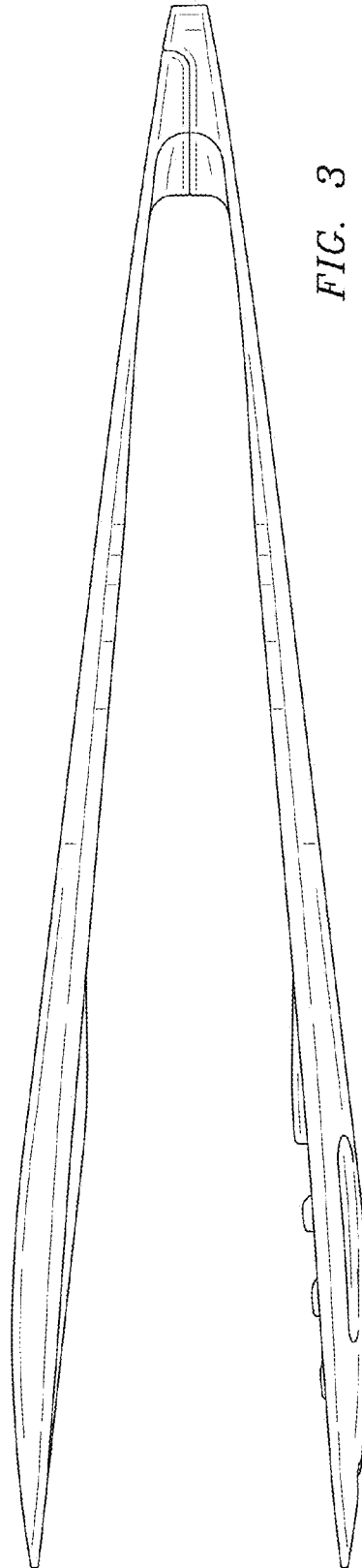


FIG. 3

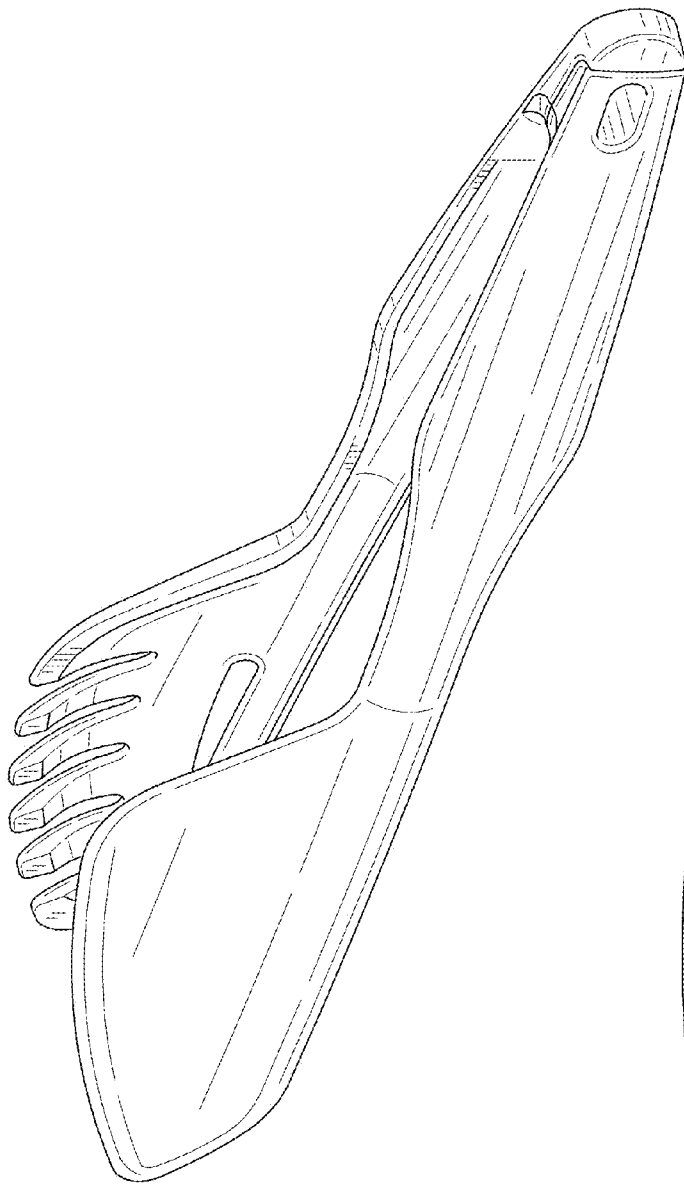


FIG. 2

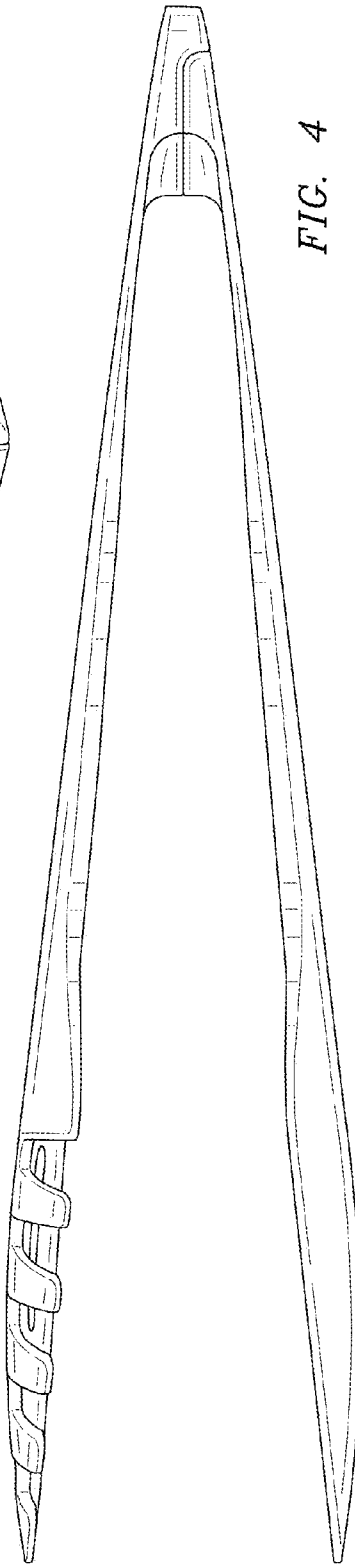


FIG. 4

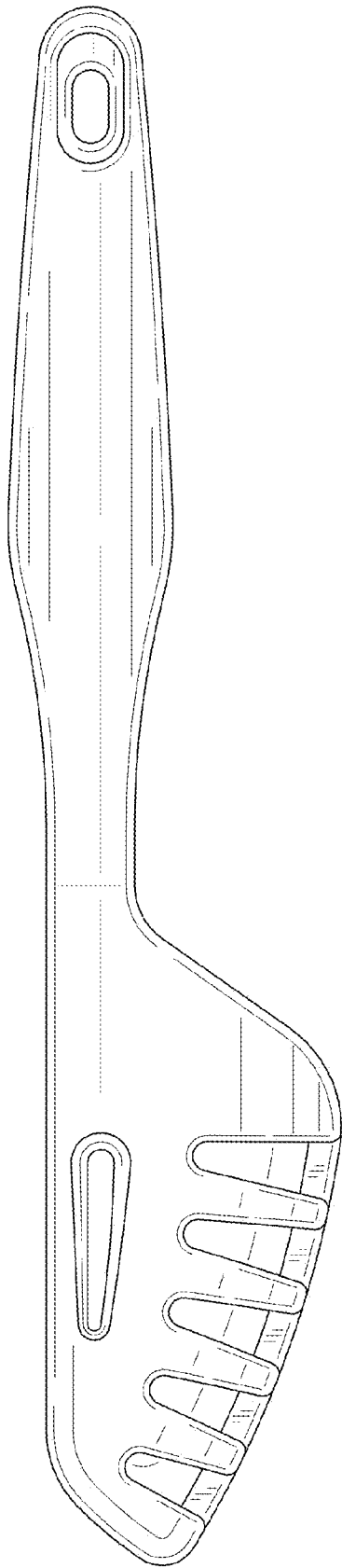


FIG. 5

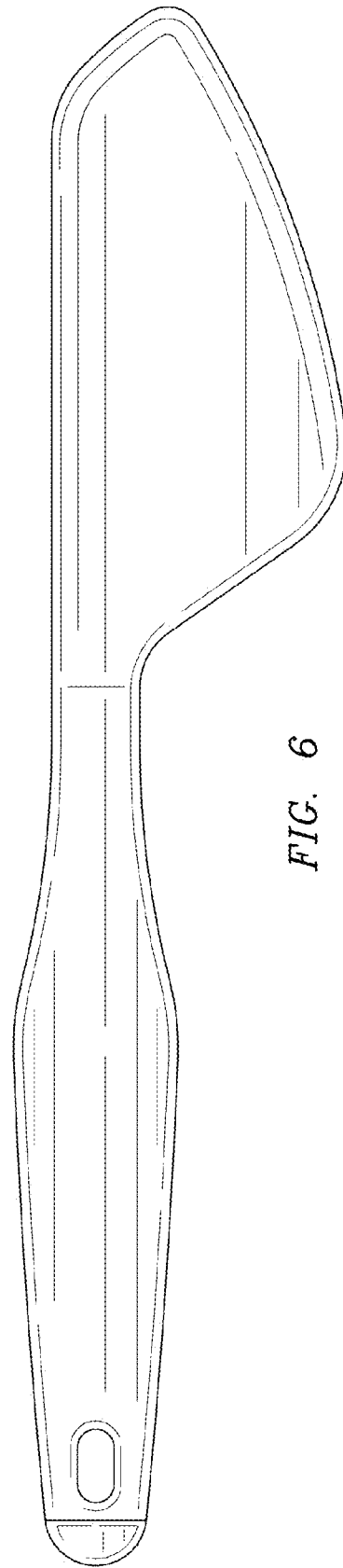


FIG. 6

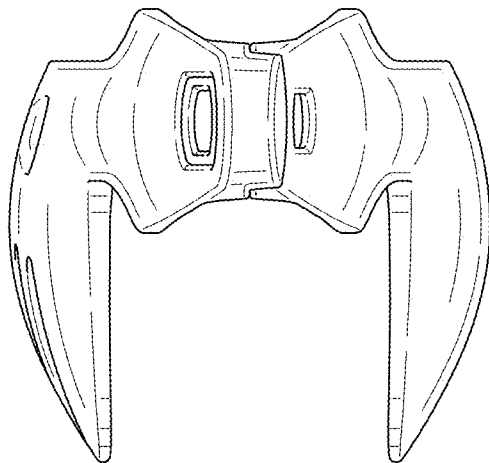


FIG. 7

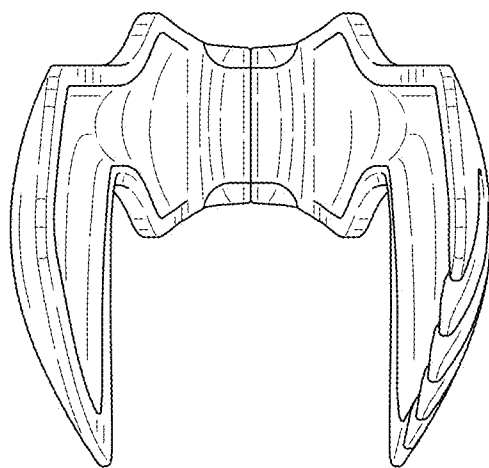


FIG. 8