



US00D720650S

(12) **United States Design Patent**
Kassouni

(10) **Patent No.:** **US D720,650 S**

(45) **Date of Patent:** **** Jan. 6, 2015**

(54) **SPIRAL PLANTER**

(71) Applicant: **Van M. Kassouni**, Grand Rapids, MI
(US)

(72) Inventor: **Van M. Kassouni**, Grand Rapids, MI
(US)

(**) Term: **14 Years**

(21) Appl. No.: **29/475,671**

(22) Filed: **Dec. 5, 2013**

Related U.S. Application Data

(62) Division of application No. 29/454,391, filed on May 9, 2013, now Pat. No. Des. 696,528, which is a division of application No. 29/424,528, filed on Jun. 13, 2012, now Pat. No. Des. 688,896.

(51) **LOC (10) Cl.** **11-02**

(52) **U.S. Cl.**

USPC **D11/143**

(58) **Field of Classification Search**

CPC A47G 7/07; A01G 5/04; A01G 9/12

USPC D6/403-405; D9/428, 429;

D11/143-156, 164; 47/17, 18, 32.7,

47/33, 39, 41.01, 41.11-41.15, 65, 65.5,

47/66.1, 66.6, 66.7, 67-71; D7/531

See application file for complete search history.

(56) **References Cited**

U.S. PATENT DOCUMENTS

986,395	A *	3/1911	King	47/33
1,484,403	A *	2/1924	Miller	47/67
3,384,260	A	5/1968	Buffington	
4,658,541	A	4/1987	Haile	
4,708,256	A *	11/1987	Intardonato	220/23.4
4,788,792	A *	12/1988	Womick	47/41.12
D324,122	S	2/1992	Brussing	
5,251,399	A *	10/1993	Rasmussen	47/39
5,294,012	A *	3/1994	Shott et al.	220/23.4

D355,791	S	2/1995	Briley	
5,458,243	A *	10/1995	McBride	206/503
5,533,302	A *	7/1996	Lynch et al.	47/82
D400,822	S	11/1998	Therrien	
D407,994	S	4/1999	Adinolfi et al.	
6,178,692	B1 *	1/2001	Graven	47/82
D481,971	S	11/2003	Hartelius et al.	
D518,938	S *	4/2006	Freitag	D34/8
D525,166	S *	7/2006	Cordeiro	D11/143
D573,917	S	7/2008	Bigoski	
D579,374	S *	10/2008	Boyette et al.	D6/556

(Continued)

Primary Examiner — Elizabeth Albert

(74) *Attorney, Agent, or Firm* — Gardner, Linn, Burkhardt & Flory, LLP

(57) **CLAIM**

The ornamental design for a spiral planter, as shown and described.

DESCRIPTION

FIG. 1 is a perspective view of a spiral planter in accordance with the present invention, shown in an environment of use;

FIG. 2 is top perspective view thereof;

FIG. 3 is a perspective view thereof, shown in an alternate environment of use;

FIG. 4 is a top perspective view thereof;

FIG. 5 is a top perspective view thereof, shown with the environment removed;

FIG. 6 is a bottom perspective view thereof;

FIG. 7 is a side view thereof;

FIG. 8 is an opposite side view thereof;

FIG. 9 is an end view thereof;

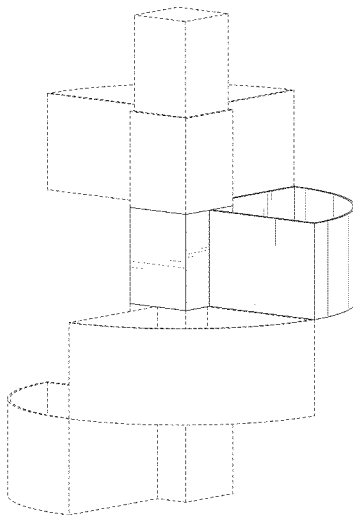
FIG. 10 is an opposite end view thereof;

FIG. 11 is a top plan view thereof; and,

FIG. 12 is a bottom plan view thereof.

The broken lines in the figures are included to show environmental features and portions of the spiral planter that form no part of the claimed design.

1 Claim, 8 Drawing Sheets



US D720,650 S

Page 2

(56)

References Cited

U.S. PATENT DOCUMENTS

D603,181 S	11/2009	Carlington			
D638,743 S	5/2011	Bouchard et al.			
D644,560 S *	9/2011	Hashimoto	D11/143	* cited by examiner	
					D658,537 S 5/2012 Simmons
					D658,916 S 5/2012 Roverso et al.
					D688,896 S 9/2013 Kassouni
					2010/0072102 A1* 3/2010 Jung 206/503
					2013/0047506 A1 2/2013 Sheaffer et al.

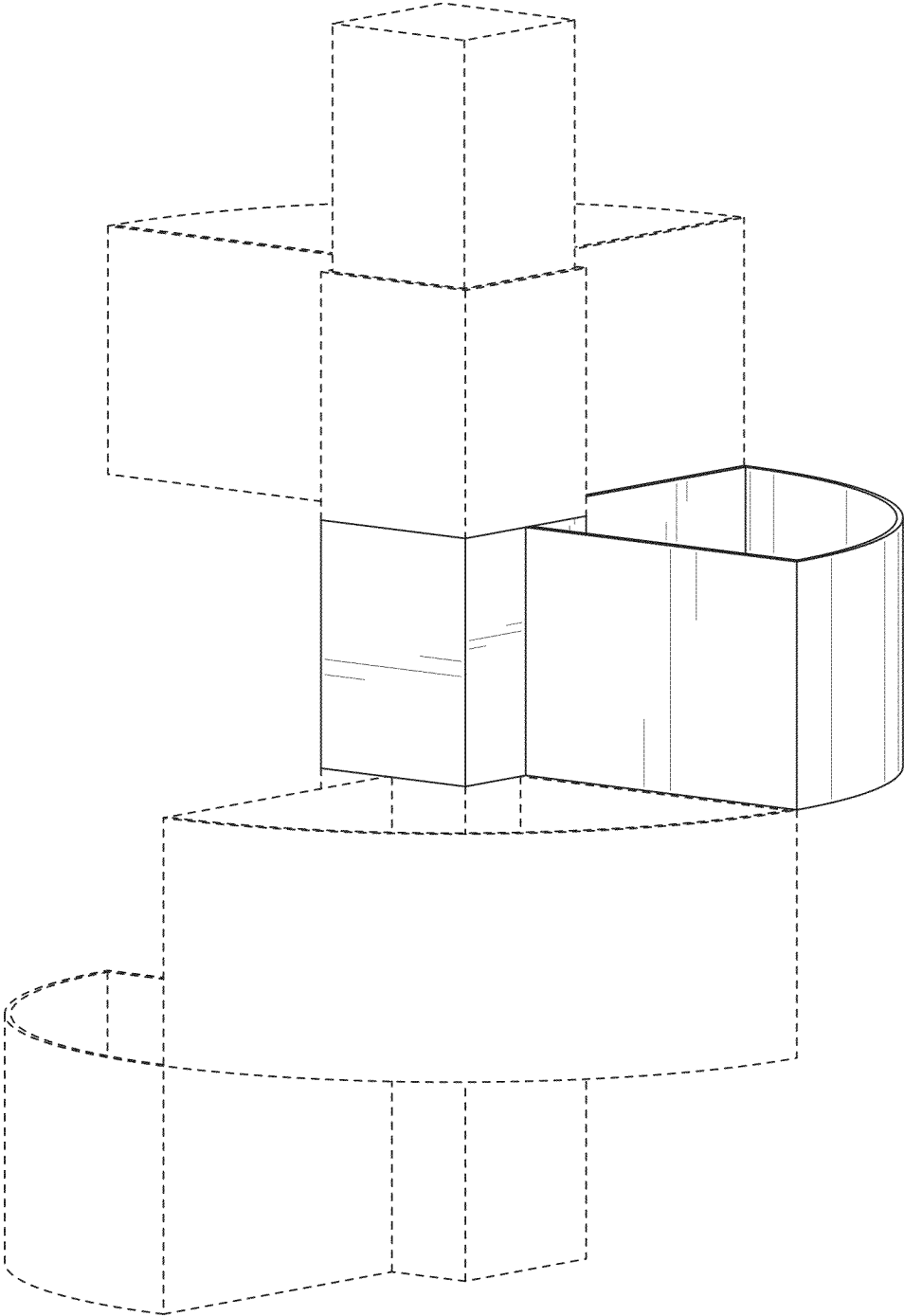


FIG. 1

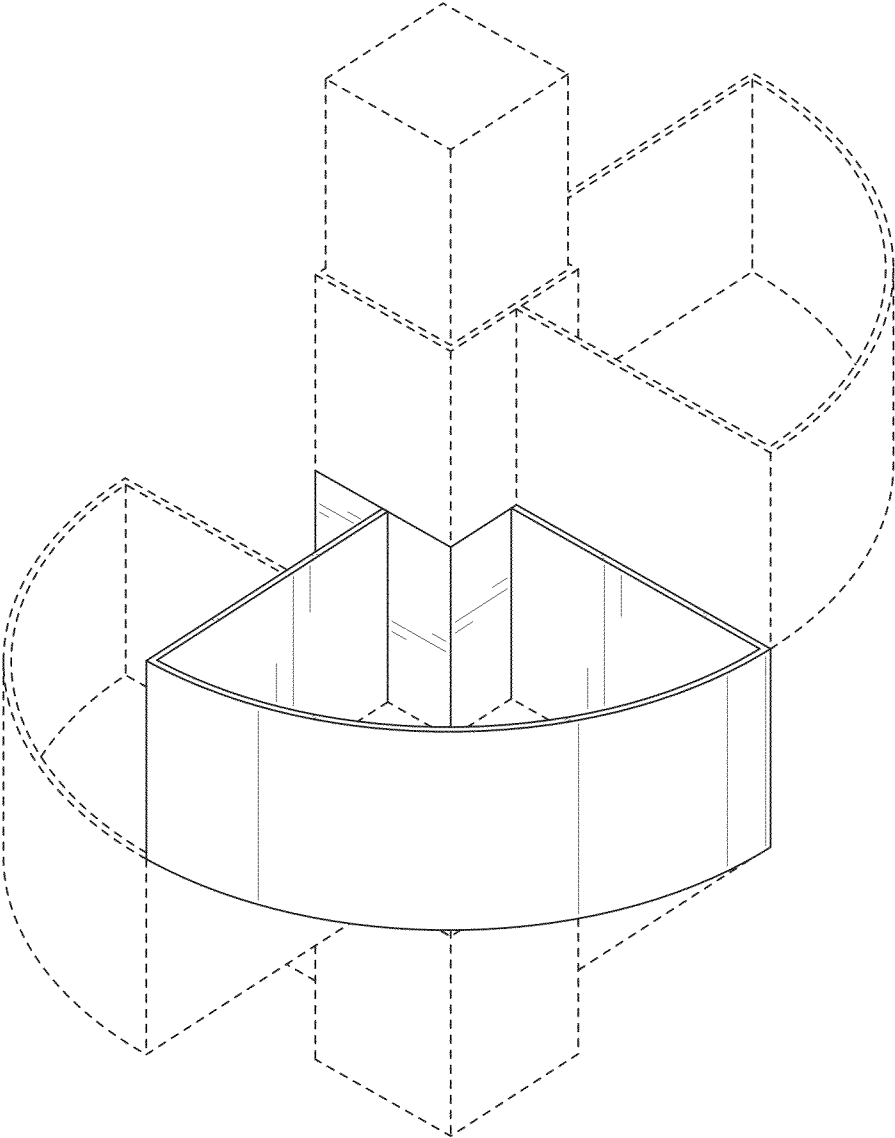


FIG. 2

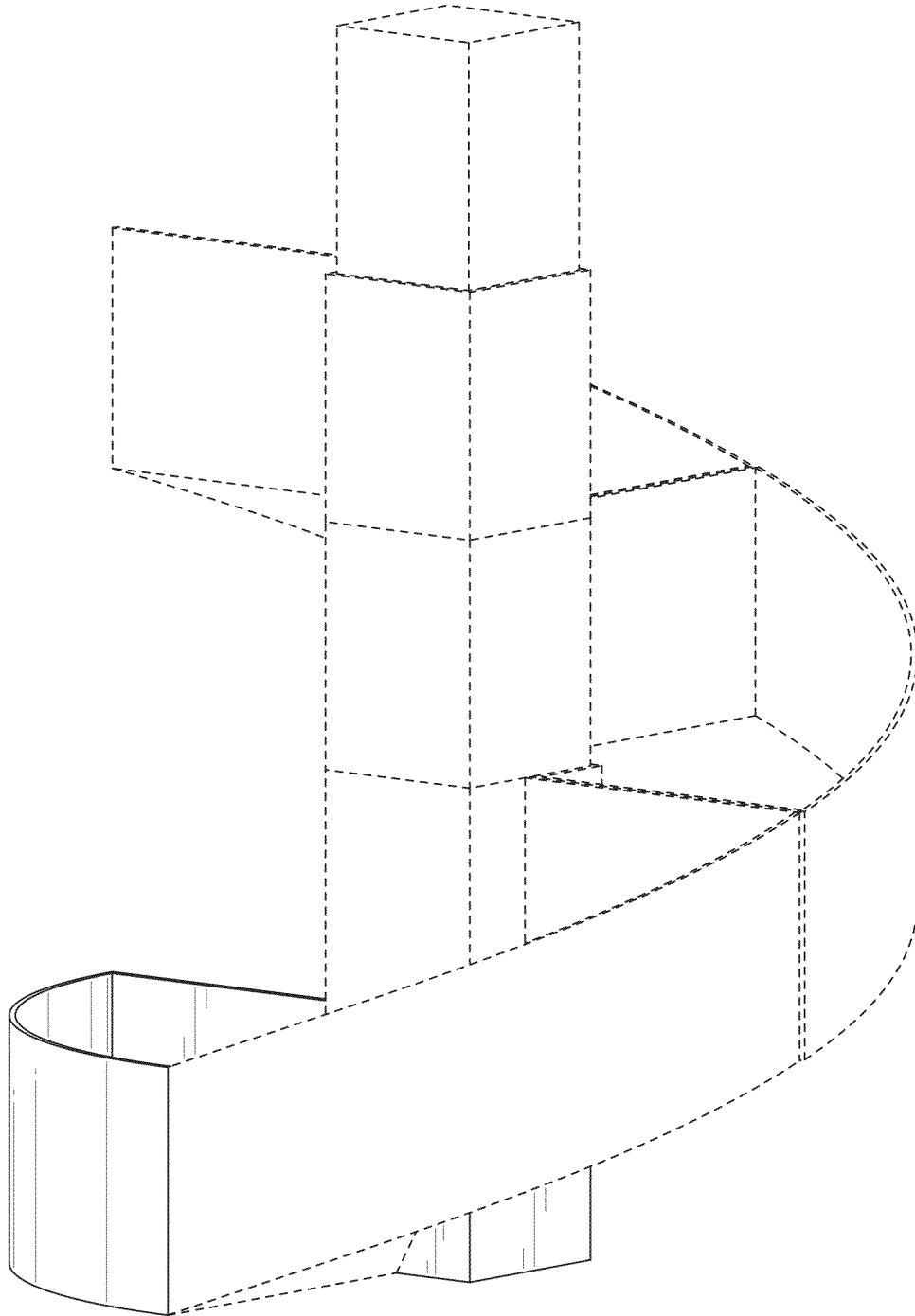


FIG. 3

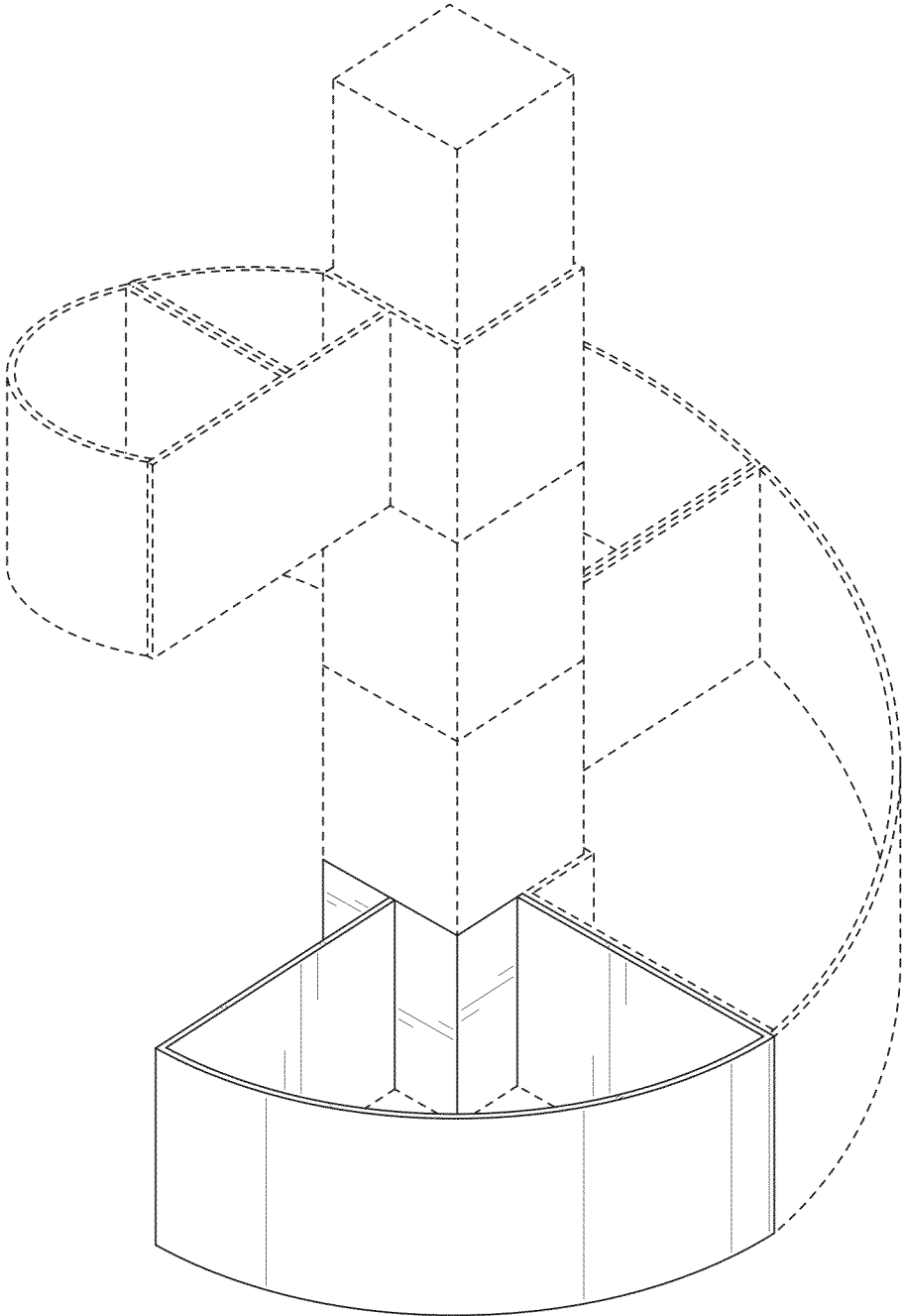


FIG. 4

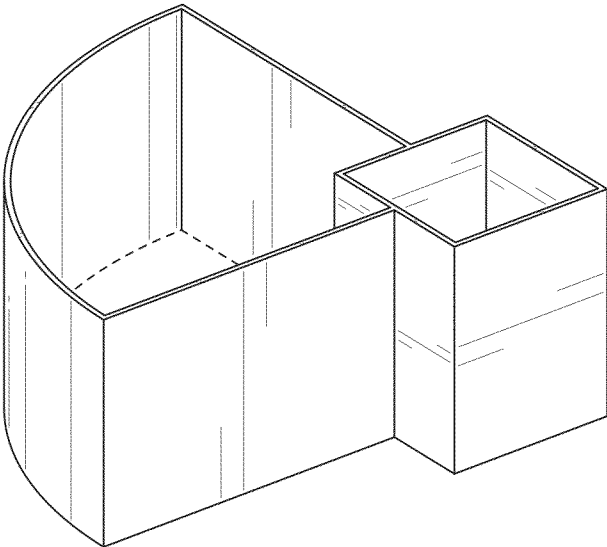


FIG. 5

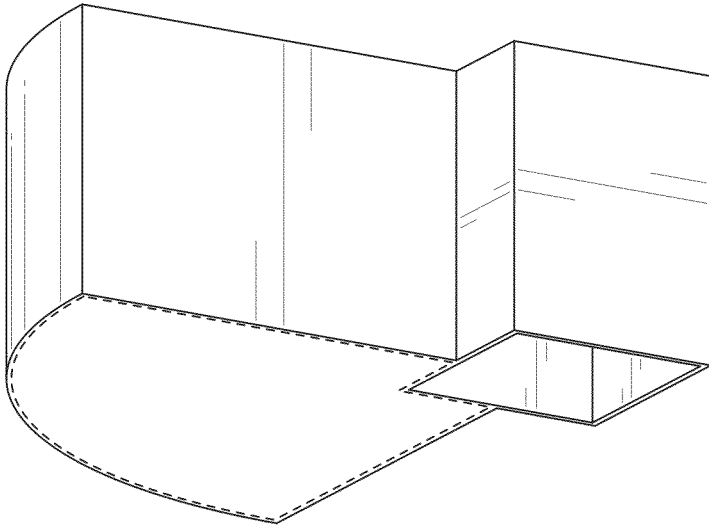


FIG. 6

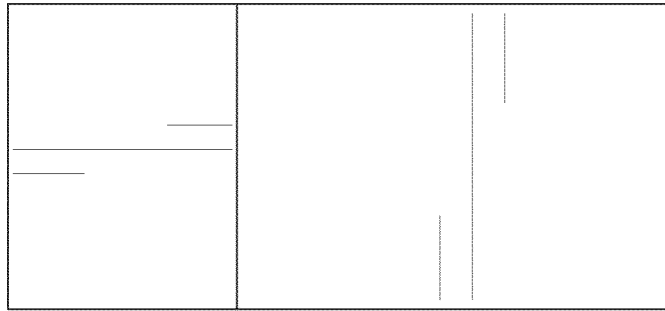


FIG. 7

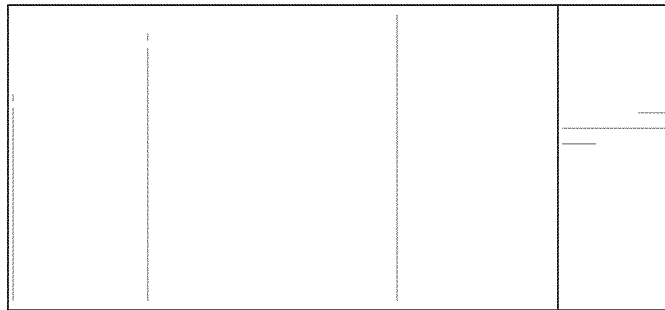


FIG. 8

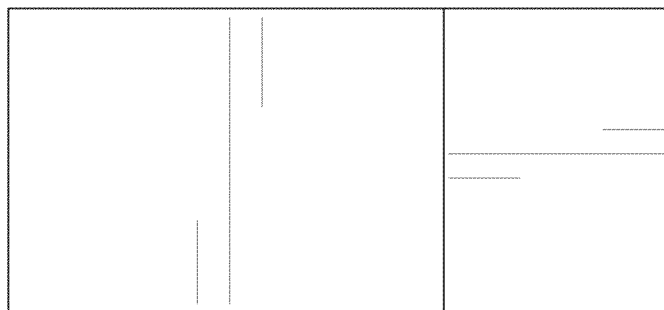


FIG. 9

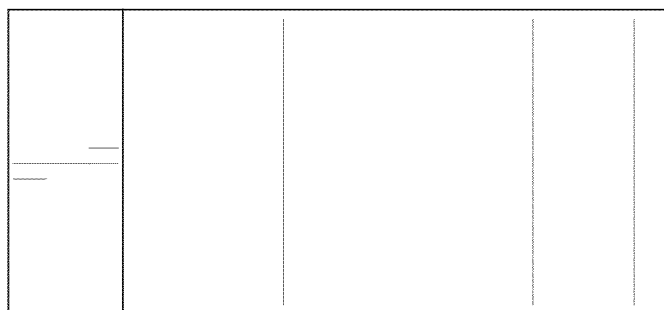


FIG. 10

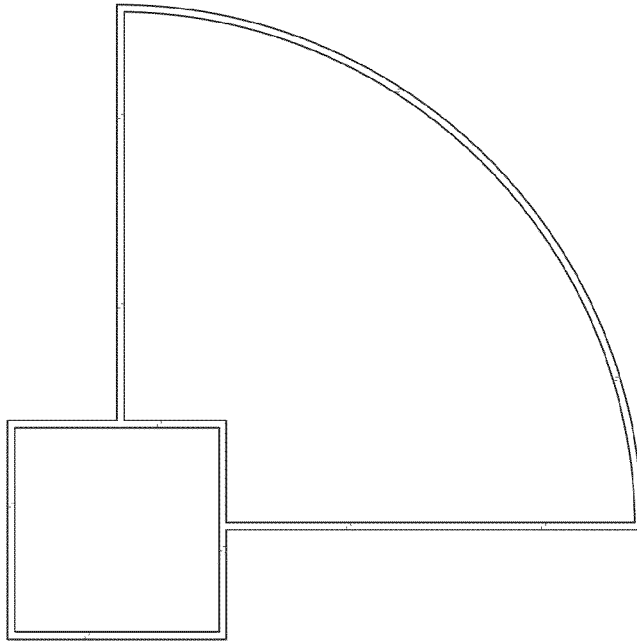


FIG. 11

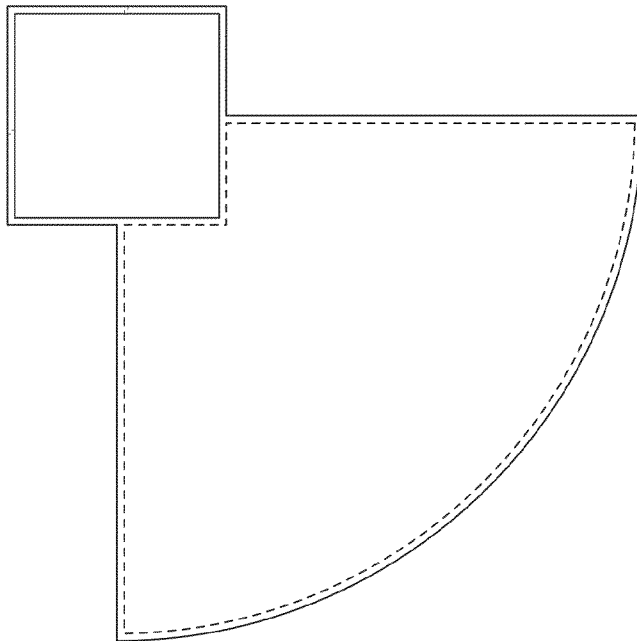


FIG. 12

UNITED STATES PATENT AND TRADEMARK OFFICE
CERTIFICATE OF CORRECTION

PATENT NO. : D720,650 S
APPLICATION NO. : 29/475671
DATED : January 6, 2015
INVENTOR(S) : Van M. Kassouni

Page 1 of 1

It is certified that error appears in the above-identified patent and that said Letters Patent is hereby corrected as shown below:

On the title page item (62), under the “Related U.S. Application Data”, please correct the following:

“(62) Division of application No. 29/454,391, filed on May 9, 2013, now Pat. No. Des. 696,528, which is a division of application No. 29/424,528, filed on Jun. 13, 2012, now Pat. No. Des. 688,896.” should be

--(62) Continuation of application No. 29/454,391, filed on May 9, 2013, now Pat. No. Des. 696,528, which is a division of application No. 29/424,528, filed on Jun. 13, 2012, now Pat. No. Des. 688,896.--

Signed and Sealed this
Eighth Day of September, 2015



Michelle K. Lee
Director of the United States Patent and Trademark Office