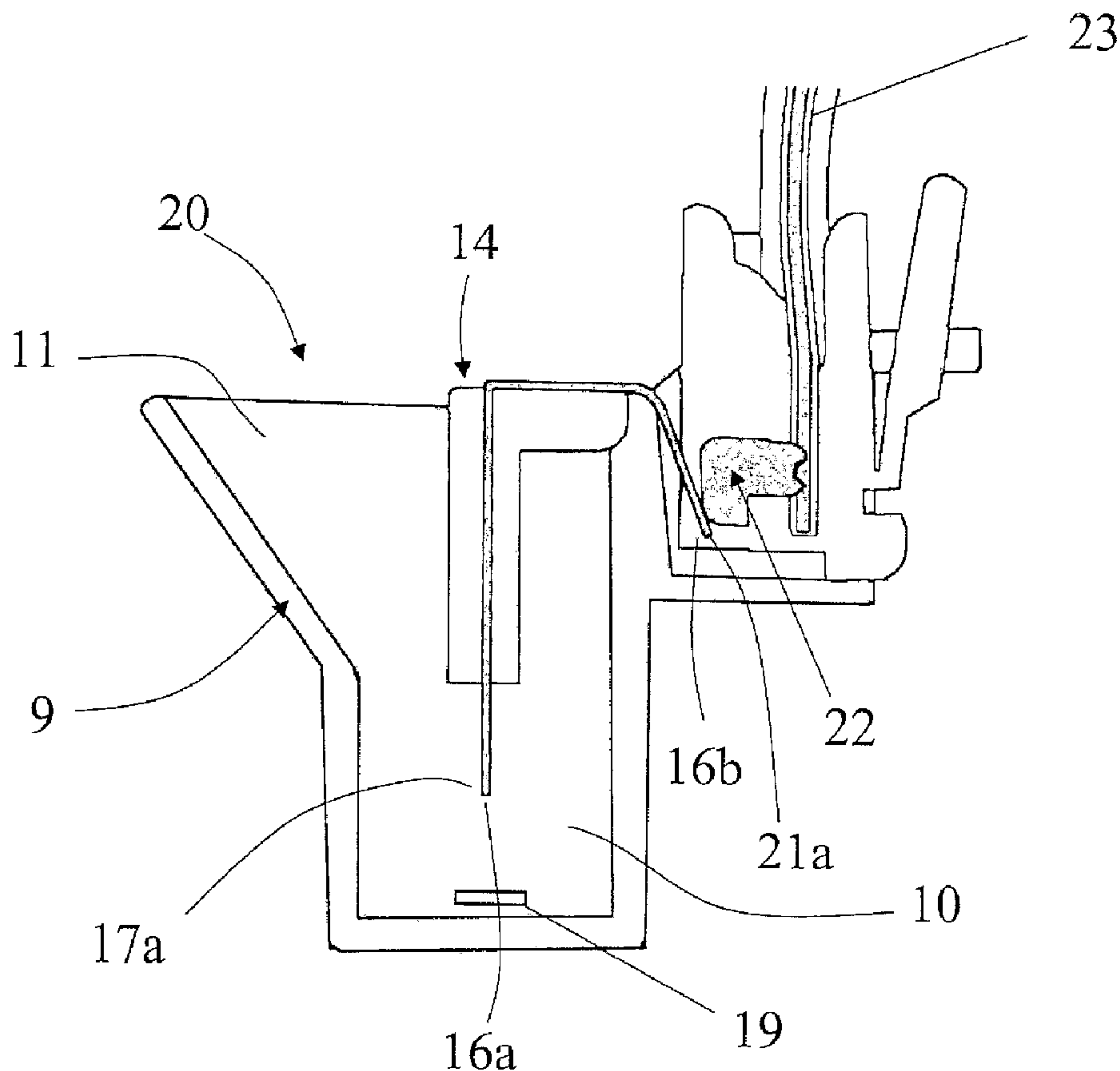




(86) Date de dépôt PCT/PCT Filing Date: 2003/12/16  
 (87) Date publication PCT/PCT Publication Date: 2005/06/30  
 (85) Entrée phase nationale/National Entry: 2006/05/26  
 (86) N° demande PCT/PCT Application No.: EP 2003/014329  
 (87) N° publication PCT/PCT Publication No.: 2005/059532

(51) Cl.Int./Int.Cl. *G01N 27/07* (2006.01),  
*G01N 33/49* (2006.01), *G01N 33/86* (2006.01)  
 (71) Demandeur/Applicant:  
 DYNABYTE INFORMATIONSSYSTEME GMBH, DE  
 (72) Inventeurs/Inventors:  
 CALATZIS, ANDREAS, DE;  
 KRUEGER, BEN, DE;  
 WITTEW, MARC, DE  
 (74) Agent: SIM & MCBURNEY

(54) Titre : DISPOSITIF DE CARTOUCHE POUR ANALYSE DE SANG  
 (54) Title: CARTRIDGE DEVICE FOR BLOOD ANALYSIS



(57) **Abrégé/Abstract:**

The present invention provides a cartridge device (20) comprising a receiving portion (10) for receiving a blood sample and a jack portion (18) for receiving a plug (22); a stirring device (19) for circulating said blood sample within said receiving portion (10); and

(57) **Abrégé(suite)/Abstract(continued):**

an electrode holder (14) having at least one incorporated electrode wire pair (16; 24; 25; 26); wherein the electrode holder (14) is attachable to the cell (9) such that one end (16a; 24a; 25a; 26a) of the at least one electrode wire pair (16; 24; 25; 26) forms a sensor unit (17a; 17b; 17c; 17d) for measuring the electrical impedance between the two electrode wires of the at least one electrode wire pair (16; 24; 25; 26) within the blood sample and that the opposite end (16b; 24b; 25b; 26b) of the at least one electrode wire pair (16; 24; 25; 26) forms a plug portion (21a; 21b; 21c; 21d) being connectable directly to the plug (22) for an electrical connection of the sensor unit (17a; 17b; 17c; 17d) to an analyser.

## (12) INTERNATIONAL APPLICATION PUBLISHED UNDER THE PATENT COOPERATION TREATY (PCT)

(19) World Intellectual Property  
Organization  
International Bureau



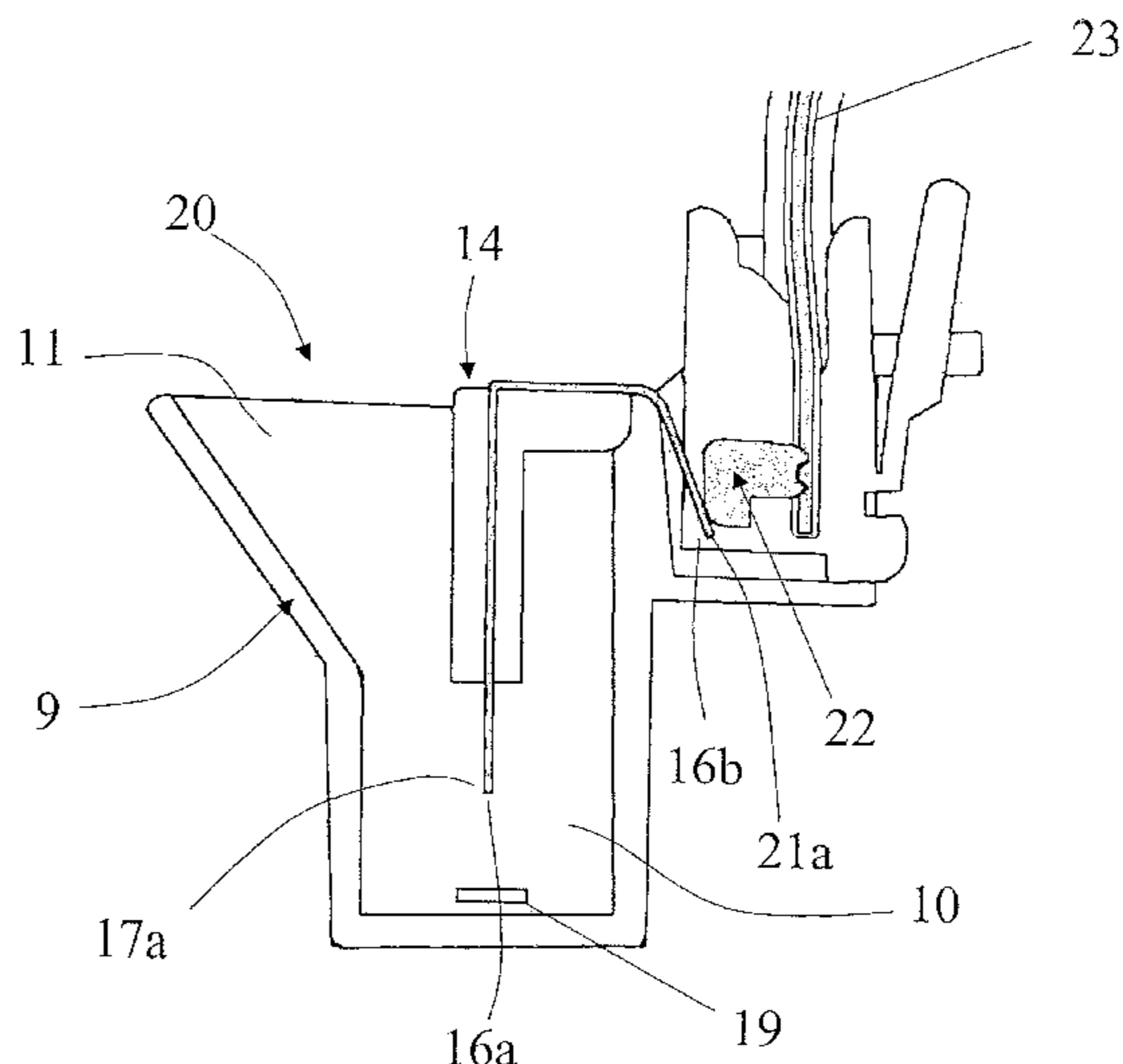
(43) International Publication Date  
30 June 2005 (30.06.2005)

PCT

(10) International Publication Number  
**WO 2005/059532 A1**

- (51) International Patent Classification<sup>7</sup>: **G01N 27/07**, 33/86, 33/49
- (74) Agent: **PECKMANN, Ralf**; Friedrichstrasse 31, 80801 München (DE).
- (21) International Application Number: PCT/EP2003/014329
- (81) Designated States (*national*): AE, AG, AL, AM, AT, AU, AZ, BA, BB, BG, BR, BY, BZ, CA, CH, CN, CO, CR, CU, CZ, DE, DK, DM, DZ, EC, EE, EG, ES, FI, GB, GD, GE, GH, GM, HR, HU, ID, IL, IN, IS, JP, KE, KG, KP, KR, KZ, LC, LK, LR, LS, LT, LU, LV, MA, MD, MG, MK, MN, MW, MX, MZ, NI, NO, NZ, OM, PG, PH, PL, PT, RO, RU, SC, SD, SE, SG, SK, SL, SY, TJ, TM, TN, TR, TT, TZ, UA, UG, US, UZ, VC, VN, YU, ZA, ZM, ZW.
- (22) International Filing Date: 16 December 2003 (16.12.2003)
- (25) Filing Language: English
- (84) Designated States (*regional*): ARIPO patent (GH, GM, KE, LS, MW, MZ, SD, SL, SZ, TZ, UG, ZM, ZW), Eurasian patent (AM, AZ, BY, KG, KZ, MD, RU, TJ, TM), European patent (AT, BE, BG, CH, CY, CZ, DE, DK, EE, ES, FI, FR, GB, GR, HU, IE, IT, LU, MC, NL, PT, RO, SE, SI, SK, TR), OAPI patent (BF, BJ, CF, CG, CI, CM, GA, GN, GQ, GW, ML, MR, NE, SN, TD, TG).
- (26) Publication Language: English
- (71) Applicant (*for all designated States except US*): **DYNABYTE INFORMATIONSSYSTEME GMBH** [DE/DE]; Kreillerstrasse 13a, 81673 München (DE).
- (72) Inventors; and
- (75) Inventors/Applicants (*for US only*): **CALATZIS, Andreas** [DE/DE]; Kreillerstrasse 13a, 81673 München (DE). **KRÜGER, Ben** [DE/DE]; Winzererstrasse 176, 80797 München (DE). **WITWERT, Marc** [DE/DE]; Eisebeckstrasse 25, 80637 München (DE).
- Published:**  
— with international search report
- For two-letter codes and other abbreviations, refer to the "Guidance Notes on Codes and Abbreviations" appearing at the beginning of each regular issue of the PCT Gazette.*

(54) Title: CARTRIDGE DEVICE FOR BLOOD ANALYSIS



(57) Abstract: The present invention provides a cartridge device (20) comprising a receiving portion (10) for receiving a blood sample and a jack portion (18) for receiving a plug (22); a stirring device (19) for circulating said blood sample within said receiving portion (10); and an electrode holder (14) having at least one incorporated electrode wire pair (16; 24; 25; 26); wherein the electrode holder (14) is attachable to the cell (9) such that one end (16a; 24a; 25a; 26a) of the at least one electrode wire pair (16; 24; 25; 26) forms a sensor unit (17a; 17b; 17c; 17d) for measuring the electrical impedance between the two electrode wires of the at least one electrode wire pair (16; 24; 25; 26) within the blood sample and that the opposite end (16b; 24b; 25b; 26b) of the at least one electrode wire pair (16; 24; 25; 26) forms a plug portion (21a; 21b; 21c; 21d) being connectable directly to the plug (22) for an electrical connection of the sensor unit (17a; 17b; 17c; 17d) to an analyser.

WO 2005/059532 A1

5 CARTRIDGE DEVICE FOR BLOOD ANALYSIS

BACKGROUND OF THE INVENTION

10 The present invention relates to a cartridge device for blood analysis and a method for testing platelet functions.

15 Though the present invention can be used in many fields of measuring fluids it will be described in regard to measuring the platelet function of blood in the following.

20 Blood consists of cells suspended in so called plasma, a protein rich fluid. The major groups of cells in the blood are red cells, white cells and platelets. The platelets are responsible for plugging gaps or holes in the blood vessel wall. This is achieved by a mechanism called aggregation-adhesion reaction. When the platelets aggregate, they become sticky and, as a result thereof, they stick to each another and to the damaged tissue. Usually  
25 this happens when the platelets come into contact with certain materials and chemicals, especially those related to damaged cells.

30 Platelet adhesion to injured blood vessels is an essential property in order to close wounds and thus to ensure survival of the organism after for example a trauma.

However the adhesion and aggregation of platelets can also be extremely dangerous when the platelets mistake an aged or inflamed vessel for a vascular injury and thus impair blood flow in tissues of vital importance. Such processes  
5 take place during a myocardial infarction or a stroke, diseases which account for more deaths in the industrialised nations than infectious diseases or cancer.

An increasing number of patients who have suffered  
10 myocardial infarction or stroke as well as patients who are at high risk for these events is treated for a reduced tendency of their platelets to aggregate with substances called "anti-platelet agents". Besides their beneficial effect - to reduce the incidence of platelets closing  
15 vitally important vessels - these drugs may also induce bleeding. However a larger danger is due to the fact that in some of the patients the drugs seem not to work properly. Current studies have shown that up to 25% of the patients treated do not adequately respond to this  
20 treatment.

It is thus not only of scientific interest, but also of high clinical importance to be able to test the function of the platelets and the individual response to drugs  
25 which interfere with their activation. Several techniques according to the prior art are used to analyse platelet functions or the action of anti-platelet drugs.

An early but still widely used development is the Born  
30 aggregometer which measures the change of light transmission of platelet-rich plasma (PRP) during the process of aggregation. Platelet rich-plasma is obtained by centrifu-

gation of anticoagulated blood at a relatively low speed, which removes the heavy (hemoglobin-filled) red cells from the plasma, but leaves the much lighter platelets in the solution. Because of the platelet content the light  
5 transmission of PRP is relatively low. When the platelets aggregate the optical density is reduced, because the platelets form few large aggregates, which interfere much less with the light transmitted through the sample.

10 A disadvantage of this technique is the necessity of producing PRP, whose extraction is a complicated, time-consuming and thus expensive procedure. Furthermore, the aggregation of platelets is not measured in its natural environment, blood, thus the influence of red and white  
15 cells on the platelets is not measured.

Other methods disclosed in documents US 4,604,894 of Kratzer and Born, US 6,010,911 of Baugh et al. and US 5,922,551 of Durbin et al. require relatively complex and  
20 expensive cartridges interfering with the use of these techniques for routine testing.

Document U.S. Pat. No. 4,319,194 of Cardinal et al. discloses a platelet aggregation analysis typically  
25 performed in whole blood by measuring the electric impedance between two electrodes, being immersed in a sample. During initial contact with the blood or PRP, the electrodes are coated with a monolayer of platelets. When an aggregating agent is added, platelets gradually  
30 accumulate on the monolayer coating, increasing the impedance between the electrodes. The change in impedance is recorded as a function of time. It is preferred that the

electrodes comprise precious metals since base metals drift in blood-saline mixtures.

5 One disadvantage of precious metal electrodes is high costs. Hence they are too expensive to be disposable. Therefore, the electrode assembly must be cleaned by hand between tests, exposing the operator to contact with the sample, and thus potentially exposing the operator to diseases transmitted through the fluids contained in the  
10 sample. Since diseases such as hepatitis and AIDS can be transmitted through handling of blood products, there is an understandable reluctance on the part of medical professionals to handle blood, blood products and objects contaminated therewith.

15

A further disadvantage of this structure is due to the fact that the electrodes of the aggregometer have to be handled by the user during the cleaning procedure, potentially disturbing the adjustment of the distance  
20 between the electrodes, causing inconsistent results. Furthermore each electrode requires exact placement of the wires during fabrication, making the final product expensive.

25 Document U.S. Pat. No. 4,591,793 of Freilich describes a substitution of the wire electrodes by a conductive ink printed on a plastic non-reactive base.

30 However this device is detrimental due to the fact that the platelets have difficulties in adhering to the exposed conductive surface of the Freilich device. Sometimes the aggregated platelets break off the surface, causing a

sudden change in impedance. Hence the measured results by the device are inconsistent and not reproducible.

A further measuring cell assembly according to the prior art is disclosed in Document U.S. Pat. No. 6,004,818 of Freilich et al., which is shown in FIGS. 11A and 11B.

FIG. 11A illustrates an explosive view of a part of a measuring cell device comprising an insulator 1, which is sandwiched between two flag-shaped electrodes 2. Each electrode 2 includes a connection tab 3 at one end and a tip 4 at the other end thereof, with a shaft 5 joining the tab 3 and the tip 4 respectively. After joining the two electrodes 2 and insulator 1 together a non-conductive coating is applied to the insulator 1 and to the electrode shafts 5.

FIG. 11B illustrates a perspective view of a measuring cell device according to the prior art. As shown in FIG. 11B the electrode assembly is fixed within a cuvette 56 using a positional clip 7. Prior to and during measurement, a stir bar 8 is activated to generate a circular flow of sample within the cuvette 6.

One drawback of the aforementioned measuring cell device is the use of punched sheet metal for the electrodes 2. The outline of the electrodes can economically be produced by the process of punching or related methods. However the surface qualities produced by these methods are relatively poor and vary during the production of large quantities (because of the aging of the punching blades applied during the process). The quality of the surfaces, which

strongly affect the measurement, are thus strongly varying resulting in high variations between different disposable electrodes.

5 A further disadvantage is due to the fact that the complete measuring cell device consists of six different pieces, namely the two electrodes 3, the insulator 1, the coating, a cuvette 6, a positional clip 7 and a stir bar 8. This results in an expensive, complicated production  
10 process, which is either labor intensive or requires high investments for an automated assembly line.

Additionally the measuring cell device of Freilich does not overcome the relatively high variation reported for  
15 whole blood aggregometry. In document US 6,004,818 a variation of around 10-15% between multiple measurements is reported for said measuring cell assembly.

Hence it is an object of the present invention to provide  
20 a cartridge device which overcomes the above mentioned drawbacks, particularly to provide a cartridge device which is economical, reproducible, safe and easy to use.

It is another object of the present invention to eliminate  
25 the limited reproducibility of previous methods according to the prior art for the measurement of aggregation in whole blood.

It is still another object of the present invention to  
30 provide a cartridge device which is accurate and so

economical to produce that it can be discarded after each test.

5 It is still another object of the present invention to provide a cartridge device which can be provided ready to use, so the application of the technique is simple and contains only few user-related sources of error and variation.

## 10 SUMMARY OF THE INVENTION

The present invention provides a cartridge device for analysing blood comprising a cell having a receiving portion for receiving a blood sample and a jack portion  
15 for receiving a plug; a stirring device for circulating said blood sample within said receiving portion; and an electrode holder having at least one incorporated electrode wire pair; wherein the electrode holder is attachable to the cell such that one end of the at least one  
20 electrode wire pair forms a sensor unit for measuring the electrical impedance between the two electrode wires of the at least one electrode wire pair within the blood sample and that the opposite end of the at least one electrode wire pair forms a plug portion being connectable  
25 directly to the plug for an electrical connection of the sensor unit to an analyser.

Furthermore the present invention provides a cartridge device for analysing blood comprising a cell having a  
30 receiving portion for receiving a blood sample; a stirring device for circulating said blood sample within said receiving portion; and at least two electrodes for

measuring the electrical impedance between the at least two electrodes within the blood sample; wherein the at least two electrodes consist of a metal comprising a first material with a high electrical conductivity, which is  
5 covered by a second material, which has a high electrical conductivity and which is resistant against oxidation.

Additionally the present invention provides a method for analysing blood by means of a cartridge device comprising  
10 at least three electrode wires or electrodes for measuring the electrical impedance between at least two of the at least three electrode wires or electrodes, comprising the following steps: measuring the electrical impedance between at least two different pairs of electrode wires or  
15 electrodes; comparing the measured electrical impedance values; discarding and repeating the measurements in case the variation is outside a predetermined threshold range; or indicating the measured electrical impedance values and/or the mean value thereof in case the variation is  
20 within the predetermined threshold range.

The dependent claims disclose further features and advantages of the present invention.

25 Hence the present invention provides a disposable device which overcomes the main problems of the aforementioned developments. The apparatus measures the change of impedance during the process of aggregation, whereas the quality of the measurement is ensured by a double-,  
30 triple- or multi-determination of the impedance. The cartridge can be manufactured at very low costs and is well suited for full automation of the production process.

The device for monitoring blood-platelet aggregation comprises a cartridge including electrodes; a means for stirring the sample; a power source for supplying electric  
5 current to the electrodes; and a data analysis device for receiving and analysing the change in electrical resistance or impedance between the electrodes.

A device is provided which is economical, accurate and  
10 quality-controlled. The test includes a disposable test cell having preferably at least two separate sensor elements. Each sensor element consists of preferably at least two separate conductive elements. During the analysis blood is placed in the test cell. By adequate  
15 means it is stirred. Optionally reagents activating or inhibiting platelet function are added. When blood platelets are activated they adhere on the conductive elements and alter electrical variables measured e.g. the resistance between the conductive elements or the electrical  
20 impedance. By comparing the values assessed on the different electrodes the result of the analysis is being controlled. When an adequate accordance between the individual results is attained, the result is accepted and the value or the mean (or median) value of the results is  
25 reported. If highly discrepant results are determined the analysis is rejected and a repeated analysis is requested.

The present invention further describes an economical and standardized production technique using injection moulding  
30 providing an improved analytical signal using suitable electrode compositions. The conductive elements are formed by wires which incorporate two functions. In their upper part they form a connector - or jack - by which the

conductivity signal is detected. In the lower part they are contacted with the blood sample and serve as a sensor for the platelet aggregation. The conductive elements are formed from a material of high conductivity and precious surface. A silver-copper material coated by silver or other precious material is preferably applied. This leads to a strong signal, due to the higher difference in conductivity between the platelet-coated vs. the uncoated electrode. In addition also the detection of the conductivity over the connector - or jack - is improved.

Hence the present invention allows to assess the whole blood aggregation in a routine setting. Unlike previously applied methods for the assessment of whole blood aggregation it is easy to use and does not require the cleaning of blood-contaminated devices. Compared to the measurement of aggregation in platelet rich plasma the inventive method provides the advantage to eliminate the need to centrifuge blood to obtain PRP for use in measuring aggregation of platelets optically. Thus reduced labor costs, increased speed, and test of the platelets in their natural milieu are important advantages. The measurement in whole blood also allows studies to be performed in cases where optical aggregation is not reliable, such as giant platelets (Bernard-Soulier syndrome), where red cells have been lysed or where it is difficult to obtain enough blood to make PRP, such as with small animals or babies.

In addition whole blood aggregometry has the advantage that - like the Born aggregometry - it provides a continuous signal of the kinetics of platelet aggregation, unlike other methods, which provide only a measure for total

aggregation, without revealing the kinetics of the process.

5 BRIEF DESCRIPTION OF THE DRAWINGS

The invention may be further understood by reference to the drawings, wherein:

10 FIG. 1 is a perspective view of a cell according to an embodiment of the present invention;

FIG. 2 is a perspective view of an electrode holder according to an embodiment of the present invention (with double determination technique);  
15

FIG. 3 is a side view of an electrode holder according to certain embodiments of the present invention (double, linear triple or linear quadruple detection technique);  
20

FIG. 4 is a side view of the cartridge according to certain embodiments of the present invention (double, linear triple or linear quadruple detection technique);  
25

FIG. 5 is a top plan view of a cartridge according to a first embodiment of the present invention (with double determination technique);

FIG. 6 is a perspective view of the cartridge according to the first embodiment of the present invention (with double determination technique);

5

FIG. 7 is a sectional view of a cartridge device with attached plug and cable according to an embodiment of the present invention;

10 FIG. 8 is a perspective view of a cartridge device according to a second embodiment of the present invention (with triple determination technique;

15 FIG. 9 is a perspective view of a cartridge device according to a third embodiment of the present invention (with linear quadruple determination technique);

20 FIG. 10 is a top plan view of a cartridge device according to a fourth embodiment of the present invention (with circular triple determination technique;

25 FIG. 11A is an explosive view of a part of a cartridge device according to the prior art; and

FIG. 11B is an perspective view of a cartridge device according to the prior art.

30

## DETAILED DESCRIPTION OF PREFERRED EMBODIMENTS

In all figures like reference numerals are used to denote like elements and/or like functions of respective elements as long as nothing else is stated. It should be noticed that in the following the term cartridge describes the disposable structure applied in preferred embodiments of the invention. It consists of a cell 9 and an electrode holder 14.

10

In a preferred embodiment the cartridge device 20 consists of two main parts 9 and 14 made by particularly injection moulding. The one part is a single pieced receiving means and subsequently called cell 9.

15

FIG. 1 depicts a cell 9 in a perspective view according to a preferred embodiment of the present invention. The cell 9 comprises at least a preferably cylindrical receiving portion or cup portion 10, which is open at one face side, holding a sample during the analysis. The sample is placed into the cup portion 10 of the cell 9 by means of a particularly conical funnel tube 11.

20

The cell 9 further comprises a jack portion 12 adjacent to the cup portion 10 and separated therefrom by a stopping wall 27. Together with an electrode holder 14, described later in further details (see FIG. 2), the jack portion 12 forms a jack 18 (see FIG. 3), in which a plug 22 (described later in further details) is arranged and which allows the electrical connection of the cell 9 to an instrument, for example an analyser.

25

30

A guiding rail 13 is formed on both sides of the funnel tube 11 of the cell 9, respectively, for guiding the electrode holder 14 into a secure and tight connection with the cell 9 as shown in FIG. 4.

5

Preferably and as shown in FIG. 1 the whole cell 9 is formed in a way that it can be easily unmoulded with a two part injection moulding mould. This requires that the cup 9 does not form any undercuts and that the outer and inner surfaces are at least slightly conical. Although the cell 9 has three different functional portions, it can inexpensively be produced as one part using injection moulding. This minimises production costs on the one hand and the need for manual handling for the use on the other hand.

15

The cell 9 is in particular produced of blood compatible material such as polystyrene. Other usable materials are polymethyl methacrylate (PMMA) or polyethylene. The importance of using a blood compatible material is that the blood platelets will not get activated by the contact with the cell material. This allows to activate specifically the platelets as intended for the different test methods performed.

## 25 DUAL ELECTRODE CARTRIDGE DEVICE

The other part of the cartridge device 20 is the electrode holder 14, illustrated in FIG. 2 in a perspective view according to a first embodiment of the present invention. The electrode holder 14 consists particularly of a plastic body 15, in which two tiny electrode wire pairs 16, 24 are incorporated. Each wire of a wire pair 16, 24 has prefera-

30

bly a diameter of about 0.1-0.5 mm, most preferably 0.3 mm.

The electrode holder 14 comprises especially a L-formed  
5 body 15 with a long part 15a and a short part 15b perpendicular to the long part 15a. At the face side of the long part 15a of the electrode holder 14 each electrode wire of the electrode pairs 16, 24 protrudes and forms a sensor  
10 portion 16a, 24a. For example, two sensor portions 16a or 24a form together a sensor unit 17a or 17b. During the analysis the sensor units 17a and 17b are completely immersed into the blood sample. The blood platelets adhere on the sensor portions 16a, 24a of the wire pairs 16, 24 and change the electrical impedance between said two wires  
15 of a respective wire pair 16 or 24. These measured impedance values can be compared with each other and/or with a predetermined threshold.

At the face side of the short part 15b of the electrode  
20 holder 14 each electrode wire of the electrode pairs 16, 24 protrudes under a predetermined angle, for example 50°, and forms a connector portion 16b, 24b, respectively.

The electrode holder 14 of this preferred embodiment  
25 comprises two linear independent sensor units 17a, 17b, each formed by an electrode wire pair 16, 24. The sensor units 17a, 17b are particularly placed symmetrically to each other at the face side of the long part 15a of the body 15 in order to ensure identical flow conditions  
30 around each wire pair and acceptable measurement results. Preferably the two wires of an electrode pair 16 (24) are

positioned parallel to each other and parallel to the wires of another electrode pair 24 (16).

5 The electrode holder is preferably inexpensively produced by injection moulding. This requires to insert the wires of the electrode pairs 16, 24 into the mould and to extrusion-coat them by the resin. This poses the problem not to bend the thin wires by the high pressure in the injection mould. Also it is important to automate the  
10 process of placing the wires into the mould, thus allowing fully automated production and thus low costs. Preferably the wires are automatically placed into the mould from a roll, then extrusion coated and afterwards automatically taken out of the mould and then cut into the right  
15 dimensions. This also provides the advantage that cable on a roll is less expensive than pre-cut cable bars. It is advantageous to keep the wires under tension during the injection process in order to prevent bending of the thin wires.

20 It is also advantageous to keep the body 15 of the electrode holder 14 thin, as it is shown in FIG. 2. This leads to reduced pressure requirements in the injection process and thus also to a lower tendency to bend the  
25 wires of the electrode wire pairs 16, 24. A thickness of 1-5 mm of the body 15 is preferred most. The plastic material used for the electrode holder is preferably a blood compatible material such as polystyrene, PMMA or polyethylene, most preferably polystyrene.

30 The material selected for the electrodes or wires needs to fulfil several requirements. It should provide a low

electrical resistance. This provides a good electrical connection of the wires in the connection portions 16b, 24b to plugs 22 or equivalent devices and in addition it provides a stronger signal of the analysis. In the sensor  
5 portions 16a, 24a the wires are coated by the activated platelets which enhances the electrical resistance between them. When wires of a lower resistance are applied this leads to a stronger resistance change when the wires are coated by the platelets compared to a material with lower  
10 conductivity. Materials with a high conductivity include for example copper and copper alloys (copper-silver alloy, copper-magnesium alloy).

However the wire material must also not oxidate when  
15 contacted to blood, even when different oxidating drugs are present. This requires the surface of the wires 15 to have a low tendency to oxidate. Such materials are for example precious metals such as platin, gold, silver. The named materials with a high conductivity (copper and  
20 copper alloys) have a high tendency to oxidate. However the precious metals are too expensive to be used for the production of a single use cartridge. According to the present invention it was found that by coating a low cost wire material with a high conductivity (preferably a  
25 silver-copper alloy comprising 0.2-2 % silver, most preferably 0.9% silver) with a precious material such as silver (preferably using a coating of 0.5-20 g / kg, most preferably 2 g/ kg) a wire is obtained which is economical, which provides a good electrical impedance and which  
30 is also sufficiently resistant to oxidation during the analysis. Other coatings made of gold, platin or other precious metals can be also applied.

The electrodes are preferably wires having a circular cross-section. The inventors have tested diameters between 0,1 mm and 0,50 mm. The signal turns out to become weaker with increasing diameter, so that the electrodes should be  
5 thin. The electrode holder is manufactured by injection moulding which requires tearproof rods, i.e. the rods should not be too thin. The optimal value for diameter of the electrodes which encompasses these two aspects turned out to be 0,3 mm.

10

The length of the ends of the electrodes which stand out of the electrode holder 14 is preferably 4 mm. The inventors have tested lengths between 2 mm and 6 mm. It turned out, that the longer the ends are, the weaker the  
15 signal becomes, so that short ends are preferred. However, when the ends become too short, the production of the electrode holder becomes more complicated, so that an optimal length is about 4 mm.

20 A spacing of 0,5 - 1 mm between the electrode wires was found to provide optimal signal and reproducibility.

The electrode wires are preferably bended two times as is best seen in FIGS. 3 and 4. This bending ensures that the  
25 ends of the electrodes form together with the jack portion 12 of the cell 9 a jack. In the present case the inventors use preferably a geometry consistent with the normed jack RJ12. This allows to use the standard RJ12 plug to connect the cartridge device 20 to an analyser just by putting the  
30 plug into the jack portion 18.

After the injection moulding process the wires 16, 24 are bended for example under an angle of at least  $90^\circ$  as shown in FIG. 3.

5 Afterwards the electrode holder 14 is connected to the cell 9 by guiding a guiding part 28 of the holder 14 in said respective guiding rails 13 of the funnel tube 11 of the cell 9 until it contacts the upper edge of the stopping wall 27.

10

FIGS. 4 to 6 illustrate an assembled cartridge device 20 in a sectional side view, a top plan view and a perspective view according to a preferred first embodiment of the present invention.

15

A magnetic or paramagnetic stir bar 19 for stirring the blood sample is placed into the cup portion 10. Then the whole device is packed into appropriate means for storage and shipping to the customer.

20

Before the analysis the user takes the cartridge device 20 out of the packaging and places it into an appropriate receptacle of the analyser. The receptacle is preferably heated to  $37^\circ$  to ensure that the analysis takes place  
25 under standardized and physiological temperature conditions.

30

The filling amount of the blood sample is preferably large enough to ensure that the ends of the electrode wires projecting from the face side of the long part 15a of the body 15 are completely covered.

Appropriate means are placed under the receptacle that induce a stirring motion of the stir bar 19. The preferred means for stirring the sample is the use of electromagnets that are alternately turned on and off and therefore induce a rotation of the stir bar 19. The stir bar 19 can comprise a Teflon coated stir bar, steel or siliconized steel. Siliconized stainless steel is the preferred material, as it is less expensive than Teflon coated stir bars. Non-coated stir bars can alter the platelet activation due to the contact and adhesion of platelets to the thrombogenic steel material. Also permanent magnets that are rotated by adequate means or other means for inducing rotation of the sample (such as ultrasound, orbital movements of the cup) can be applied as obvious to a person skilled in the art.

The user then connects a plug 22, preferably a standard RJ12 plug, to the jack 18 as illustrated in FIG. 7, which shows a sectional view of an assembled cartridge device with a connected plug 22 according to a preferred embodiment of the present invention. The plug 22 is preferably a standard plug, which comprises particularly a conductive element 22 contacting the contact regions 16b, 24b, i.e. the plug portions 21a and 21b of the electrode wire pairs 16 and 24. The plug 22 is connected to an analyser (not shown) by means of a connection cable 23 and allows the signal of the analysis to be transferred from the cartridge device 20 to the analyser.

30

During the analysis the analyser continuously records the impedance change on both sensor units 17a and 17b. Under optimal conditions the impedance change of both sensor

units 17a and 17b will be identical or nearly identical. However when due to material variations, dirt, damage of the wires 16, 24 during transport or other errors one sensor unit is defect, a strong variation is determined  
5 between the two sensor units 17a and 17b and the measurement is discarded. An automatic algorithm in the software distinguishes acceptable from non-acceptable variation between the results of the sensor units 17a and 17b and automatically stops the analysis if required. When an  
10 acceptable variation is recorded, for example the mean value of the two determinations is reported to the user. This leads to significantly improved precision. The rate of wrong diagnosis is significantly decreased compared to single analysis units.

15

After the analysis the user disconnects the plug 22 from the cartridge device 20 and discards it.

#### LINEAR TRIPLE CARTRIDGE DEVICE

20

A second preferred embodiment of the cartridge device 20 is shown in FIG. 8, which is a perspective view. The cell 9 according to the second embodiment is identical to the previous embodiment and therefore it is referred to the  
25 above evaluations.

However contrary to the first embodiment the electrode holder 14 according to the second embodiment comprises three sensor units 17a, 17b, 17c, which are linearly  
30 arranged to each other. Each sensor unit consists of a pair of electrode wires 16, 24 and 25, respectively. Due to the linear arrangement the electrode wire pair 24 is in

the middle of the two remaining electrode wire pairs 16 and 25 and is exposed to a significantly lower blood flow when compared to the outer electrode wire pairs 16 and 25. Hence according to the second embodiment it is possible to  
5 compare platelet adhesion and aggregation under varying flow conditions. It is obvious to a person skilled in the art that by variations of the number and geometric arrangement of the test units the flow conditions under which the platelets are analysed can be varied and also  
10 differentiated software algorithms can be applied.

#### LINEAR QUADRUPLE CARTRIDGE DEVICE

According to a third preferred embodiment as shown in a  
15 perspective view in FIG. 9, the cell 9 is identical to the previous embodiments and therefore it is referred to the above evaluations.

However the electrode holder 14 according to the third  
20 embodiment comprises four sensor units 17a, 17b, 17c, 17d. These sensor units are linearly arranged to each other. Each sensor unit 17a, 17b, 17c and 17d consists of a pair of electrode wires 16, 24, 25 and 26, respectively. Due to the linear arrangement the middle two electrode wire pairs  
25 24 and 25 are exposed to a lower blood flow compared to the outer electrode wires 16 and 26. Hence according to the third embodiment it is possible to make a double-determination of the platelet aggregation under low and high blood flow conditions, referring to the flow condi-  
30 tions of blood in vessels with small and large diameter.

#### CIRCULAR TRIPLE CARTRIDGE DEVICE

FIG. 10 illustrates a top plan sectional view of a cartridge device 20 according to a fourth embodiment of the present invention. The cell 9 is identical to the  
5 aforementioned embodiments and therefore it is referred to the above evaluations.

However the electrode holder 14 is formed to allow a circular arrangement (FIG. 8) of several sensor units.  
10 According to the present arrangement shown in FIG. 10 three sensor units 17a, 17b and 17c are arranged at the same radial location in the blood sample, i.e. in the receiving portion 10, and exposed to the identical or nearly identical blood flow, which allows to directly  
15 compare the signals.

According to the fourth embodiment the analyser independently records the changes in conductivity between the wire pairs of the three sensor units 17a, 17b and 17c. Thus  
20 three independent results are obtained. For example the mean or median value is reported to the user, resulting in an enhanced precision of the analysis when compared to the prior art and to inventive embodiments containing only two independent sensor units.

25

#### SURFACE-COATED PUNCHED ELECTRODES

According to another preferred embodiment a cartridge device is provided, wherein the electrodes are formed by  
30 punched metal (as shown in FIG.11A), especially by using a highly electrically conductive material such as copper or copper alloys. The surface is coated using a precious

material with a high conductivity, such as silver, gold or  
platin. This allows to correct the aforementioned poor  
surface quality of the punched material by the coating  
with the precious material. In addition the high conduc-  
5 tivity of the used metal material (e.g. copper) improves  
the signal of the analysis by the higher conductivity  
reduction when the electrode surface is coated by the  
activated platelets.

## 10 MULTIPLE PUNCHED ELECTRODES

According to another preferred embodiment a cartridge  
device is provided, wherein at least three electrodes made  
of punched metal are in contact with the blood. The shape  
15 of the electrodes can be similar to the shape of the  
electrodes shown in FIG. 11A. At least two separate  
measurements of conductivity are parallel performed. In  
case three electrodes are used, the conductivity between  
electrode 1 and electrode 2 is measured as signal 1. The  
20 conductivity between electrode 2 and 3 is used as signal  
2. And the conductivity between electrode 3 and electrode  
1 is used as signal 3. In case the variation of a deter-  
mined conductivity signal is higher than an acceptable  
threshold (preferably 20%) of the mean value of the three  
25 signals, this signal is rejected and only the two other  
signals are analysed. In case also the conductivity of the  
remaining two signals shows a variation being too high,  
the whole analysis is discarded and the user is instructed  
to repeat the analysis. In case the signal variation is  
30 acceptable, the mean value or median value of the signals  
is reported to the user. This allows a significantly  
reduced probability of wrong determinations and also a  
reduced variation of the results.

Hence the present invention provides a cartridge device which solves several problems. On the one hand the limited reproducibility of previous methods according to the prior art for the measurement of aggregation in whole blood is eliminated. On the other hand a cartridge is provided which is accurate and so economical to produce that it can be discarded after each test.

Another advantage of the present invention is due to the fact that a cartridge which can be manufactured ready to use is provided, so that the application of the technique is simple and contains only few user-related sources of error and variation.

While the forgoing description and examples set forth specific illustrations of the practice of the present invention, those illustrations are intended to be representative only. Thus it will be apparent that numerous modifications and variations upon the designs and processes particularly described herein may be resorted to by those skilled in the art within the scope of the appended claims.

For example instead of the electrode wire pairs of the first to third embodiments several single electrodes or electrode wires can be used to receive several independent and separate measurement results.

It is obvious to a person skilled in the art that the wire sections 16b, 24b, 25b and 26b can serve as a plug or a jack in order to allow a connection to an analyser.

## REFERENZ NUMERAL LIST

	1	insulator
	2	electrode
5	3	connection tap
	4	tip
	5	shaft
	6	cuvette
	7	clip
10	8	stir bar
	9	cell
	10	receiving portion/cup portion
	11	tunnel tube
	12	jack portion
15	13	guiding rail
	14	electrode holder
	15	plastic body
	15a	long part of body
	15b	short part of body
20	16	first electrode wire pair
	16a	sensor portion
	16b	connection portion
	17a	first sensor unit
	17b	second sensor unit
25	17c	third sensor unit
	17d	fourth sensor unit
	18	jack
	19	stir bar
	20	cartridge device
30	21a	plug portion
	21b	plug portion
	21c	plug portion
	21d	plug portion
	22	plug
35	23	connection cable
	24	second electrode wire pair

	24a	sensor portion
	24b	connection portion
	25	third electrode wire pair
	25a	sensor portion
5	25b	connection portion
	26	fourth electrode wire pair
	26a	sensor portion
	26b	connection portion
	27	stopping wall
10	28	guiding part

CARTRIDGE DEVICE FOR BLOOD ANALYSIS

5

## CLAIMS

1. Cartridge device (20) for analysing blood comprising:  
a cell (9) having a receiving portion (10) for receiving a blood sample and a plug or jack portion (18) for receiving a plug or a jack (22);  
means (19) for circulating said blood sample within said receiving portion (10); and  
an electrode holder (14) having at least one incorporated electrode pair (16; 24; 25; 26);  
wherein the electrode holder (14) is attachable to the cell (9) such that one end (16a; 24a; 25a; 26a) of the at least one electrode pair (16; 24; 25; 26) forms a sensor unit (17a; 17b; 17c; 17d) for measuring the electrical impedance between the two electrodes of the at least one electrode pair (16; 24; 25; 26) within the blood sample and that the opposite end (16b; 24b; 25b; 26b) of the at least one electrode pair (16; 24; 25; 26) forms a plug or jack portion (21a; 21b; 21c; 21d) being connectable directly to the plug or the jack (22) for an electrical connection of the sensor unit (17a; 17b; 17c; 17d) to an analyser.
2. Cartridge device (20) according to claim 1, characterised in that the cell (9) is made as a one-piece cell by injection moulding.

3. Cartridge device (20) according to claim 1 or 2, characterised in that the receiving portion (10) has a cylindrical shape with one open face side.

5

4. Cartridge device (20) according to at least one of the preceding claims, characterised in that a at least partly conical formed funnel tube (11) is connected to the open face side of the receiving portion (10) for filling in the blood sample.

10

5. Cartridge device (20) according to claim 4, characterised in that two guiding rails (13) are positioned on the inner surface of the funnel tube (11) for guiding the electrode holder (14) into position.

15

6. Cartridge device (20) according to claim 4 or 5, characterised in that a stopping wall (27) is positioned between the funnel tube (11) and the jack portion (12) for positioning the electrode holder (14) into a stable position.

20

7. Cartridge device (20) according to at least one of the preceding claims, characterised in that the cell (9) is made of a blood compatible material, such as polystyrene, polymethyl methacrylate (PMMA), polyethylene etc.

25

8. Cartridge device (20) according to at least one of the preceding claims, characterised in that the electrode

30

holder (14) comprises a plastic body (15) which is made by injection moulding.

- 5 9. Cartridge device (20) according to claim 8, characterised in that the plastic body (15) of the electrode holder (14) has a thickness of about 1 to 5 mm.
- 10 10. Cartridge device (20) according to at least one of the preceding claims, characterised in that the electrode holder (14) is made of a blood compatible material such as polystyrene, polymethyl methacrylate (PMMA), polyethylene, etc.
- 15 11. Cartridge device (20) according to at least one of the preceding claims, characterised in that the electrode holder (14) comprises a L-formed body (15) with a long part (15a) and a short part (15b) perpendicular to the long part (15a)
- 20 12. Cartridge device (20) according to at least one of the preceding claims, characterised in that two electrode pairs (16, 24) are symmetrically incorporated in the electrode holder (14) for two independent separate measurement results.
- 25 13. Cartridge device (20) according to at least one of the claims 1 to 11, characterised in that three electrode pairs (16, 24, 25) are linearly incorporated in the electrode holder (14) for three separate measurement results, wherein one electrode pair (24) is preferably positioned in the middle of the remaining electrode
- 30

pairs (16, 25) for comparing platelet adhesion and aggregation under varying flow conditions.

5 14. Cartridge device (20) according to at least one of the claims 1 to 11, characterised in that four electrode pairs (16, 24, 25, 26) are linearly incorporated in the electrode holder (24) for four separate measurement results for making a double-determination of the platelet aggregation under low and high blood flow  
10 conditions.

15 15. Cartridge device (20) according to at least one of the claims 1 to 11, characterised in that at least three electrode pairs (16, 24, 25) are arranged symmetrically to each other at the same radial position in the receiving portion (10).

20 16. Cartridge device (20) according to at least one of the preceding claims, characterised in that the two electrodes of one electrode pair (16, 24, 25, 26) are positioned parallel to each other and spaced apart from each other.

25 17. Cartridge device (20) according to at least one of the preceding claims, characterised in that two electrode pairs (16, 24, 25, 26) are positioned parallel to each other and spaced apart from each other.

30 18. Cartridge device (20) according to at least one of the preceding claims, characterised in that the electrodes are formed as wires made of a first material compris-

ing a high conductivity, which is covered by a second material comprising a high electrical conductivity and being resistant against oxidation.

5 19. Cartridge device (20) according to claim 18, characterised in that the first material is copper, copper alloy, such as copper-silver alloy, copper-magnesium alloy or such like, preferably a silver-copper alloy comprising 0,2 to 2 % silver, most preferably 0,9 %  
10 silver.

20. Cartridge device (20) according to claim 18 or 19, characterised in that the second material is a precious metal such as silver, platin, gold or such like.

15 21. Cartridge device (20) according to claim 20, characterised in that the second precious metal is a silver coating in the range of about 0,5 to 20 g/kg, most preferably 2 g/kg.

20 22. Cartridge device (20) according to at least one of the preceding claims, characterised in that the electrode wires have a diameter of about 0,1 to 0,5 mm, preferably 0,3 mm.

25 23. Cartridge device (20) according to at least one of the preceding claims, characterised in that the means (19) are a stir bar (19), which is made of steel, siliconized steel, Teflon or Teflon-coated, preferably  
30 siliconized stainless steel, wherein the stir bar (19) is for example actuated by permanent magnets.

24. Cartridge device (20) according to at least one of the preceding claims, characterised in that the plug (22) is a standard RJ12 plug.

5

25. Cartridge device for analysing blood comprising:

a cell having a receiving portion for receiving a blood sample;

10 a stirring device for circulating said blood sample within said receiving portion; and

at least two electrodes for measuring the electrical impedance between the at least two electrodes within the blood sample;

15 wherein the at least two electrodes consist of a metal comprising a first material with a high electrical conductivity, which is covered by a second material, which has a high electrical conductivity and which is resistant against oxidation.

20 26. Cartridge device according to claim 25, characterised in that the first material is copper, copper alloy, such as copper-silver alloy, copper-magnesium alloy or such like, preferably a silver-copper alloy comprising 0,2 to 2 % silver, most preferably 0,9 % silver.

25

27. Cartridge device according to claim 25 or 26, characterised in that the second material is a precious metal such as silver, platin, gold or such like.

28. Cartridge device according to claim 27, characterised in that the second precious metal is a silver coating in the range of about 0,5 to 20 g/kg, most preferably 2 g/kg.

5

29. A method for analysing blood by means of a cartridge device comprising at least three electrode wires or electrodes for measuring the electrical impedance between at least two of the at least three electrode wires or electrodes, comprising the following steps:

10

measuring the electrical impedance between at least two different pairs of electrode wires or electrodes;

comparing the measured electrical impedance values;

15

discarding and repeating the measurements in case the variation is outside a predetermined threshold range; or

indicating the measured electrical impedance values and/or the mean or median value thereof in case the variation is within the predetermined threshold range.

20

30. Method according to claim 29, characterised in that only those measurement values are rejected, which are outside a predetermined threshold range, wherein the remaining measurement values and/or the mean values thereof are indicated.

25

Fig. 1

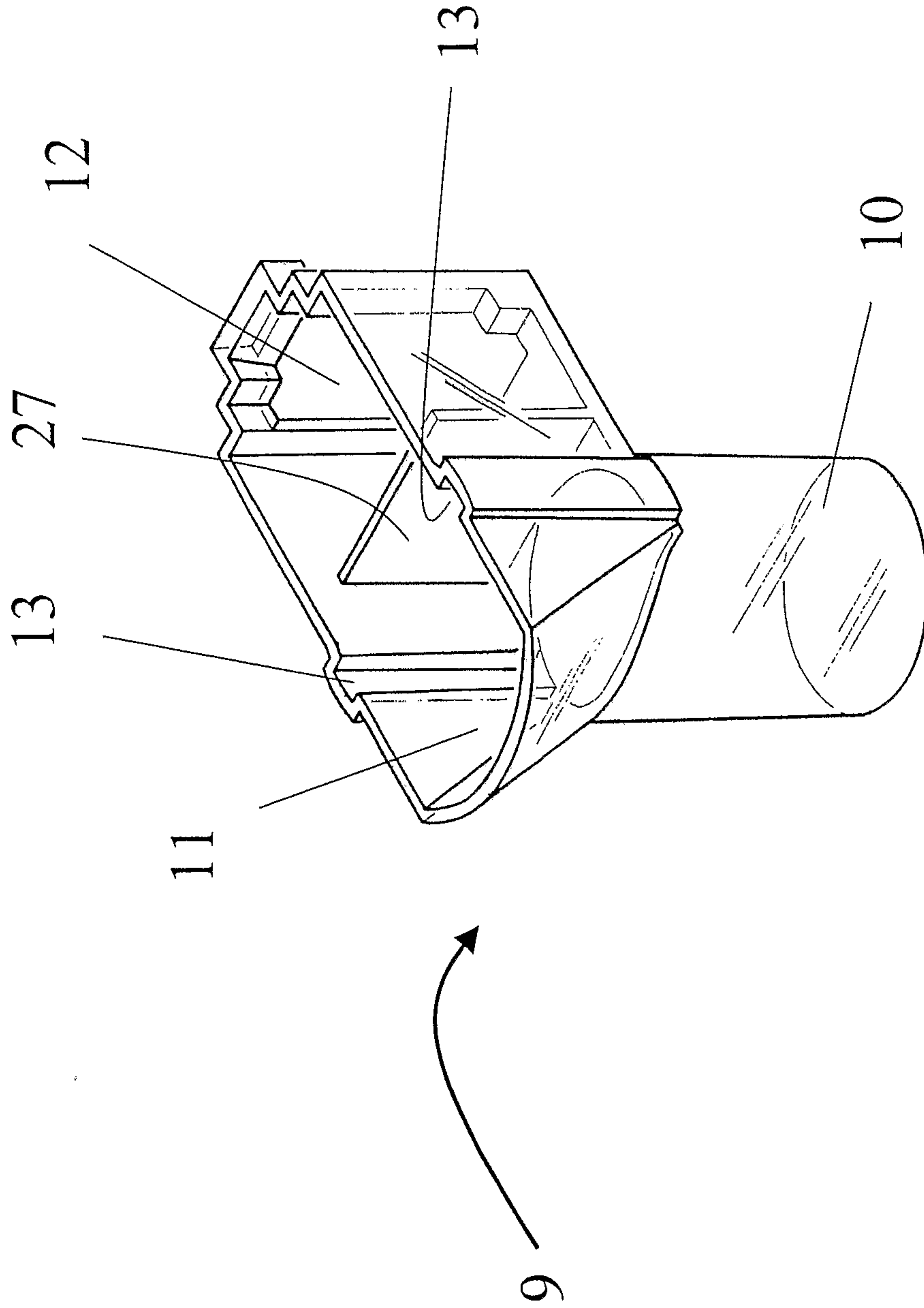


Fig. 2

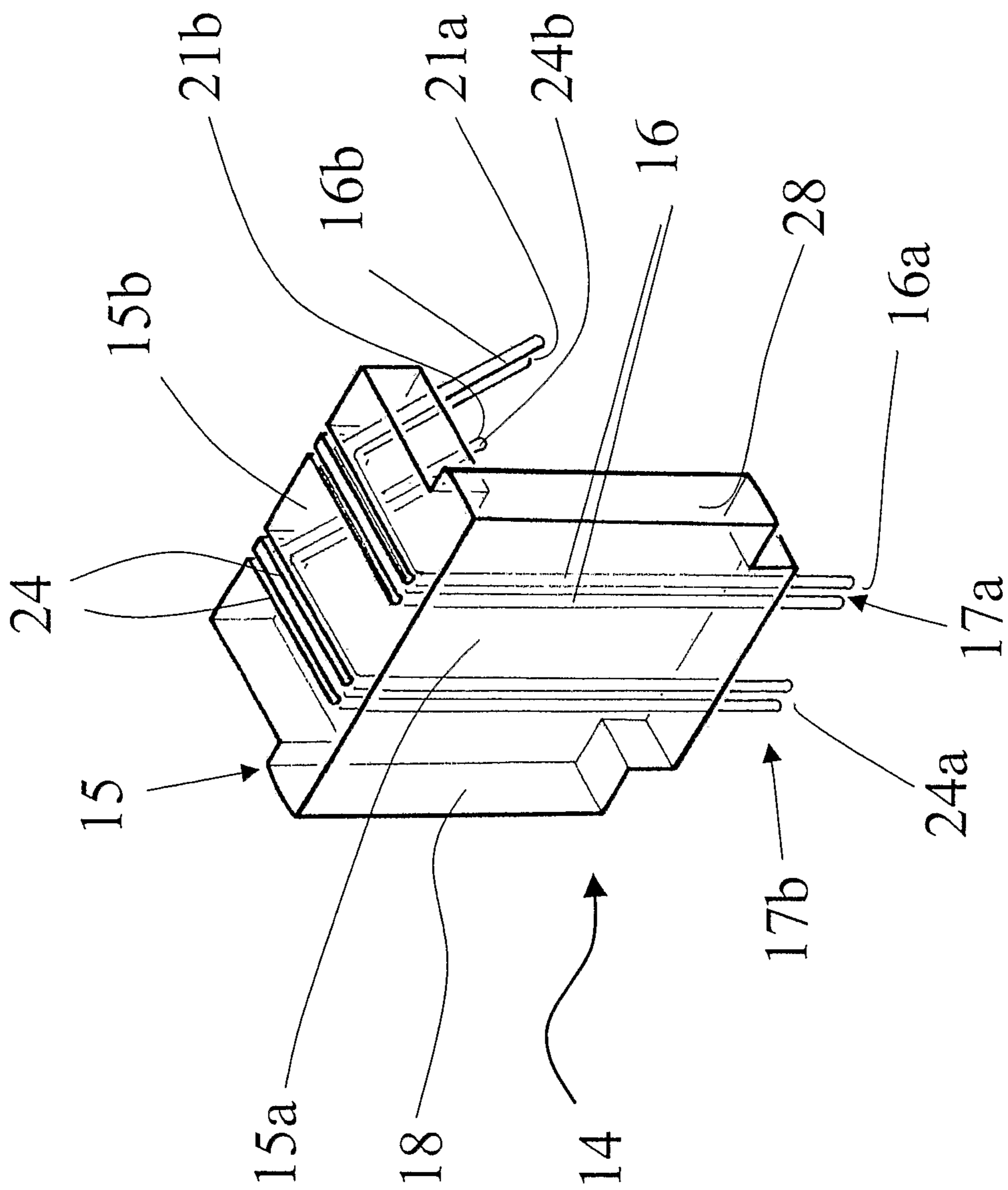


Fig. 3

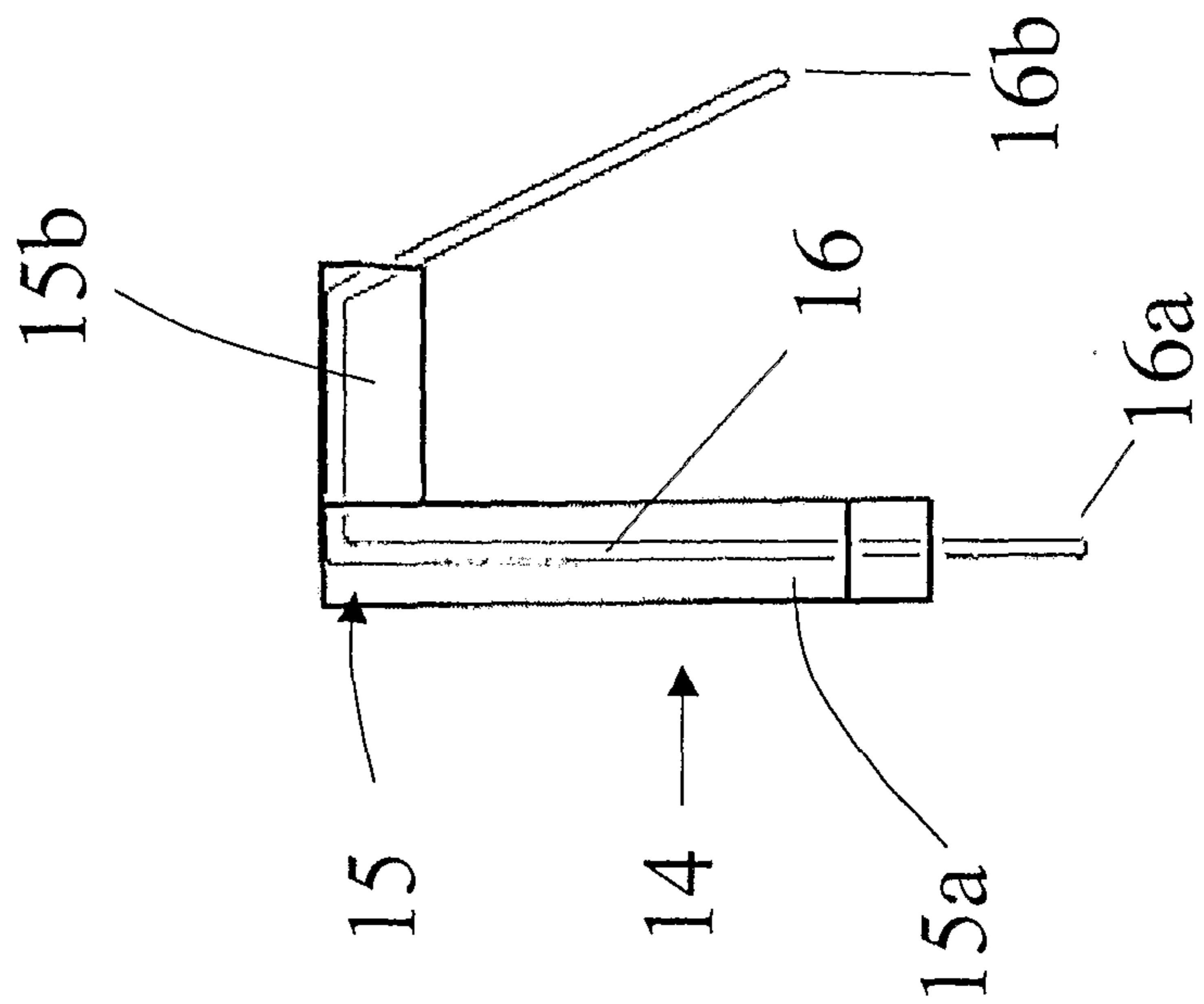
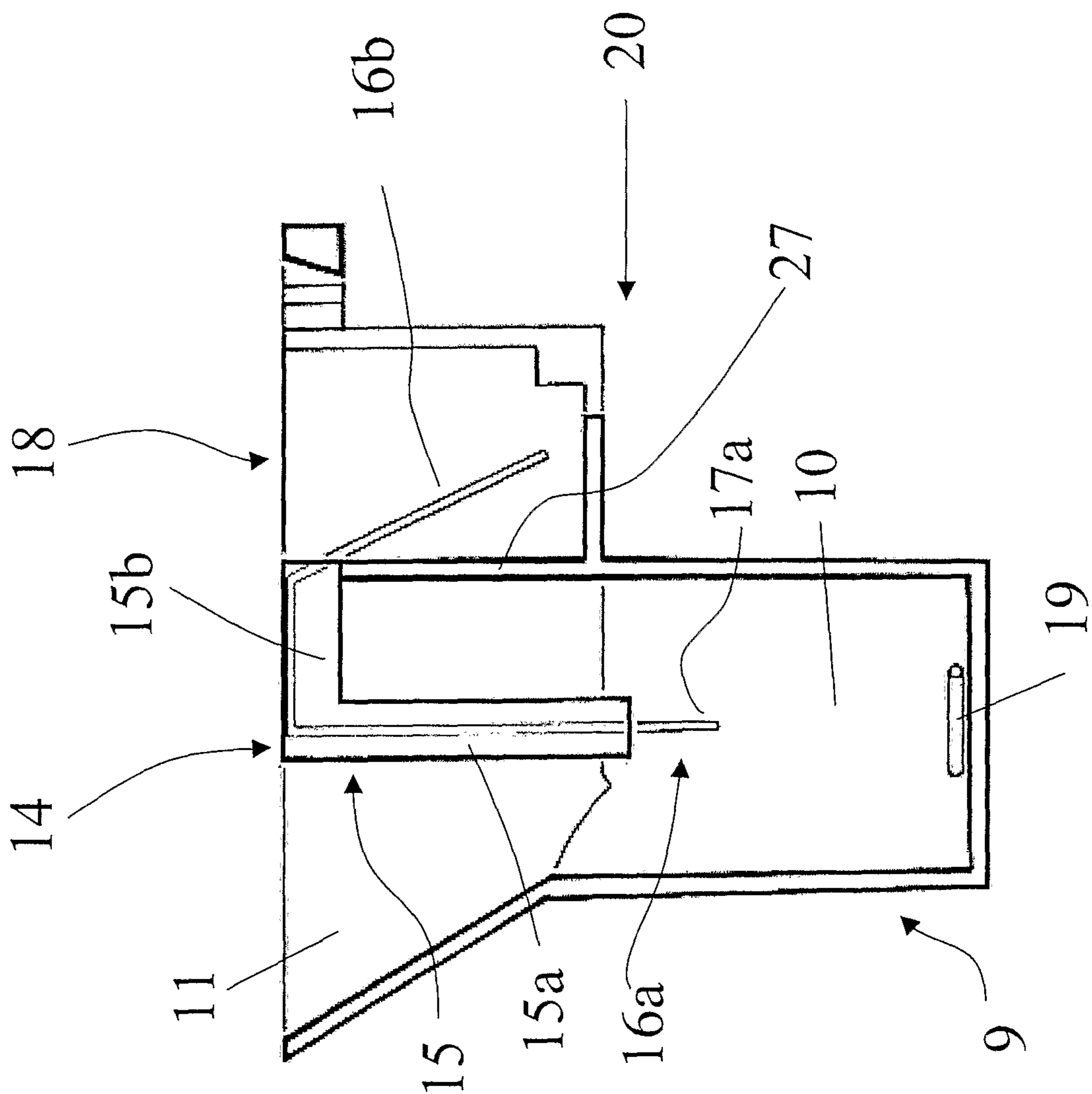


Fig. 4



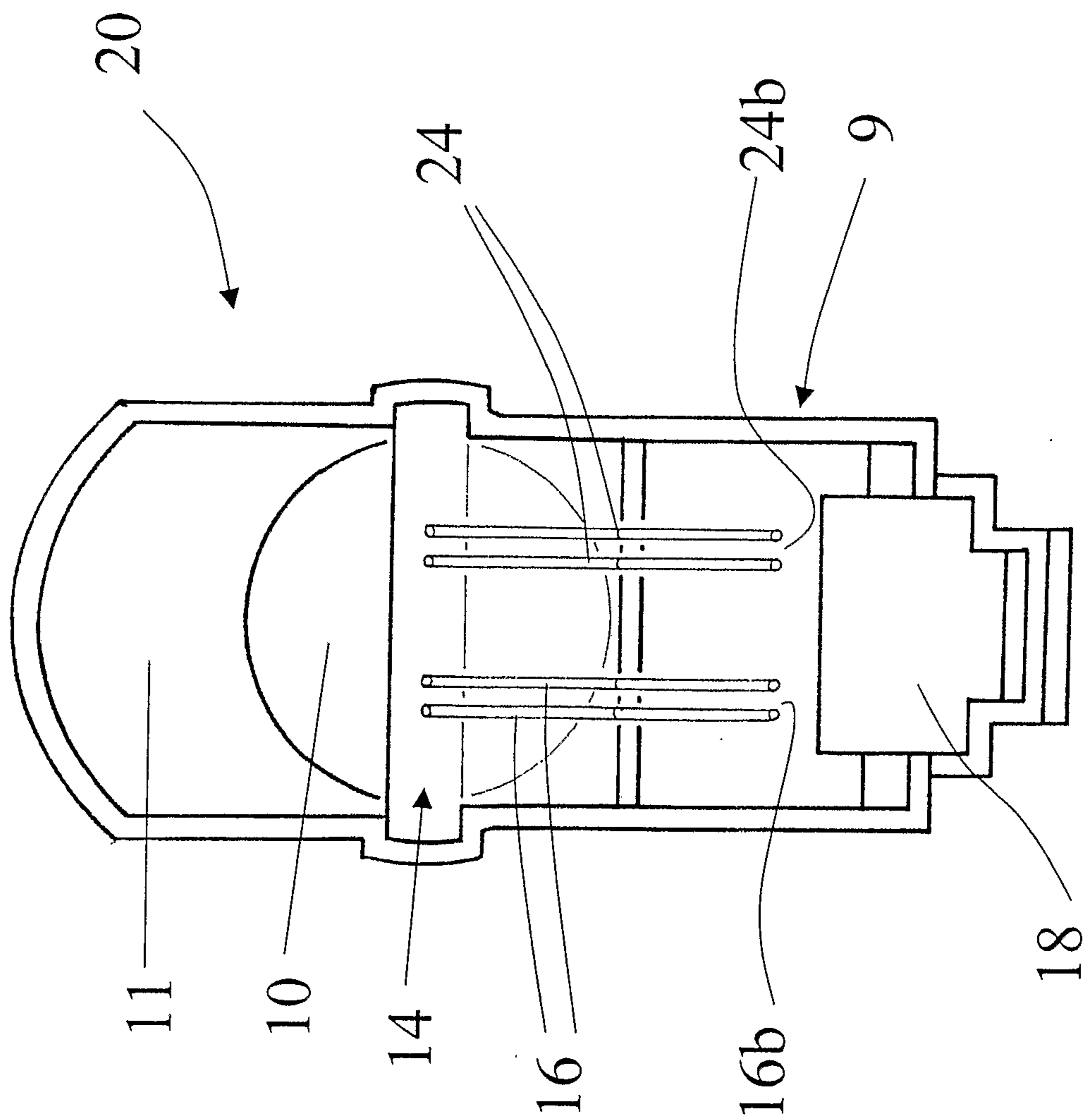


Fig. 5

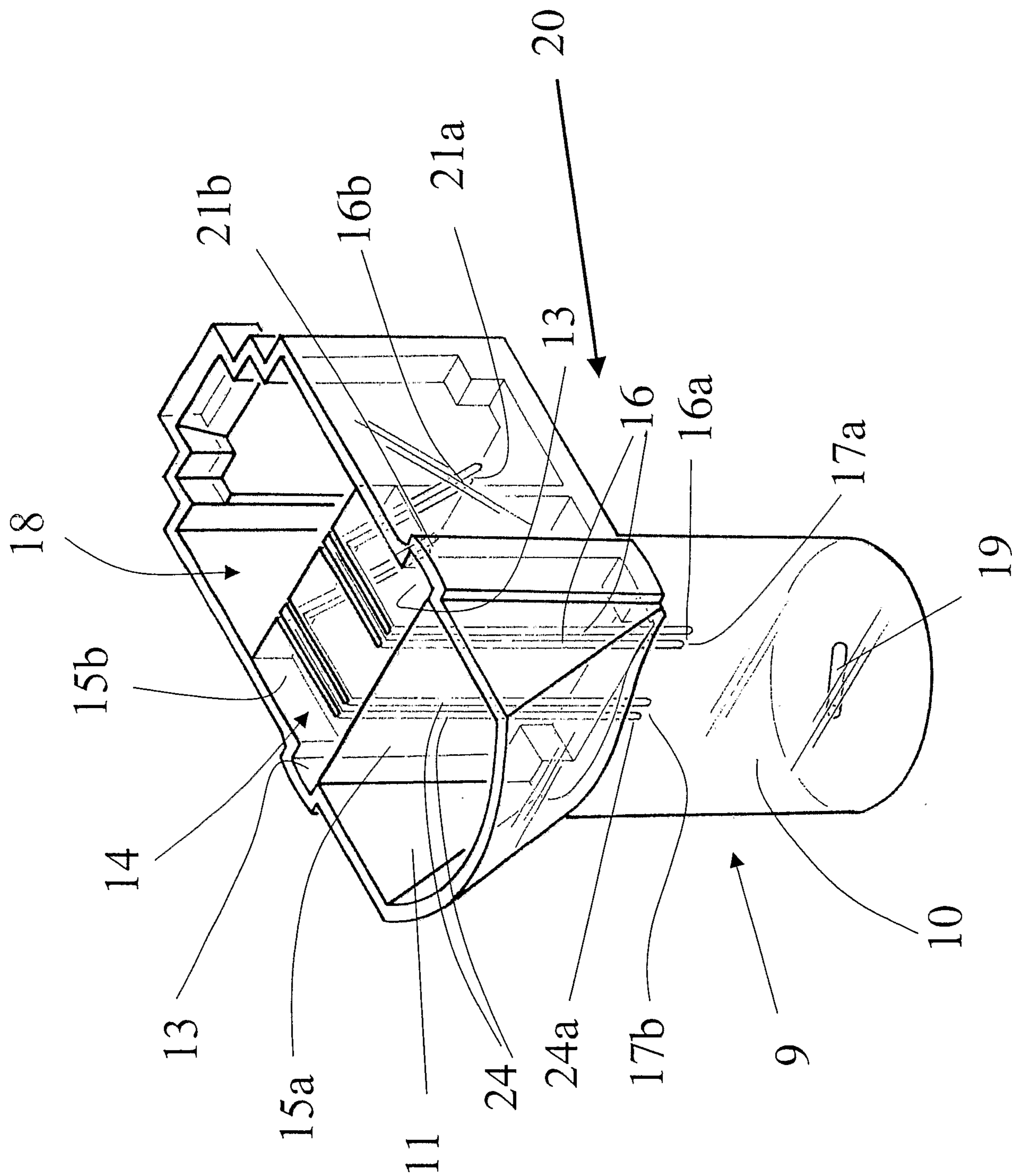
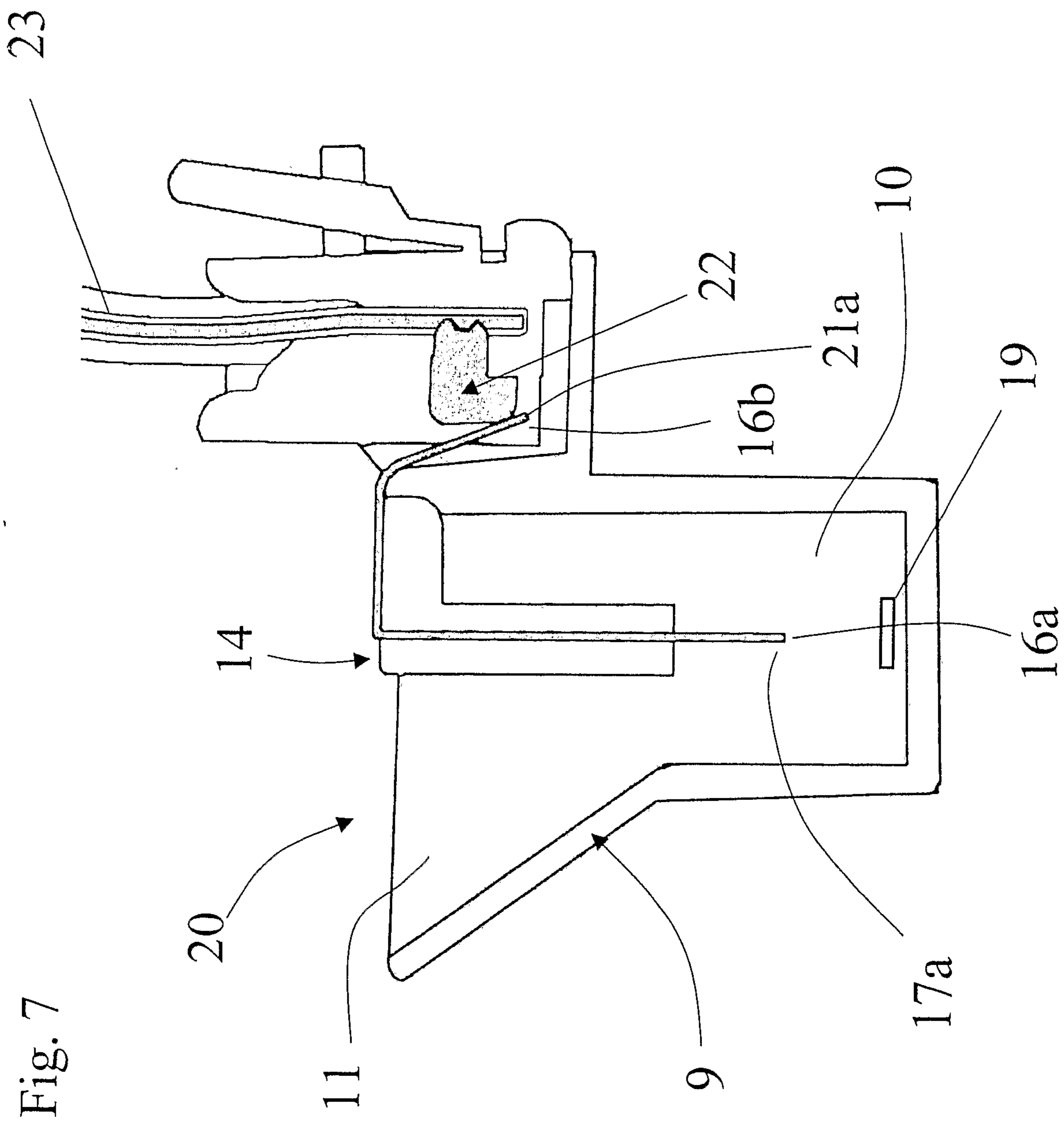


Fig. 6



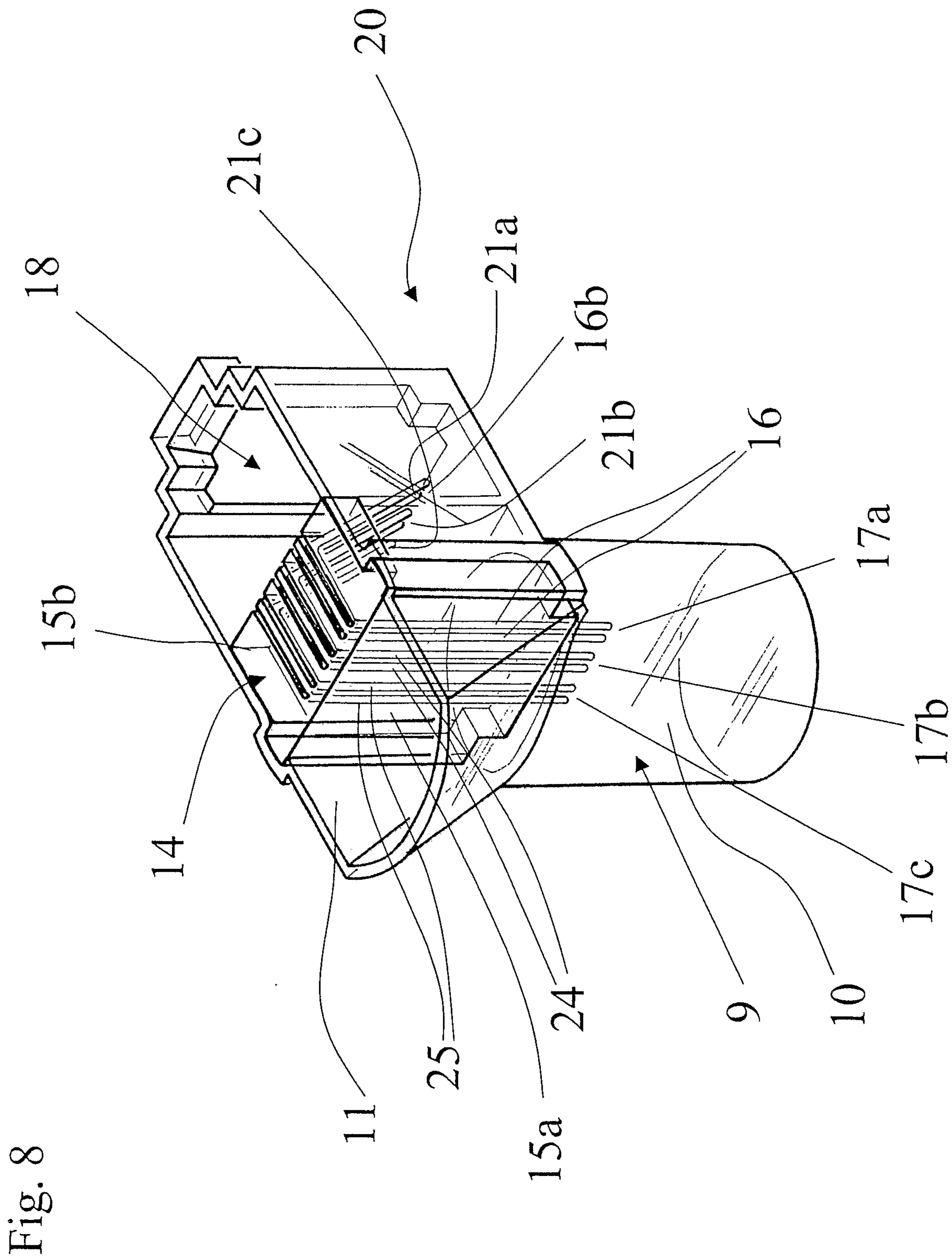


Fig. 8



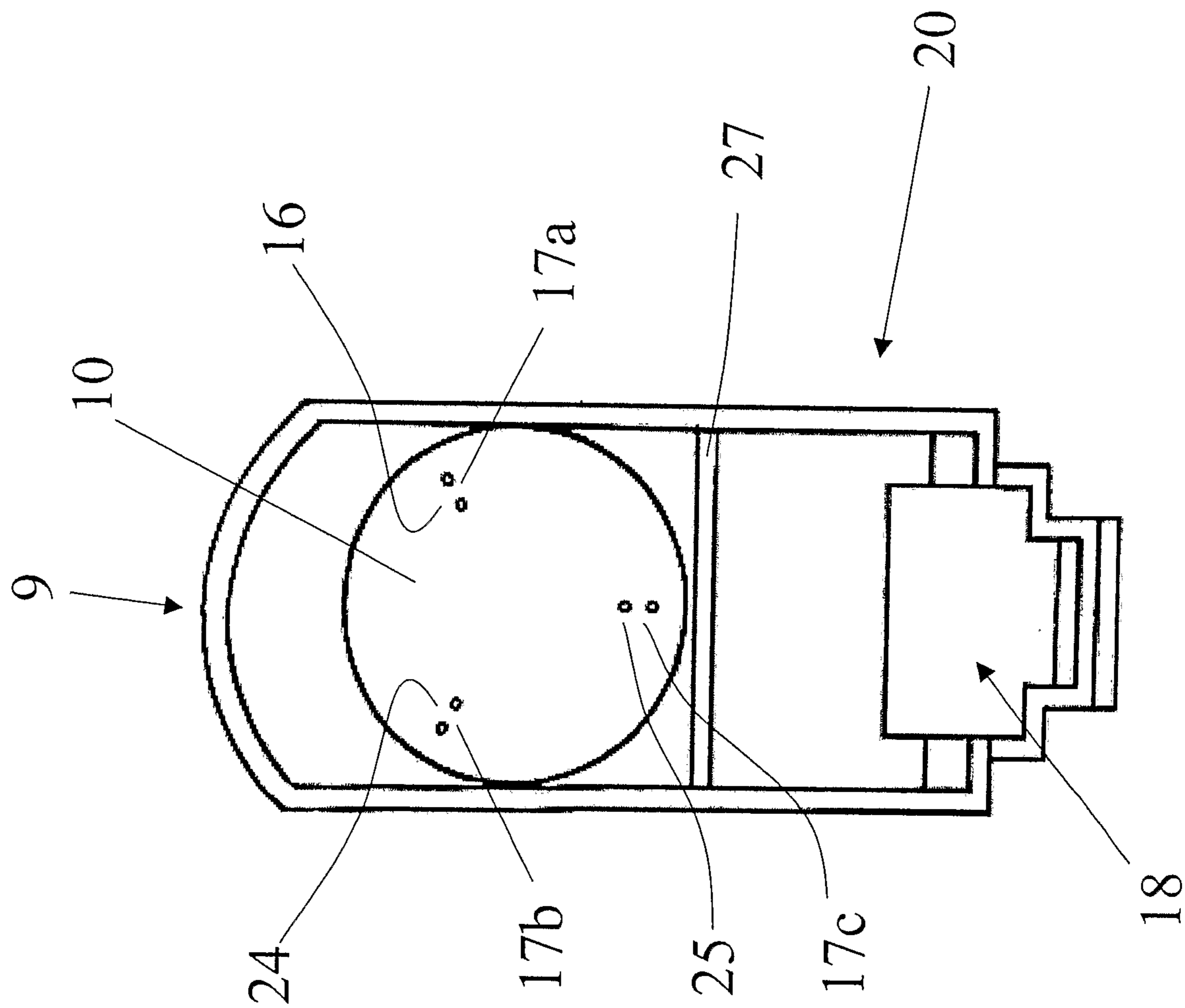
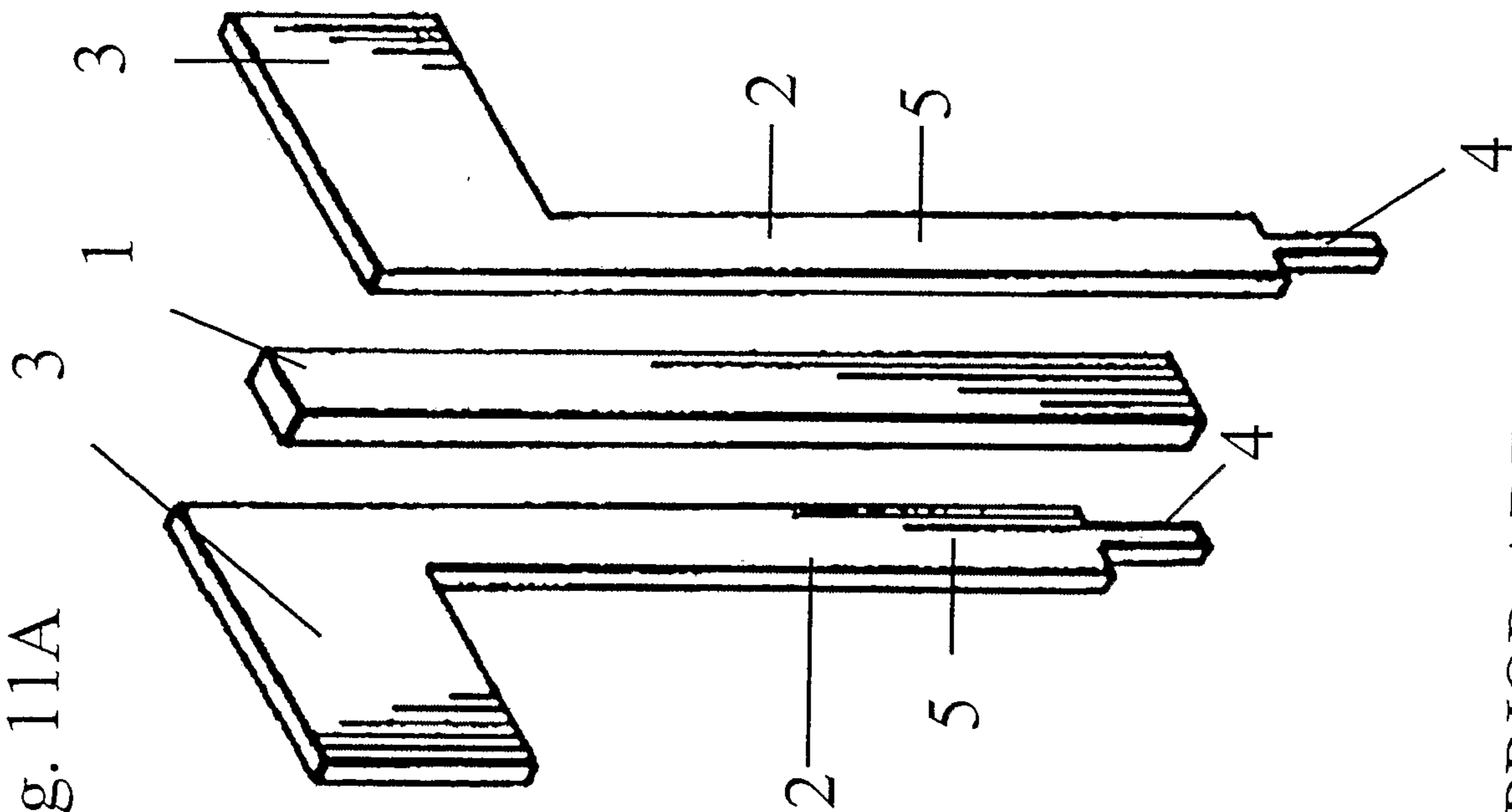


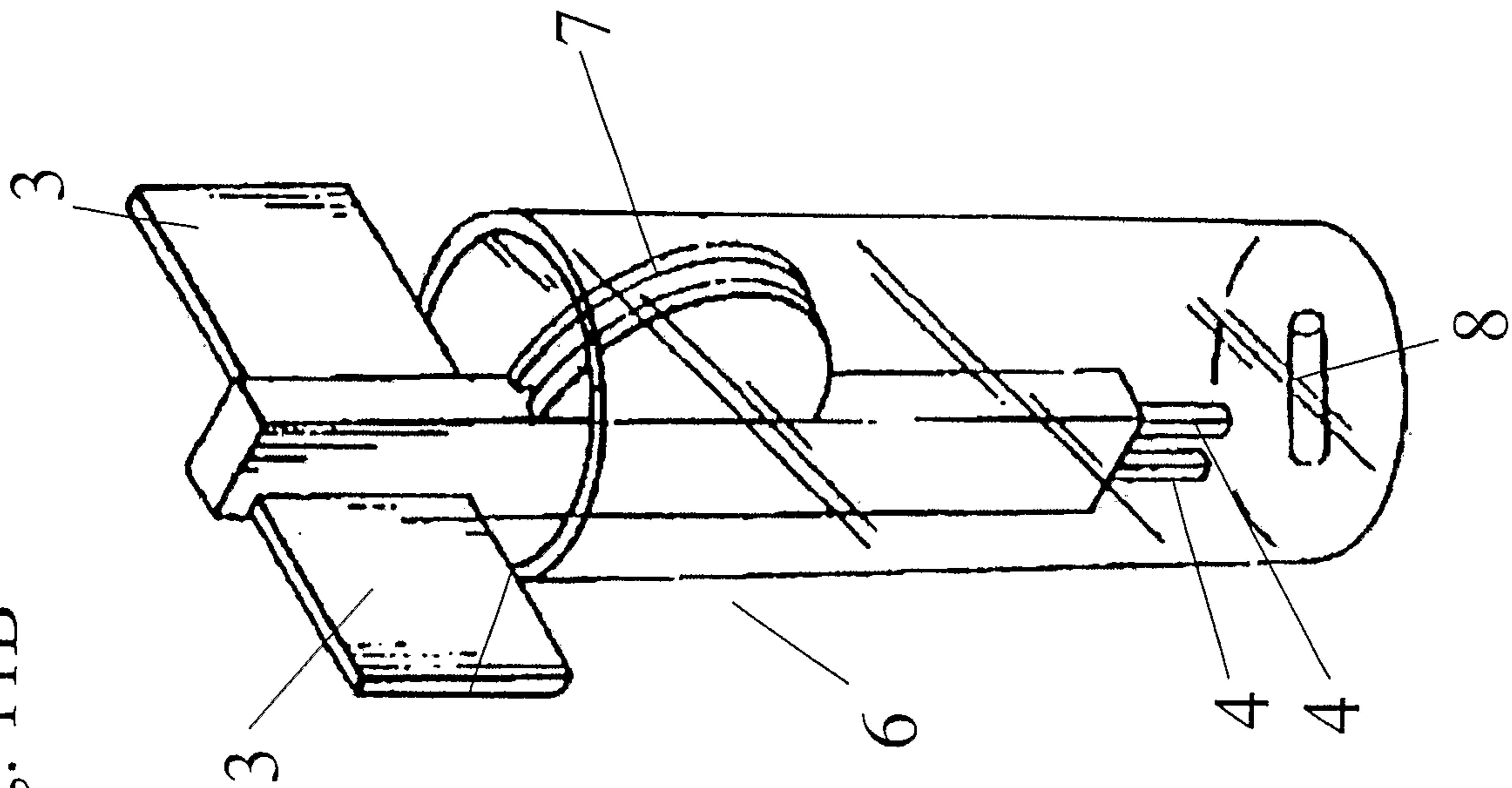
Fig. 10

Fig. 11A



PRIOR ART

Fig. 11B



PRIOR ART

