



US00D463596S

(12) **United States Design Patent** (10) **Patent No.:** **US D463,596 S**
McGaffigan (45) **Date of Patent:** **** Sep. 24, 2002**

(54) **FLASHLIGHT**

(76) Inventor: **Thomas H. McGaffigan**, 19089
Brookhaven Dr., Saratoga, CA (US)
95070

(**) Term: **14 Years**

(21) Appl. No.: **29/154,608**

(22) Filed: **Jan. 22, 2002**

(51) **LOC (7) Cl.** **26-02**

(52) **U.S. Cl.** **D26/49**

(58) **Field of Search** D26/37-50; 362/157,
362/158, 171, 172, 173, 183-208

(56) **References Cited**

U.S. PATENT DOCUMENTS

D371,214 S	*	6/1996	Terry, Jr.	D26/49
D413,401 S	*	8/1999	McDonald et al.	D26/49
D450,868 S	*	11/2001	Maximilian-Yee	D26/49

* cited by examiner

Primary Examiner—Marcus A. Jackson
(74) *Attorney, Agent, or Firm*—Burns, Doane, Swecker & Mathis, LLP

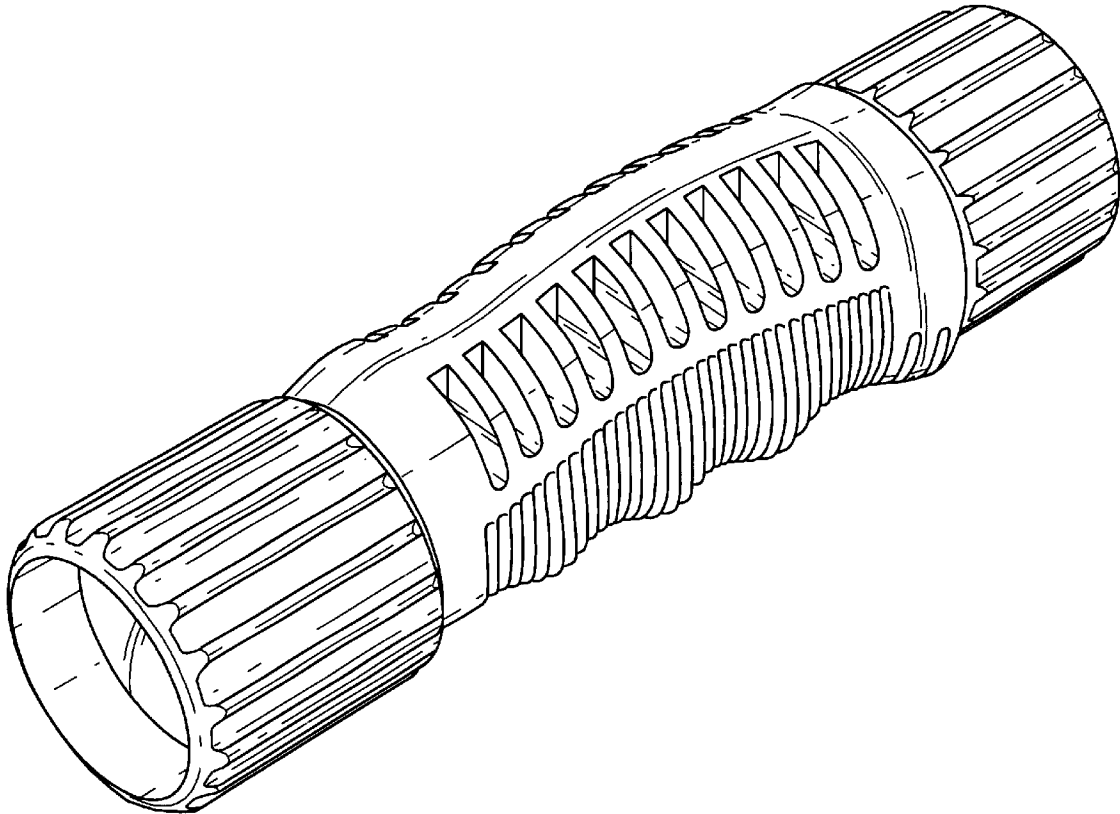
(57) **CLAIM**

The ornamental design for a flashlight, as shown and described.

DESCRIPTION

FIG. 1 is a perspective view of a flashlight showing my new design;
FIG. 2 is a right side view thereof, the left side view being substantially a mirror image thereof;
FIG. 3 is a top view thereof;
FIG. 4 is a bottom view thereof;
FIG. 5 is a front view thereof;
FIG. 6 is a back view thereof;
FIG. 7 is a right side view of an alternative embodiment of a flashlight showing my new design, the left side view being substantially a mirror image thereof;
FIG. 8 is a top view thereof; and,
FIG. 9 is a bottom view thereof.

1 Claim, 5 Drawing Sheets



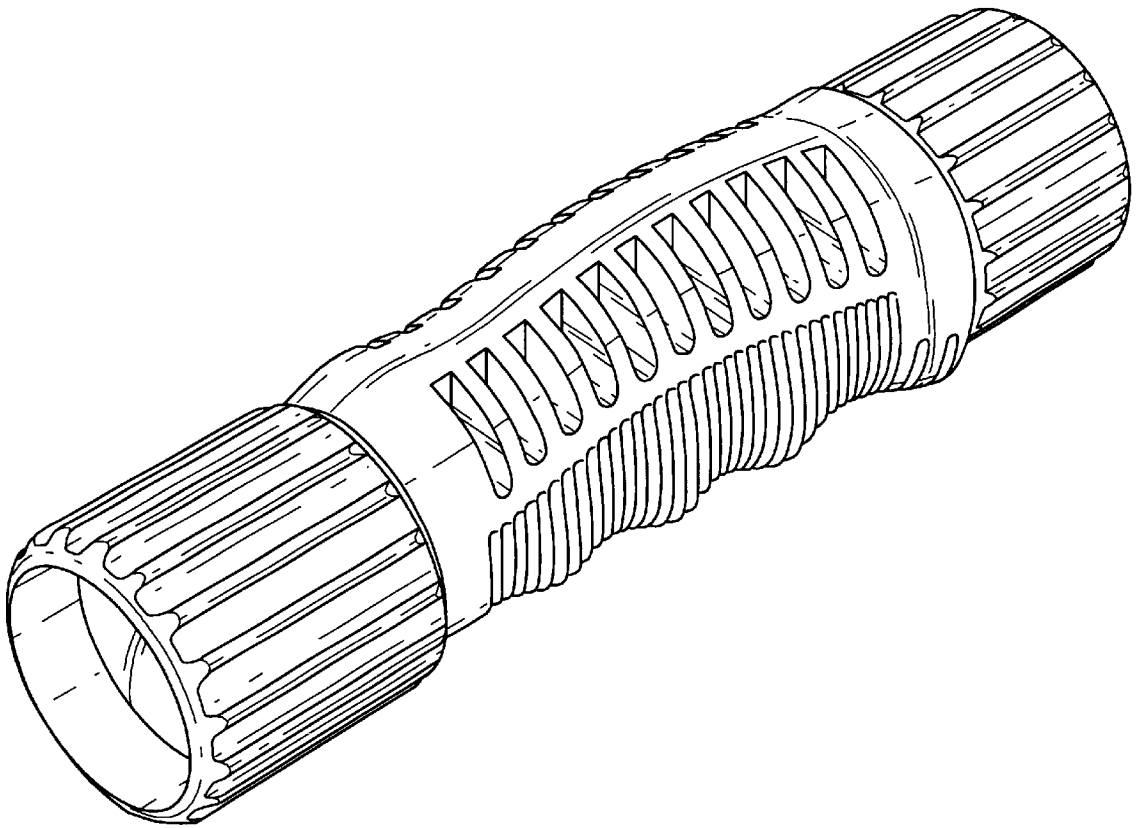


FIG. 1

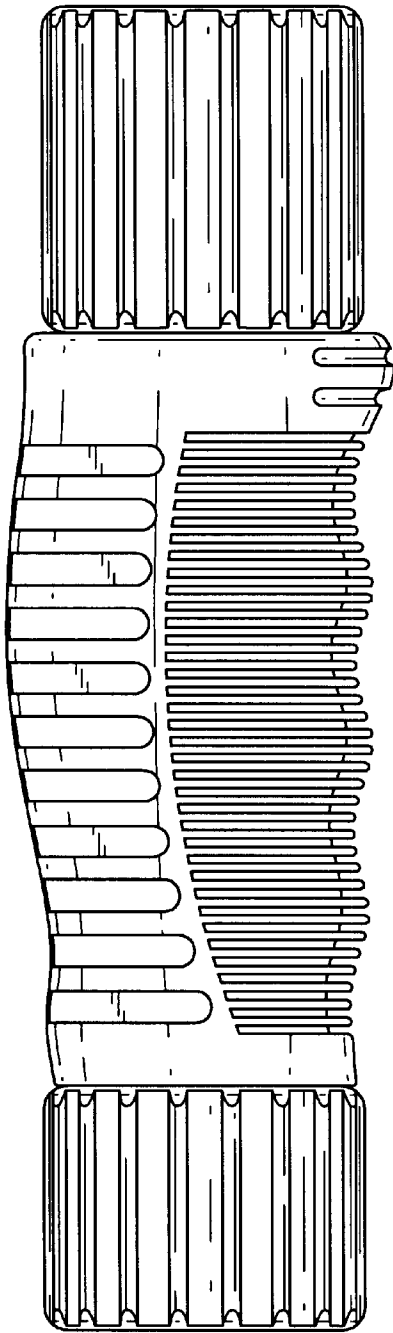


FIG. 2

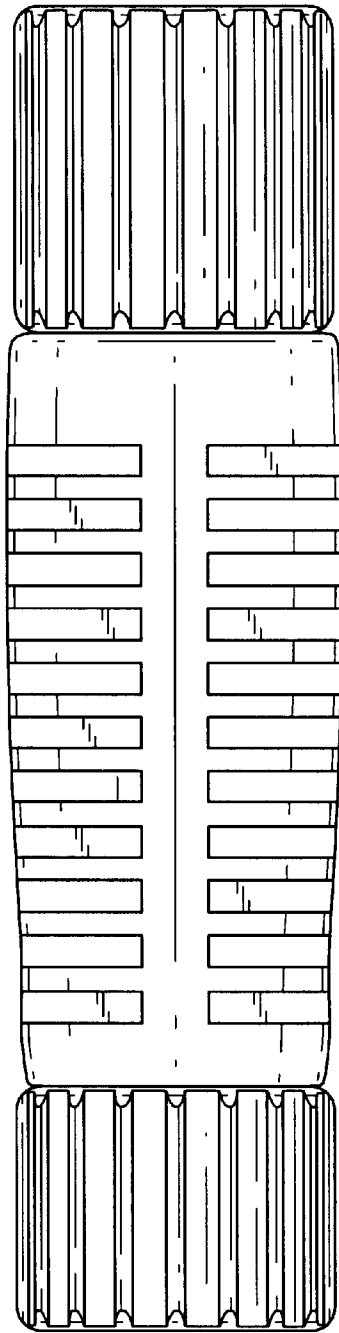


FIG. 3

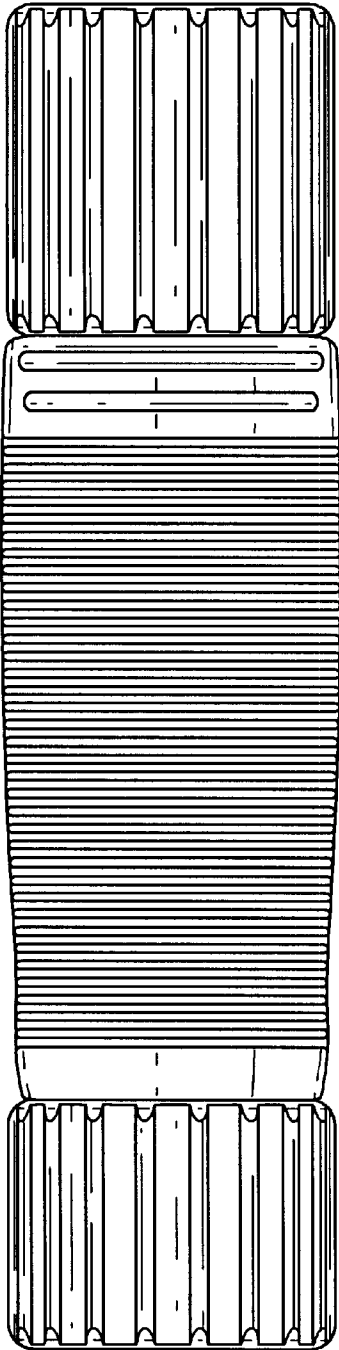


FIG. 4

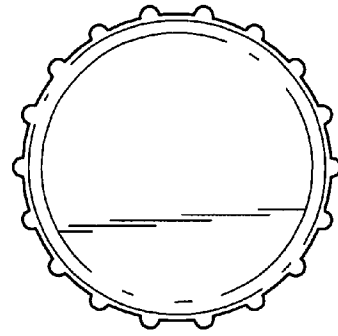


FIG. 6

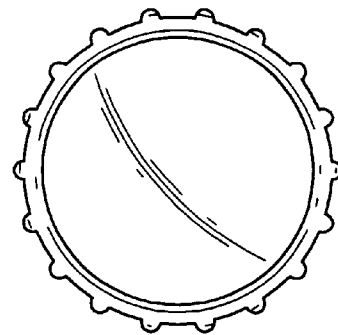


FIG. 5

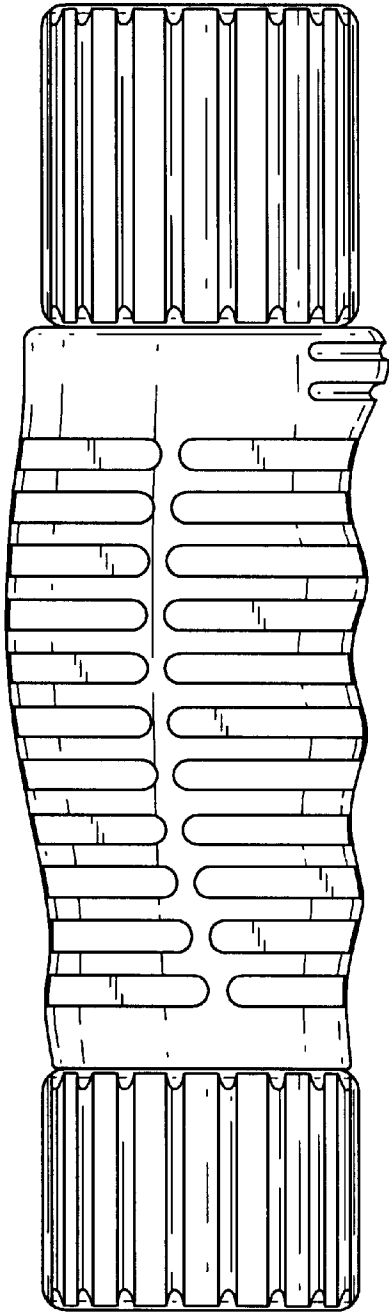


FIG. 7

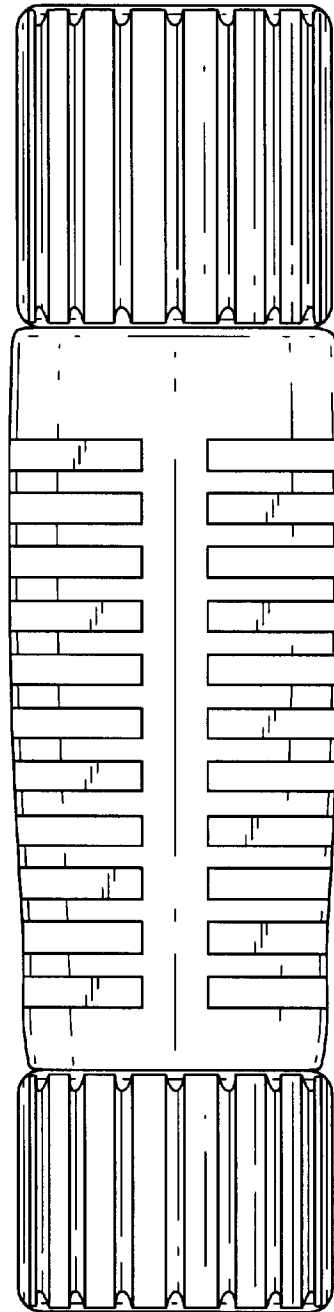


FIG. 8

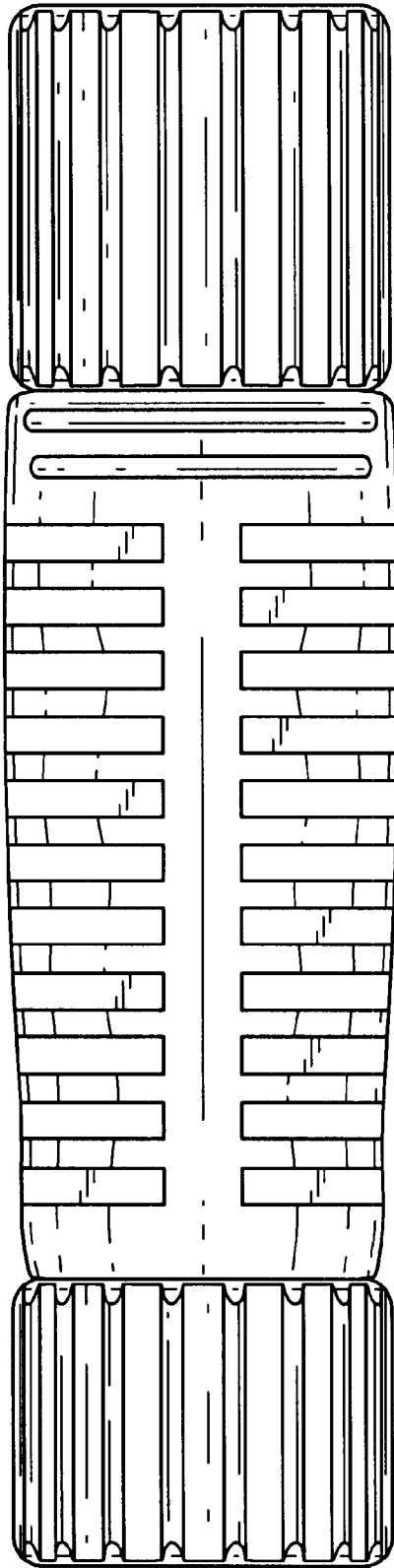


FIG. 9