



US00D407409S

United States Patent [19]

[11] Patent Number: **Des. 407,409**

Masuda et al.

[45] Date of Patent: ****Mar. 30, 1999**

[54] **RODLESS CYLINDER**

5,275,088 1/1994 Takada et al. 92/165 R
5,363,741 11/1994 Takada et al. 92/165 R

[75] Inventors: **Mitsuo Masuda; Yoshiyuki Sugahara,**
both of Yawara-mura, Japan

Primary Examiner—Ted Shooman
Assistant Examiner—Nanda Bondade
Attorney, Agent, or Firm—Oblon, Spivak, McClelland,
Maier & Neustadt, P.C.

[73] Assignee: **SMC Corporation,** Tokyo, Japan

[**] Term: **14 Years**

[57] CLAIM

[21] Appl. No.: **48,609**

The ornamental design for a rodless cylinder, as shown and described.

[22] Filed: **Jan. 5, 1996**

[30] Foreign Application Priority Data

DESCRIPTION

Jul. 7, 1995 [JP] Japan 7-19687

FIG. 1 is a top, front and left side perspective view of rodless cylinder, showing our new design;
FIG. 2 is a front elevational view thereof;
FIG. 3 is a rear elevational view thereof;
FIG. 4 is a top plan view thereof;
FIG. 5 is a left side view thereof;
FIG. 6 is a right side view thereof;
FIG. 7 is a bottom plan view thereof; and,
FIG. 8 is a bottom, rear and right side perspective view thereof.

[51] **LOC (6) Cl.** **15-01**

[52] **U.S. Cl.** **D15/5; D15/199**

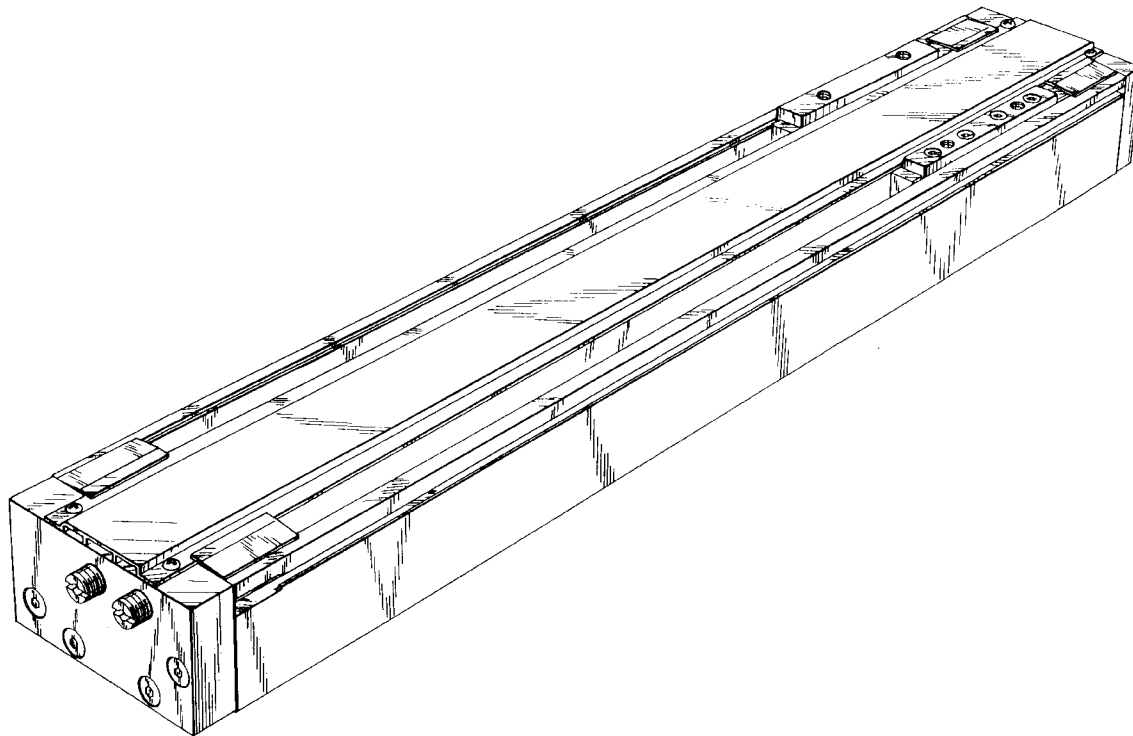
[58] **Field of Search** D15/5, 143, 199;
92/88, 137, 146, 165 R; 277/DIG. 7; 384/43,
49

[56] References Cited

U.S. PATENT DOCUMENTS

1 Claim, 5 Drawing Sheets

D. 333,666 3/1993 Kawashima et al. D15/199 X



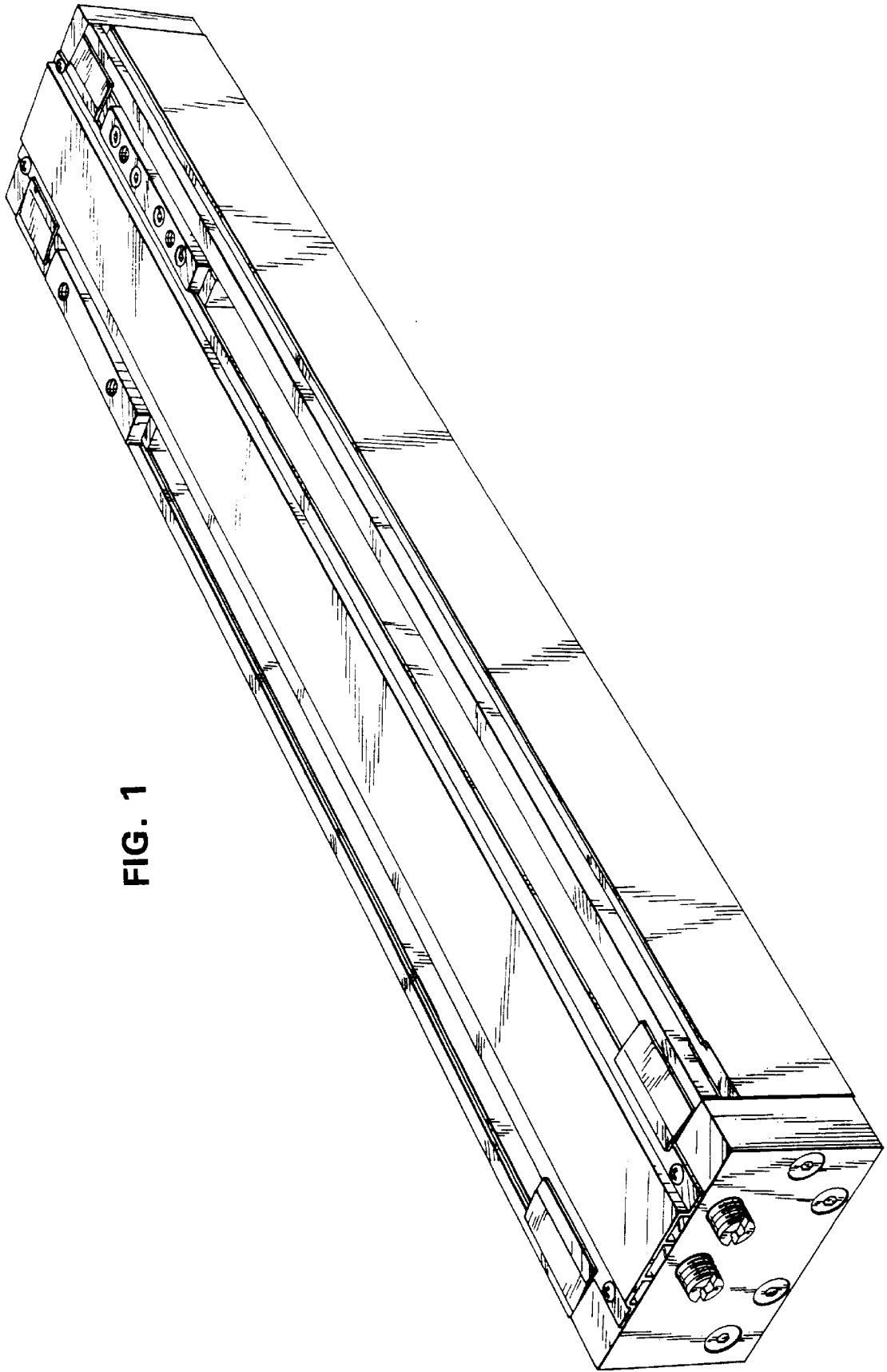


FIG. 1

FIG. 2

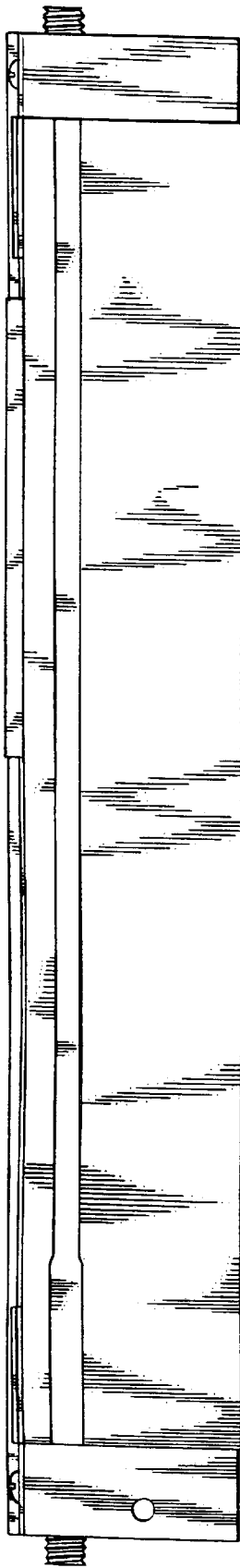


FIG. 3

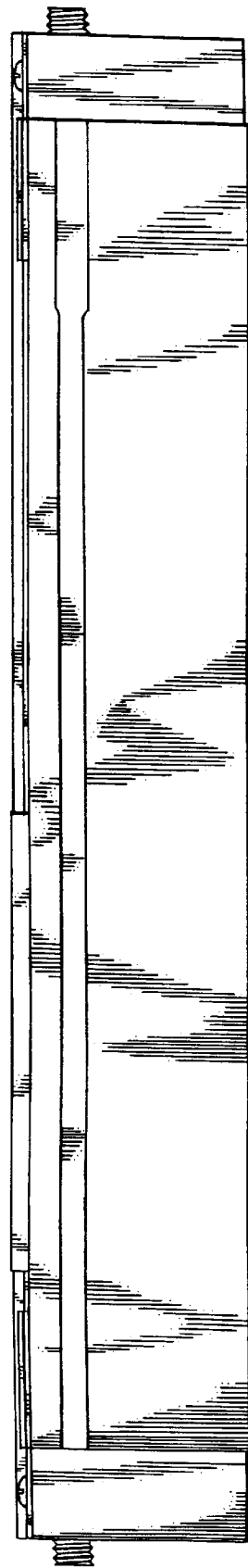


FIG. 4

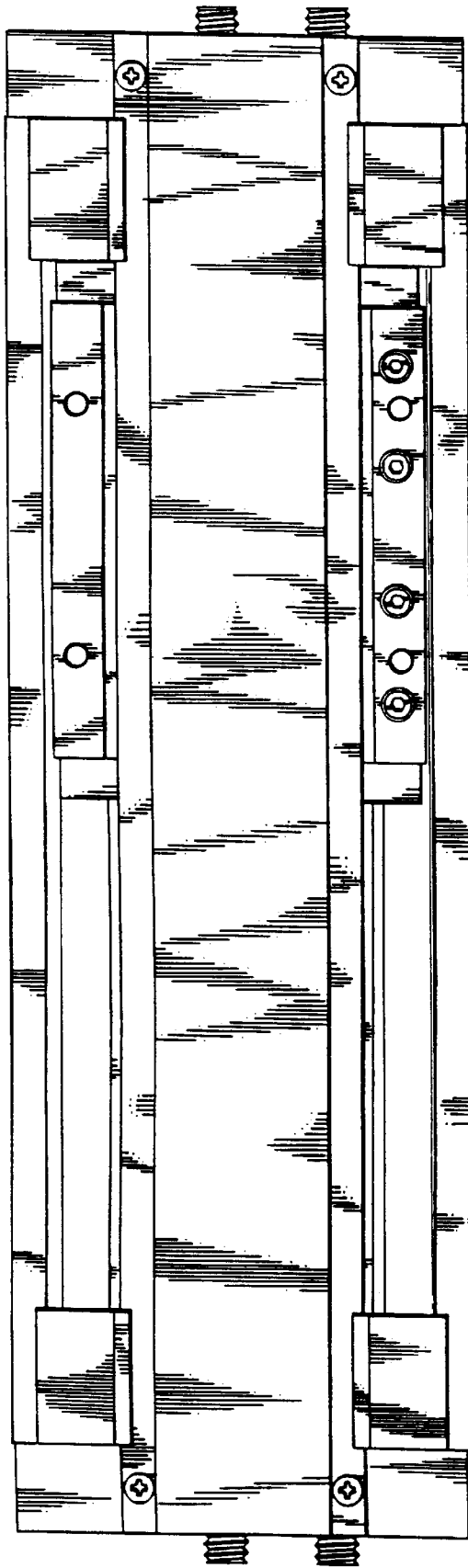


FIG. 5

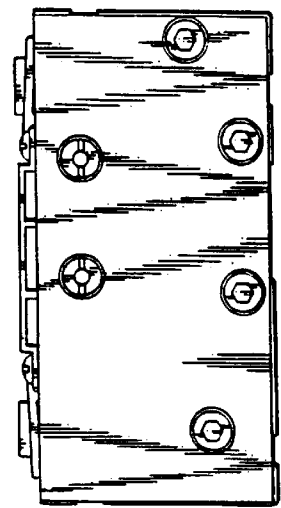


FIG. 6

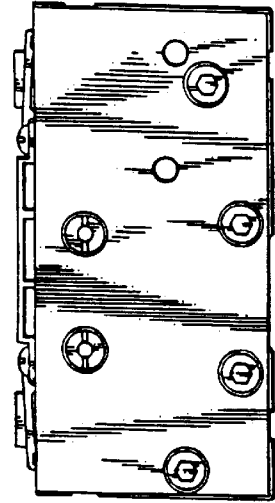


FIG. 7

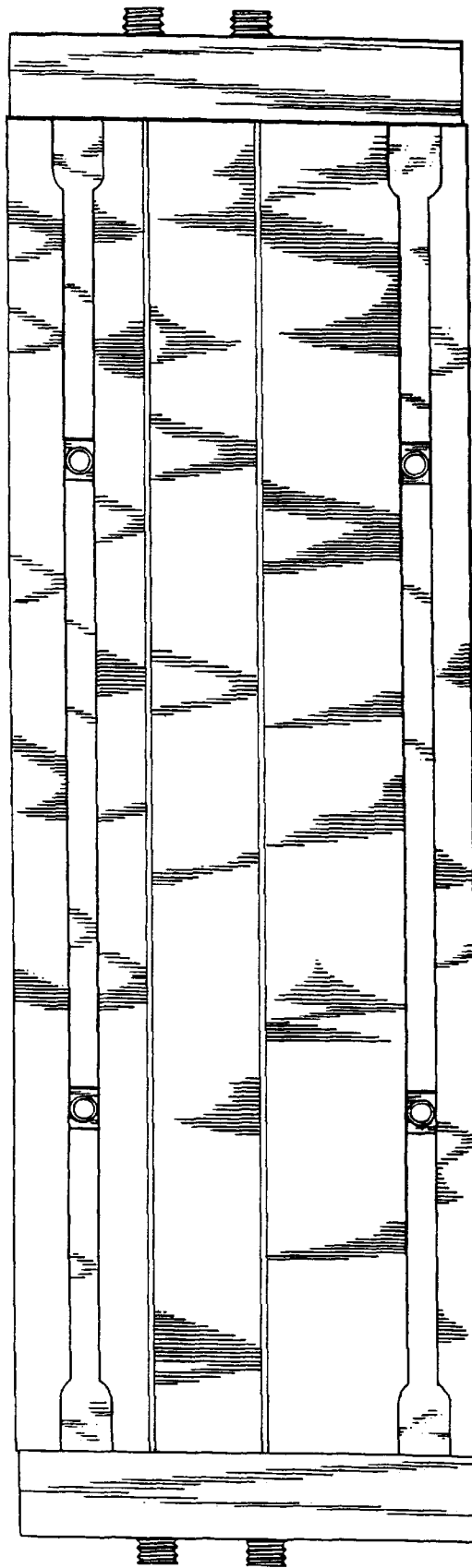


FIG. 8

