



US00D764460S

(12) **United States Design Patent**
Veja et al.

(10) **Patent No.:** **US D764,460 S**

(45) **Date of Patent:** **** Aug. 23, 2016**

(54) **INFORMATION SECURITY APPLIANCE**

(71) Applicant: **Bitdefender IPR Management Ltd.**,
Nicosia (CY)

(72) Inventors: **Alexandru V. Veja**, Cluj-Napoca (RO);
Andrei Barbu, Vaslui (RO); **Dan R. Berte**,
Cluj-Napoca (RO); **Bogdan C. Dumitru**,
Bucuresti (RO)

(73) Assignee: **Bitdefender IPR Management Ltd.**,
Nicosia (CY)

(**) Term: **14 Years**

(21) Appl. No.: **29/494,707**

(22) Filed: **Jun. 24, 2014**

(51) **LOC (10) Cl.** **14-02**

(52) **U.S. Cl.**
USPC **D14/358**

(58) **Field of Classification Search**
USPC D14/300-302, 314, 348-370, 383-385;
D10/65, 75, 78, 104.1; D13/103, 119,
D13/162, 184, 199
CPC .. G11B 33/027; G11B 33/122; G11B 33/124;
G11B 33/022; G11B 33/025

See application file for complete search history.

(56) **References Cited**

U.S. PATENT DOCUMENTS

D417,842 S * 12/1999 Williams D9/416
D648,270 S * 11/2011 Jiang D13/103
D657,784 S * 4/2012 Akana D14/314
D719,862 S * 12/2014 Fiedler D10/106.95

OTHER PUBLICATIONS

Barbu, U.S. Appl. No. 29/485,389, filed Mar. 18, 2014.
Barbu, U.S. Appl. No. 29/485,390, filed Mar. 18, 2014.
Barbu, U.S. Appl. No. 29/502,455, filed Sep. 16, 2014.

* cited by examiner

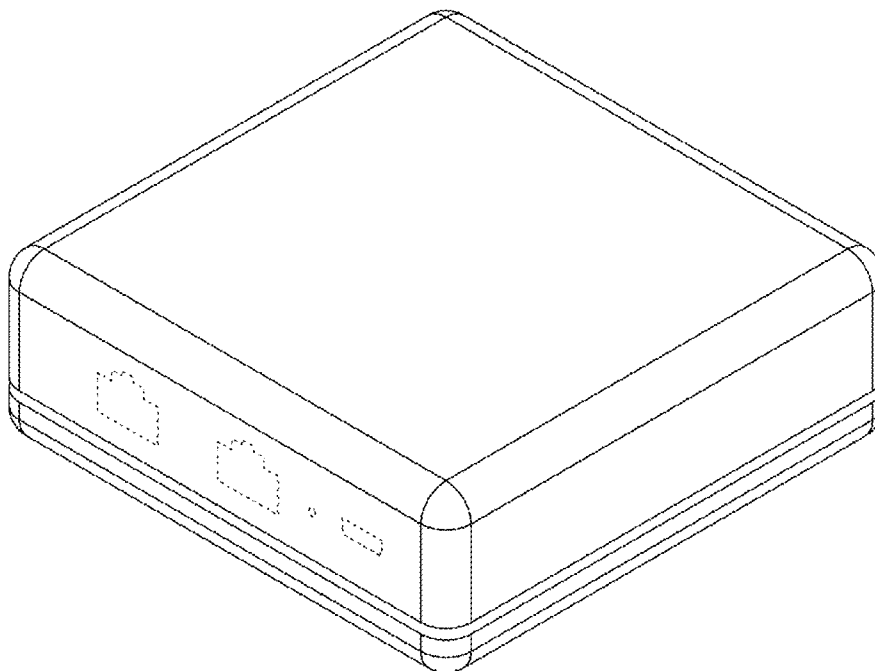
Primary Examiner — George D Kirschbaum
(74) *Attorney, Agent, or Firm* — Law Office of Andrei D Popovici, PC

(57) **CLAIM**
What is claimed is the ornamental design for an information security appliance, as shown.

DESCRIPTION

FIG. 1 shows a front isometric view of an information security appliance;
FIG. 2 shows a bottom plan view thereof;
FIG. 3 shows a top plan view thereof;
FIG. 4 shows a rear plan view thereof;
FIG. 5 shows a front plan view thereof;
FIG. 6 shows a left side plan view thereof; and,
FIG. 7 shows a right side plan view thereof.
In the drawings, the broken line showing of ports depicts environmental subject matter and forms no part of the claim.

1 Claim, 7 Drawing Sheets



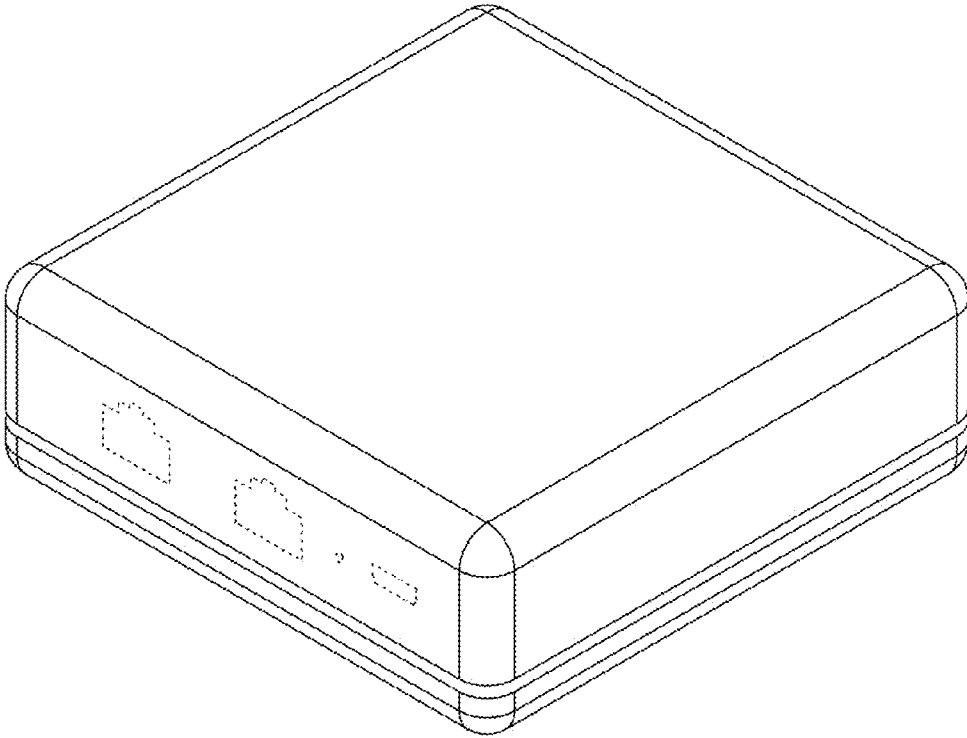


FIG. 1

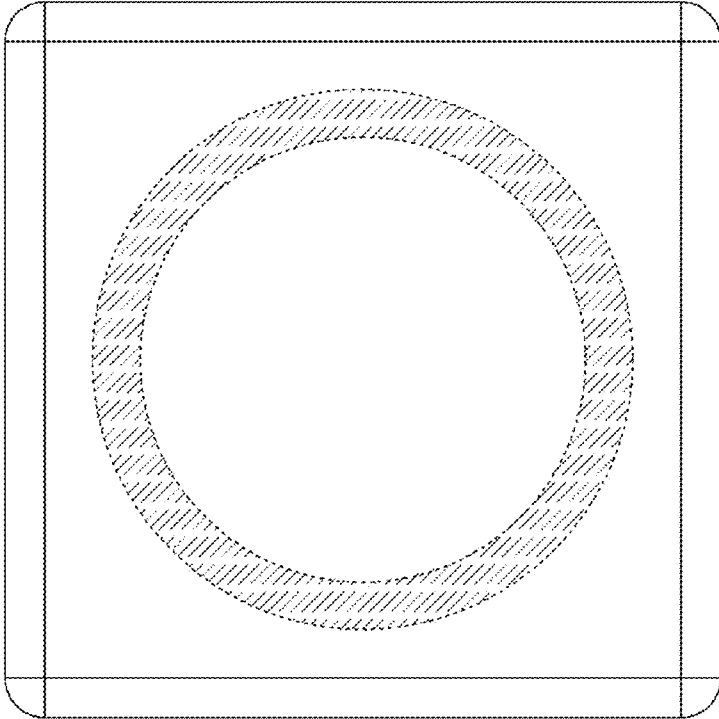


FIG. 2

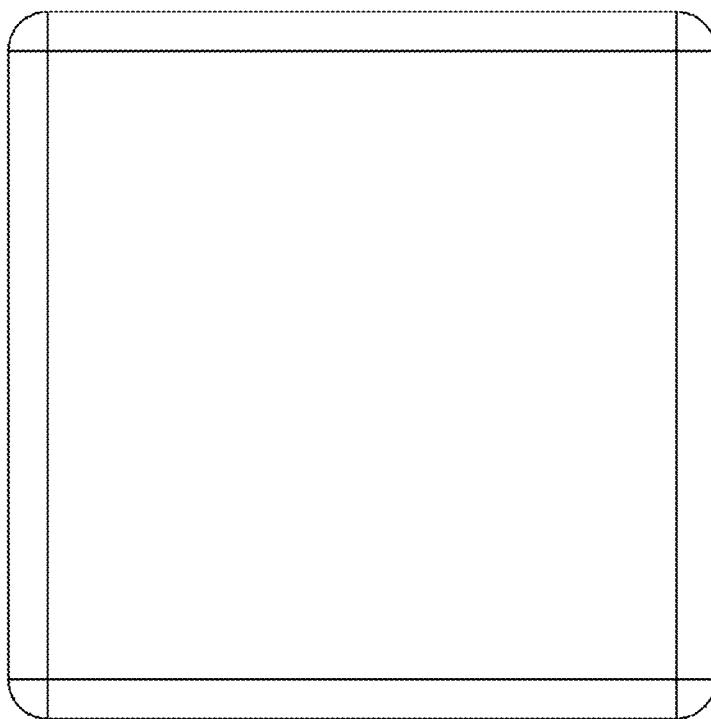


FIG. 3

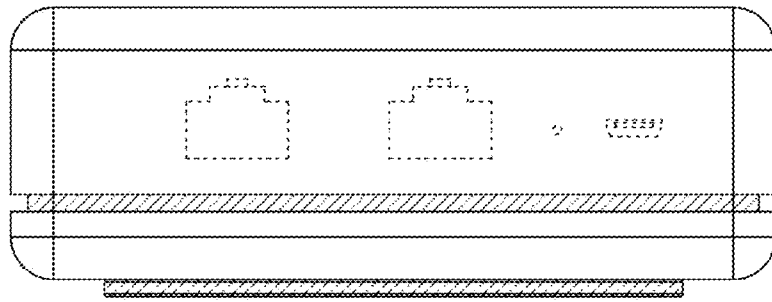


FIG. 4

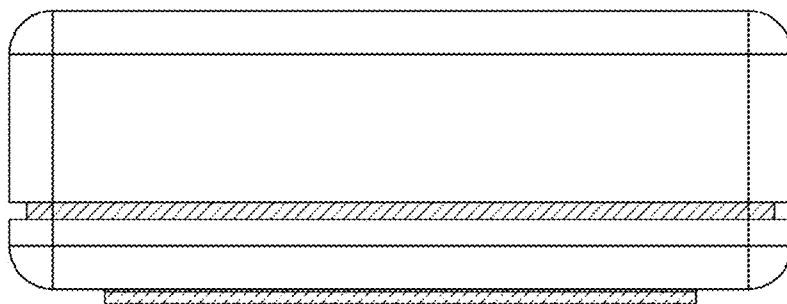


FIG. 5

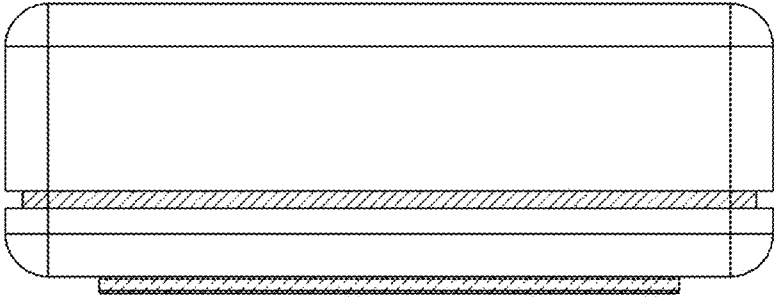


FIG. 6

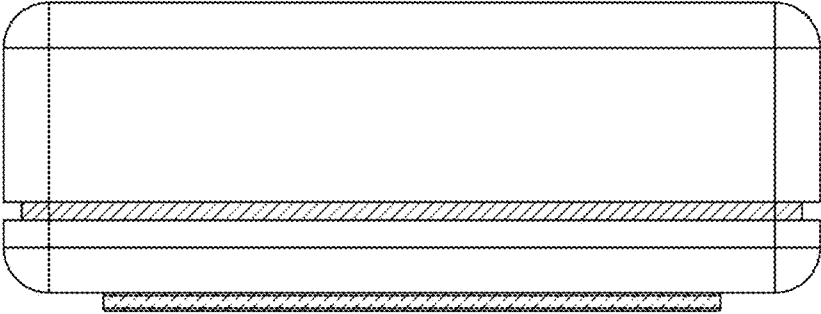


FIG. 7