



US0D1045404S

(12) **United States Design Patent**
Smith

(10) **Patent No.:** **US D1,045,404 S**

(45) **Date of Patent:** **** Oct. 8, 2024**

- (54) **VENTED HELIX BRUSH**
- (71) Applicant: **Melissa Ashley Smith**, The Woodlands, TX (US)
- (72) Inventor: **Melissa Ashley Smith**, The Woodlands, TX (US)
- (**) Term: **15 Years**

D846,887 S	4/2019	Treeby et al.	
D884,360 S	5/2020	Hou	
D911,717 S	3/2021	Rennette	
D916,468 S	4/2021	Rennette	
D930,993 S *	9/2021	Russo	D4/133
D950,962 S *	5/2022	Russo	D4/128
D971,616 S *	12/2022	Rennette	D4/128
D977,259 S *	2/2023	Chu	D4/133

(Continued)

- (21) Appl. No.: **29/809,324**
 - (22) Filed: **Sep. 27, 2021**
 - (51) **LOC (14) Cl.** **04-02**
 - (52) **U.S. Cl.**
USPC **D4/128**
 - (58) **Field of Classification Search**
USPC D4/127, 128, 130, 132, 133, 138, 199
CPC .. A46B 1/00; A46B 3/00; A46B 3/005; A46B 3/02; A46B 3/04; A46B 3/20; A46B 3/22; A46B 5/00; A46B 5/002; A46B 5/0025; A46B 5/0054; A46B 5/0062; A46B 5/02; A46B 5/021; A46B 5/023; A46B 5/025; A46B 5/026; A46B 7/00; A46B 9/00; A46B 9/02; A46B 9/023; A46B 13/00; A46B 13/001; A46B 2200/00; A46B 2200/10; A46B 2200/104; B25G 1/00; B25G 3/00
- See application file for complete search history.

OTHER PUBLICATIONS

Phillips Brush Tourmaline Monster Vent 2, earliest review Mar. 25, 2011 [online], [retrieved Jan. 30, 2024]. Retrieved from internet, <https://www.amazon.com/dp/B00E8LUIRM/> (Year: 2011).*

Primary Examiner — Alison M Ofstun
Assistant Examiner — Evin F Ershock
(74) *Attorney, Agent, or Firm* — Michael D. Ellis; Stibbs & Co., P.C.

(57) **CLAIM**

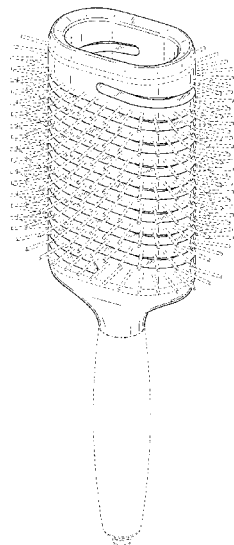
The ornamental design for a vented helix brush, as shown and described.

DESCRIPTION

FIG. 1 is a top, perspective view of a vented helix brush, showing my new design.
FIG. 2 is a bottom, perspective view thereof.
FIG. 3 is a front view thereof. The rear view is the same as the front view.
FIG. 4 is a right side view thereof. The left side view is the same as the right side view.
FIG. 5 is a top view thereof; and,
FIG. 6 is a bottom view thereof.
The dash-dash broken line shown in the drawings represent portions of the vented helix brush, and form no part of the claimed design. The dot-dash style of broken lines shown in the drawings represents the boundary of the claim, and forms no part of the claimed design.

1 Claim, 5 Drawing Sheets

- (56) **References Cited**
U.S. PATENT DOCUMENTS
- | | | | |
|--------------|---------|---------------|--------|
| D430,348 S * | 8/2000 | Moreno | D4/128 |
| D456,145 S * | 4/2002 | Wong | D4/128 |
| D471,718 S * | 3/2003 | Park | D4/133 |
| D472,053 S * | 3/2003 | Park | D4/128 |
| D473,718 S * | 4/2003 | Park | D4/128 |
| D544,214 S * | 6/2007 | Wang | D4/128 |
| D555,907 S | 11/2007 | Rennette | |
| D621,163 S | 8/2010 | Rennette | |
| D710,114 S * | 8/2014 | Yao | D4/128 |
| D846,286 S | 4/2019 | Treeby et al. | |



(56)

References Cited

U.S. PATENT DOCUMENTS

D977,260	S	*	2/2023	Chu	D4/133
2022/0133029	A1	*	5/2022	Chu	A46B 9/023
						132/120

* cited by examiner

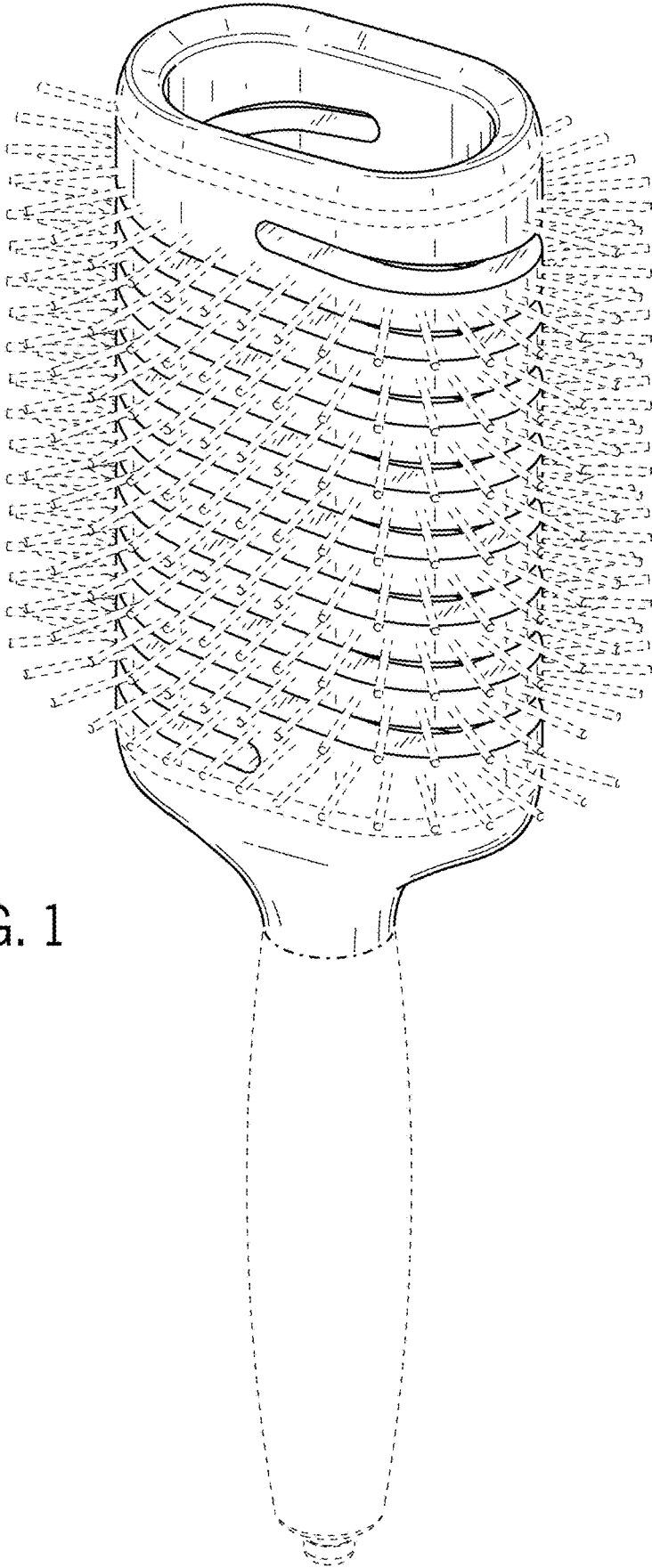


FIG. 1

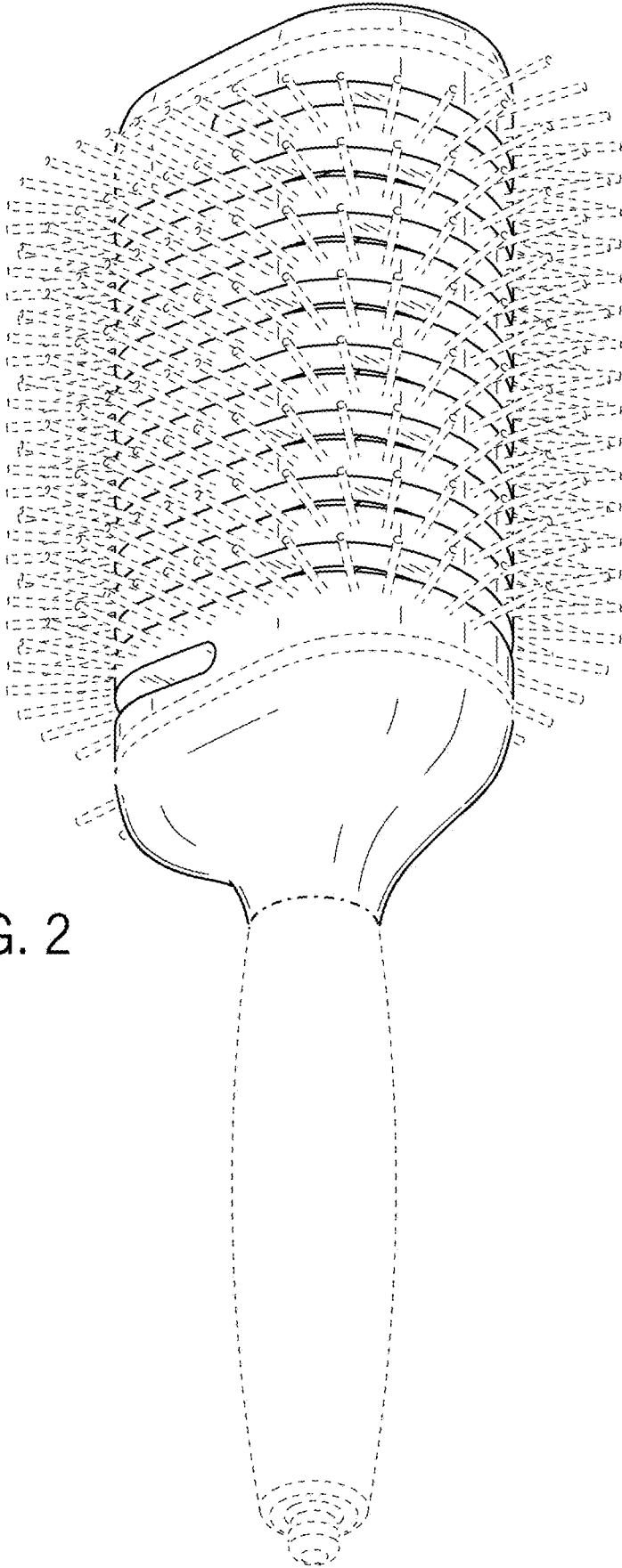


FIG. 2

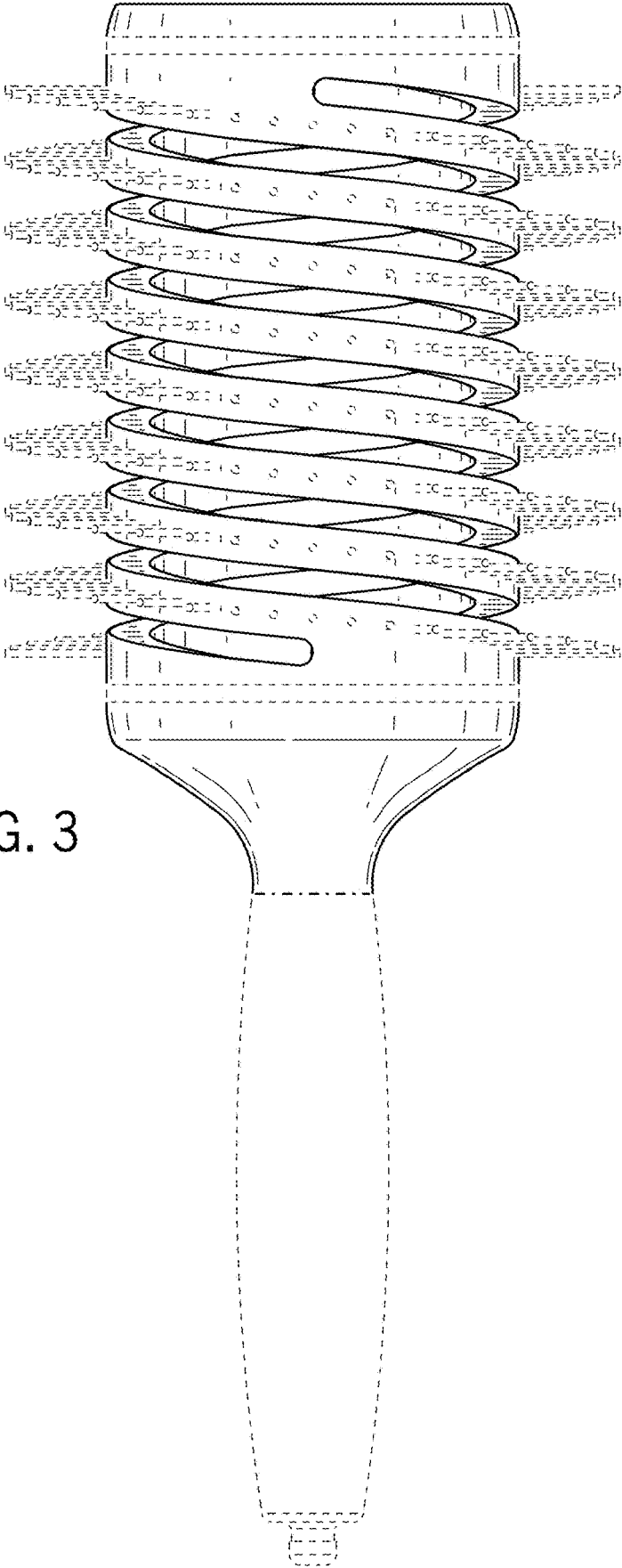


FIG. 3

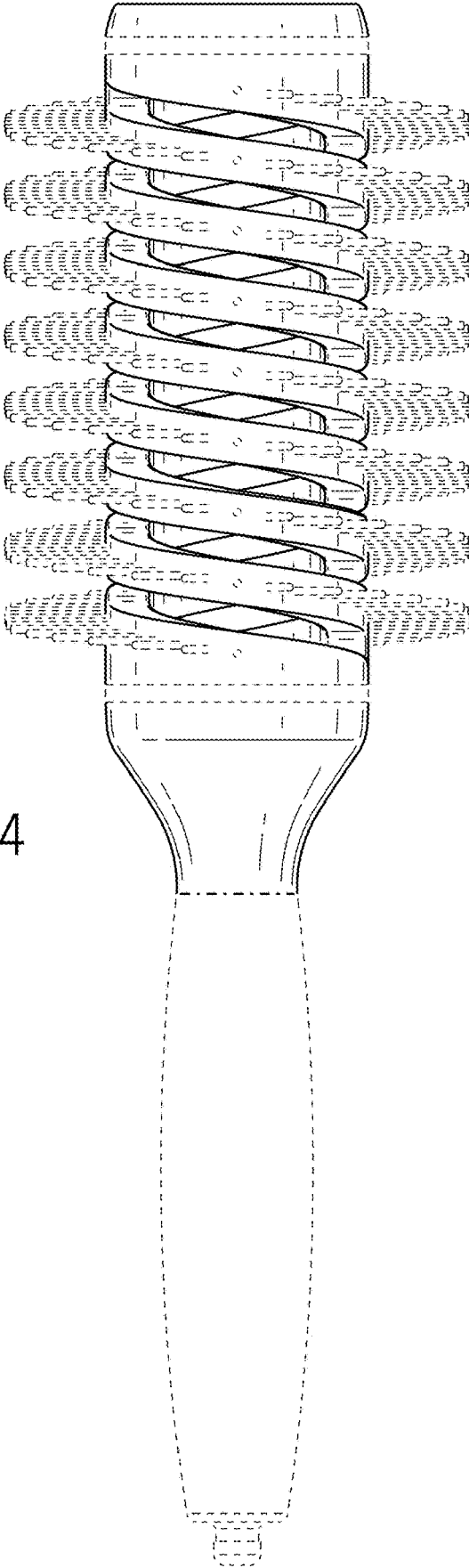


FIG. 4

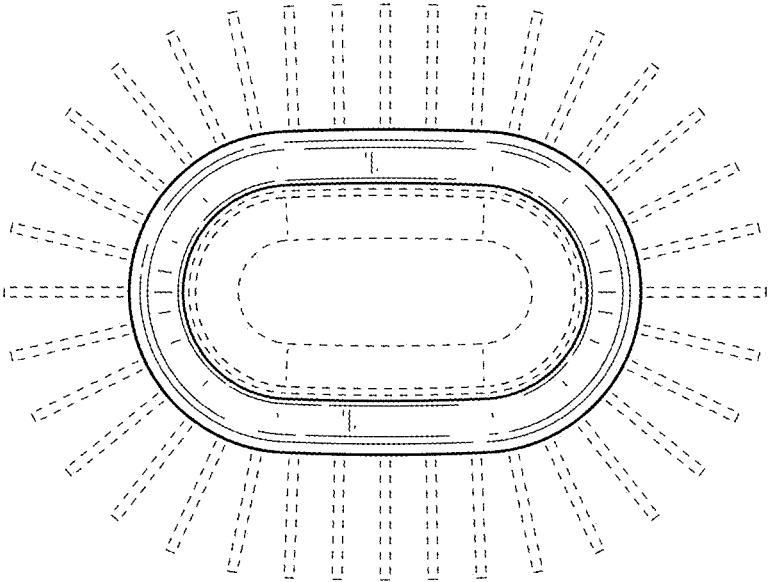


FIG. 5

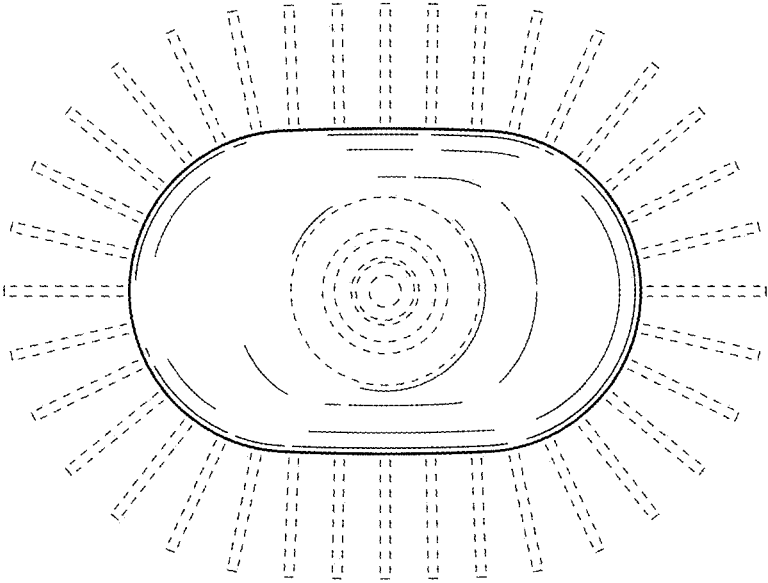


FIG. 6