

(19) World Intellectual Property Organization
International Bureau



(43) International Publication Date
25 July 2002 (25.07.2002)

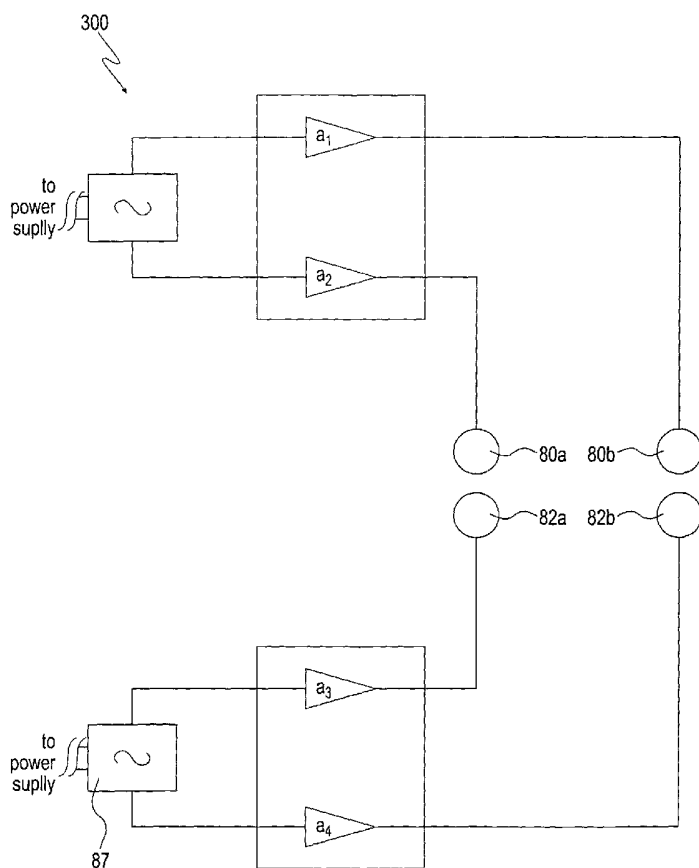
PCT

(10) International Publication Number
WO 02/056960 A3

- (51) International Patent Classification⁷: **A61N 1/32**
- (21) International Application Number: PCT/IL02/00035
- (22) International Filing Date: 16 January 2002 (16.01.2002)
- (25) Filing Language: English
- (26) Publication Language: English
- (30) Priority Data:
140950 17 January 2001 (17.01.2001) IL
- (71) Applicant (for all designated States except US): **LIFE-WARE LTD.** [IL/IL]; Azrieli 1, 132 Derech Petach Tikva, 67012 Tel Aviv (IL).
- (72) Inventor; and
- (75) Inventor/Applicant (for US only): **NACHUM, Zvi** [IL/IL]; Zipori St. 2, 14204 Tiebrias (IL).
- (74) Agent: **FRIEDMAN, Mark, M.**; Beit Samuellof, Haomanim St. 7, 67897 Tel Aviv (IL).
- (81) Designated States (national): AE, AG, AL, AM, AT, AU, AZ, BA, BB, BG, BR, BY, BZ, CA, CH, CN, CO, CR, CU, CZ, DE, DK, DM, DZ, EE, ES, FI, GB, GD, GE, GH, GM, HR, HU, ID, IL, IN, IS, JP, KE, KG, KP, KR, KZ, LC, LK, LR, LS, LT, LU, LV, MA, MD, MG, MK, MN, MW, MX, MZ, NO, NZ, OM, PH, PL, PT, RO, RU, SD, SE, SG, SI, SK, SL, TJ, TM, TN, TR, TT, TZ, UA, UG, US, UZ, VN, YU, ZA, ZM, ZW.
- (84) Designated States (regional): ARIPO patent (GH, GM, KE, LS, MW, MZ, SD, SL, SZ, TZ, UG, ZM, ZW), Eurasian patent (AM, AZ, BY, KG, KZ, MD, RU, TJ, TM), European patent (AT, BE, CH, CY, DE, DK, ES, FI, FR, GB, GR, IE, IT, LU, MC, NL, PT, SE, TR), OAPI patent (BF, BJ, CF, CG, CI, CM, GA, GN, GQ, GW, ML, MR, NE, SN, TD, TG).

[Continued on next page]

(54) Title: METHOD OF AND DEVICE FOR IMPROVING BLOOD FLOW BY A SERIES OF ELECTRICALLY-INDUCED MUSCULAR CONTRACTIONS



(57) Abstract: A treatment method and device for promoting a localized increase in the flow of blood through a blood vessel in an area of the body, the method including the steps of: (a) providing a system including: (i) at least a first electrode (80a, 80b) operatively contacting a first portion of body tissue; (ii) at least a second electrode (82a, 82b) operatively contacting a second portion of body tissue; and (iii) a signal generator (87, 85), operatively connected to the first electrode and the second electrode, for providing a plurality of electrical impulses to the electrodes; (b) applying the electrical impulses so as to subject the muscular tissue to at least one voltage differential, thereby inducing a repeated, contracting, directional movement of muscular tissue associated with the blood vessel, so as to produce a localized increase in the flow of blood through the blood vessel.



WO 02/056960 A3



Published:

— *with international search report*

For two-letter codes and other abbreviations, refer to the "Guidance Notes on Codes and Abbreviations" appearing at the beginning of each regular issue of the PCT Gazette.

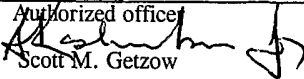
(88) Date of publication of the international search report:

9 January 2003

INTERNATIONAL SEARCH REPORT

International application No.

PCT/IL02/00035

A. CLASSIFICATION OF SUBJECT MATTER		
IPC(7) : A61N 1/32 US CL : 607/2		
According to International Patent Classification (IPC) or to both national classification and IPC		
B. FIELDS SEARCHED		
Minimum documentation searched (classification system followed by classification symbols) U.S. : 607/2,66,67,72,76		
Documentation searched other than minimum documentation to the extent that such documents are included in the fields searched		
Electronic data base consulted during the international search (name of data base and, where practicable, search terms used)		
C. DOCUMENTS CONSIDERED TO BE RELEVANT		
Category *	Citation of document, with indication, where appropriate, of the relevant passages	Relevant to claim No.
Y,P --- A,P	US 6,226,552 B1 (STAUNTON et al) 01 May 2001 (01.05.2001), see entire document.	1-3,38-43,49 ----- 4-37,44-48,50,51
<input type="checkbox"/> Further documents are listed in the continuation of Box C. <input type="checkbox"/> See patent family annex.		
* Special categories of cited documents:		
"A" document defining the general state of the art which is not considered to be of particular relevance	"T" later document published after the international filing date or priority date and not in conflict with the application but cited to understand the principle or theory underlying the invention	
"E" earlier application or patent published on or after the international filing date	"X" document of particular relevance; the claimed invention cannot be considered novel or cannot be considered to involve an inventive step when the document is taken alone	
"L" document which may throw doubts on priority claim(s) or which is cited to establish the publication date of another citation or other special reason (as specified)	"Y" document of particular relevance; the claimed invention cannot be considered to involve an inventive step when the document is combined with one or more other such documents, such combination being obvious to a person skilled in the art	
"O" document referring to an oral disclosure, use, exhibition or other means	"&" document member of the same patent family	
"P" document published prior to the international filing date but later than the priority date claimed		
Date of the actual completion of the international search	Date of mailing of the international search report	
23 July 2002 (23.07.2002)	21 AUG 2002	
Name and mailing address of the ISA/US Commissioner of Patents and Trademarks Box PCT Washington, D.C. 20231	Authorized officer  Scott M. Getzow	
Facsimile No. (703)305-3230	Telephone No. (703) 308-0858	