

US00D528803S

(12) **United States Design Patent**  
**Hohlbein**

(10) **Patent No.:** **US D528,803 S**

(45) **Date of Patent:** **\*\* Sep. 26, 2006**

(54) **HEAD FOR A TOOTHBRUSH**

5,860,183 A 1/1999 Kam  
6,135,274 A 10/2000 James  
6,397,860 B1 6/2002 Hill

(75) Inventor: **Douglas J. Hohlbein**, Pennington, NJ  
(US)

**FOREIGN PATENT DOCUMENTS**

(73) Assignee: **Colgate-Palmolive Company**, New  
York, NY (US)

WO WO 8700425 A1 \* 1/1987

(\*\*) Term: **14 Years**

\* cited by examiner

(21) Appl. No.: **29/231,487**

*Primary Examiner*—Alan P. Douglas  
*Assistant Examiner*—Lavone D. Tabor

(22) Filed: **Jun. 6, 2005**

(74) *Attorney, Agent, or Firm*—Harris A. Wolin

(51) **LOC (8) Cl.** ..... **04-02**

(57) **CLAIM**

(52) **U.S. Cl.** ..... **D4/108; D4/111; D4/136**

The ornamental design for a head for a toothbrush, as shown  
and described.

(58) **Field of Classification Search** ..... D4/104–112,

D4/114, 127, 132, 136; 15/28, 29, 110, 159.1,  
15/160, 167.1, 167.2, 186–188, 207.2; 132/308,  
132/309; 401/132–135; 601/139, 141

See application file for complete search history.

**DESCRIPTION**

(56) **References Cited**

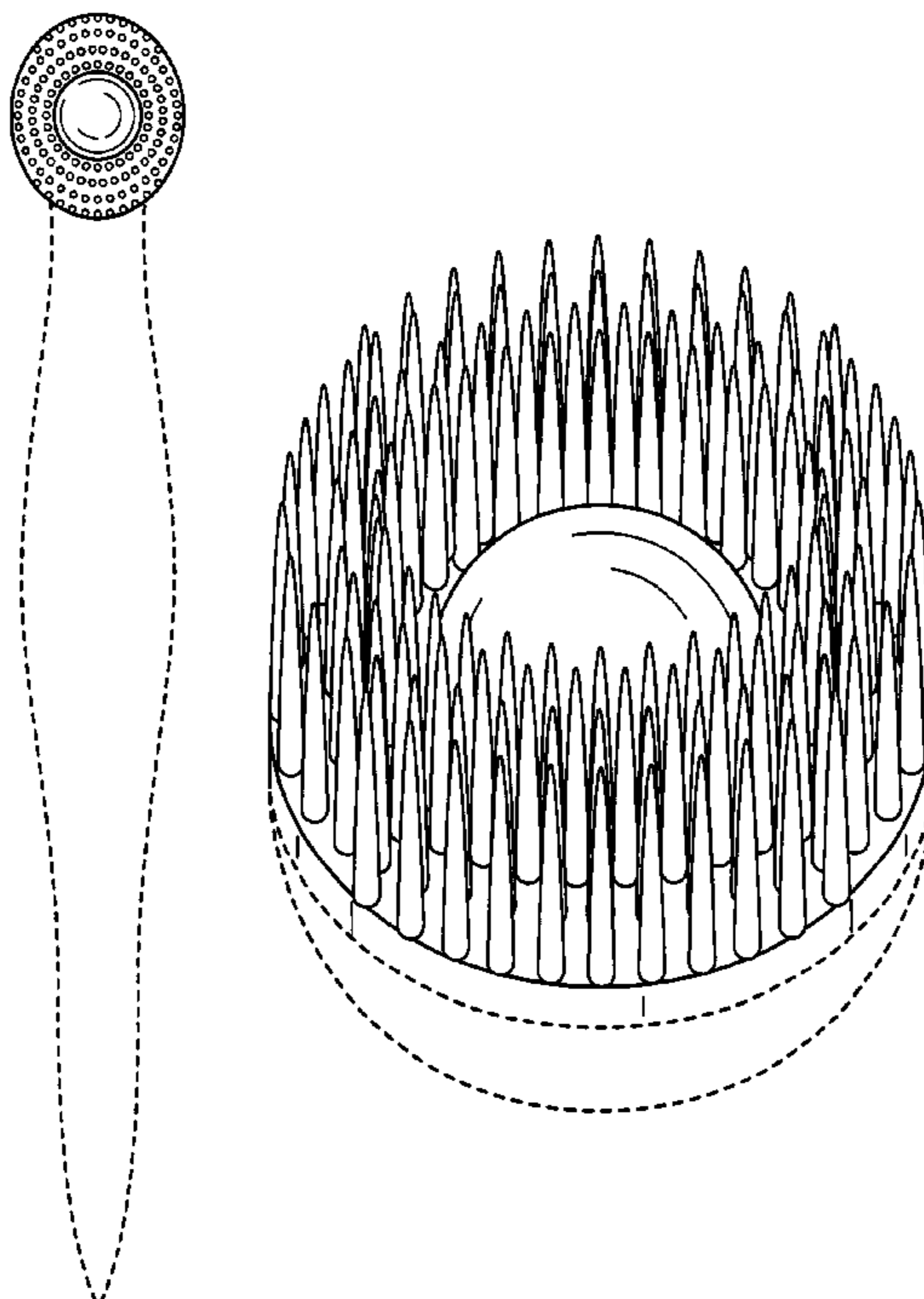
**U.S. PATENT DOCUMENTS**

D94,303 S *	1/1935	Hadley	.....	D4/111
1,995,374 A *	3/1935	Young	.....	401/268
D161,873 S *	2/1951	Rosengard	.....	D4/111
D165,109 S *	11/1951	Petrosky	.....	D4/114
3,103,935 A *	9/1963	Woodrow	.....	132/308
3,589,823 A *	6/1971	Hendrickson	.....	401/132 X
5,390,984 A	2/1995	Boucherie et al.		
5,393,796 A	2/1995	Halberstadt et al.		
5,533,791 A	7/1996	Boucherie		
D378,166 S *	2/1997	Savitt et al.	.....	D4/111
5,609,890 A	3/1997	Boucherie		

FIG. 1 is a perspective front view of a head for a toothbrush  
showing my new design;  
FIG. 2 is a front view thereof;  
FIG. 3 is a back view thereof;  
FIG. 4 is a left side view thereof;  
FIG. 5 is a right side view thereof;  
FIG. 6 is a head end view thereof;  
FIG. 7 is a generally front view thereof taken from an angle  
normal to the bristles;  
FIG. 8 is a close-up perspective front view thereof;  
FIG. 9 is a close-up left side view thereof; and,  
FIG. 10 is a close-up head end view thereof.

The broken line schematic showing the remainder of the  
toothbrush is for illustrative purposes only and forms no part  
of the claimed design.

**1 Claim, 7 Drawing Sheets**



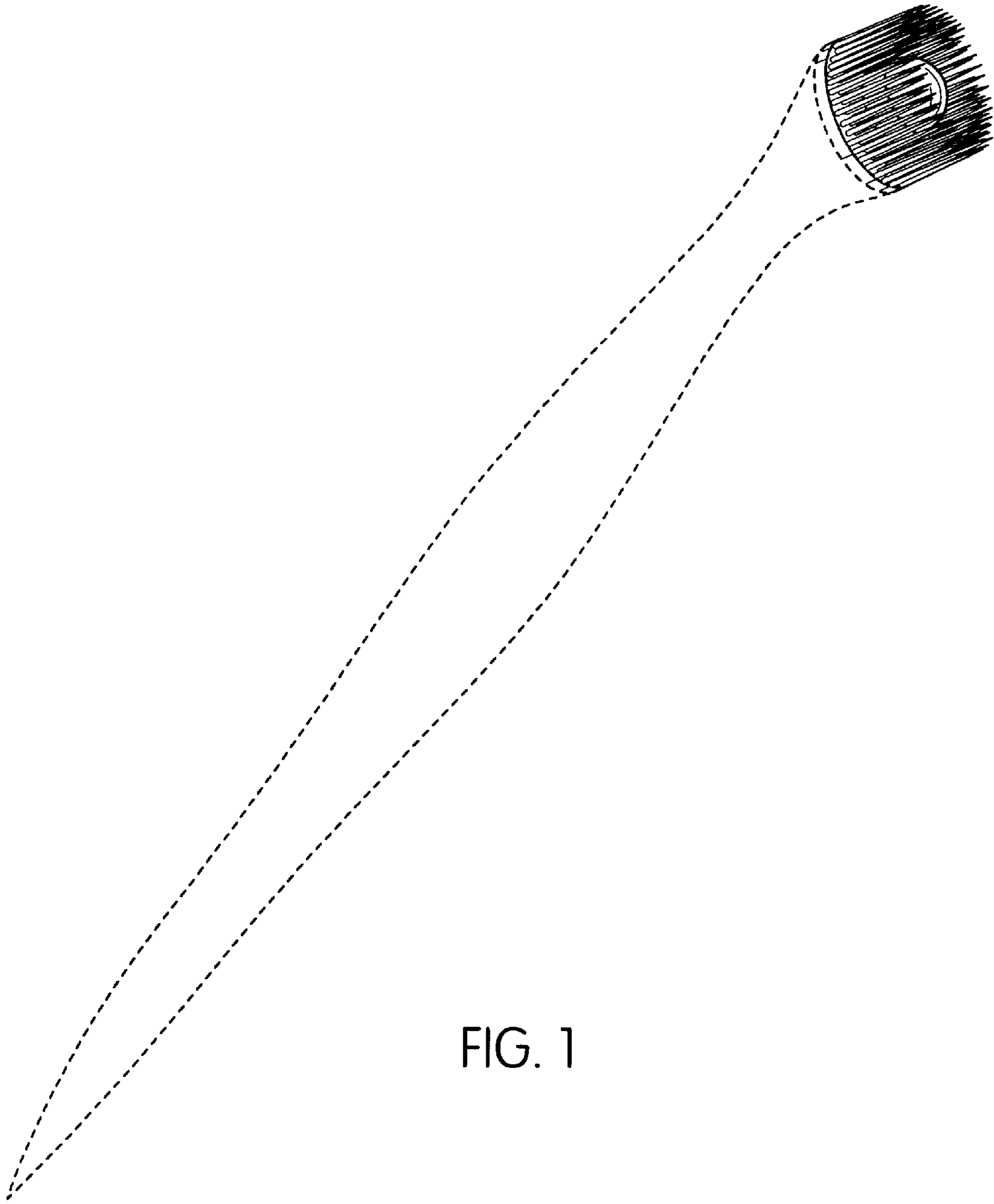


FIG. 1

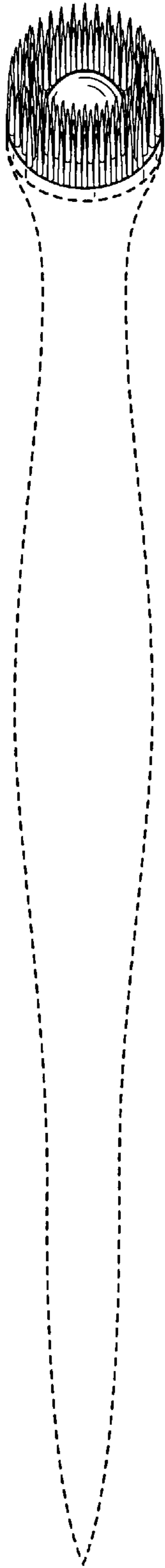


FIG. 2

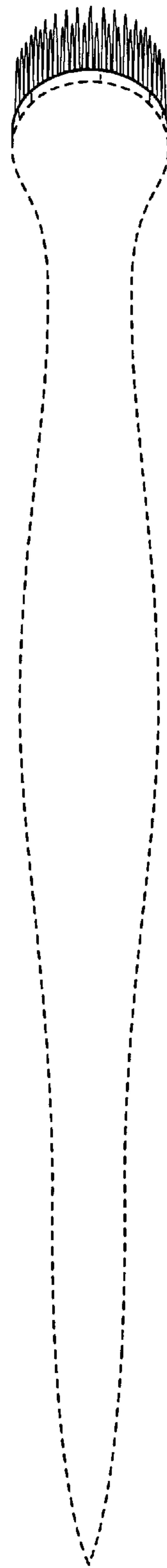


FIG. 3

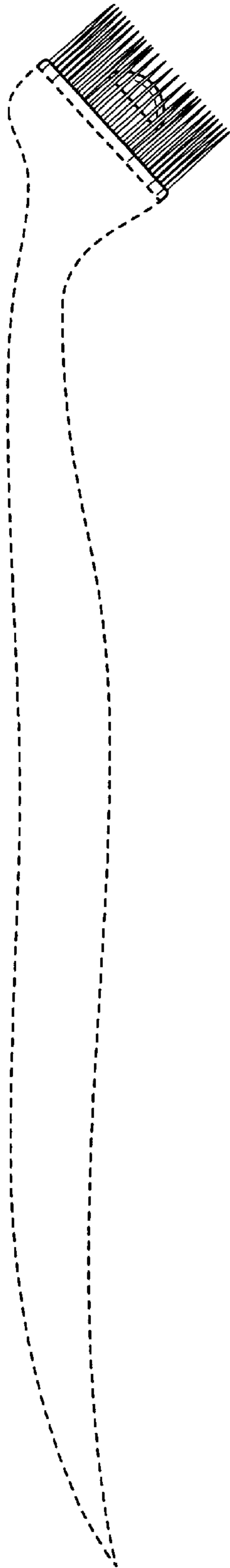


FIG. 4

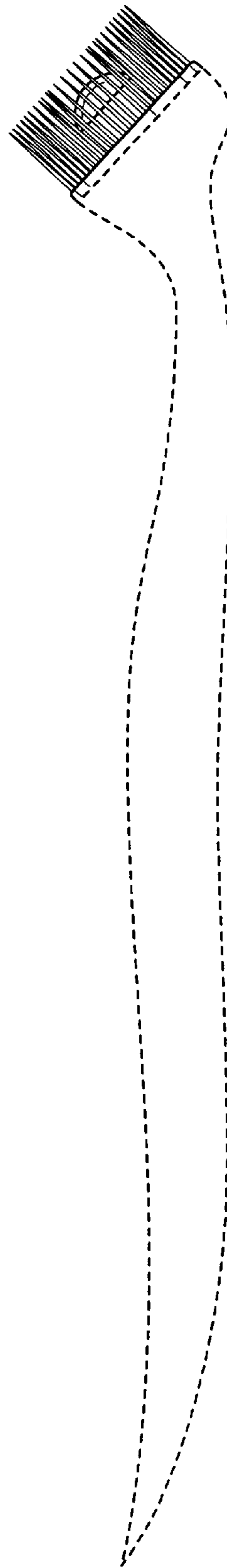


FIG. 5

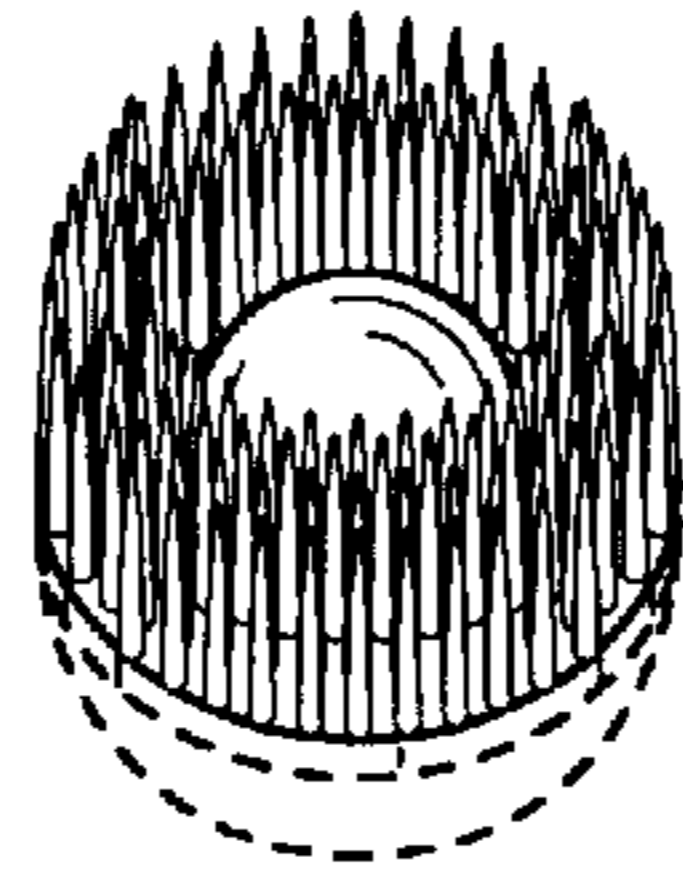


FIG. 6

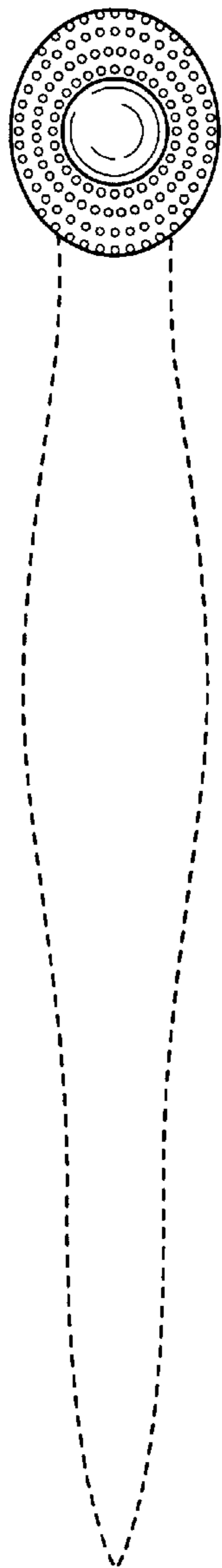


FIG. 7

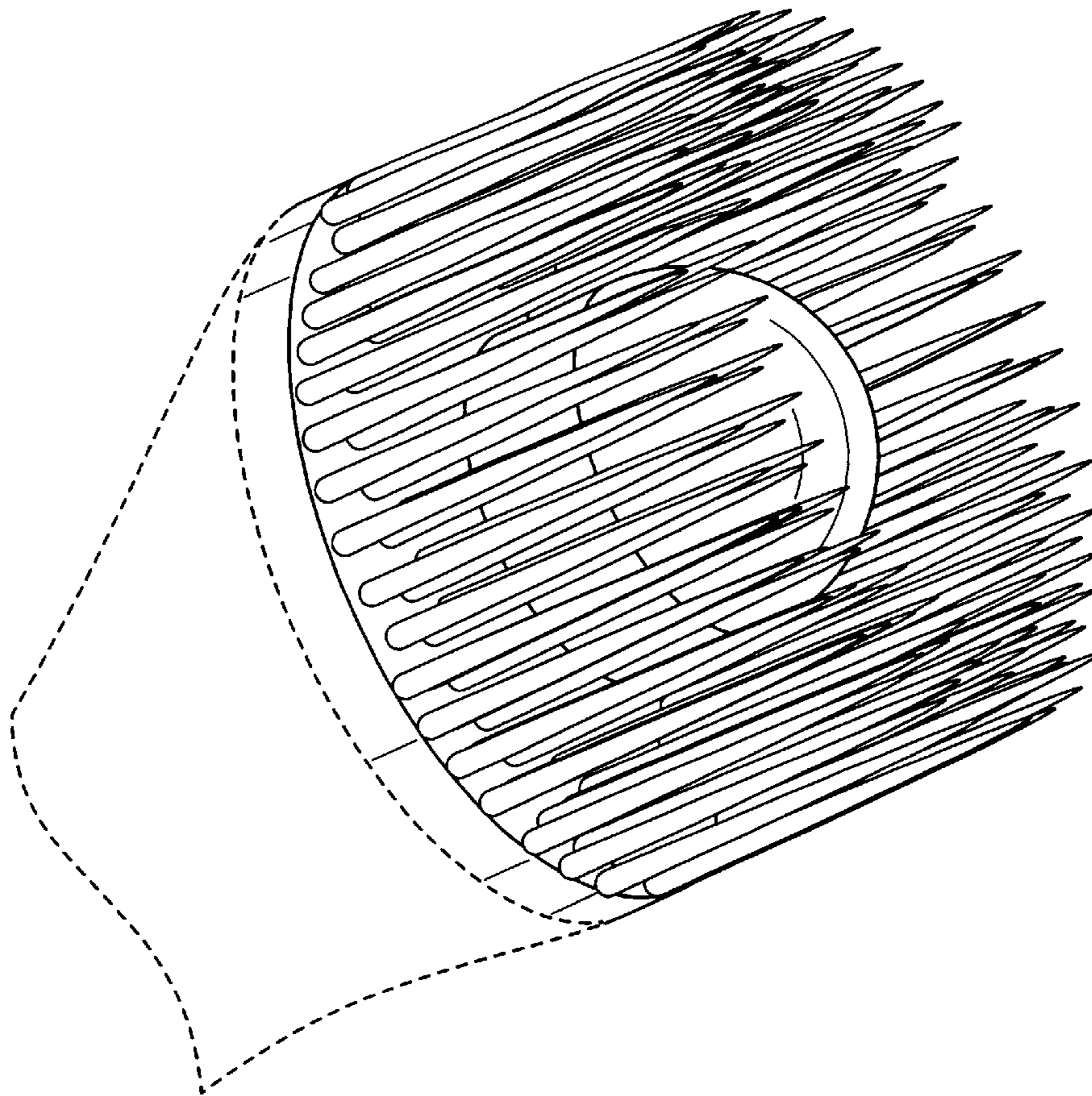


FIG. 8

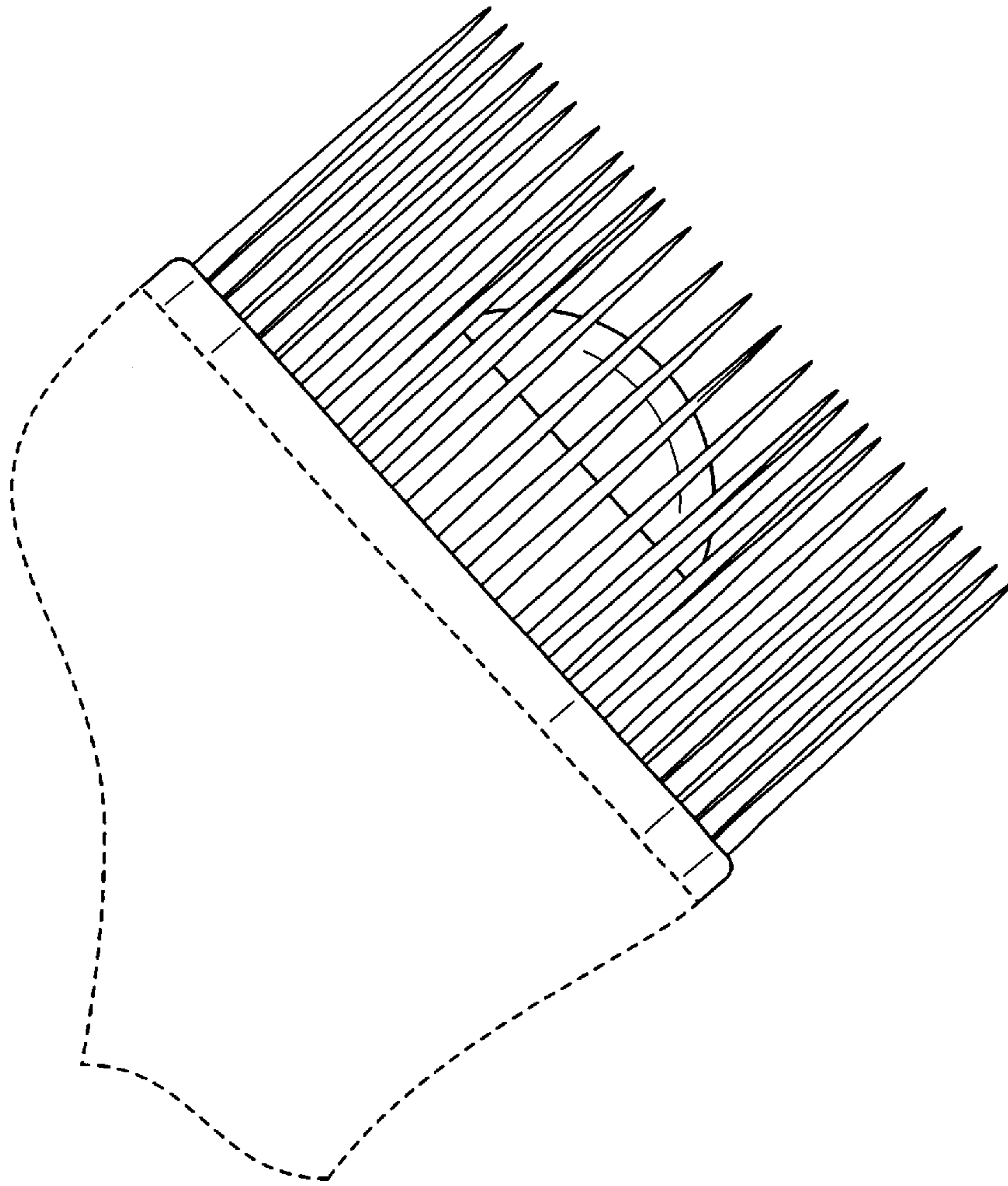


FIG. 9

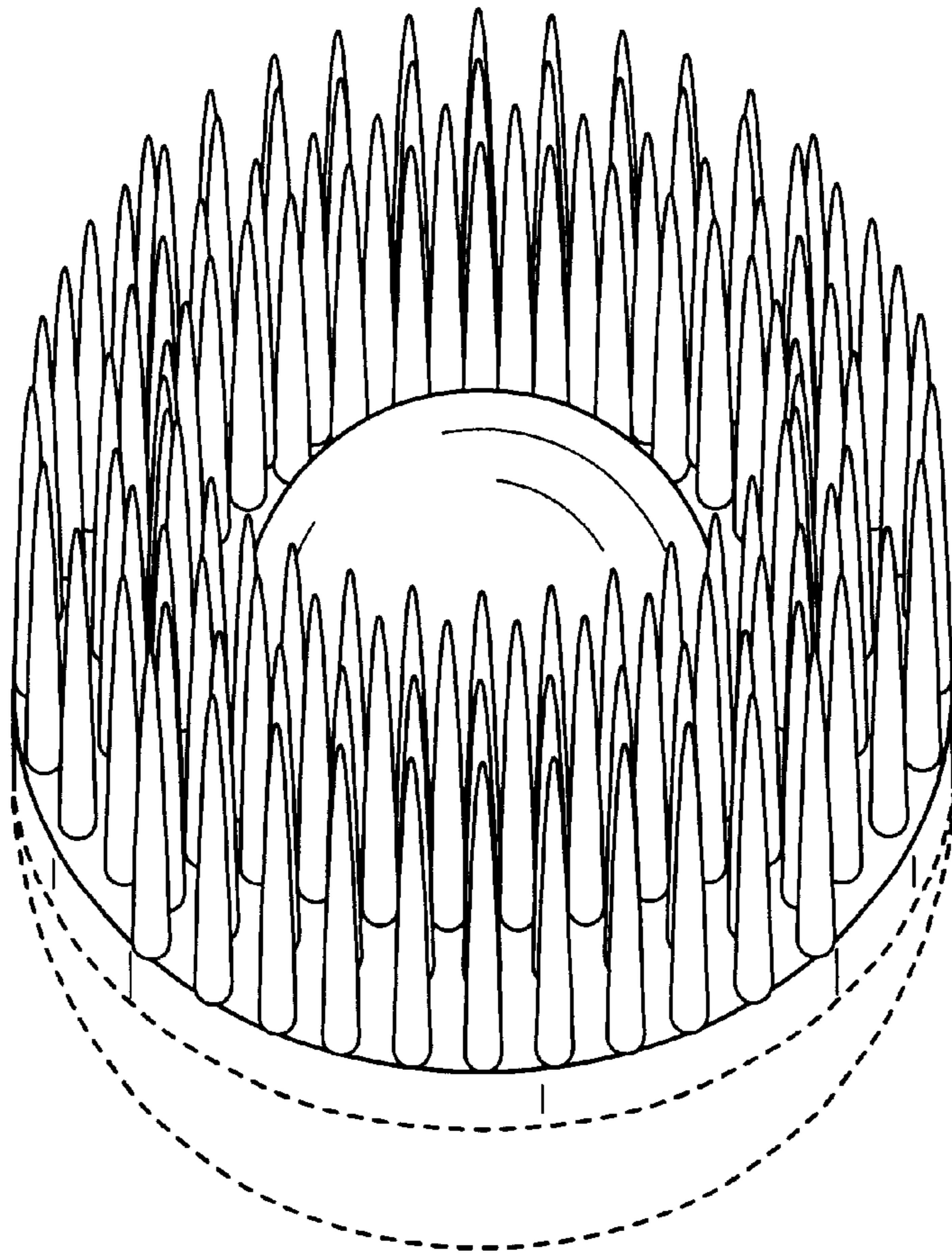


FIG. 10