

(19) World Intellectual Property Organization
International Bureau



(43) International Publication Date
23 February 2006 (23.02.2006)

PCT

(10) International Publication Number
WO 2006/019395 A3

- (51) International Patent Classification:
A61M 5/178 (2006.01)
- (21) International Application Number:
PCT/US2005/002101
- (22) International Filing Date: 25 January 2005 (25.01.2005)
- (25) Filing Language: English
- (26) Publication Language: English
- (30) Priority Data:
10/890,645 14 July 2004 (14.07.2004) US
- (71) Applicant (for all designated States except US): SMITH, P., Rowan, Jr. [US/US]; 17336 West Little York, Houston, TX 77084 (US).

AT, AU, AZ, BA, BB, BG, BR, BW, BY, BZ, CA, CH, CN, CO, CR, CU, CZ, DK, DM, DZ, EC, EE, EG, ES, FI, GB, GD, GE, GH, GM, HR, HU, ID, IL, IN, IS, JP, KE, KG, KP, KZ, LC, LK, LR, LS, LT, LU, LV, MA, MD, MG, MK, MN, MW, MX, MZ, NA, NI, NO, NZ, OM, PG, PH, PL, PT, RO, SC, SD, SE, SG, SK, SL, SM, SY, TJ, TM, TN, TR, TT, TZ, UA, UG, US, UZ, VC, VN, YU, ZA, ZM, ZW.

(84) Designated States (unless otherwise indicated, for every kind of regional protection available): ARIPO (BW, GH, GM, KE, LS, MW, MZ, NA, SD, SL, SZ, TZ, UG, ZM, ZW), Eurasian (AM, AZ, BY, KG, KZ, MD, RU, TJ, TM), European (AT, BE, BG, CH, CY, CZ, DE, DK, EE, ES, FI, FR, GB, GR, HU, IE, IS, IT, LT, LU, MC, NL, PL, PT, RO, SE, SI, SK, TR), OAPI (BF, BJ, CF, CG, CI, CM, GA, GN, GQ, GW, ML, MR, NE, SN, TD, TG).

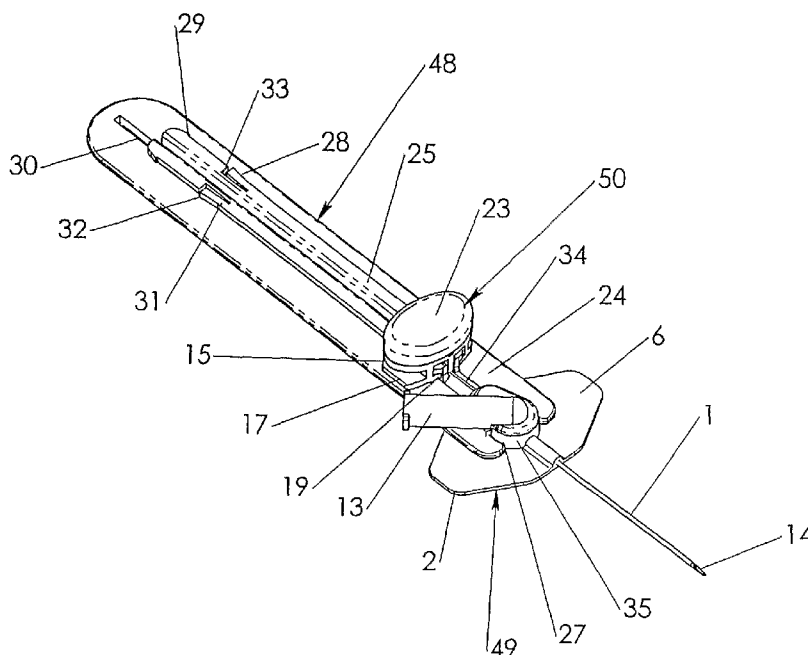
Published:
— with international search report

(88) Date of publication of the international search report:
25 January 2007

For two-letter codes and other abbreviations, refer to the "Guidance Notes on Codes and Abbreviations" appearing at the beginning of each regular issue of the PCT Gazette.

- (72) Inventor: FITZGERALD, Lisa, M.; 5860 Old Summerwood Boulevard, Sarasota, FL 34232 (US).
- (74) Agent: MOSELEY, Richard, L.; P.O. Box 630708, Houston, TX 77263 (US).
- (81) Designated States (unless otherwise indicated, for every kind of national protection available): AE, AG, AL, AM,

(54) Title: INTRAVENOUS CATHETER DEVICE



(57) Abstract: A catheter appliance having a catheter in fluid communication with a luer connector is releasably secured to a catheter applicator having a track for slidably mounting a needle carrier module. The needle carrier module includes a hypodermic which extends through the catheter for insertion and which is in fluid communication with a flashback indicator on the module. The catheter applicator includes a needle cavity for containing the hypodermic needle after use.

WO 2006/019395 A3

INTERNATIONAL SEARCH REPORT

International application No.

PCT/US05/02101

A. CLASSIFICATION OF SUBJECT MATTER

IPC: **A61M 5/178**(2006.01)

USPC: 604/164.01,167.02

According to International Patent Classification (IPC) or to both national classification and IPC

B. FIELDS SEARCHED

Minimum documentation searched (classification system followed by classification symbols)
U.S. : 604/164.01, 167.02

Documentation searched other than minimum documentation to the extent that such documents are included in the fields searched

Electronic data base consulted during the international search (name of data base and, where practicable, search terms used)

C. DOCUMENTS CONSIDERED TO BE RELEVANT

Category *	Citation of document, with indication, where appropriate, of the relevant passages	Relevant to claim No.
X	US 5,704,914A (Stocking et al.) 6 January 1998 (06.01.1998), figures 1-4, 7-8.	1-11
X	US 5,312,359A (Wallace) 17 May 1994 (17.05.1994), figures 1-12.	1,2,7
---		-----
Y		3-6, 8-11
X	US 20030199827 A1 (Thorne) 23 October 2003 (23.10.2003), figure 20	1, 2, 7

Further documents are listed in the continuation of Box C.

See patent family annex.

* Special categories of cited documents:	"T"
"A" document defining the general state of the art which is not considered to be of particular relevance	later document published after the international filing date or priority date and not in conflict with the application but cited to understand the principle or theory underlying the invention
"E" earlier application or patent published on or after the international filing date	"X" document of particular relevance; the claimed invention cannot be considered novel or cannot be considered to involve an inventive step when the document is taken alone
"L" document which may throw doubts on priority claim(s) or which is cited to establish the publication date of another citation or other special reason (as specified)	"Y" document of particular relevance; the claimed invention cannot be considered to involve an inventive step when the document is combined with one or more other such documents, such combination being obvious to a person skilled in the art
"O" document referring to an oral disclosure, use, exhibition or other means	"&" document member of the same patent family
"P" document published prior to the international filing date but later than the priority date claimed	

Date of the actual completion of the international search
06 July 2006 (06.07.2006)

Date of mailing of the international search report

18 SEP 2006

Name and mailing address of the ISA/US
Mail Stop PCT, Attn: ISA/US
Commissioner for Patents
P.O. Box 1450
Alexandria, Virginia 22313-1450
Facsimile No. (571) 273-3201

Authorized officer
Matthew F. DeSanto

Telephone No. 1-703-308-0858