



US00D391132S

# United States Patent [19]

Gandee et al.

[11] Patent Number: Des. 391,132

[45] Date of Patent: \*\*Feb. 24, 1998

[54] **RAKE**

[75] Inventors: **Jack L. Gandee**, Mineral Wells, W. Va.; **Ronald R. Fowler**, Coolville, Ohio

[73] Assignee: **O. Ames Co.**, Parkersburg, W. Va.

[\*\*] Term: **14 Years**

[21] Appl. No.: **62,841**

[22] Filed: **Nov. 27, 1996**

[51] **LOC (6) Cl.** ..... **08-13**

[52] **U.S. Cl.** ..... **D8/13**

[58] **Field of Search** ..... **D8/13**

[56] **References Cited**

**U.S. PATENT DOCUMENTS**

D. 233,305	10/1974	Eads	.....	D8/13
D. 248,612	7/1978	Oas	.....	D8/13
D. 298,907	12/1988	Bonnes	.....	D8/13
D. 350,052	8/1994	Sun	.....	D8/13
5,060,343	10/1991	Nisenbaum	.	
5,165,144	11/1992	Nisenbaum	.	

**OTHER PUBLICATIONS**

Comfortably Yours Catalogue, p. 13, rake—item B located in center of page, Mar. 1985.

Primary Examiner—Holly Baynham

Attorney, Agent, or Firm—Cushman Darby & Cushman IP Group of Pillsbury Madison & Sutro LLP

[57] **CLAIM**

The ornamental design for a rake, as shown and described.

**DESCRIPTION**

FIG. 1 is a perspective view of one embodiment of a rake showing our new design;

FIG. 2 is a rear elevational view thereof;

FIG. 3 is a front elevational view thereof;

FIG. 4 is a right side elevational view thereof, the left side elevational view being a mirror image thereof;

FIG. 5 is a top plan view thereof;

FIG. 6 is a bottom plan view thereof;

FIG. 7 is a perspective view of another embodiment of a rake embodying our new design;

FIG. 8 is a rear elevational view thereof;

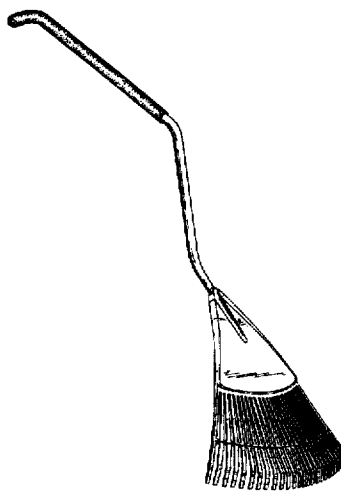
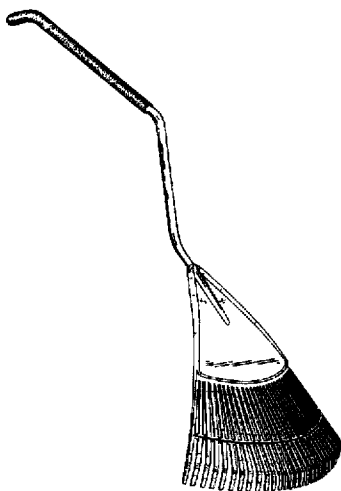
FIG. 9 is a front elevational view thereof;

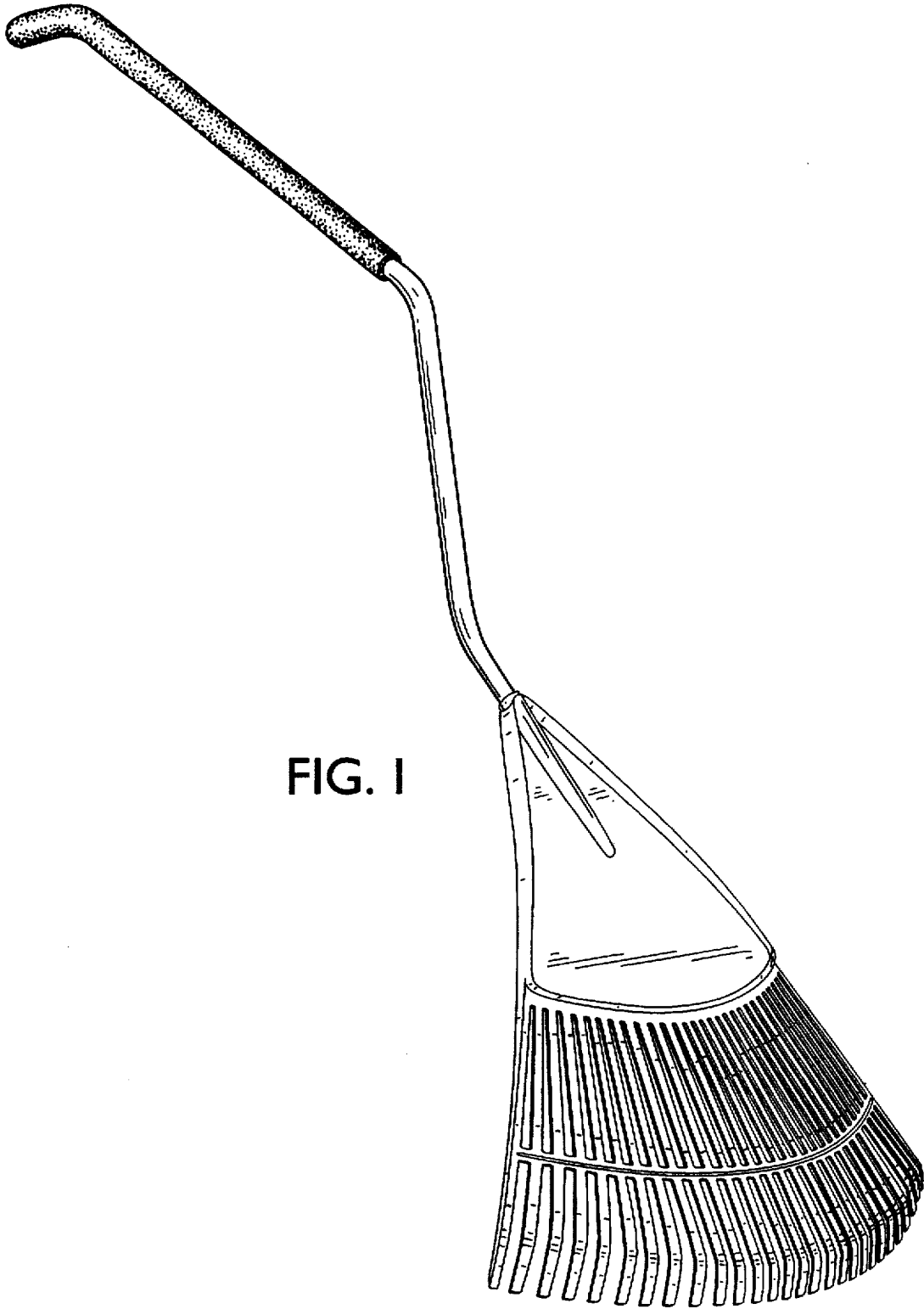
FIG. 10 is a right side elevational view thereof, the left side elevational view being a mirror image thereof;

FIG. 11 is a top plan view thereof; and,

FIG. 12 is a bottom plan view thereof.

**1 Claim, 10 Drawing Sheets**





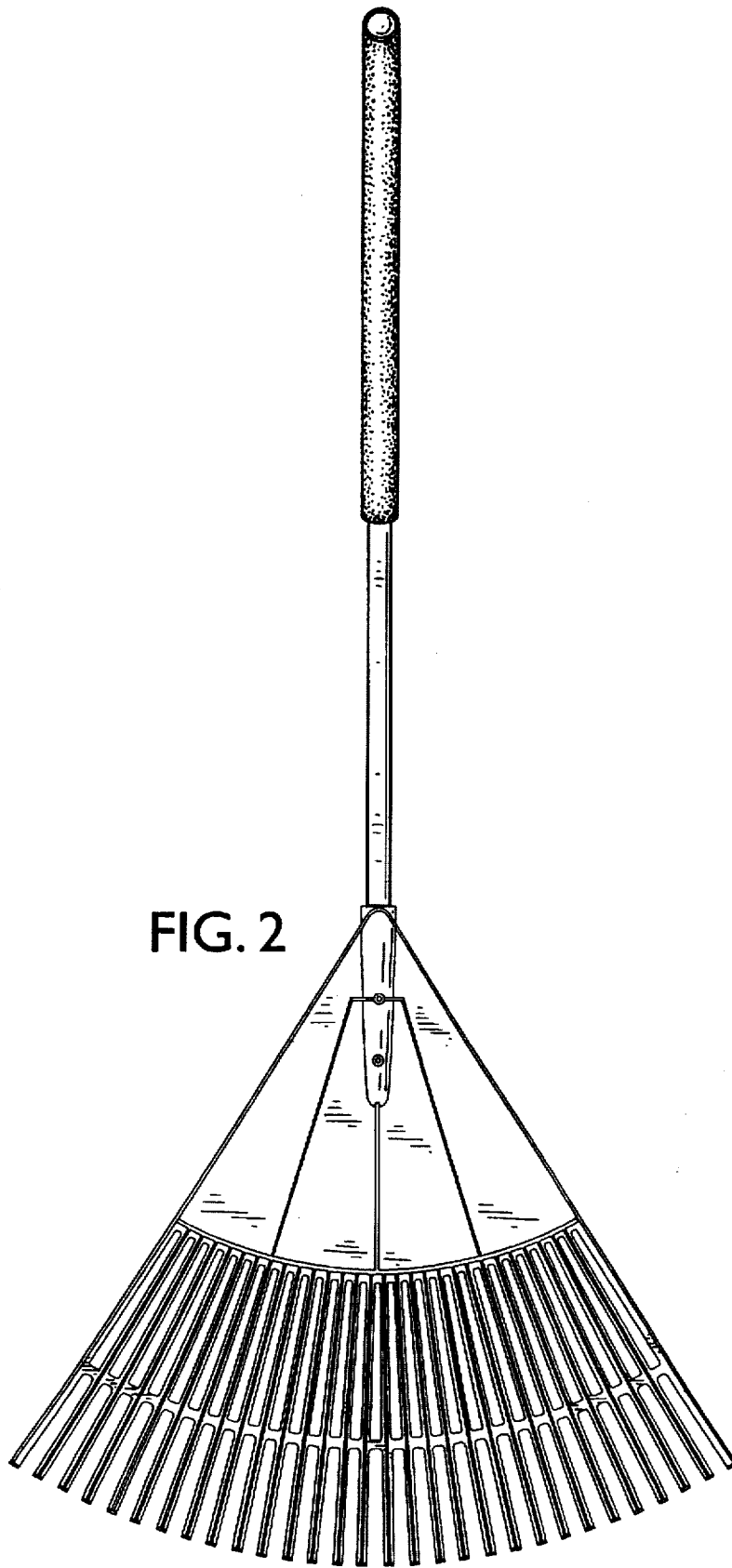


FIG. 2

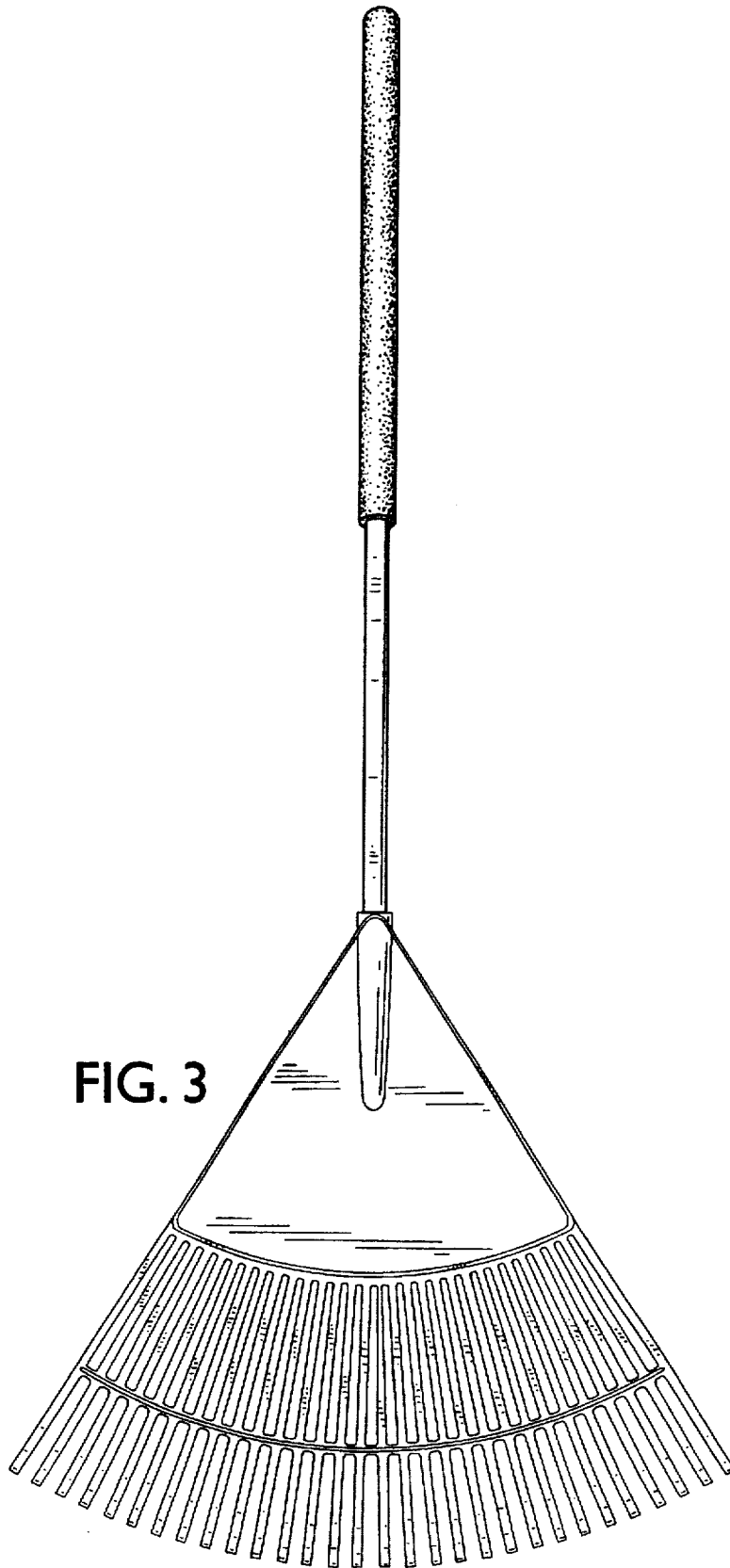


FIG. 3

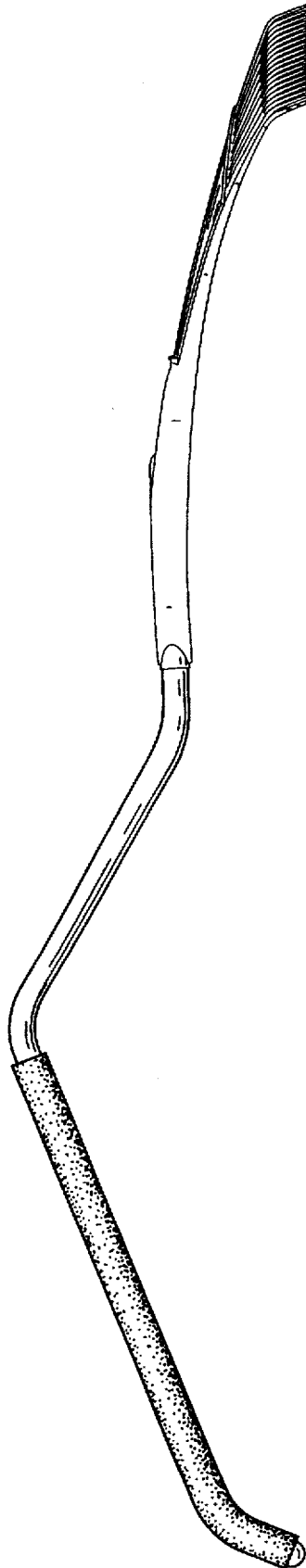


FIG. 4

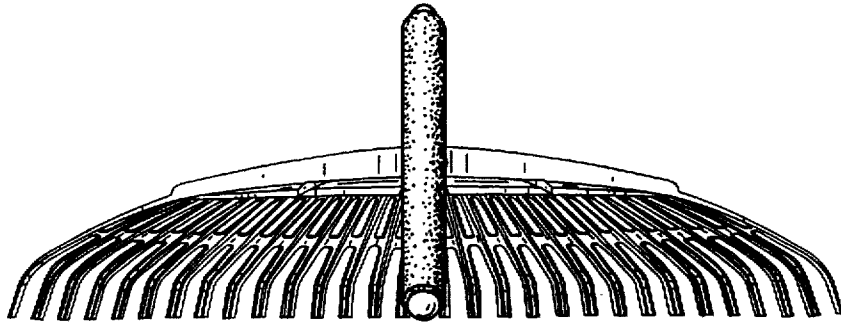


FIG. 5

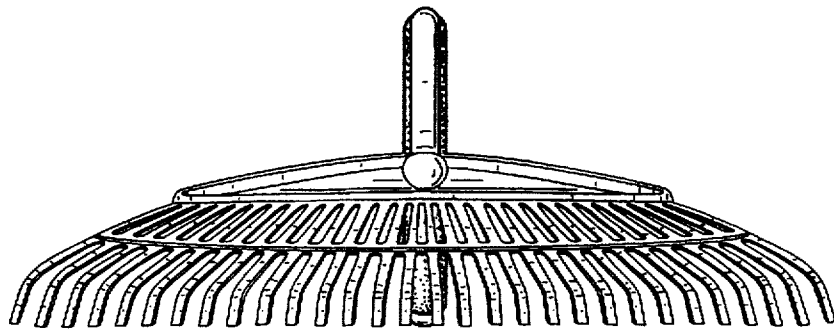


FIG. 6

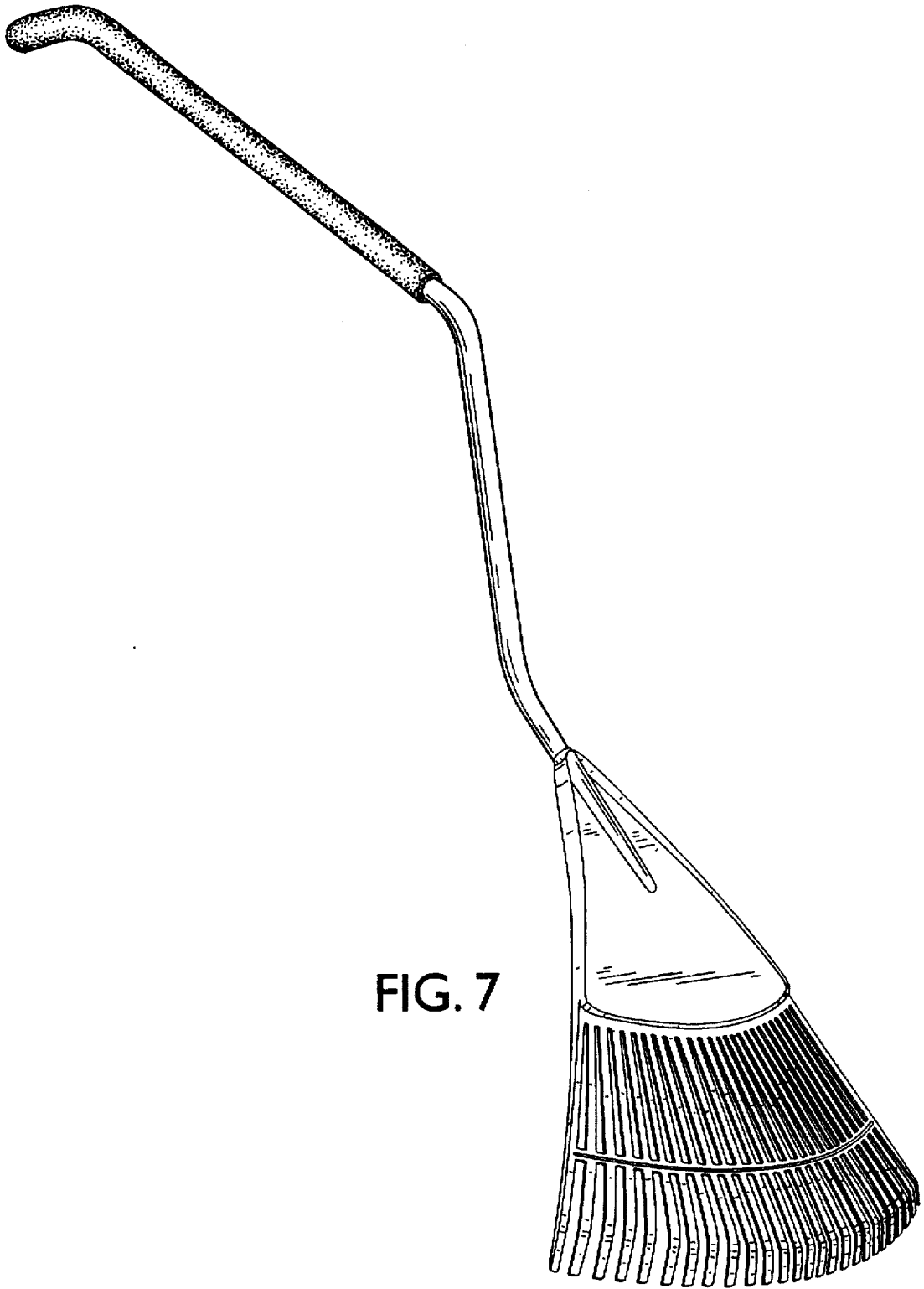
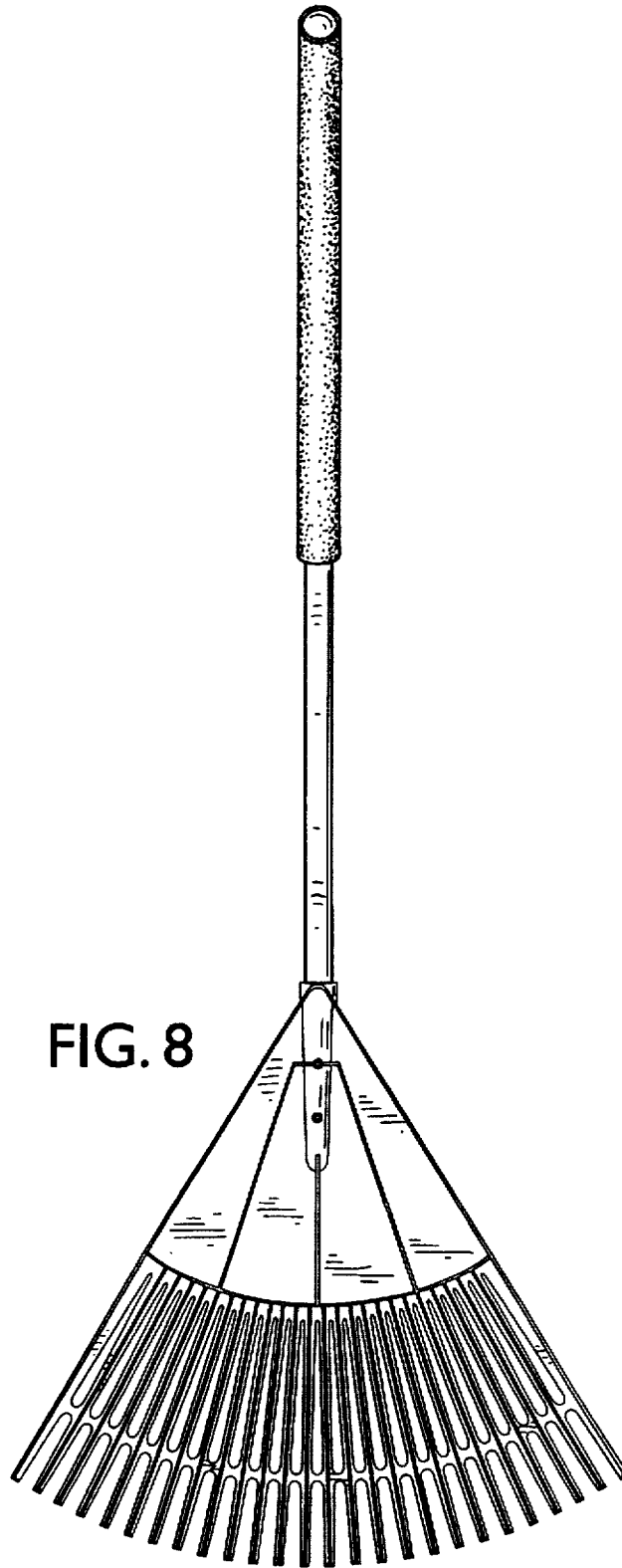


FIG. 7





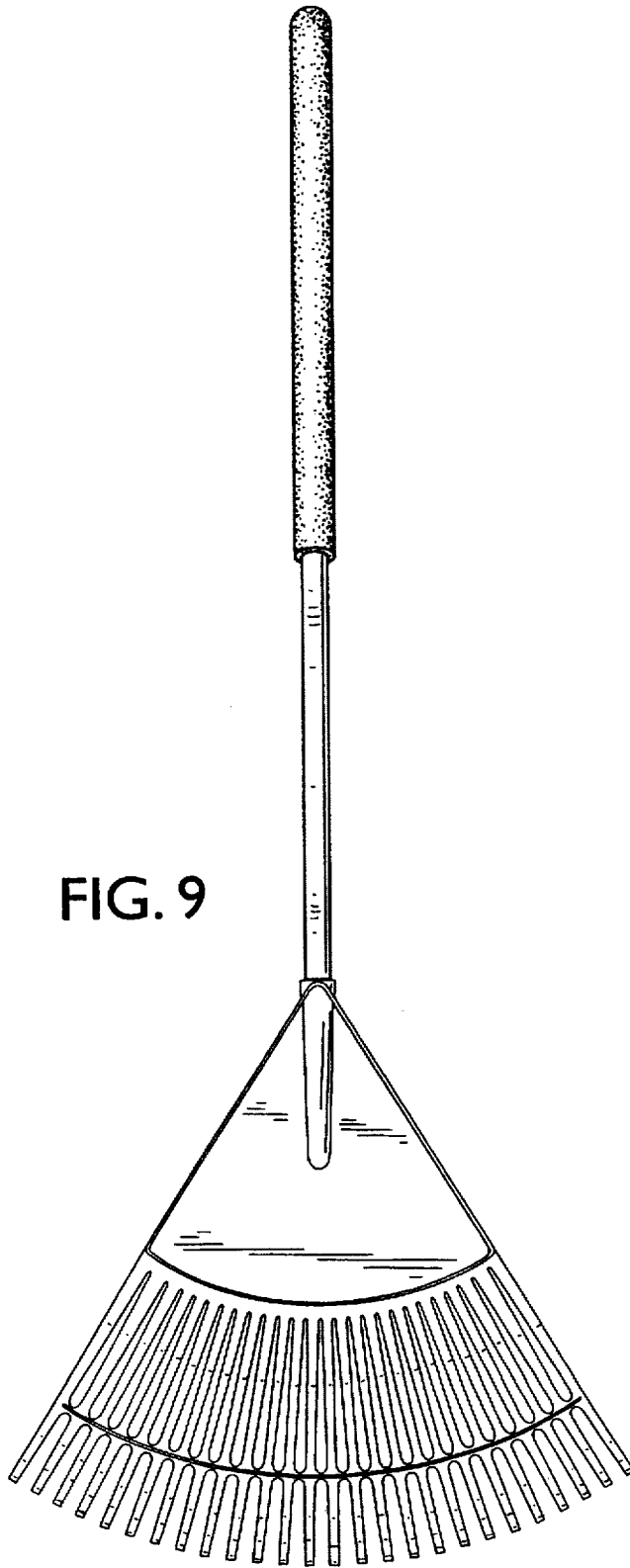


FIG. 9

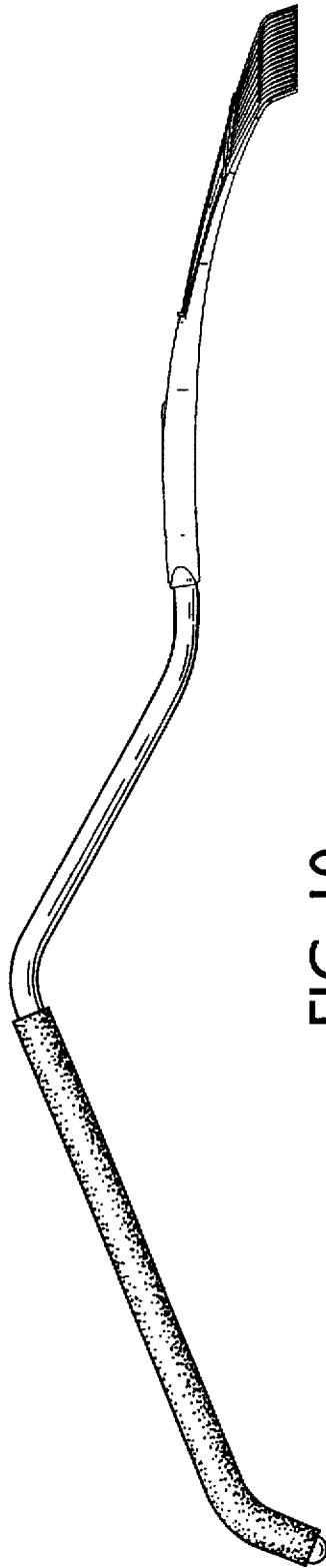


FIG. 10

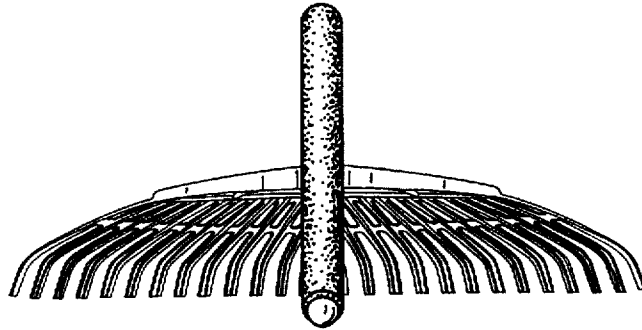


FIG. 11

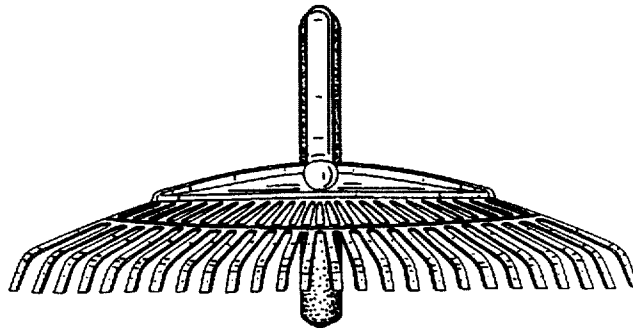


FIG. 12