



(12) **United States Design Patent**
Li et al.

(10) **Patent No.:** **US D792,486 S**
(45) **Date of Patent:** **** Jul. 18, 2017**

(54) **PORTABLE SPLIT REFRIGERATOR**

(71) Applicant: **Mobicool Electronic (Shenzhen) Co., Ltd.**, Shenzhen (CN)

(72) Inventors: **Tat Wah Li**, Hunghom (HK); **Xingbiao Yang**, Zhuhai (HK); **Ken Wa Keung Ng**, Shamshuipo (HK); **Zhengchao Zhu**, Shenzhen (HK); **Bin Zou**, Shenzhen (CN)

(73) Assignee: **Mobicool Electronic (Shenzhen) Co., Ltd.**, Shenzhen (CN)

(**) Term: **15 Years**

(21) Appl. No.: **29/565,955**

(22) Filed: **May 25, 2016**

(30) **Foreign Application Priority Data**

Nov. 30, 2015 (CN) 2015 3 0488763

(51) **LOC (10) Cl.** **15-07**

(52) **U.S. Cl.**
USPC **D15/81**

(58) **Field of Classification Search**
USPC D15/79-91
CPC .. F25B 21/02; F25B 1/08; F25B 21/04; F25B 2339/046; F25B 2339/047; F25B 2341/00; F25B 2341/0011; F25B 2341/0012; F25B 2341/0013; F25B 2341/0014; F25B 2600/023; F25B 2600/027; F25B 39/04; F25B 49/02; F25B 49/022

See application file for complete search history.

(56) **References Cited**

U.S. PATENT DOCUMENTS

3,073,126 A 1/1963 Staebler
3,123,986 A 3/1964 Lukas et al.
3,166,912 A 1/1965 Patrick
3,850,006 A 11/1974 Redfern et al.

D256,587 S * 8/1980 Tatsumi D15/83
4,565,072 A 1/1986 Fujiwara et al.
4,637,222 A 1/1987 Fujiwara et al.
4,658,596 A 4/1987 Kuwahara
4,944,156 A 7/1990 Yamamoto
5,237,832 A 8/1993 Alston

(Continued)

FOREIGN PATENT DOCUMENTS

WO 2011074005 6/2011

OTHER PUBLICATIONS

Transmittal Letter of Related Cases.

(Continued)

Primary Examiner — Ian Simmons

Assistant Examiner — Khawaja Anwar

(74) *Attorney, Agent, or Firm* — Middleton Reutlinger

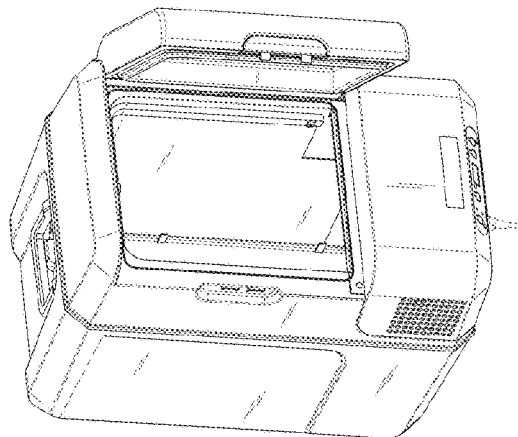
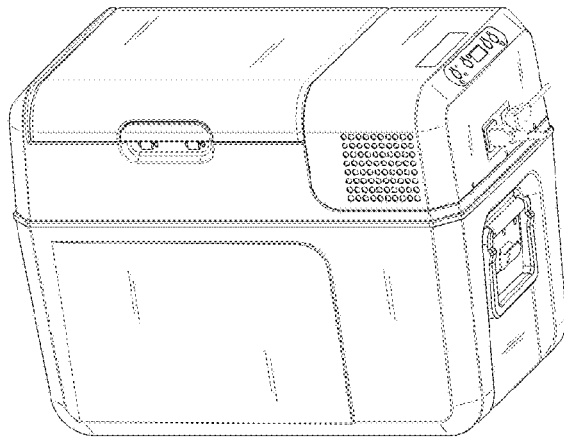
(57) **CLAIM**

The ornamental design for a portable split refrigerator, as shown and described.

DESCRIPTION

FIG. 1 is a front elevation view of a portable split refrigerator showing our new design;
FIG. 2 is a rear elevation view thereof;
FIG. 3 is a right side elevation view thereof;
FIG. 4 is a left side elevation view thereof;
FIG. 5 is a top plan view thereof;
FIG. 6 is a bottom plan view thereof;
FIG. 7 is an upper front perspective view thereof;
FIG. 8 is an upper front perspective view thereof in an open condition; and,
FIG. 9 is an upper interior perspective view thereof, shown in an open condition.
The broken lines are included for the purpose of illustrating portions of the portable split refrigerator that form no part of the claimed design.

1 Claim, 9 Drawing Sheets



(56)

References Cited

U.S. PATENT DOCUMENTS

D354,292 S * 1/1995 Monti D15/80
 5,407,218 A 4/1995 Jackson
 5,676,296 A 10/1997 Masters
 5,860,281 A 1/1999 Coffee et al.
 6,474,097 B2 11/2002 Treppedi et al.
 D516,099 S * 2/2006 Maruyama D15/83
 D521,535 S * 5/2006 Resch D15/83
 7,143,601 B1 12/2006 Jimenez
 D548,249 S * 8/2007 Okamoto D15/84
 D558,239 S * 12/2007 Takemoto D15/79
 7,415,794 B1 8/2008 Thompson
 7,913,849 B2 3/2011 Pedrazzi et al.
 D640,102 S * 6/2011 Hawkins D7/605
 8,082,752 B2 12/2011 Liu et al.
 D653,682 S * 2/2012 Herning D15/80
 D660,885 S * 5/2012 Crawford D15/83
 8,215,123 B2 7/2012 Agarwal
 8,312,816 B2 11/2012 Vaccarella
 8,393,173 B2 3/2013 Choi et al.
 9,163,871 B1 10/2015 Costello
 9,220,250 B1 12/2015 Davis, Sr.
 9,232,290 B2 1/2016 Besay

D749,653 S * 2/2016 Carnes D15/89
 D750,140 S * 2/2016 Cross D15/81
 9,320,938 B1 4/2016 Belmore
 D762,743 S * 8/2016 Fan D15/81
 D771,157 S * 11/2016 Yamada D15/81
 2010/0212335 A1 8/2010 Lukitobudi
 2011/0197610 A1 8/2011 Debesa
 2011/0226785 A1 9/2011 Sakell
 2015/0008242 A1 1/2015 Kpabar, Jr.
 2015/0021106 A1 1/2015 LaRosa
 2015/0114024 A1 4/2015 Grepper
 2015/0241107 A1 8/2015 Mech

OTHER PUBLICATIONS

English Translation of Chinese Patent Application 201530488763.0
 filed Nov. 30, 2015.
 Dometic; Dometic RV Refrigeration, p. 24 from Dometic Full Line
 Catalog Jan. 1, 2015.
 Batterysavers.com; Tent Air Conditioner for camping by Kool Aire,
<http://www.batterysavers.com/tent-air-conditioner.html> Jan. 3,
 2014.

* cited by examiner

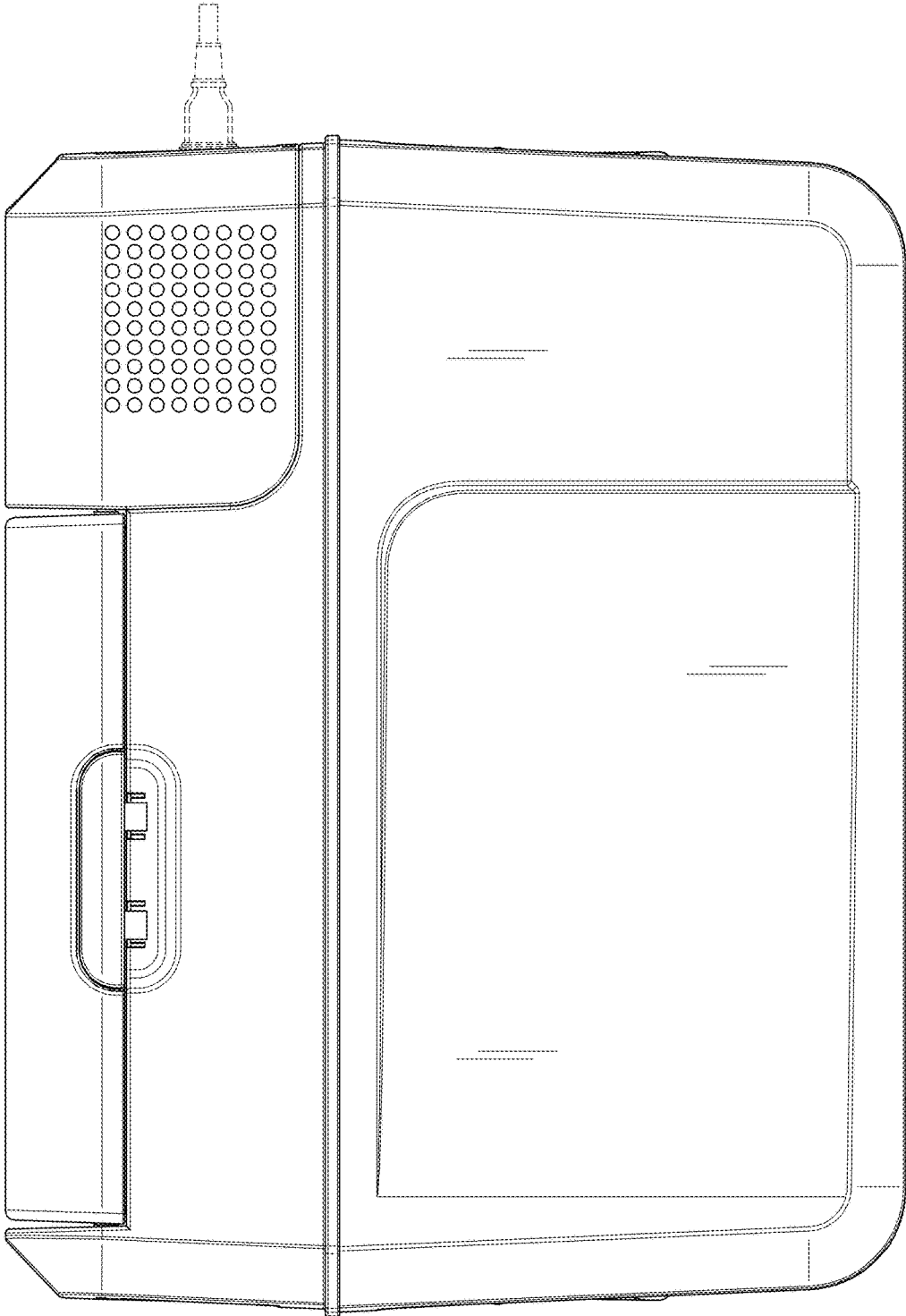


FIG. 1

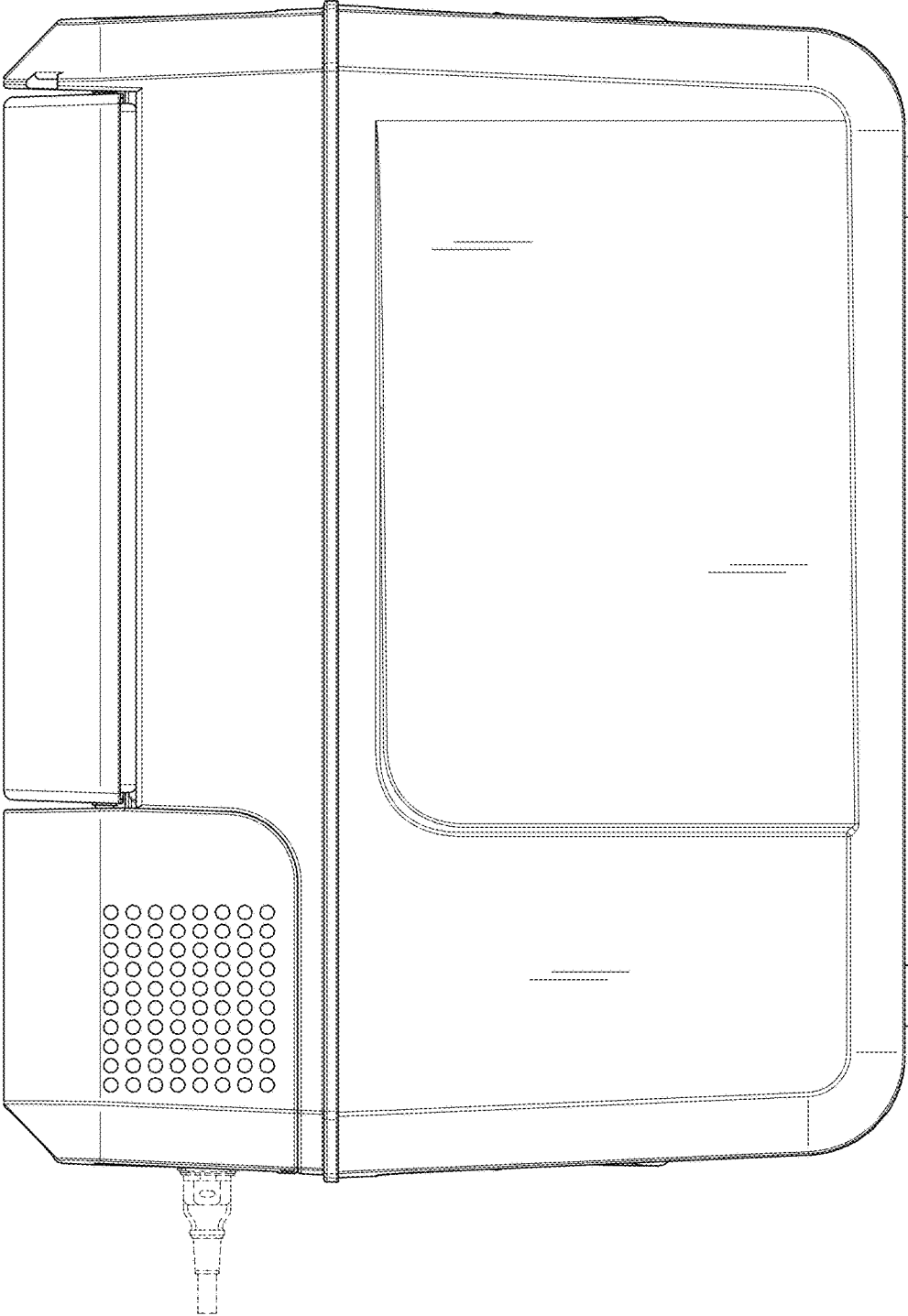


FIG. 2

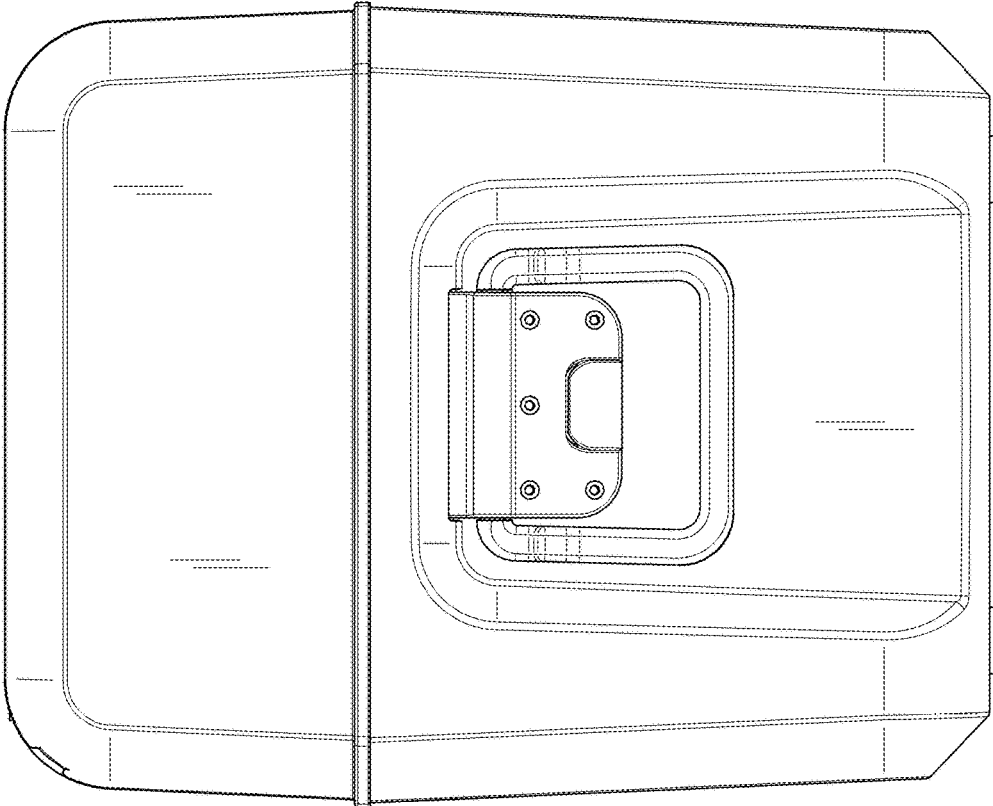


FIG. 3

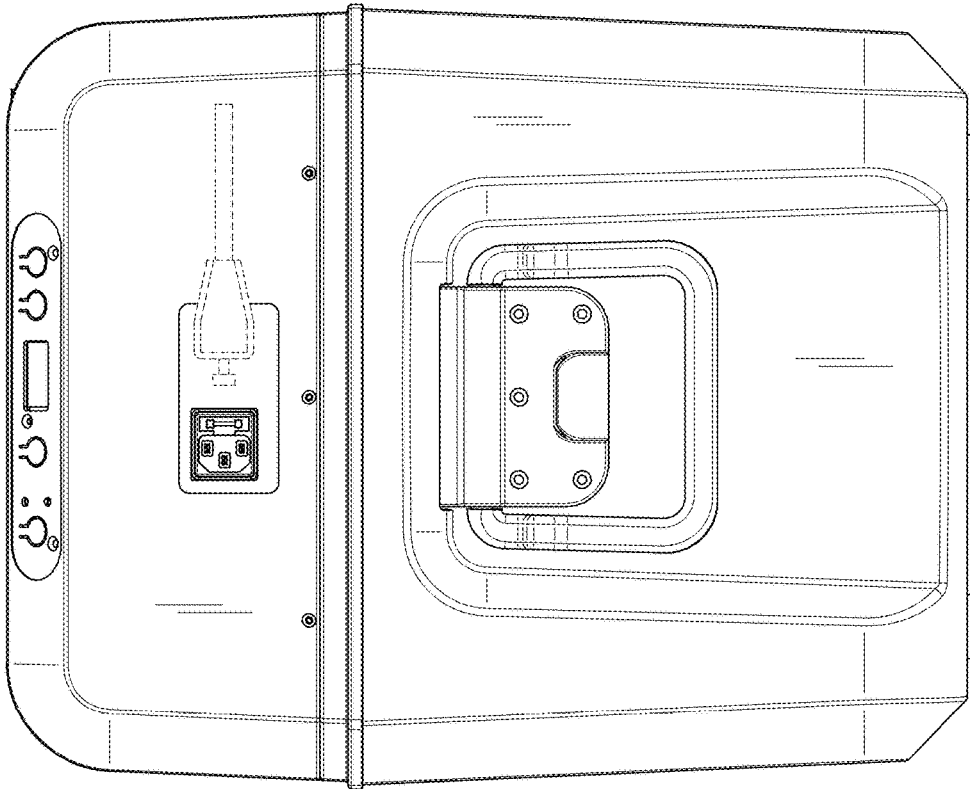


FIG. 4

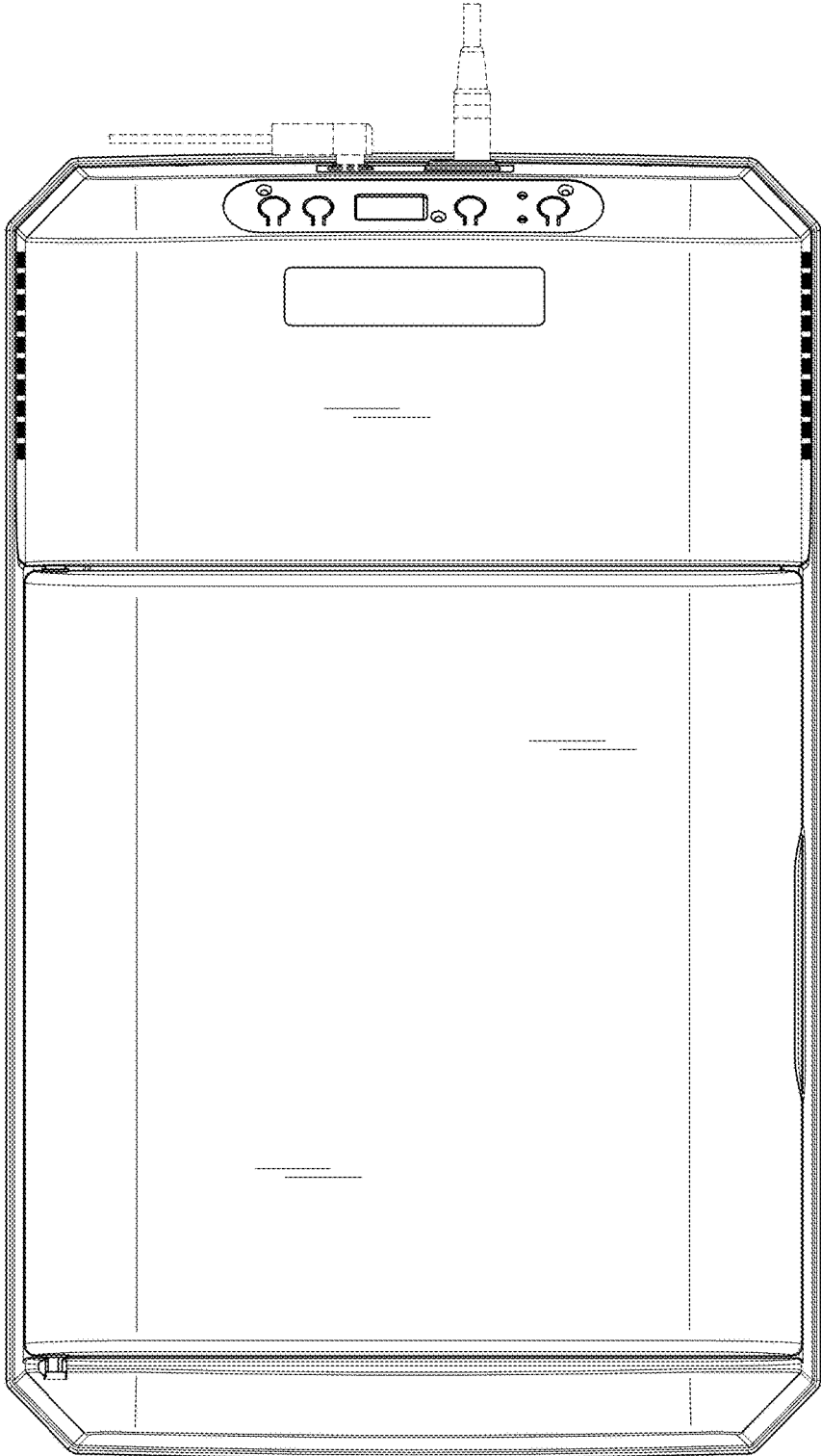


FIG. 5

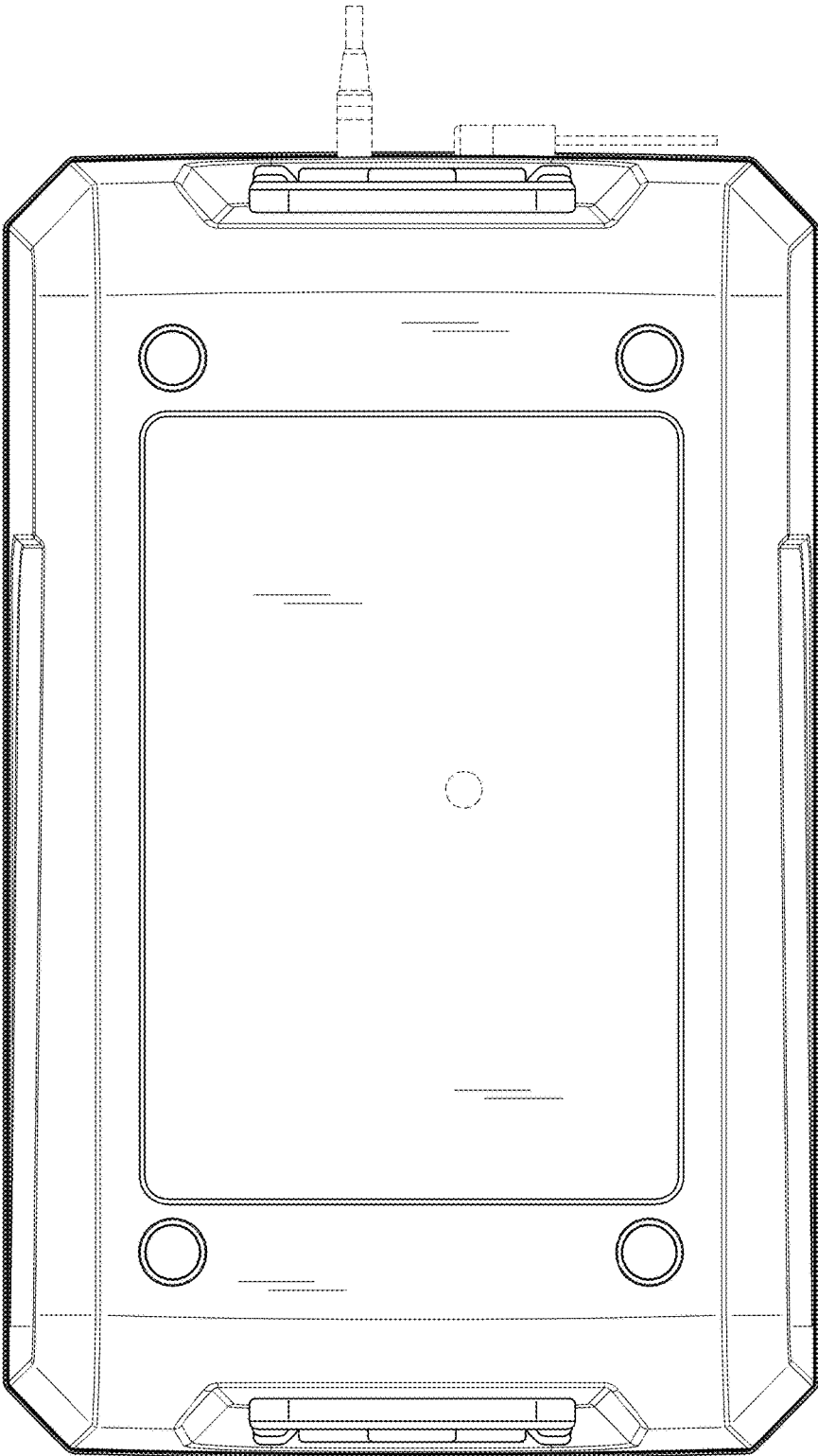


FIG. 6

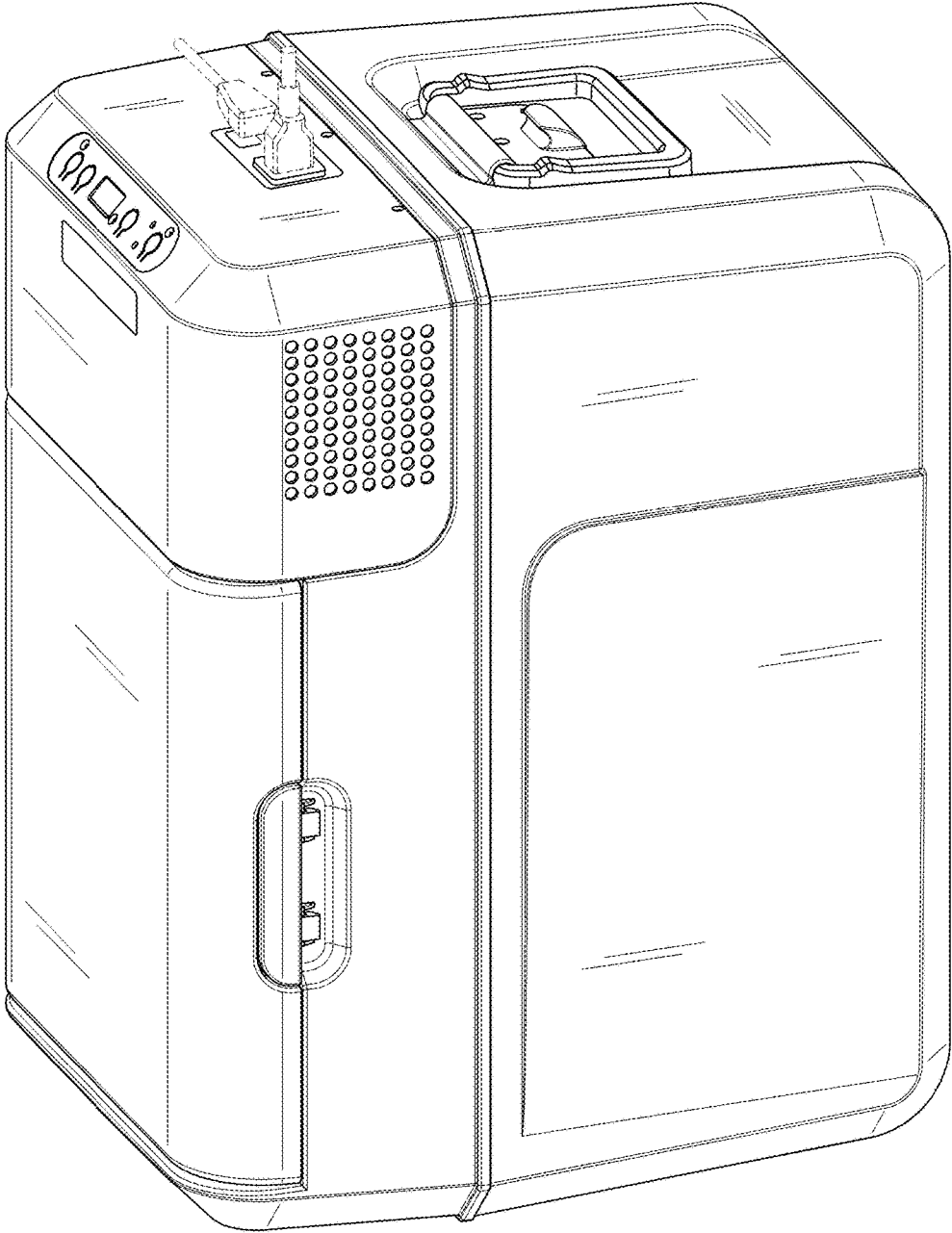


FIG. 7

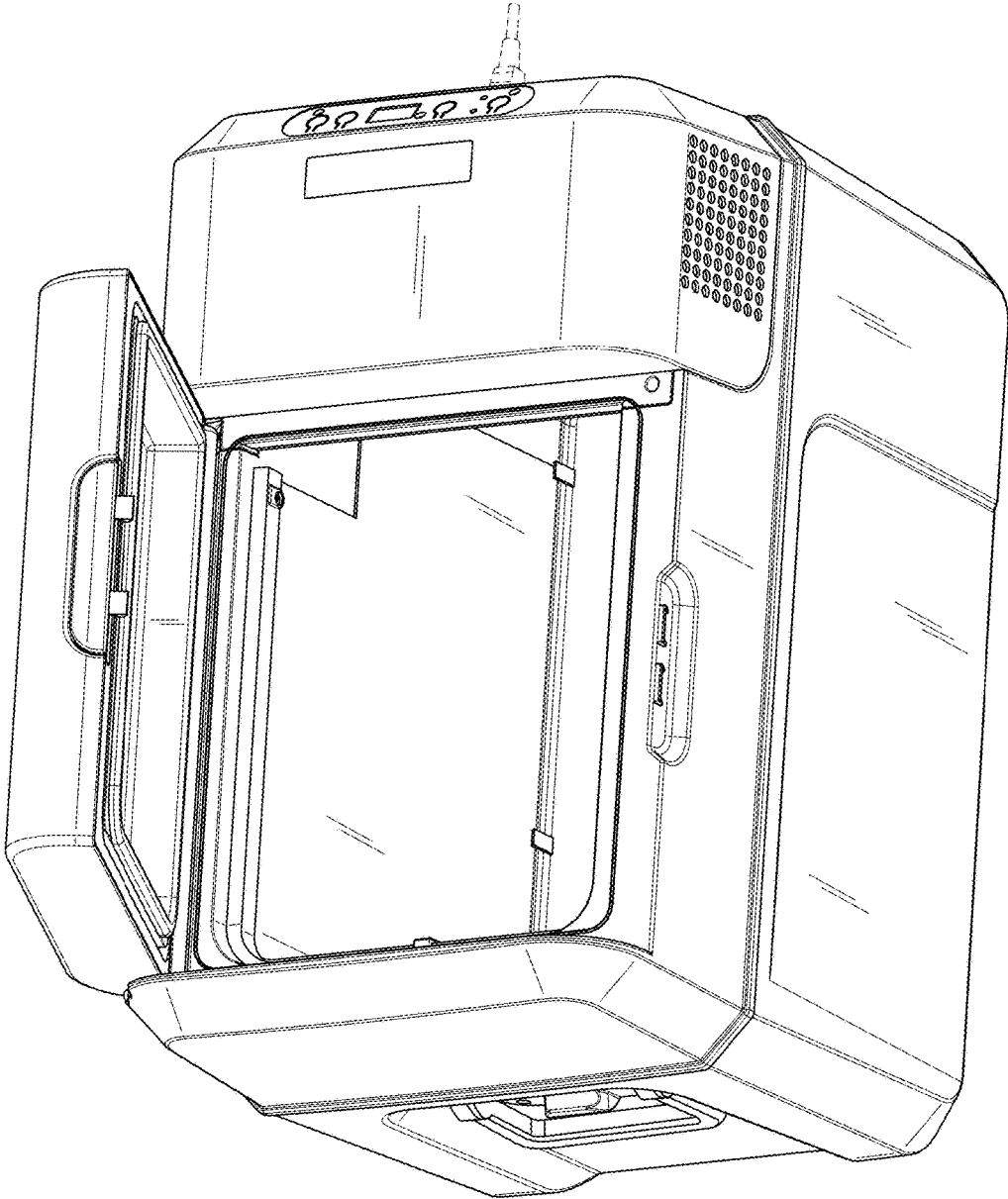


FIG. 8

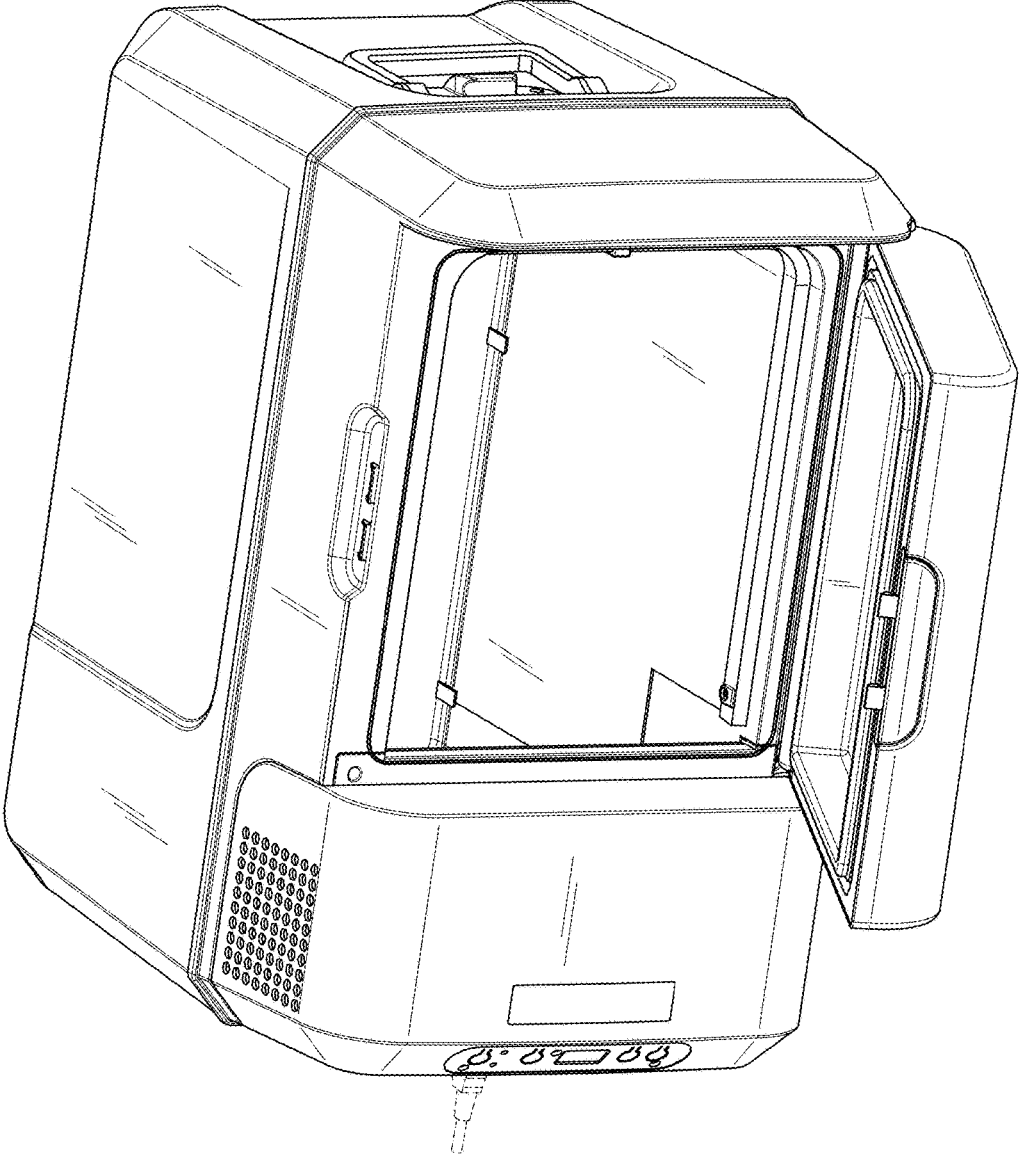


FIG. 9