



US00D789575S

(12) **United States Design Patent**
Willett

(10) **Patent No.:** **US D789,575 S**

(45) **Date of Patent:** **** Jun. 13, 2017**

(54) **VEHICLE REAR TAILLAMP**
(71) Applicant: **GM GLOBAL TECHNOLOGY OPERATIONS LLC**, Detroit, MI (US)

(72) Inventor: **Candice M. Willett**, Commerce Township, MI (US)

(73) Assignee: **GM Global Technology Operations LLC**, Detroit, MI (US)

(**) Term: **15 Years**

(21) Appl. No.: **29/555,414**

(22) Filed: **Feb. 22, 2016**

(51) **LOC (10) Cl.** **26-06**

(52) **U.S. Cl.**
USPC **D26/28**

(58) **Field of Classification Search**
USPC D26/28–36; 362/80–83, 267–269,
362/459–468, 475–478, 485–487
CPC F21S 48/00; F21S 48/10; F21S 48/115;
F21S 48/225; F21S 48/1233; F21S
48/1266; F21S 48/1388; F21S 48/2268;
F21V 21/04

See application file for complete search history.

(56) **References Cited**

U.S. PATENT DOCUMENTS

D570,742 S	6/2008	Takagi et al.	
D592,105 S	5/2009	Dean et al.	
D594,580 S *	6/2009	Ishizuka	D26/28
D597,447 S	8/2009	Folden	
D600,595 S	9/2009	Nakamura et al.	
D601,925 S	10/2009	O'Donnell	
D603,755 S *	11/2009	Peters	D12/92
D604,203 S	11/2009	O'Donnell	
D605,082 S	12/2009	Munson	
D605,083 S	12/2009	Manoogian, II et al.	

D605,977 S	12/2009	Zipfel et al.	
D605,978 S	12/2009	Wolff et al.	
D608,249 S	1/2010	Peters	
D608,690 S	1/2010	Folden et al.	
D608,691 S	1/2010	Zak, Jr. et al.	
D609,608 S	2/2010	Boniface et al.	
D611,387 S	3/2010	Thompson et al.	
D611,879 S	3/2010	Kim et al.	
D612,297 S	3/2010	Peters et al.	
D613,645 S	4/2010	Song et al.	
D615,458 S	5/2010	Thompson et al.	
D618,595 S	6/2010	Ware et al.	
D623,090 S	9/2010	Cox et al.	
D627,262 S	11/2010	Ikeda et al.	
D635,488 S	4/2011	Phipps	
D635,694 S *	4/2011	Yang	D26/28
D644,147 S	8/2011	Suh et al.	
D644,567 S	9/2011	Kozub	
D657,718 S	4/2012	Zipfel et al.	
D659,052 S	5/2012	Ware et al.	
D659,053 S	5/2012	Ware et al.	
D663,875 S *	7/2012	Kono	D26/28
D668,182 S	10/2012	Franco et al.	
D668,183 S	10/2012	Smart	
D678,820 S	3/2013	Song et al.	
D678,821 S	3/2013	Ikeda et al.	

(Continued)

Primary Examiner — Marcus Jackson

(74) *Attorney, Agent, or Firm* — Reising Ethington P.C.

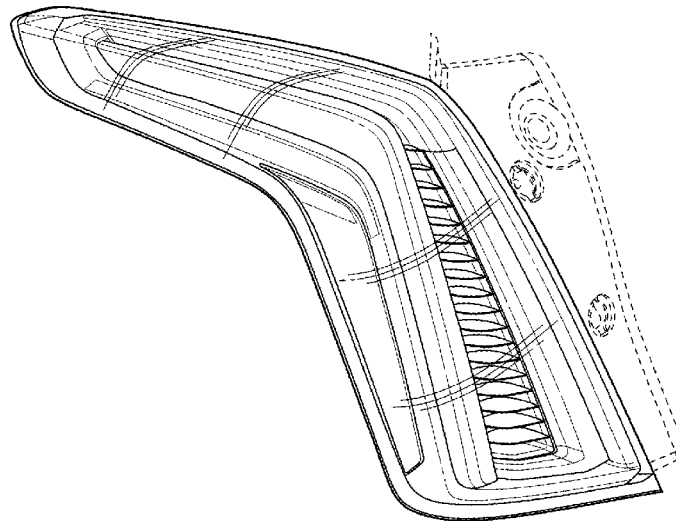
(57) **CLAIM**

The ornamental design for a vehicle rear taillamp, as shown and described.

DESCRIPTION

FIG. 1 is a perspective view of the vehicle rear taillamp; FIG. 2 is a front view thereof; FIG. 3 is a side view thereof; and, FIG. 4 is a top view thereof. In the drawings, the portions shown by broken lines form no part of the claimed design.

1 Claim, 2 Drawing Sheets



(56)

References Cited

U.S. PATENT DOCUMENTS

D680,909 S	4/2013	Munson et al.	D732,431 S	6/2015	Loeb
D680,910 S	4/2013	David	D732,432 S	6/2015	Aengenheyster
D684,899 S	6/2013	Baker	D732,433 S	6/2015	Aengenheyster
D686,536 S	7/2013	McCabe et al.	D732,435 S	6/2015	Mackay
D692,798 S	11/2013	Thurber	D733,002 S	6/2015	Loeb
D692,799 S	11/2013	Smith et al.	D735,611 S	8/2015	Aengenheyster
D696,157 S	12/2013	Loeb	D735,627 S	8/2015	Smith
D699,629 S	2/2014	Ikeda et al.	D736,451 S	8/2015	Smith
D700,871 S	3/2014	O'Donnell et al.	D739,306 S	9/2015	McMahan
D703,103 S	4/2014	Lee	D739,317 S	9/2015	McMahan et al.
D704,103 S	5/2014	Mack et al.	D741,223 S	10/2015	Kim et al.
D705,132 S	5/2014	Ware et al.	D743,309 S	11/2015	Thole et al.
D705,699 S	5/2014	Ware et al.	D743,313 S	11/2015	Smith et al.
D713,298 S	9/2014	Dyson	D743,314 S	11/2015	Thole et al.
D713,764 S	9/2014	Ferlazzo et al.	D743,857 S	11/2015	McMahan et al.
D716,696 S	11/2014	Thole et al.	D744,158 S	11/2015	Willett et al.
D716,706 S	11/2014	Thole et al.	D745,086 S	12/2015	Finos et al.
D716,709 S	11/2014	Thole et al.	D745,719 S	12/2015	Boniface et al.
D717,696 S	11/2014	Thole et al.	D745,725 S	12/2015	McMahan et al.
D718,189 S	11/2014	Krieg et al.	D745,726 S	12/2015	McMahan et al.
D718,683 S	12/2014	Thole et al.	D745,837 S	12/2015	Smith et al.
D722,282 S	2/2015	Loeb	D746,726 S	1/2016	Smith et al.
D722,533 S	2/2015	Thole et al.	D746,727 S	1/2016	Smith et al.
D722,534 S	2/2015	Munson et al.	D746,728 S	1/2016	Smith et al.
D724,510 S	3/2015	McMahan et al.	D746,729 S	1/2016	Boniface et al.
D725,001 S	3/2015	McMahan et al.	D746,730 S	1/2016	Kim et al.
D726,591 S	4/2015	Jacob	D747,514 S	1/2016	McMahan et al.
D730,776 S	6/2015	Smart	D747,515 S	1/2016	McMahan et al.
D730,783 S	6/2015	Henriques et al.	D747,819 S	1/2016	Thole et al.
D732,427 S	6/2015	Loeb	D749,021 S	2/2016	Boniface et al.
D732,429 S	6/2015	Loeb	D749,026 S	2/2016	Smith et al.
D732,430 S	6/2015	Loeb	D749,027 S	2/2016	McMahan et al.
			D749,246 S	2/2016	Thole et al.
			D749,249 S	2/2016	Thole et al.
			D749,250 S	2/2016	Thole et al.

* cited by examiner

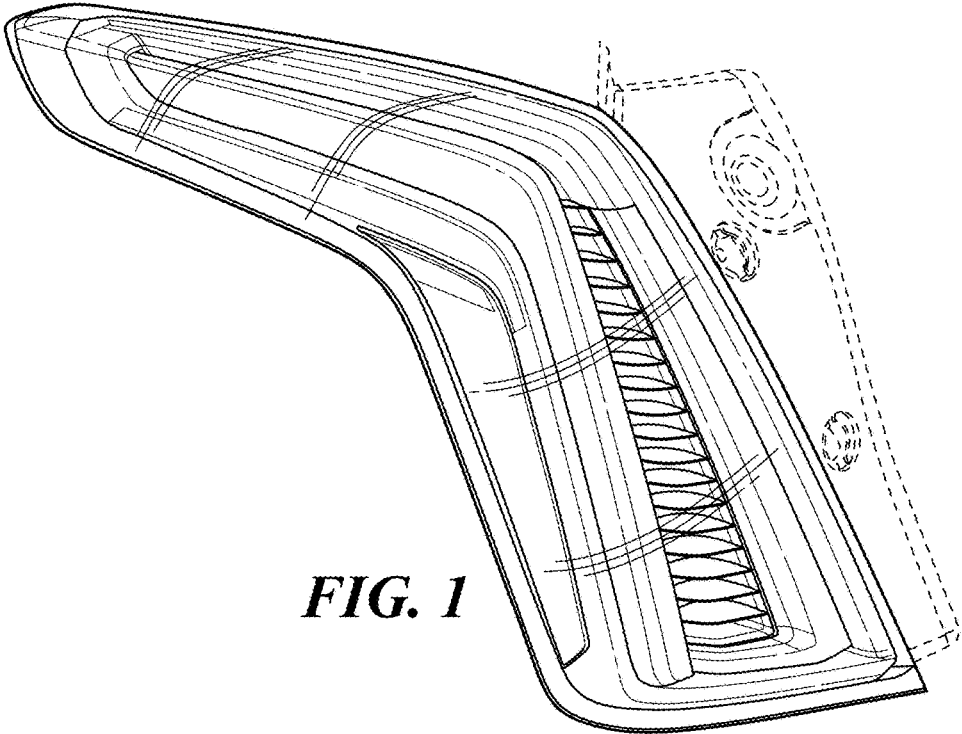


FIG. 1

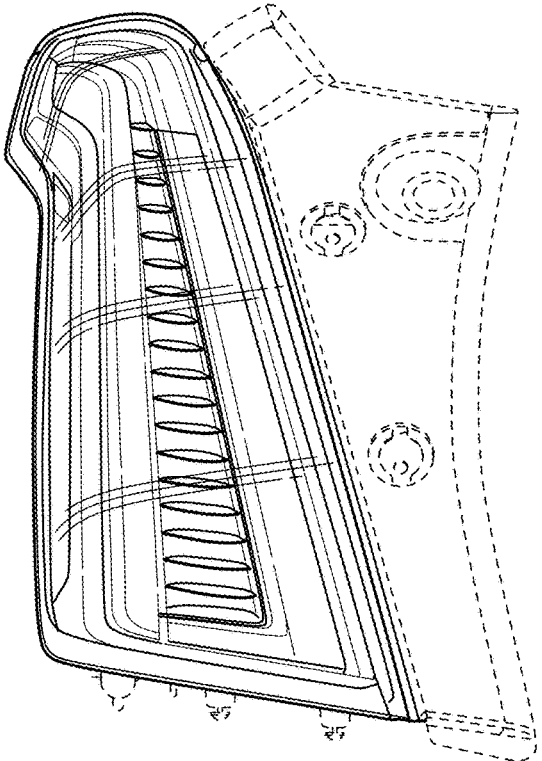


FIG. 2

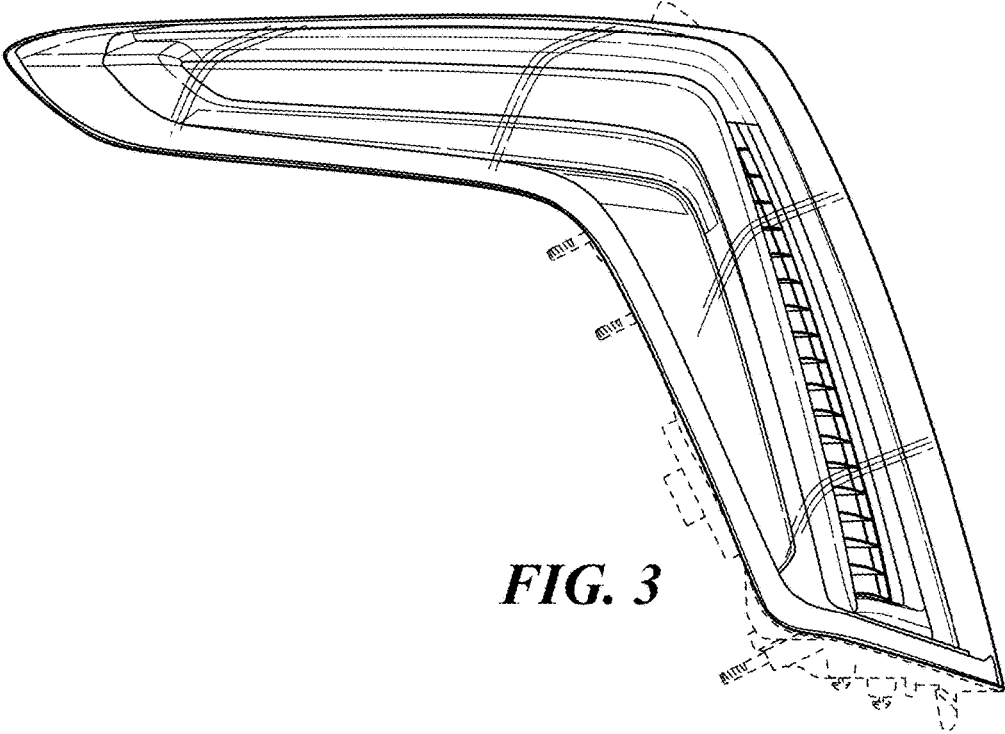


FIG. 3

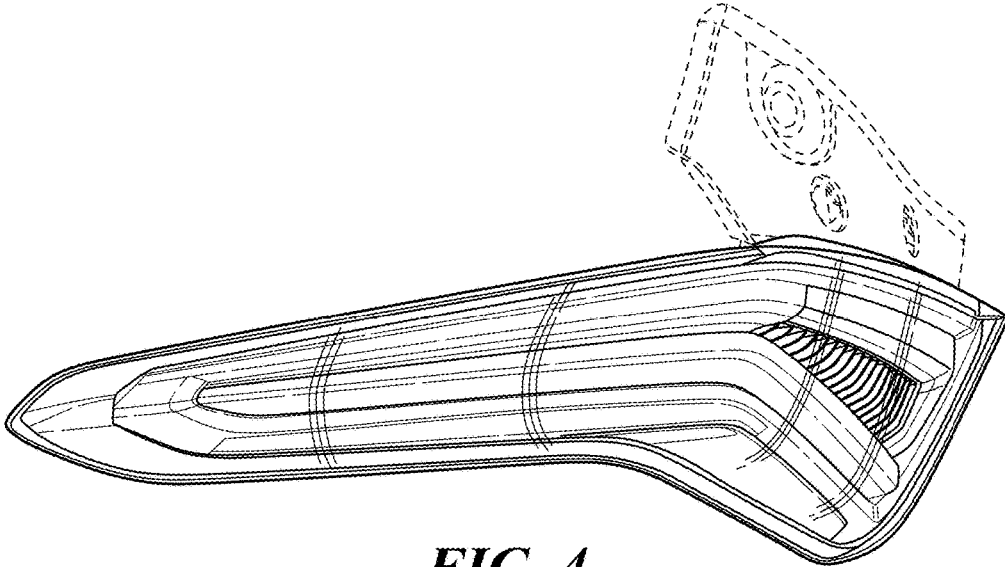


FIG. 4