



US0D1029751S

(12) **United States Design Patent**  
**Chen**

(10) **Patent No.:** **US D1,029,751 S**

(45) **Date of Patent:** **\*\* Jun. 4, 2024**

(54) **POWER BANK**

**FOREIGN PATENT DOCUMENTS**

(71) Applicant: **Shenzhen Vanyust Technology Limited**, Shenzhen (CN)

CN 303101848 \* 2/2015  
CN 308116553 \* 7/2023  
WO WO-D215678-024 \* 8/2021

(72) Inventor: **Dashun Chen**, Guangdong (CN)

**OTHER PUBLICATIONS**

(\*\*) Term: **15 Years**

5000mAh Charger—Amazon, Announced on Aug. 3, 2021[online], retrieved on Aug. 18, 2023, retrieved from internet, <https://www.amazon.co.uk/EnergyCell-Ultra-Compact-High-speed-Compatible-More-Black/dp/B09BR13TK2> (Year: 2021).\*

(21) Appl. No.: **29/830,232**

BONAI—Amazon, announced on Aug. 3, 2021 [online], retrieved on Aug. 18, 2023, retrieved from internet, <https://www.amazon.com/BONAI-Ultra-Compact-High-Speed-Compatible-Samsung-Rose/dp/B07GQS8R3N> (Year: 2023).\*

(22) Filed: **Mar. 10, 2022**

(51) **LOC (14) Cl.** ..... **13-02**

(52) **U.S. Cl.**  
USPC ..... **D13/103**

(Continued)

(58) **Field of Classification Search**

USPC ..... D13/103, 107–110, 118, 119, 184, 199;  
D14/251, 253, 432, 434, 447  
CPC ..... H02J 7/0042; H02J 7/0044; H02J 7/0045;  
H02J 7/0003; H02J 7/0013; H02J 7/00  
See application file for complete search history.

*Primary Examiner* — Mark A Goodwin  
*Assistant Examiner* — Noah Perez

(74) *Attorney, Agent, or Firm* — Ying-Ting Chen; Law Office of Michael Chen

(57) **CLAIM**

The ornamental design for a power bank, as shown and described.

(56) **References Cited**

**DESCRIPTION**

**U.S. PATENT DOCUMENTS**

D664,920	S	*	8/2012	Huang	.....	D13/107
D749,044	S	*	2/2016	Huang	.....	D13/108
D762,564	S	*	8/2016	Patton	.....	D13/103
D815,037	S	*	4/2018	Chen	.....	D13/108
D866,559	S	*	11/2019	Shim	.....	D14/435
D870,659	S	*	12/2019	Liao	.....	D13/108
D889,401	S	*	7/2020	Li	.....	D13/103
D899,355	S	*	10/2020	Sommerfeld	.....	D13/103
D911,926	S	*	3/2021	Li	.....	D13/103
D926,160	S	*	7/2021	Huang	.....	D14/223
D933,313	S	*	10/2021	Jiang	.....	D28/59
D943,511	S	*	2/2022	Liu	.....	D27/162
D943,512	S	*	2/2022	Liu	.....	D27/162
D979,497	S	*	2/2023	Tseng	.....	D13/110

FIG. 1 is a perspective view of a power bank showing my new design;

FIG. 2 is a perspective view thereof from another angle;

FIG. 3 is a front elevational view thereof;

FIG. 4 is a rear elevational view thereof;

FIG. 5 is a left side elevational view thereof;

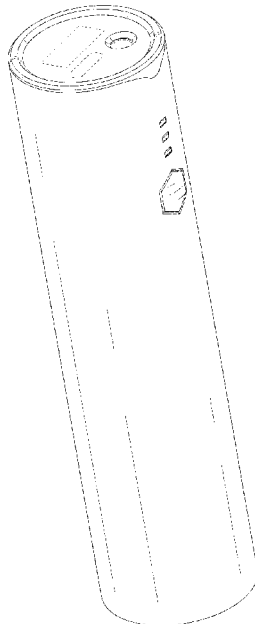
FIG. 6 is a right side elevational view thereof;

FIG. 7 is a top plan view thereof; and,

FIG. 8 is a bottom plan view thereof.

The broken lines shown in the drawings depict portions of the power bank that form no part of the claimed design.

**1 Claim, 8 Drawing Sheets**



(56)

**References Cited**

OTHER PUBLICATIONS

Lexon—Amazon, Announced on Mar. 30, 2021 [online], retrieved on Aug. 18, 2023, retrieved from internet, <https://www.amazon.de/-/en/Lexon-Power-External-Battery-3000mAh/dp/B0913B8Z8D> (Year: 2023).\*

Anker Powercore—Amazon, Announced on Mar. 11, 2016[online], retrieved on Aug. 18, 2023, retrieved from internet, <https://www.amazon.com/Anker-PowerCore-Ultra-Compact-High-Speed-Technology/dp/B01CU1EC6Y> (Year: 2023).\*

\* cited by examiner

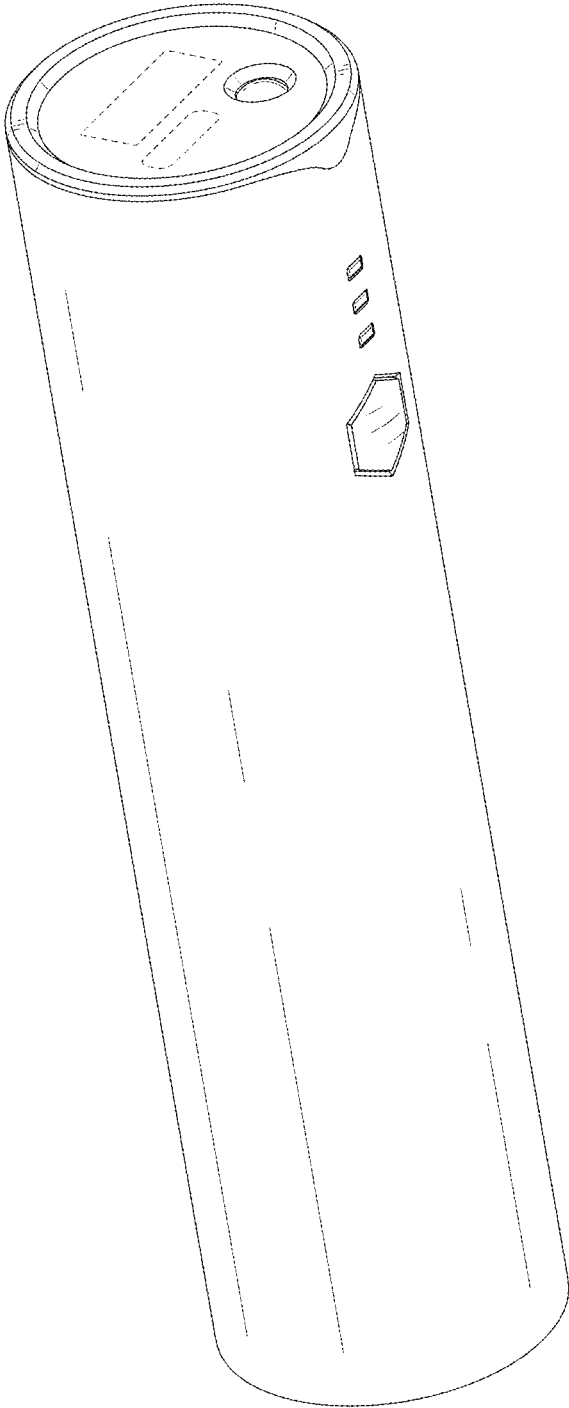


FIG. 1

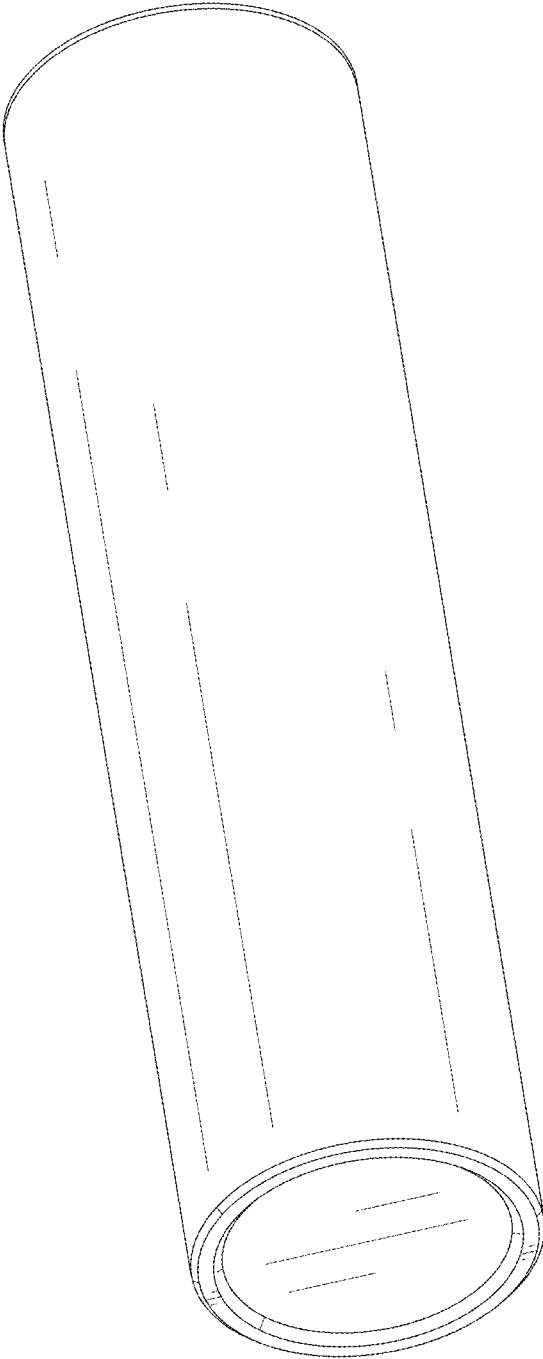


FIG. 2

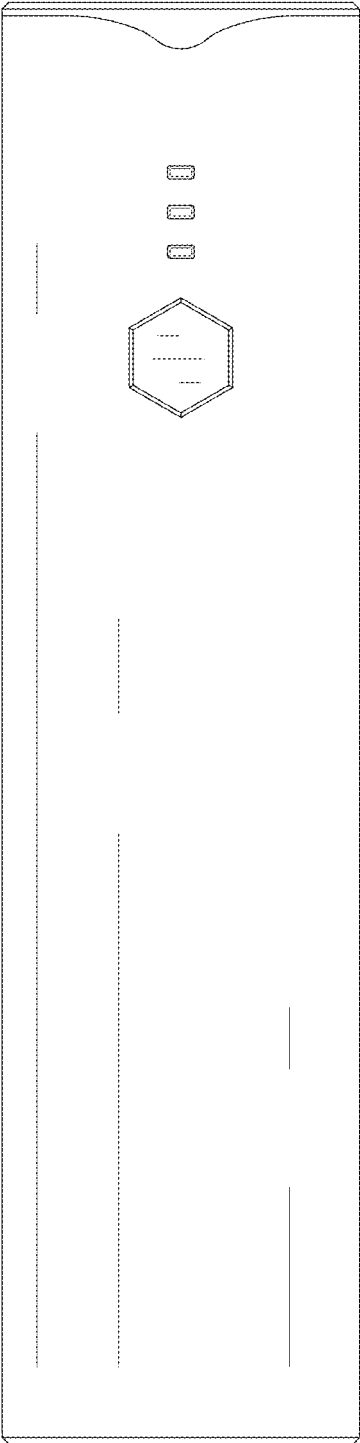


FIG. 3

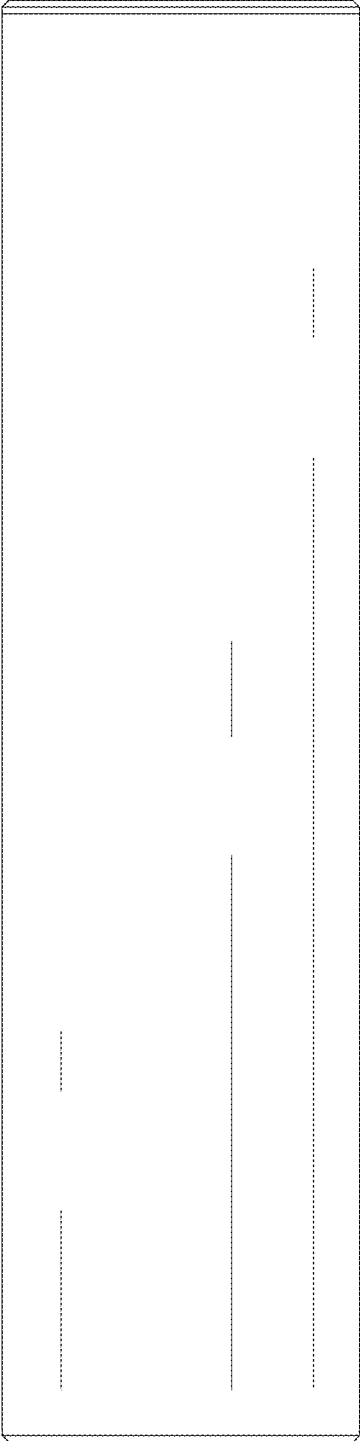


FIG. 4

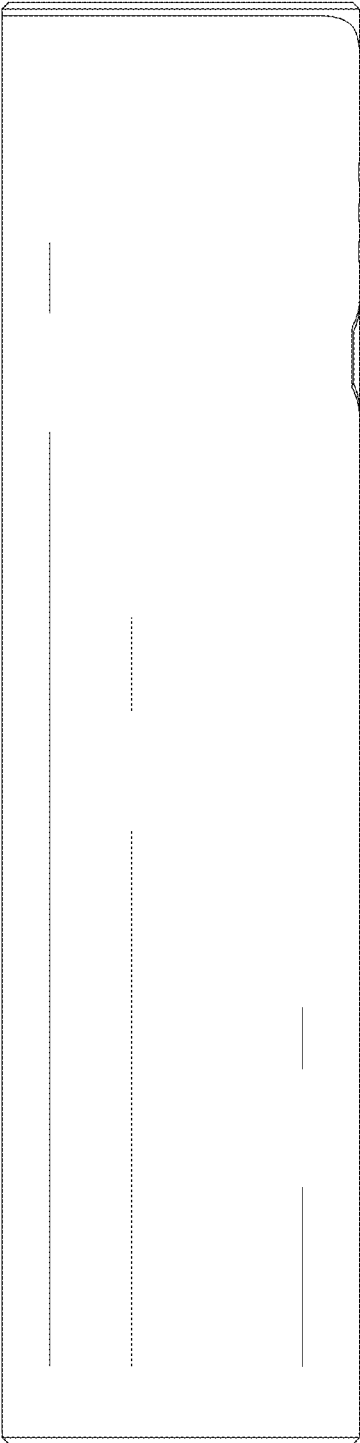


FIG. 5

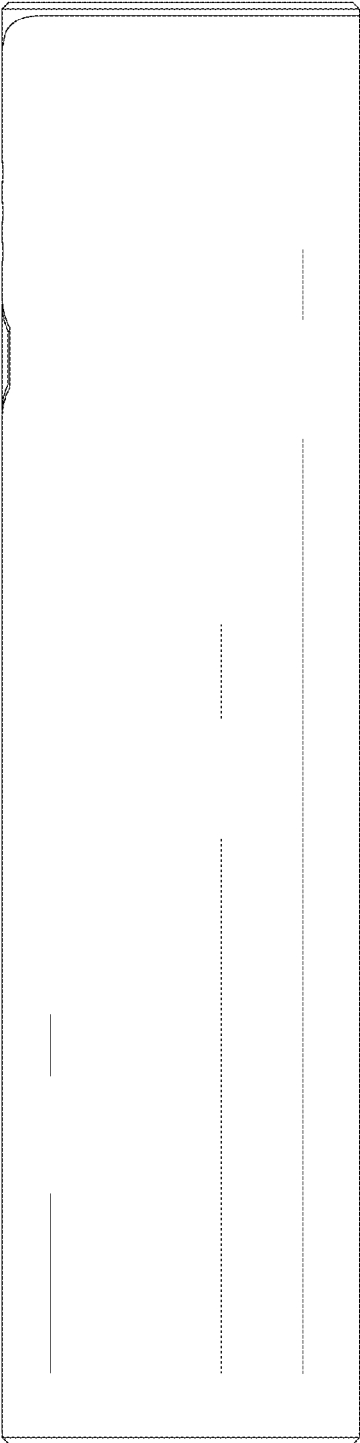


FIG. 6

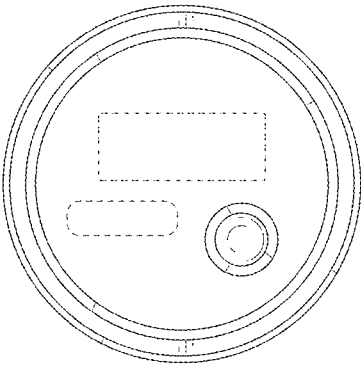


FIG. 7

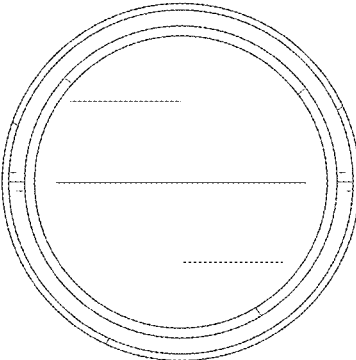


FIG. 8