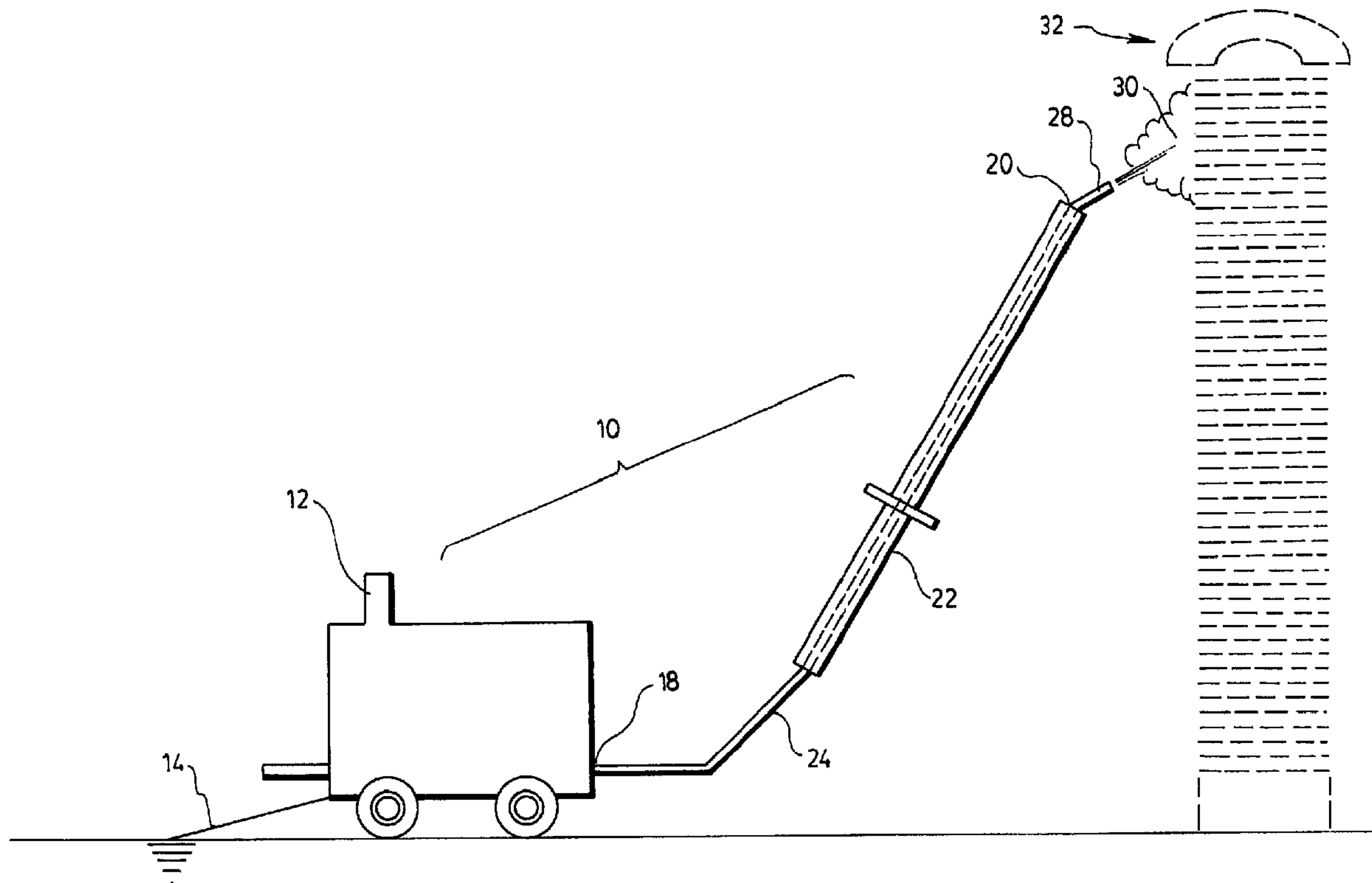




(22) Date de dépôt/Filing Date: 2003/06/16
(41) Mise à la disp. pub./Open to Public Insp.: 2004/12/16
(45) Date de délivrance/Issue Date: 2011/04/19

(51) Cl.Int./Int.Cl. *B08B 3/10* (2006.01),
B08B 3/02 (2006.01)
(72) Inventeurs/Inventors:
LANOIE, ROBERT, CA;
BOUCHARD, DAVE, CA;
TURCOTTE, YVON, CA
(73) Propriétaire/Owner:
HYDRO-QUEBEC, CA
(74) Agent: ROBIC

(54) Titre : METHODE ET APPAREIL PERMETTANT D'EFFECTUER LE NETTOYAGE SECURITAIRE D'EQUIPEMENT
SOUS TENSION
(54) Title: METHOD AND APPARATUS FOR SAFELY CLEANING A LIVE EQUIPMENT



(57) Abrégé/Abstract:

The method and apparatus are for safely cleaning live equipment. The method comprises the steps of heating a water-based solution by means of an apparatus to produce superheated steam; grounding this apparatus; conducting the superheated steam through an insulated conduct; and concentrating this superheated steam into a pressurized jet at an output of the insulated conduct. After the step of grounding the apparatus, the method further comprises the step of applying the pressurized jet through the insulated conduct output, onto the live equipment to be cleaned.

ABSTRACT

The method and apparatus are for safely cleaning live equipment. The method comprises the steps of heating a water-based solution by means of an apparatus to produce superheated steam; grounding this apparatus; conducting the superheated steam through an insulated conduct; and concentrating this superheated steam into a pressurized jet at an output of the insulated conduct. After the step of grounding the apparatus, the method further comprises the step of applying the pressurized jet through the insulated conduct output, onto the live equipment to be cleaned.

METHOD AND APPARATUS FOR SAFELY CLEANING A LIVE EQUIPMENT

TECHNICAL FIELD

5 The present invention relates to a method and apparatus for safely cleaning a live equipment. More particularly, the present invention is for cleaning live disconnecter switches.

BACKGROUND OF THE INVENTION

10 The field of live electrical equipments has been faced with a number of impediments hindering their proper function. More precisely, proper maintenance of such equipments is crucial.

15 One of the main problems related to substation electrical equipment maintenance is pollution. Indeed, pollution deposits on substation electrical equipments reduce their insulation and can produce flashovers. It is imperative to clean this pollution in order to increase power reliability. In the past, substations were easily turned off and cleaned with high pressure water or other techniques. Nowadays, substations cannot be turned off without affecting in some way the customer. There is a dire need for safely cleaning live electrical equipments.

20 Furthermore, in multiple areas, atmospheric pollution or salty deposits from the ocean are affecting the characteristics of insulators by accumulating on the exposed side of such insulators and thus forming a conductive coating. A currently-used method for cleaning live equipment is to pump deionized water with a great flow. However, this method requires a big reservoir and an increasing distance of operation with increasing voltage level. This method is useless over a
25 certain wind velocity and is not used for de-icing because it requires a big heating capacity and the splashing water is producing an ice build-up on adjacent equipments.

Moreover, during the last severe ice storm in North America, it has been recognized that substation live equipments covered with few inches of ice were difficult to operate. This applies mainly to disconnecter switches. This situation is understandably unacceptable for substation operation.

5 Removal of pollution accumulation on live substation equipment can be accomplished by high pressure water spray and fixed water spray systems as presented in the IEEE Guide for cleaning Insulators (IEEE Std 957-1995). A somewhat similar system is disclosed in US patent no. 4,477,289 granted to KURTGIS. More precisely, this patent describes a system based on pressurized
10 vaporisation for washing insulating components of high-voltage transmission lines. This system can be used for washing both energized and non-energized equipment. In such a system, a helicopter provides an airborne, mobile and ungrounded washing apparatus. As can be appreciated, both of the above-mentioned systems require a great amount of water, with low conductivity. Water
15 splashing can also produce equipment flashover depending on the severity of pollution accumulation on the equipment. The wind can considerably reduce the cleaning efficiency because the water jets are strongly dispersed. Finally, the method disclosed by KURTGIS in particular, cannot be applied for substation equipment cleaning because it does not meet safety regulation requirements.

20 Also known in the art is US patent no. 4,898,330 granted to BETCHAN in which is described a manually operated de-icer sprayer wherein a de-icing fluid is heated with an electrical heater means. As can be easily understood, such a manual system presents major hazards for the operator, especially during storms. Moreover, the operator, who has to remain outside under such intense weather,
25 might not be able to stay long enough at the washing site until completion of the work.

Removal of ice accumulation on substation equipment may be accomplished by de-icing systems, such as illustrated in US patent no. 4,565,321 granted to VESTERGAARD, patent no. 5,028,017 to SIMMONS *et al.* and patent no.
30 5,746,396 to THORNTON-TRUMP. One of the drawbacks of this technique is that

the substation must be turned off before de-icing begins. This can be impossible or very difficult to achieve especially during winter and mainly in the midst of winter storms. Furthermore, in order to de-ice live substations, one should use heated demineralised spray water and respect a safe distance between the spray nozzle and the live equipment such as to prevent flashover in the water jet. Moreover, since the water jet is heated, it has a non-negligible conductivity and conducting current can thus be produced in the water. Finally, very strong winds blowing during ice storms can reduce the water jet efficiency to zero since the jet is strongly dispersed in such conditions. The use of water jets will also produce icing and wetting on nearby equipment not under de-icing and can make the situation even worse than before. Therefore, the use of heated demineralised spray water is not recommendable.

Also known by the Applicant are the following US patent numbers which describe different washing (de-icer) systems: US 4,062,277; US 4,821,958; US 5,193,587; US 6,042,023; US 6,126,083; US 6,237,861; US 6,264,142; US 4,826,107.

A major drawback of the prior art is that it does not provide a method and an apparatus for safely and efficiently cleaning live electrical equipments.

20 SUMMARY OF THE INVENTION

An object of the present invention is to provide a method and apparatus for cleaning live equipment that are safe and more efficient than methods and apparatus of the prior art. In other words, such safe and efficient cleaning is achieved without exposing the personnel to flashover and ice falling down.

In accordance with the present invention, the above object is achieved by a method for safely cleaning live equipment, the method comprising the steps of:

4

- a) heating a water-based solution by means of an apparatus to produce steam and heating said steam to produce superheated steam;
- b) grounding said apparatus;
- c) conducting the superheated steam through an electrically non-conducting conduct;
- d) concentrating said superheated steam into a pressurized jet at an output of the electrically non-conducting conduct;
- e) positioning with an electrically non-conducting boom, the output of the electrically non-conducting conduct near the live equipment; and
- f) after step b), applying said pressurized jet through said output, onto the live equipment for cleaning said equipment.

10

Another object of the present invention is to provide an apparatus for safely cleaning live equipment, the apparatus comprising:

- heating means for heating a water-based solution to produce steam and for heating said steam to produce superheated steam, comprising an output;
- a grounding element for grounding said apparatus;
- an electrically non-conducting conduct having an input connected to the output of the heating means, and an output;
- a nozzle connected to the output of the electrically non-conducting conduct for concentrating said superheated steam into a pressurized jet usable for cleaning the live equipment; and
- an electrically non-conducting boom supporting the electrically non-conducting conduct for positioning the nozzle near the live equipment to be cleaned.

20

4a

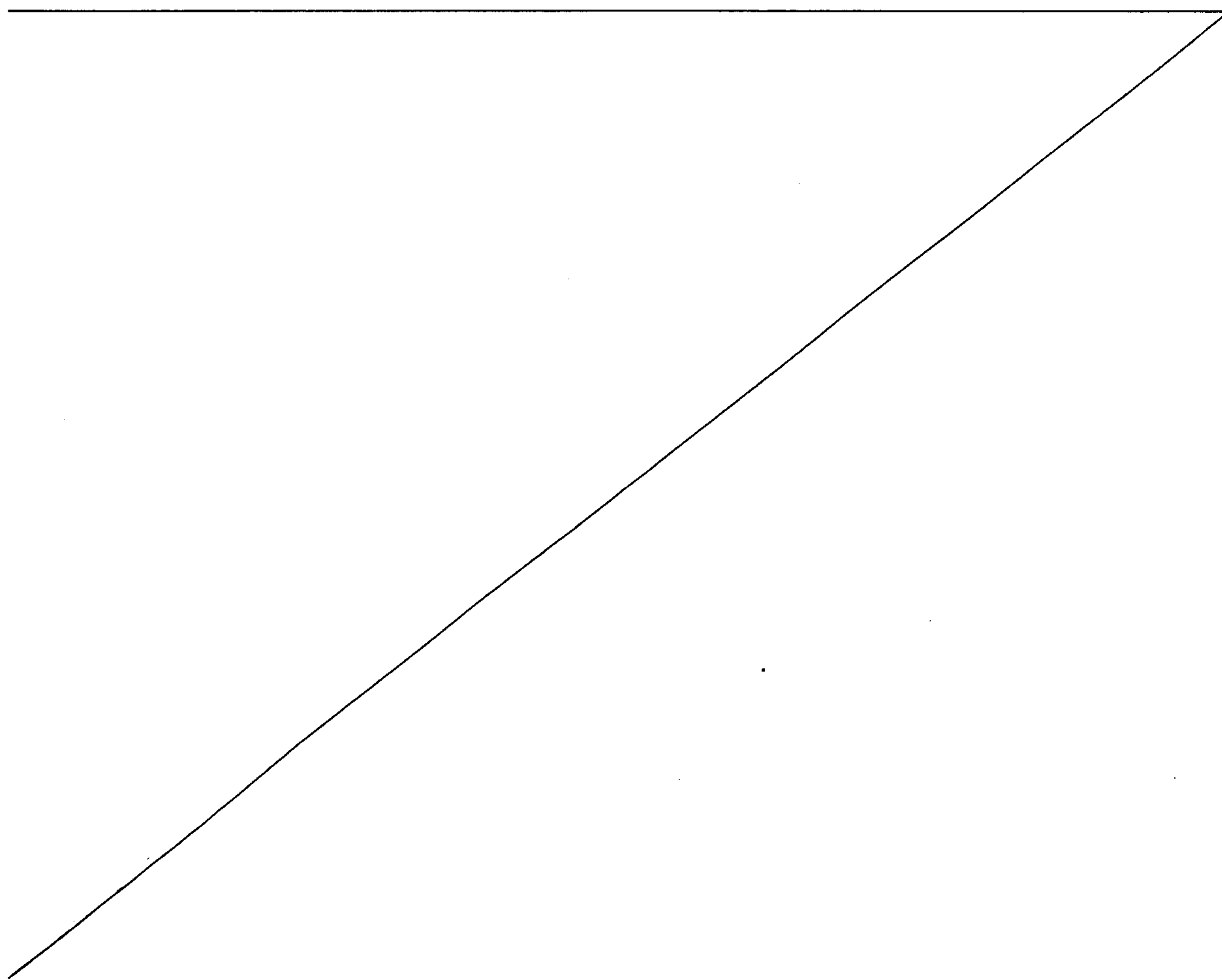
The invention and its advantages will be better understood upon reading the following non-restrictive description of preferred embodiments thereof, made with reference to the accompanying drawings.

BRIEF DESCRIPTION OF THE DRAWINGS

Figure 1. Schematic view of a preferred embodiment of an apparatus according to the invention, in relation to a live equipment to be cleaned.

Figure 2. Schematic view of another preferred embodiment of an apparatus according to the invention.

DETAILED DESCRIPTION OF THE INVENTION



In the following description, similar features in the drawings have been given similar reference numerals and in order to lighten the figures, some elements are not referred to in some figures if they were already identified in a previous figure.

Referring now to FIGURE 1, one can see a cross-sectional view of the apparatus 10 according to a preferred embodiment of the invention. The apparatus 10 is used for safely cleaning live equipment. This apparatus 10 comprises heating means, preferably a boiler 12 and more preferably a mobile boiler 12, for heating a water-based solution to produce superheated steam. A grounding element 14 is provided for grounding this apparatus 10. The apparatus 10 also comprises an insulated conduct having an input 18 connected to the output of the boiler 12. A nozzle 28 is connected to the output 20 of the insulated conduct for concentrating the superheated steam into a pressurized jet 30 usable for cleaning the live equipment 32.

Preferably, the boiler 12 has an operating pressure ranging from 70 to 125 psig, and delivers a maximum flow of 150 lbs./hour of superheated steam. Preferably also, the insulated conduct has rigid 22 and flexible 24 portions. The rigid portion 22 of the insulated conduct is at least 2 meters long. The rigid portion 22 of the insulated conduct can also withstand a maximum operating pressure of 150 psig. Preferably also, under dry conditions, this rigid portion 22 of the insulated conduct can withstand an AC phase-to-neutral voltage of 140 kV/meter of rigid portion, at a frequency of 60 Hz. Still preferably, under dry conditions, the rigid portion 22 of the insulated conduct allows a maximum conducting current of 2 mA when subjected to an AC phase-to-neutral voltage of 52 kV/meter of rigid portion.

Preferably, the flexible portion 24 has an internal diameter ranging from 3/8 to 1/2 inch, and can also withstand a maximum operating pressure of 300 psig.

Preferably also, when the insulated conduct consists only of a flexible portion 24, this flexible portion 24 withstands an AC phase-to-neutral voltage of 450 kV/2,7 meters of flexible portion, at a frequency of 60 Hz, under dry conditions. Under wet conditions, the flexible portion 24 can withstand an AC phase-to-neutral voltage of

240 kV/2,7 meters of flexible portion, at a frequency of 60 Hz. In another preferred embodiment under said wet conditions, the flexible portion **24** can withstand a switching voltage of 850 kV/2,7 meters of flexible portion. Furthermore, the flexible portion **24** can allow a maximum conducting current of 2 mA when
5 subjected to an AC phase-to-neutral voltage of 240 kV/2,7 meters of flexible portion. As used herein, the expression "wet conditions" refers to conditions which are similar to rain having a conductivity of 15 μ S/cm.

Referring now to FIGURE 2, one can see a schematic view of the apparatus **10** according to yet another preferred embodiment of the invention. As can be
10 depicted, the apparatus **10** according to the invention is placed on an undercarriage **34**, and further comprises an insulated boom **36** supporting the insulated conduct and used for positioning the nozzle **28** near the live equipment **32** to be cleaned. This insulated boom **36** comprises one or more insulated sections. The total length of these insulated sections can range from 1 to 15
15 meters, depending on the distance separating the boiler **12** from the equipment **32** to be cleaned. Preferably also, the insulated boom **36** can be longer than 15 meters.

Preferably, under dry conditions, the insulated boom **36** withstands an AC phase-to-neutral voltage of 450 kV/2,7 meters of insulated boom, at a frequency of 60 Hz.
20 Under the above-mentioned wet conditions, the insulated boom **36** preferably withstands an AC phase-to neutral voltage of 240 kV/2,7 meters of insulated boom, at a frequency of 60 Hz. The insulated boom **36** can also withstand a switching voltage of 850 kV/2,7 meters of insulated boom, under said wet conditions.

25 The present invention also relates to a method for safely cleaning live equipment **32**. Referring to Figure 1, this method comprises the steps of a) heating a water-based solution by means of an apparatus **10** to produce superheated steam; b) grounding this apparatus **10**; c) conducting the superheated steam through an insulated conduct; d) concentrating said superheated steam into a pressurized jet
30 **30** at an output **20** of the insulated conduct; and e) after step b), applying said

pressurized jet **30** through the insulated conduct output **20**, onto the live equipment to be cleaned.

Preferably, step a) of the method comprises steps of heating said water-based solution to produce steam, and heating said steam to produce superheated steam.

5 This heating step can be accomplished by a boiler **12** which is used to heat the water-based solution until steam is produced. The steam thus produced is then heated, while still being confined within the boiler **12**. As pressure builds up within the boiler **12**, superheated steam is produced. According to the present invention, this superheated steam is produced under a pressure ranging from 75 to 115 psig.

10 Another advantage of the present invention is the availability of the initial product to be used in the present invention, namely a water-based solution of variable conductivity which, upon simple heating, is transformed into superheated steam characterized in that it presents a relatively low conductivity. Superheated steam of the present invention has thus been discovered to be a tool of choice for use on
15 live equipment **32**. Preferably, the superheated steam produced in step a) of the present invention has a maximum conductivity of 1,5 $\mu\text{S}/\text{cm}$, more preferably ranging from 0,05 to 1,5 $\mu\text{S}/\text{cm}$.

Preferably, in step e) of the method, the pressurized jet **30** is applied onto the live equipment **32** by positioning the insulated conduct output **20** at a maximum
20 distance of six inches from the live equipment **32**.

As best shown in Figure 1, the superheated steam is conducted through an insulated conduct at the end of which an outlet nozzle **28** is attached. According to the method of the present invention, this outlet nozzle **28** is directed toward the live equipment **32** to be cleaned. The present apparatus **10** is an improvement
25 over existing systems due to its increased efficiency, safety and cost effectiveness.

The method of the invention can be applied under extreme weather conditions such as strong winds or low outdoor temperatures (-25°C), without producing splashing on nearby live equipment. Thanks to the high pressure built up from the

boiler 12, the cleaning of live equipment can be achieved rapidly, often in only few minutes. The insulated conduct can be moved manually, as shown in Figure 1, or be attached to an insulated boom 36, the boom being fixed to a lifting device 38 to provide greater manoeuvrability, as depicted in Figure 2.

5 The apparatus 10 of the present invention can be used to clean live substation equipments of a wide voltage range, namely from 25kV up to 315 kV actually and possibly up to 800kV. With regards to the use of the present apparatus 10, two preferred embodiments can be cited, one for low structures corresponding to equipments under 75 kV and a second one for high structures corresponding usually to equipments up to 800 kV. Superheated steam, as described
10 hereinabove, is used in both cases and is produced by a heating means, preferably mobile, which self-contains the initial water-based solution and its operating fuel.

On low structures and under 75 kV, as shown in Figure 1, a hand manoeuvrable
15 insulated conduct can be used from the ground. Alternatively, although not shown, a small lifting device attached to a basket for one or two men can be used to reach slightly higher structures.

According to the preferred embodiment depicted in Figure 2, it is clearly shown that the apparatus 10 can be mounted on an undercarriage 34, such as a pickup
20 truck or on a small trailer. This embodiment is particularly used for high rise structures. In this environment, an insulated boom 36, preferably a completely dielectric telescopic boom, is mounted on a pickup truck with the boiler 12 underneath. This boom 36 can reach up to 59 feet close to the truck, it is radio-controlled and can work under severe weather conditions such as rain, freezing
25 rain, strong winds reaching up to 50km/h in velocity, or under a wide range of temperatures ranging from +50°C to -35°C.

Preferably, the apparatus 10 and method of the present invention teach the use of a relatively long boom 36, preferably retractable for storage purposes, transported on a small carrier 34 without the use of stabilisation jack arms on each side of the

carrier. This particularly facilitates cleaning equipment or structures located in hard-to-reach places or sites located on unlevelled ground. In such complex settings, the telescopic boom 36 can be completely extended, even at a small angle of elevation almost horizontally and sideways, without excessive tilting of a light carrier. The present invention thus provides a small self-contained and cost-effective cleaning system for high-voltage energized equipments for transportation and distribution.

Due to the simplicity of operation and relatively low cost, the present apparatus 10 may be used for different purposes such as cleaning concrete and steel bridges, building facades, rapid removal of pollution on outside structures or rapid removal of graffiti, among others.

Preferably, the main factors involved in enabling the above-mentioned effects, as illustrated in Figures 1 and 2, are the following: the physical properties of the initial water-based solution and the final superheated steam; and the length and internal diameter of the insulated conduct.

As may now be appreciated, the apparatus 10 and method disclosed in the present invention are easily distinguishable from the prior art from which the following problems arise. First of all, great amounts of high-pressure fluid are needed for proper cleaning of live equipment. Furthermore, liquid splashing can produce equipment flashover. Moreover, high winds can reduce cleaning efficiency because of strong dispersion of fluid jets, thus weakening their strength. In certain situations, it was necessary to de-energise the equipment before cleaning it. Understandably, this was a difficult and often impossible task to perform during winter and particularly under stormy weather. Another disadvantage is use of heated water jet which means relatively high conductivity, a great hazard around live equipment. Finally, use of water jets can produce icing and wetting on nearby live equipment not under cleaning and can make the situation even worse than before.

In this connection, the safe, efficient and cost-effective apparatus **10** and method of the present invention provide a substantial improvement over the above-mentioned major drawbacks of the prior art.

5 Of course, numerous modifications could be brought to the above-described embodiments without departing from the scope of the invention as defined in the appended claims.

WHAT IS CLAIMED IS:

1. A method for safely cleaning live equipment, the method comprising the steps of:

- a) heating a water-based solution by means of an apparatus to produce steam and heating said steam to produce superheated steam;
- b) grounding said apparatus;
- c) conducting the superheated steam through an electrically non-conducting conduct;
- d) concentrating said superheated steam into a pressurized jet at an output of the electrically non-conducting conduct;
- e) positioning with an electrically non-conducting boom, the output of the electrically non-conducting conduct near the live equipment; and
- f) after step b), applying said pressurized jet through said output, onto the live equipment for cleaning said equipment.

2. A method according to claim 1, wherein, in step a), the superheated steam has a maximum conductivity of 1,5 $\mu\text{S}/\text{cm}$.

3. A method according to claim 1, wherein, in step a), the superheated steam has a conductivity ranging from 0,05 $\mu\text{S}/\text{cm}$ to 1,5 $\mu\text{S}/\text{cm}$.

4. A method according to claim 1, wherein, in step a), the superheated steam is produced under a pressure ranging from 75 to 115 psig.

5. A method according to claim 1, wherein the positioning in step e), comprises positioning the output of the electrically non-conducting conduct at a maximum distance of six inches from the live equipment.

6. An apparatus for safely cleaning live equipment, the apparatus comprising:

- heating means for heating a water-based solution to produce steam and for heating said steam to produce superheated steam, comprising an output;
- a grounding element for grounding said apparatus;
- an electrically non-conducting conduct having an input connected to the output of the heating means, and an output;
- a nozzle connected to the output of the electrically non-conducting conduct for concentrating said superheated steam into a pressurized jet usable for cleaning the live equipment; and
- an electrically non-conducting boom supporting the electrically non-conducting conduct for positioning the nozzle near the live equipment to be cleaned.

10

7. An apparatus according to claim 6, wherein the heating means has an operating range between 70 and 125 psig.

8. An apparatus according to claim 6, wherein the electrically non-conducting conduct has flexible and rigid portions, the rigid portion of the electrically non-conducting conduct being at least 2 meters long.

20

9. An apparatus according to claim 8, wherein the rigid portion of the electrically non-conducting conduct is characterized in that it withstands a maximum operating pressure of 150 psig.

10. An apparatus according to claim 8, wherein the rigid portion of the electrically non-conducting conduct is characterized in that said rigid portion withstands an AC phase-to-neutral voltage of 140 kV/meter of rigid portion, at a frequency of 60 Hz, under dry conditions while carrying superheated steam.

11. An apparatus according to claim 8, wherein the rigid portion of the electrically non-conducting conduct allows a maximum conducting current of 2 mA when subjected to an AC phase-to-neutral voltage of 52 kV/meter of rigid portion, under dry conditions while carrying superheated steam.

12. An apparatus according to claim 8, wherein the flexible portion of the electrically non-conducting conduct withstands a maximum operating pressure of 300 psig.

10 13. An apparatus according to claim 8, wherein the flexible portion of the electrically non-conducting conduct has an internal diameter ranging from 3/8 to 1/2 inch.

14. An apparatus according to claim 6, wherein the electrically non-conducting conduct consists only of a flexible portion characterized in that said flexible portion:

- withstands an AC phase-to-neutral voltage of 450 kV/2,7 meters of flexible portion, at a frequency of 60 Hz, under dry conditions;
- withstands an AC phase-to-neutral voltage of 240 kV/2,7 meters of flexible portion, at a frequency of 60 Hz, under wet conditions similar to rain having a conductivity of 15 μ S/cm;
- withstands a switching voltage, 850 kV/2,7 m of flexible portion, under said wet conditions; and
- allows a maximum conducting current of 2 mA when subjected to an AC phase-to-neutral voltage of 240 kV/2,7 meters of flexible portion, under dry conditions while carrying superheated steam.

20

15. An apparatus according to claim 6, wherein said electrically non-conducting boom is characterized in that it:

- is comprised of one or more electrically non-conducting sections;

14

- withstands an AC phase-to-neutral voltage of 450 kV/2,7 meters of electrically non-conducting boom, at a frequency of 60 Hz, under dry conditions;
- withstands an AC phase-to-neutral voltage of 240 kV/2,7 meters of electrically non-conducting boom, at a frequency of 60 Hz, under wet conditions similar to rain having a conductivity of 15 $\mu\text{S}/\text{cm}$; and
- withstands a switching voltage, 850 kV/2,7 meters of electrically non-conducting boom, under said wet conditions.

10

16. An apparatus according to claim 15, wherein the one or more electrically non-conducting sections have a total length ranging from 1 to 15 meters.

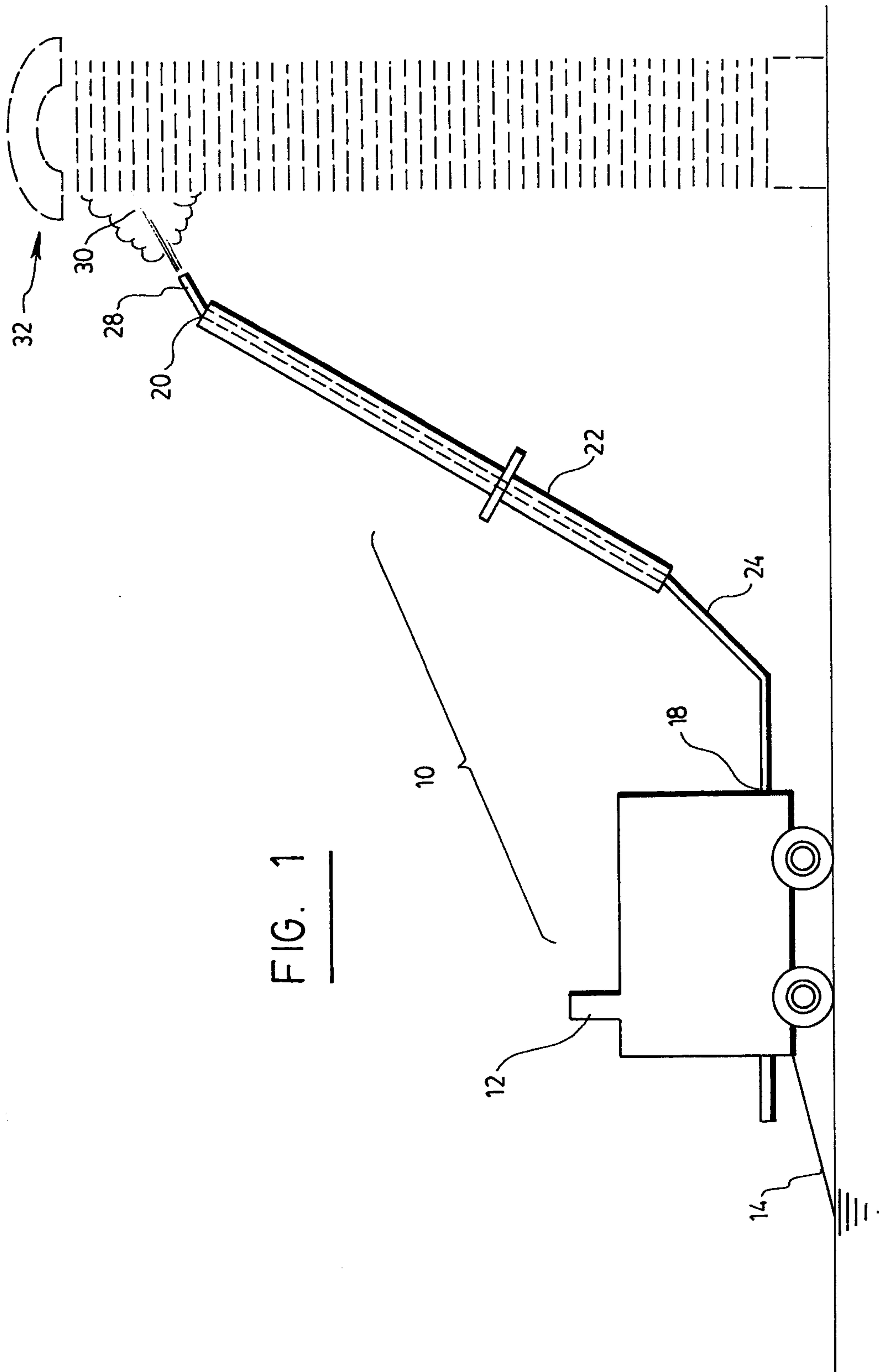


FIG. 1

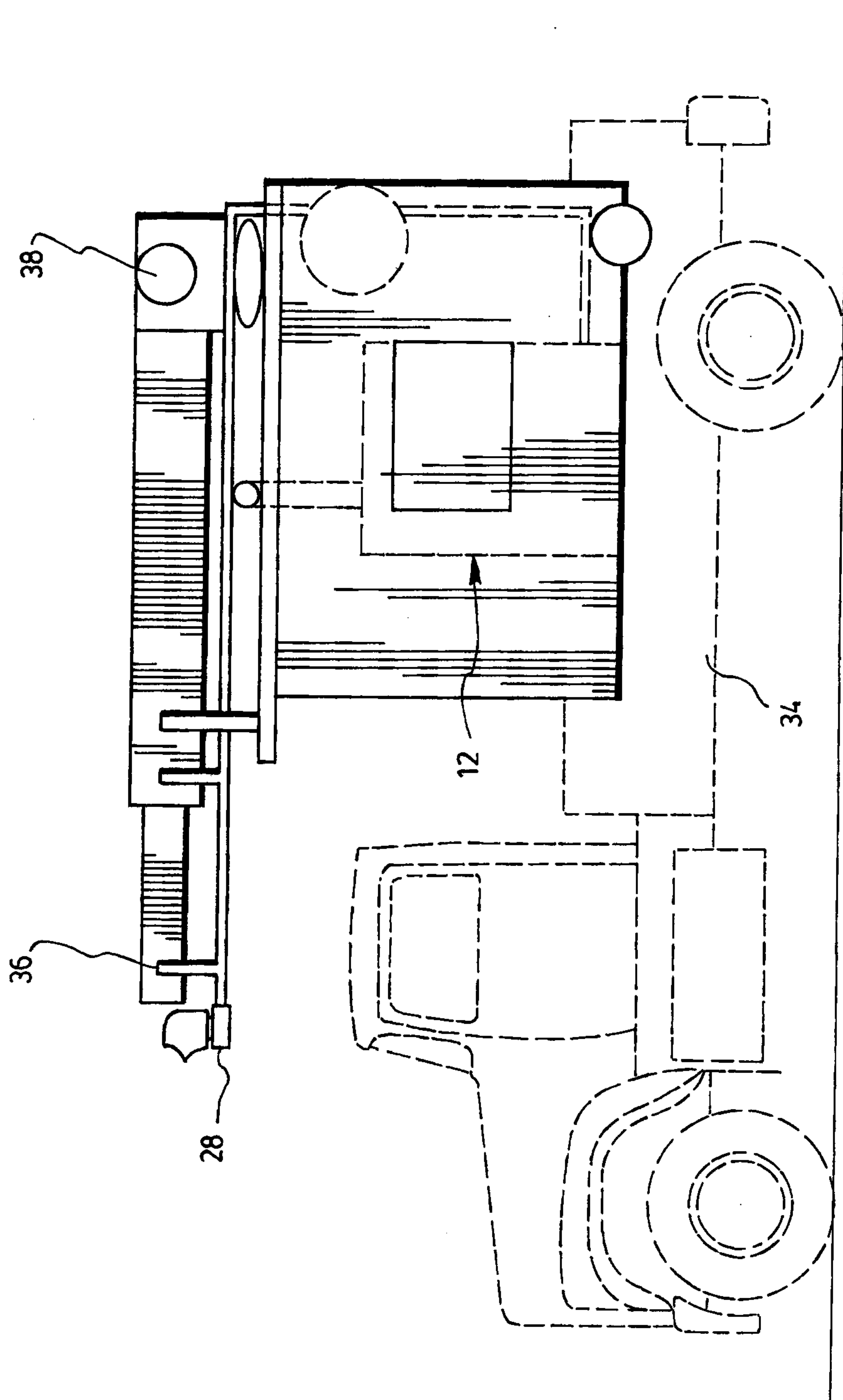


FIG. 2

