



US00D522046S

(12) **United States Design Patent**
Iritani et al.

(10) **Patent No.:** **US D522,046 S**

(45) **Date of Patent:** **** May 30, 2006**

(54) **PRINTER**

(75) Inventors: **Yu Iritani**, Chofu (JP); **Tomonari Asai**,
Aichi-ken (JP); **Yoshitaka Isogai**,
Machida (JP)

(73) Assignee: **Konica Minolta Business
Technologies, Inc.**, Tokyo (JP)

(**) Term: **14 Years**

(21) Appl. No.: **29/211,302**

(22) Filed: **Aug. 13, 2004**

(30) **Foreign Application Priority Data**

Feb. 13, 2004 (JP) 2004-003745

(51) **LOC (8) Cl.** **14-02**

(52) **U.S. Cl.** **D18/55**

(58) **Field of Classification Search** D18/36-39,
D18/50, 54, 54.1, 55; D14/420-425, 462-470;
400/613, 613.1-613.4, 690.1-690.4, 691-694
See application file for complete search history.

(56) **References Cited**

U.S. PATENT DOCUMENTS

D376,814 S * 12/1996 Asai et al. D18/50
D387,085 S * 12/1997 Masujima et al. D18/54
D389,861 S * 1/1998 Kobayashi et al. D18/55

D421,045 S * 2/2000 Quijano D18/55
D438,895 S * 3/2001 Pangburn D18/55
D441,394 S * 5/2001 Kobayashi et al. D18/54
D443,638 S * 6/2001 Kobayashi et al. D18/54
D444,170 S * 6/2001 Ichi et al. D18/54
D444,813 S * 7/2001 Quijano D18/55
D449,851 S * 10/2001 Katou et al. D18/36
D450,756 S * 11/2001 Fetherolf et al. D18/55
D472,243 S * 3/2003 Agata D14/463
D474,501 S * 5/2003 Hayashi D18/55
D477,632 S * 7/2003 Todd D18/55

* cited by examiner

Primary Examiner—Cathy Anne MacCormac

(74) *Attorney, Agent, or Firm*—Buchanan Ingersol PC

(57) **CLAIM**

The ornamental design for a printer, as shown and described.

DESCRIPTION

FIG. 1 is a front elevational view of a printer showing our new design;

FIG. 2 is a rear elevational view thereof;

FIG. 3 is a top plan view thereof;

FIG. 4 is a bottom plan view thereof;

FIG. 5 is a right side elevational view thereof;

FIG. 6 is a left side elevational view thereof;

FIG. 7 is a perspective view thereof; and,

FIG. 8 is a perspective view thereof in an alternate position.

1 Claim, 8 Drawing Sheets

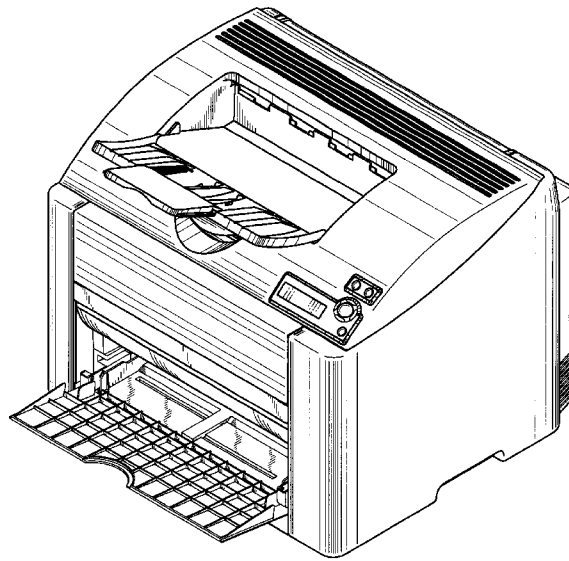
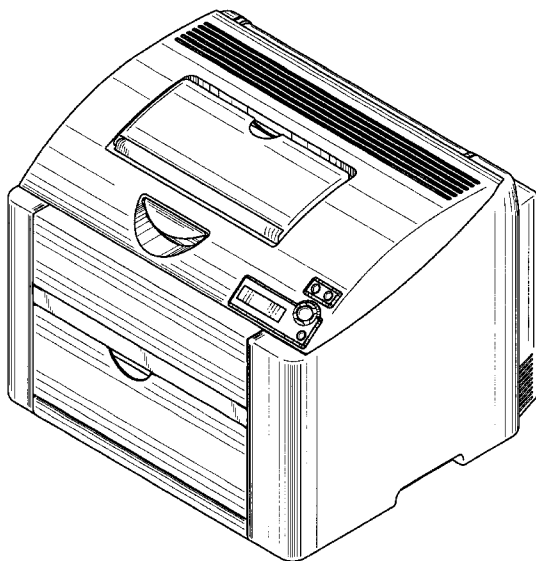


Fig. 1

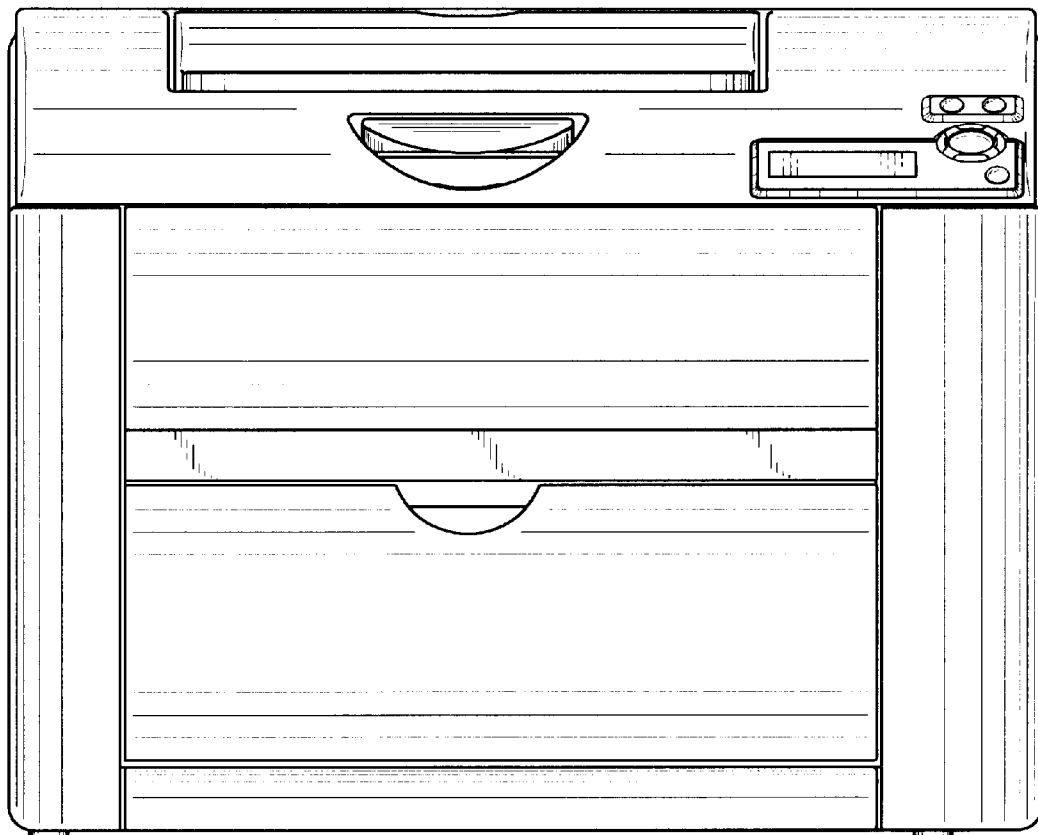


Fig. 2

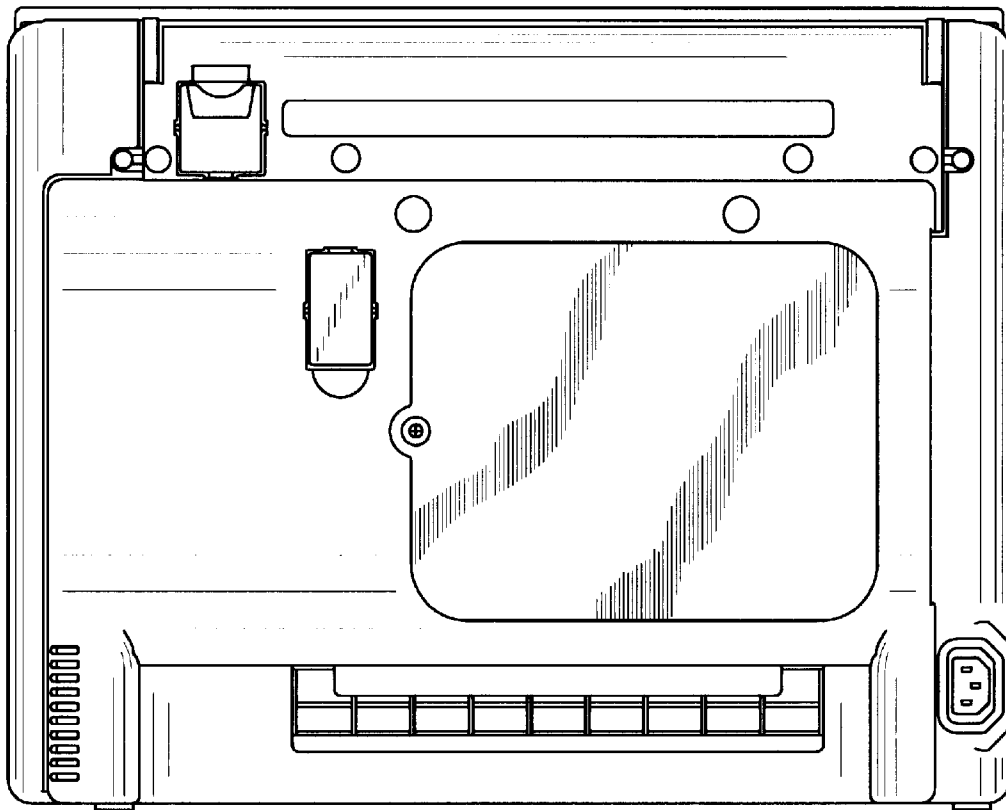


Fig. 3

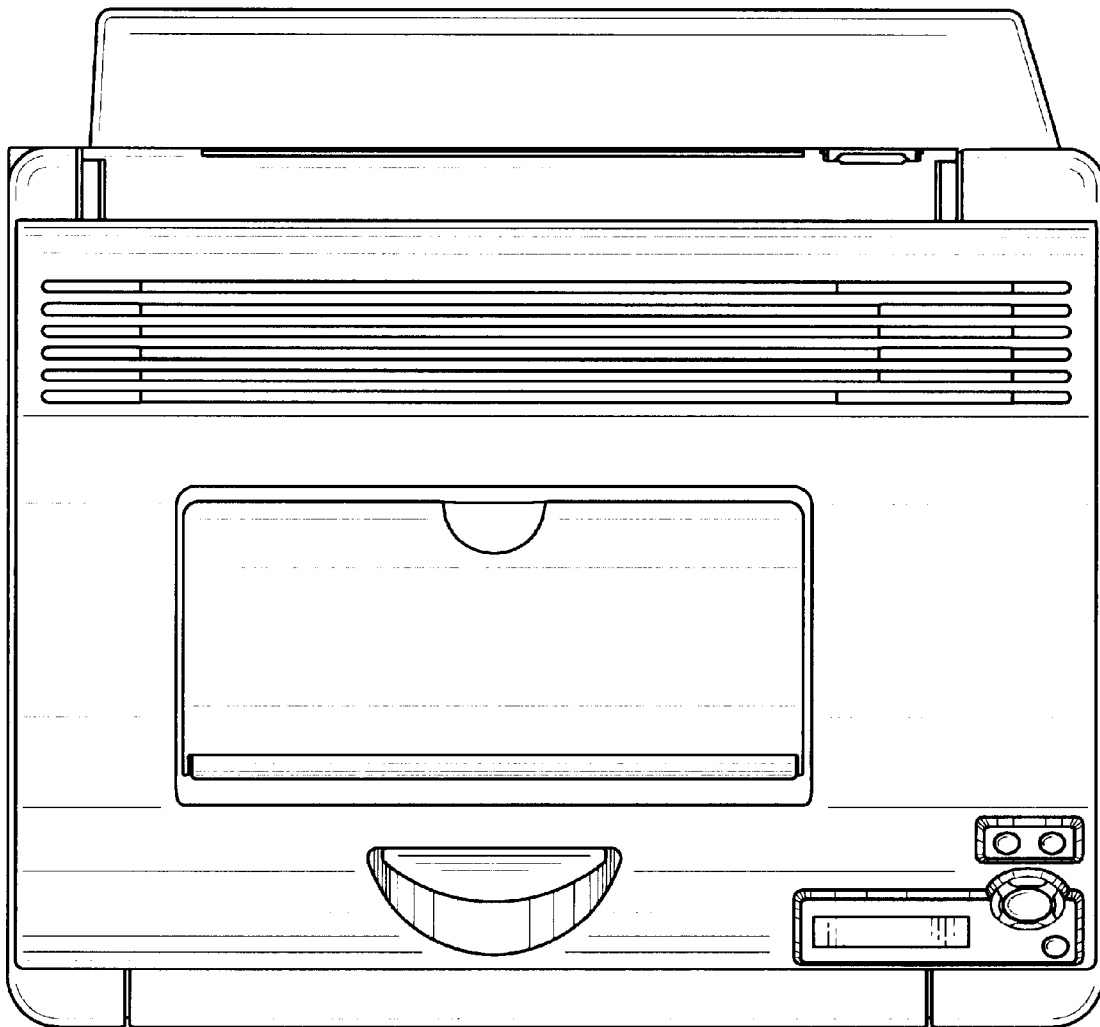


Fig. 4

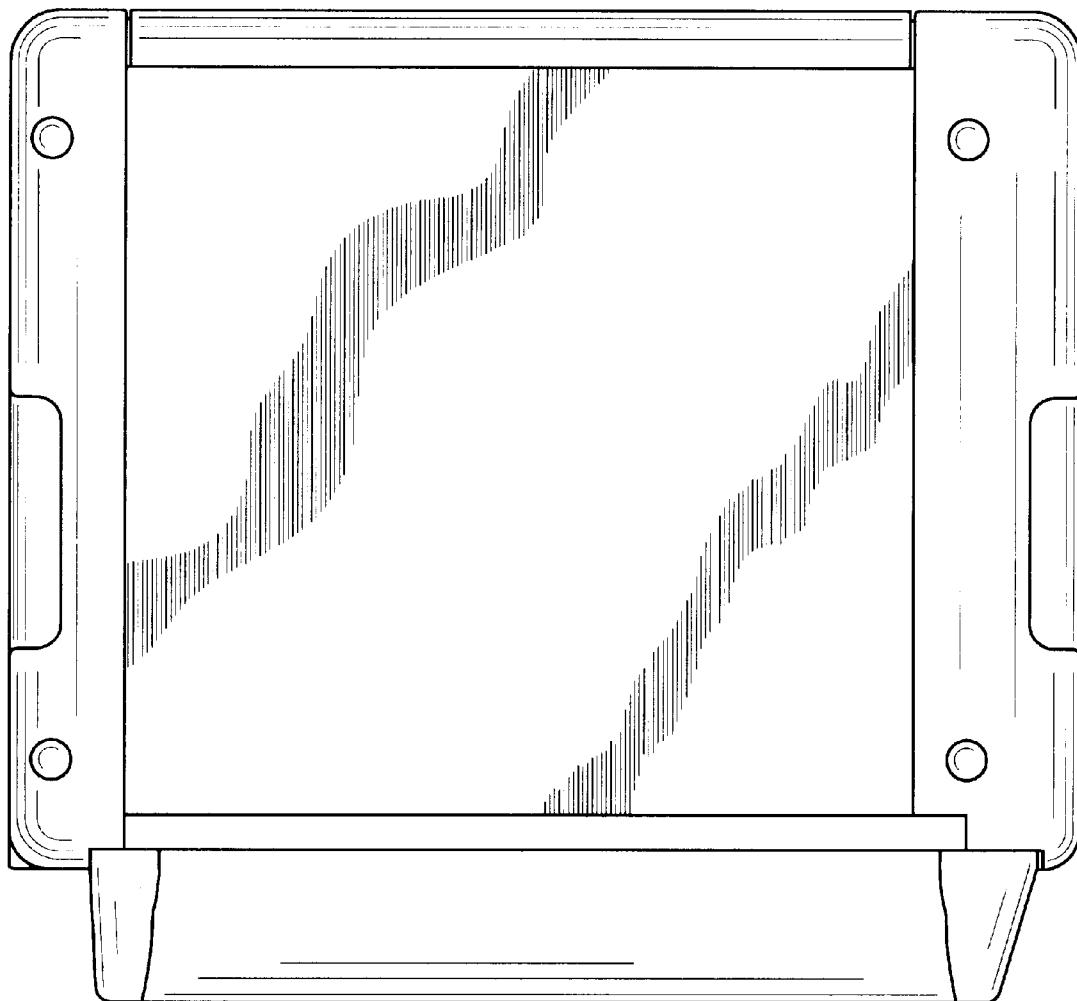


Fig. 5

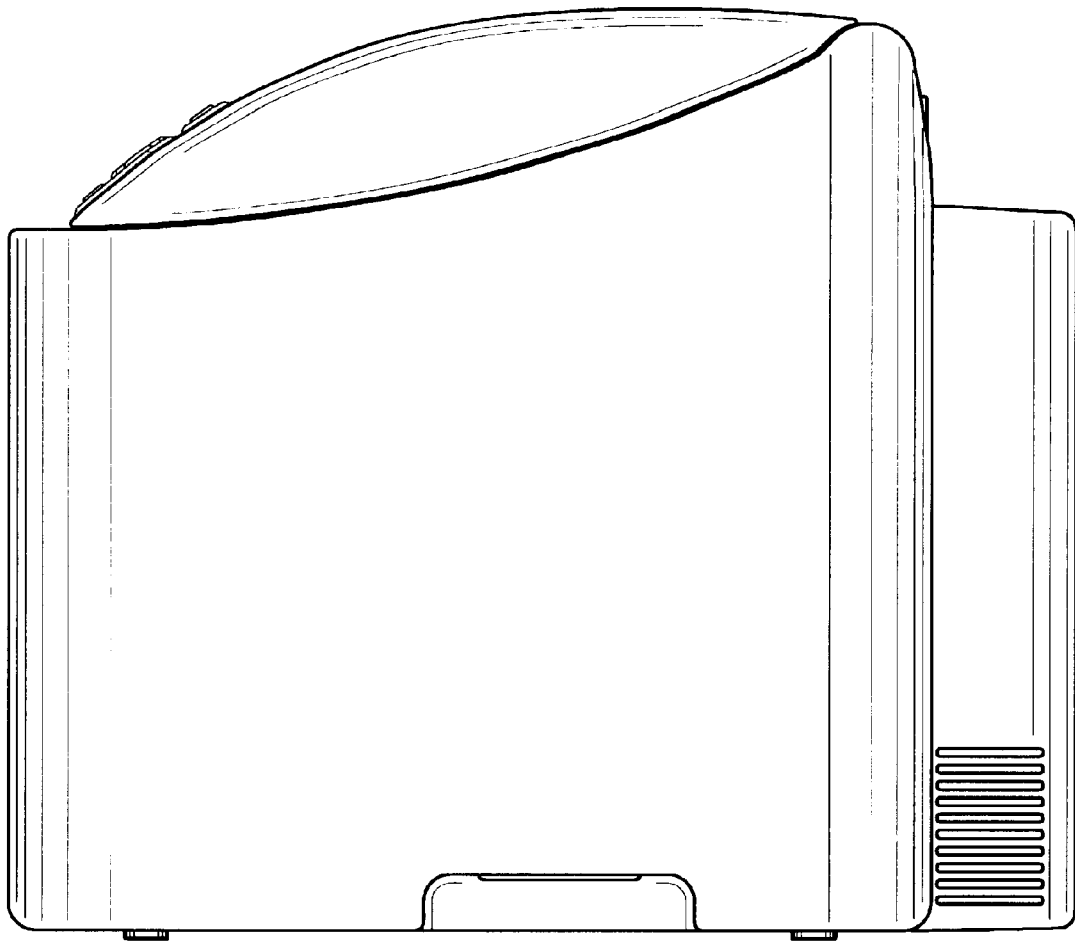


Fig. 6

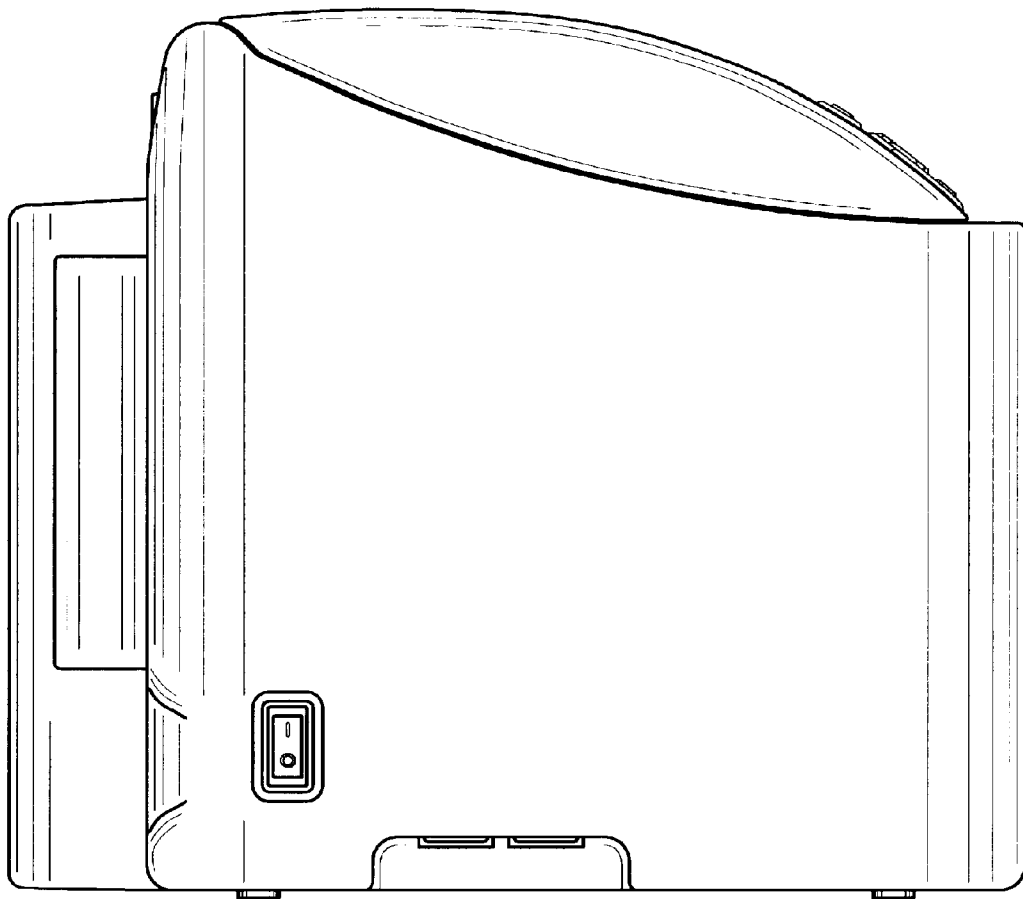


Fig. 7

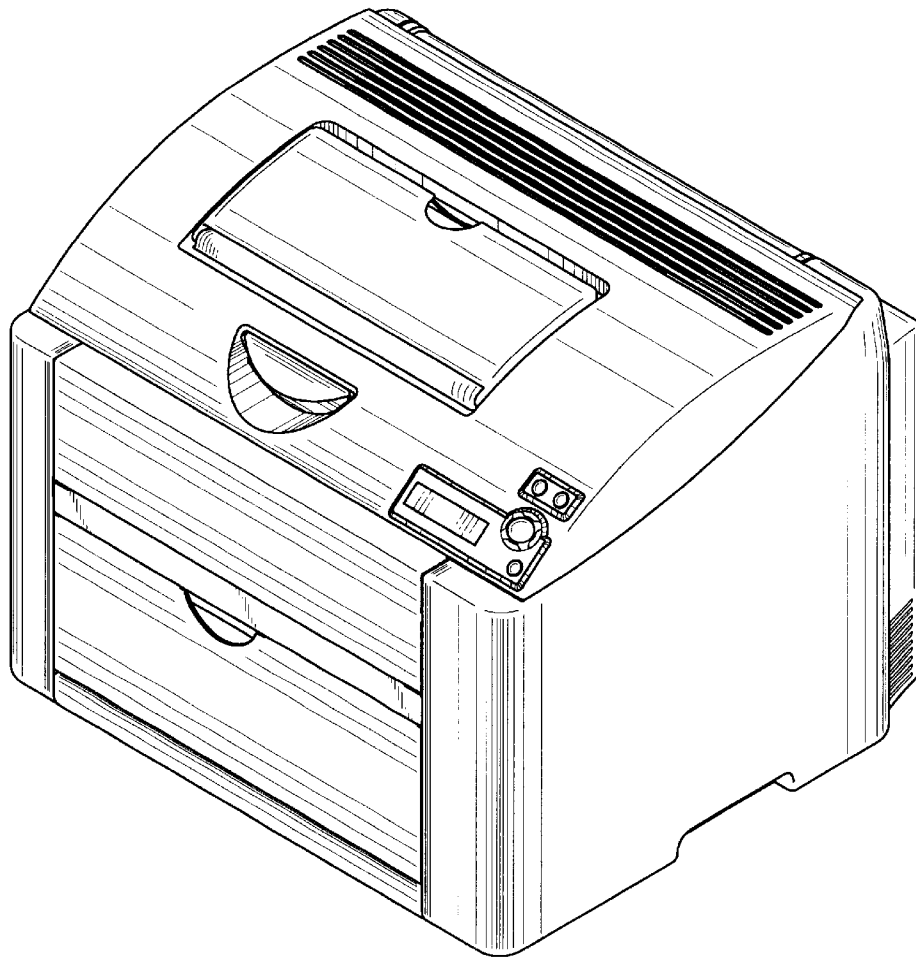


Fig. 8

