



US00D489698S

(12) **United States Design Patent** (10) **Patent No.:** **US D489,698 S**
Kim et al. (45) **Date of Patent:** **** May 11, 2004**

- (54) **PORTABLE TELEPHONE**
- (75) Inventors: **Jun Kim**, Seoul (KR); **Chang-Hwan Hwang**, Seoul (KR); **Hyun-Seop Kim**, Seoul (KR)
- (73) Assignee: **Samsung Electronics Co., Ltd.**, Suwon (KR)
- (**) Term: **14 Years**
- (21) Appl. No.: **29/182,441**
- (22) Filed: **May 27, 2003**

- (30) **Foreign Application Priority Data**
Nov. 29, 2002 (KR) 30-2002-0034235
- (51) **LOC (7) Cl.** **14-03**
- (52) **U.S. Cl.** **D14/138**
- (58) **Field of Search** D14/137, 138, D14/218, 147-148, 247-248, 144, 341-347; 379/433.01-433.13, 419, 434, 428.01-428.04, 420.01-420.04, 440; 455/550.1-90.3; D21/517

- (56) **References Cited**
U.S. PATENT DOCUMENTS
D251,634 S * 4/1979 Sulek et al. D18/7
D264,465 S * 5/1982 MacKenzie D14/147
4,672,685 A * 6/1987 Phillips et al. 455/575.7
D291,804 S * 9/1987 George D14/138
D292,211 S * 10/1987 Imazeki D14/137
D298,243 S * 10/1988 Watanabe D14/138
D298,244 S * 10/1988 Watanabe D14/138
D325,574 S * 4/1992 Carver D14/426
D334,014 S * 3/1993 Jambhekar et al. D14/138
D336,472 S * 6/1993 Lin D14/138
D340,927 S * 11/1993 Goatman D14/137
D342,067 S * 12/1993 Kawamura et al. D14/138
D343,835 S * 2/1994 Nagele et al. D14/138
D347,005 S * 5/1994 Suzuki D14/138
D355,904 S * 2/1995 Swartz et al. D14/116
5,461,672 A * 10/1995 Enokido et al. 379/433.02
D376,142 S * 12/1996 Matsumoto D14/138

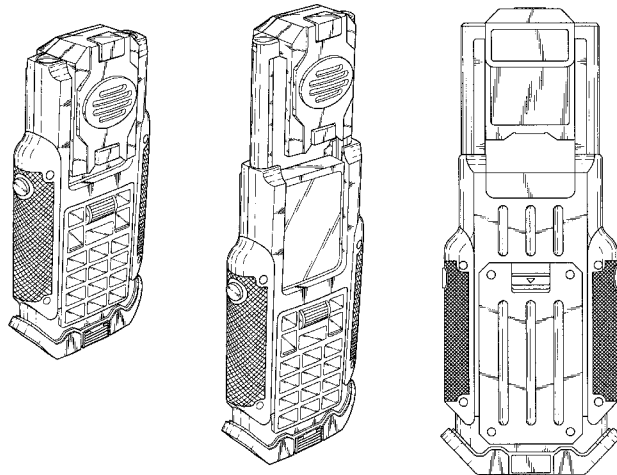
- D377,934 S * 2/1997 Vondrak et al. D14/138
- D381,020 S * 7/1997 Harden et al. D14/138
- D385,557 S * 10/1997 Tomoike et al. D14/147
- D386,493 S * 11/1997 Mahan D14/138
- D390,554 S * 2/1998 Larson et al. D14/137
- D393,638 S * 4/1998 Page et al. D14/137
- D411,536 S * 6/1999 Page et al. D14/137
- D419,546 S * 1/2000 Krantz et al. D14/116
- D430,128 S * 8/2000 Hino et al. D14/138
- D434,744 S * 12/2000 Lai D14/138
- D439,572 S * 3/2001 Kang D14/138
- 6,408,072 B1 * 6/2002 Fernandez-Martinez . 379/433.1
- D482,009 S * 11/2003 Robertson, Jr. et al. ... D14/137
- 2002/0006813 A1 * 1/2002 Lubowicki et al. 455/566
- 2003/0171133 A1 * 9/2003 Mizuta et al. 455/566 X

* cited by examiner
Primary Examiner—Jeffrey Asch
(74) Attorney, Agent, or Firm—Flynn, Thiel, Boutell & Tanis, P.C.

(57) **CLAIM**
The ornamental design for a portable telephone, as shown and described.

DESCRIPTION
FIG. 1. is a top front perspective view of a portable telephone showing our new design.
FIG. 2. is a front elevational view thereof.
FIG. 3. is a rear elevational view thereof.
FIG. 4. is a left side elevational view thereof. (a right side view is symmetrical to the left side elevational view.)
FIG. 5. is a top plan view thereof.
FIG. 6. is a bottom plan view thereof.
FIG. 7. is a front elevational view of using state thereof.
FIG. 8. is a front elevational view of using state thereof.
FIG. 9. is a rear elevational view of using state thereof.
FIG. 10. is a left side elevational view of using state thereof. (a right side view is symmetrical to the left side elevational view.)
FIG. 11. is a top plan view of using state thereof; and,
FIG. 12. is a bottom plan view of using state thereof.

1 Claim, 8 Drawing Sheets



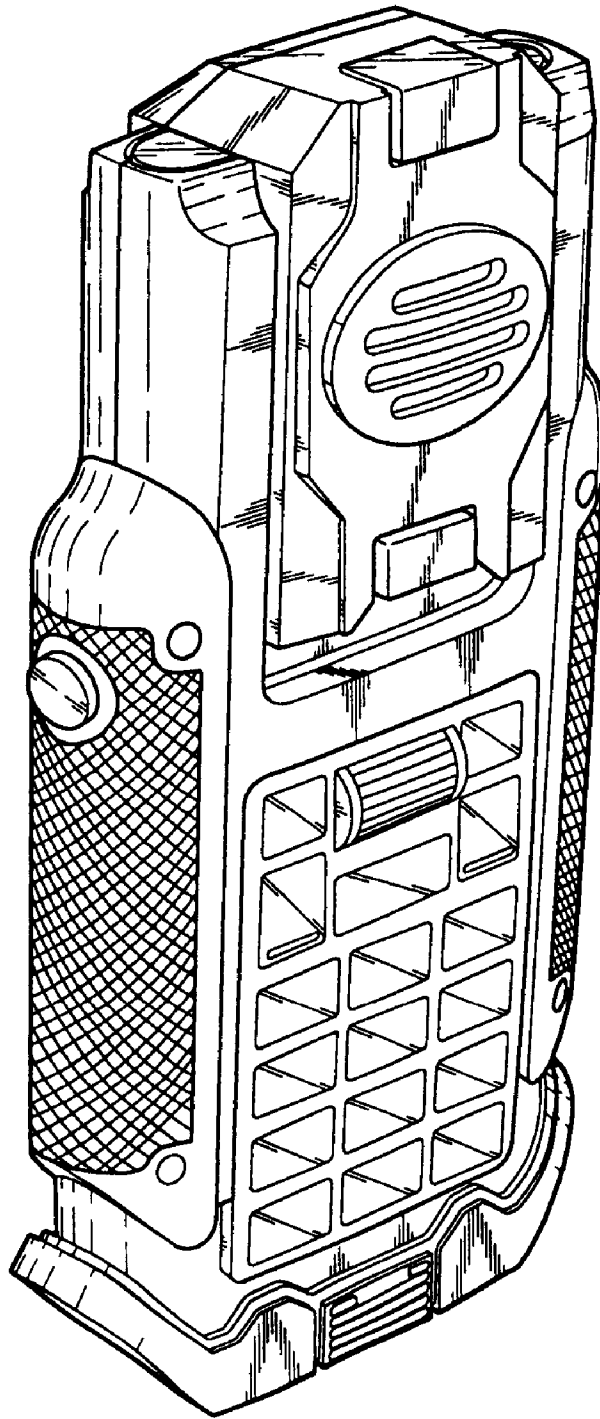


FIG. 1

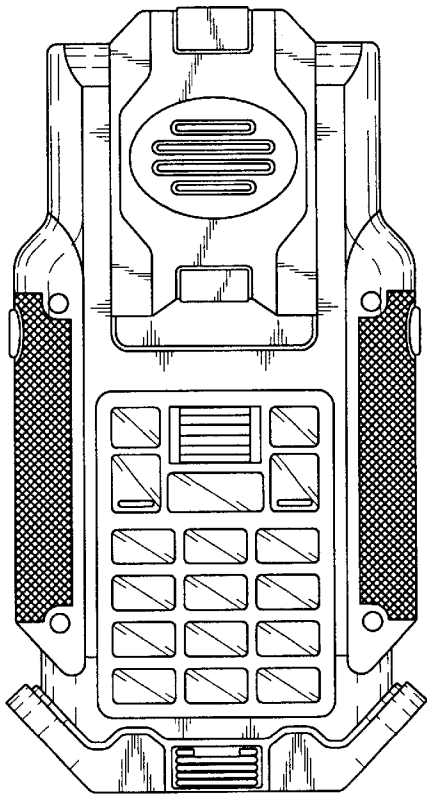


FIG. 2

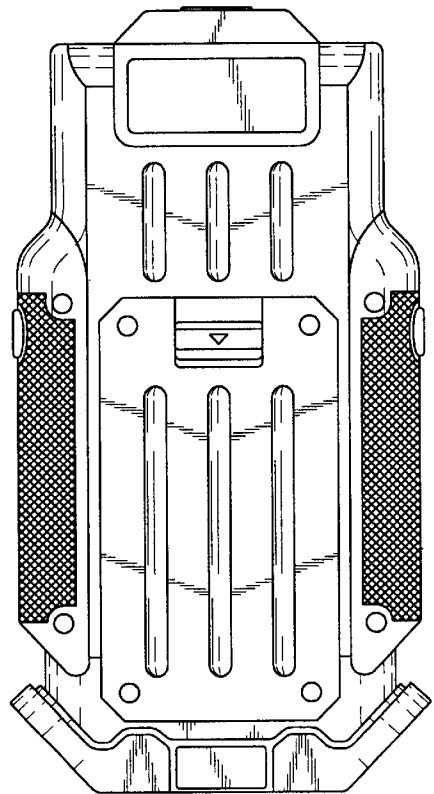


FIG. 3

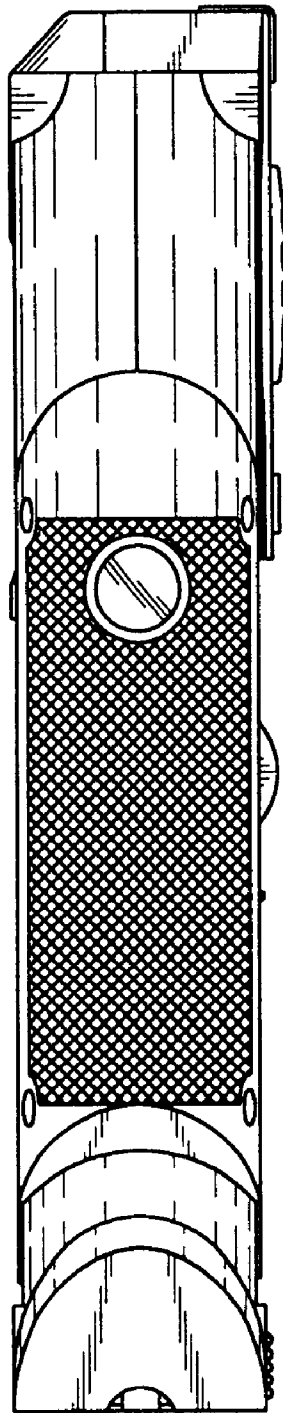


FIG. 4

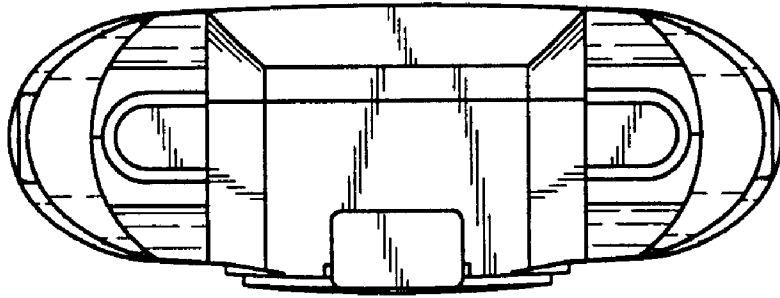


FIG. 5

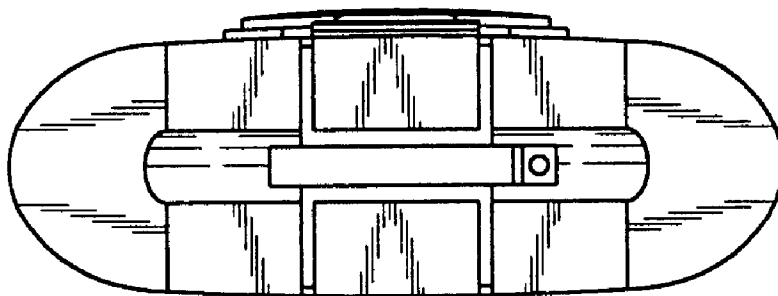


FIG. 6

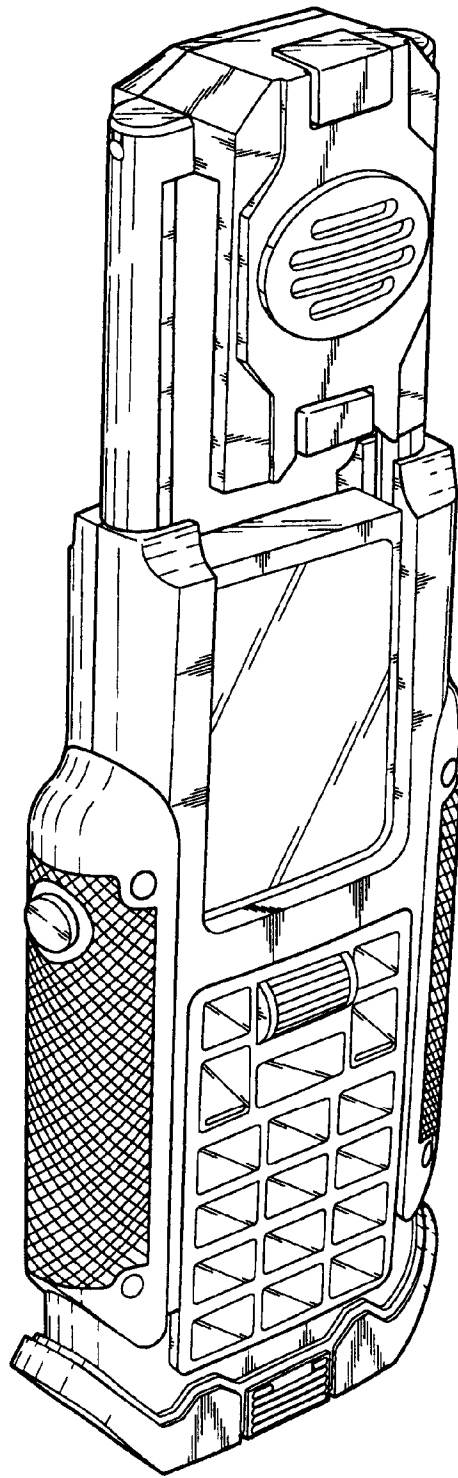


FIG. 7

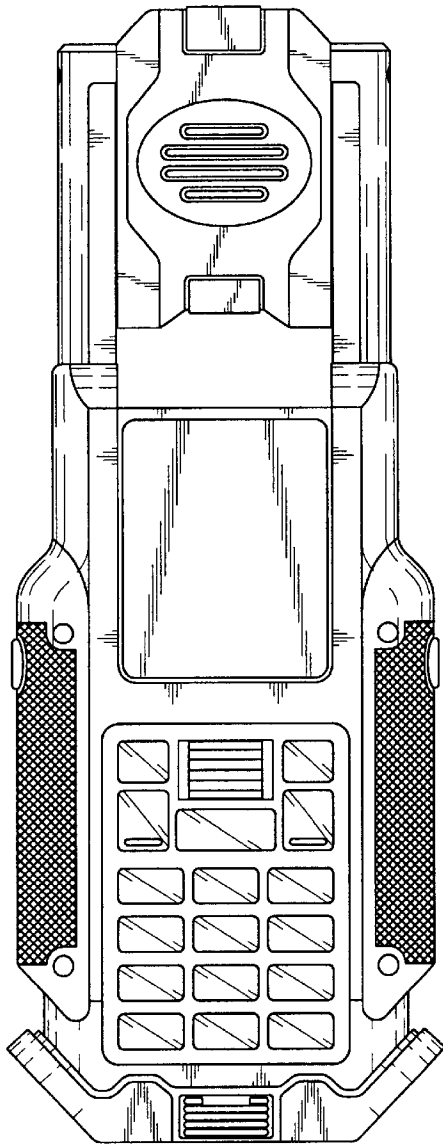


FIG. 8

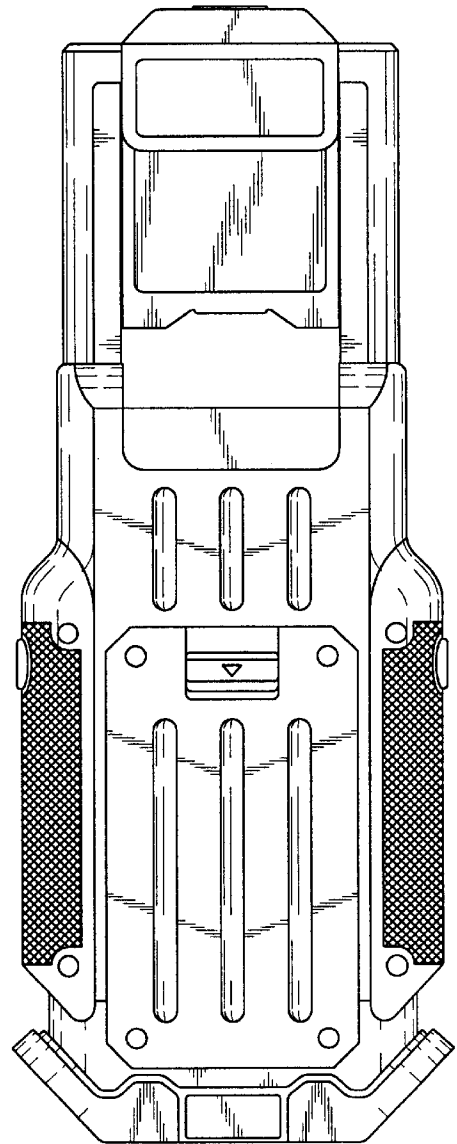


FIG. 9

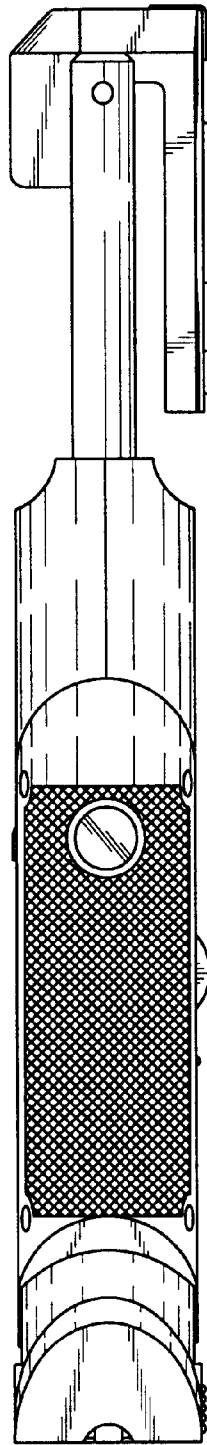


FIG. 10

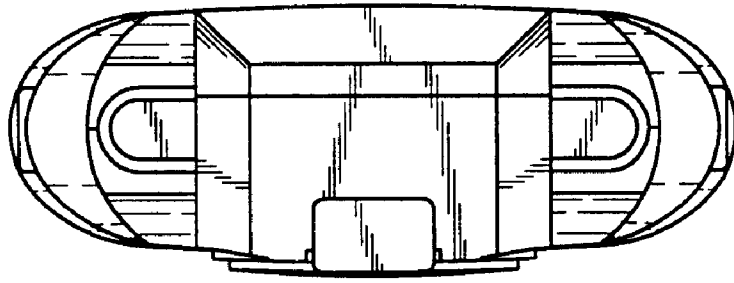


FIG. 11

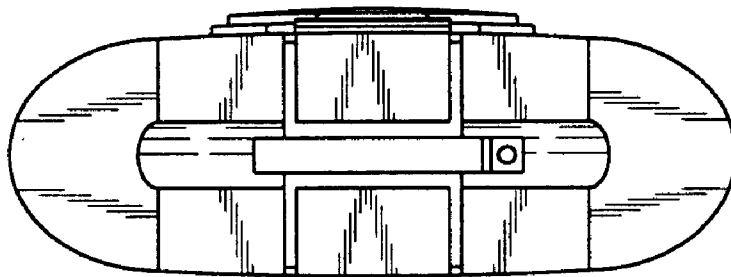


FIG. 12