



US00D349879S

**United States Patent** [19]  
**Jaramillo, Sr.**

[11] **Patent Number: Des. 349,879**

[45] **Date of Patent: \*\* Aug. 23, 1994**

[54] **JET SKI HANDLE**

[76] **Inventor: Alfonso Jaramillo, Sr., 20205 Lounsbury Dr., Lake Matthews, Calif. 92570**

[\*\*] **Term: 14 Years**

[21] **Appl. No.: 8,075**

[22] **Filed: May 7, 1993**

[52] **U.S. Cl. .... D12/317; D12/307; 114/362**

[58] **Field of Search ..... 114/270, 362; D8/303, D8/316; D12/317, 318, 307; D21/230**

[56] **References Cited**

**U.S. PATENT DOCUMENTS**

4,688,508 8/1987 Nishida ..... 114/362  
5,152,244 10/1992 Jaramillo, Jr. et al. .... 114/362

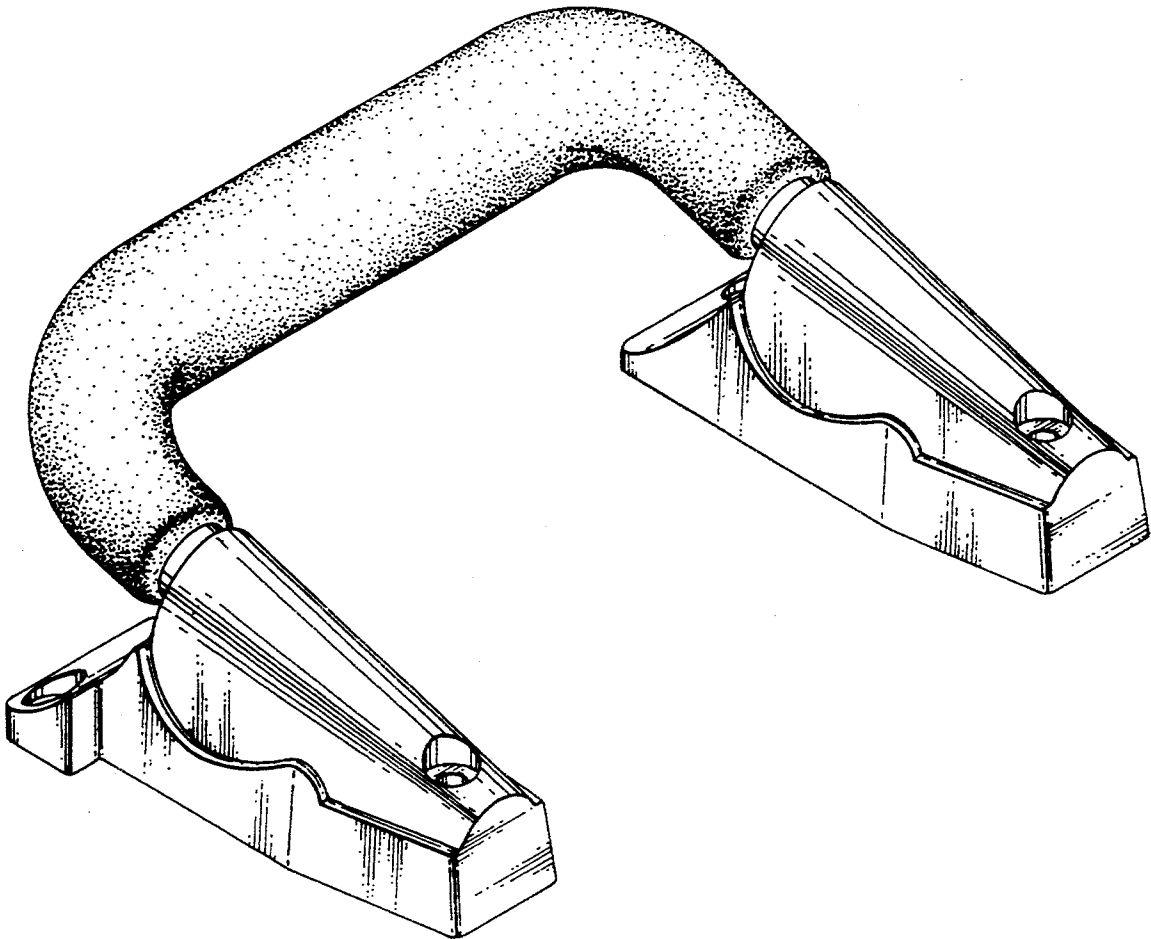
*Primary Examiner*—Kay H. Chin  
*Attorney, Agent, or Firm*—Christie, Parker & Hale

[57] **CLAIM**

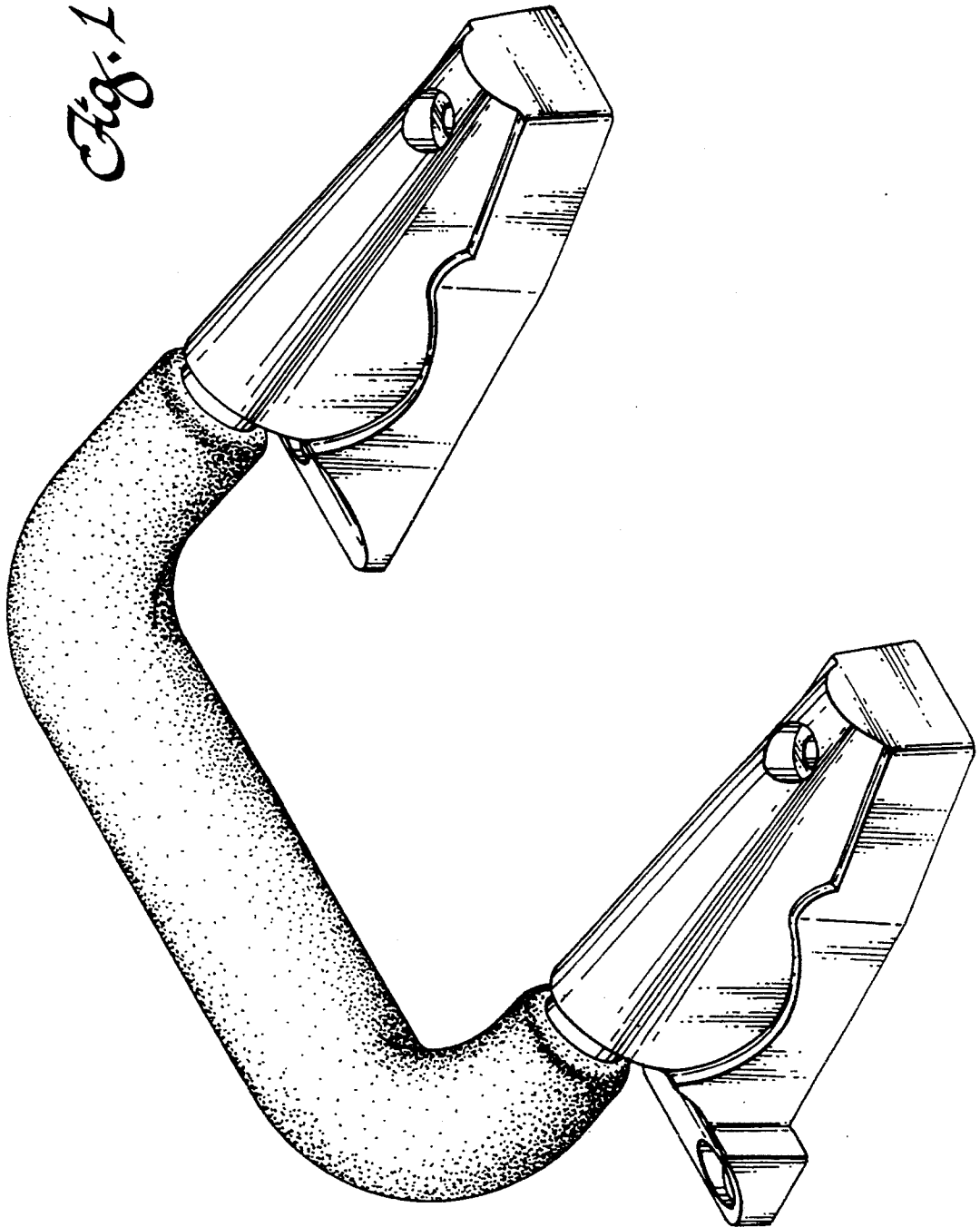
The ornamental design for a jet ski handle, as shown and described.

**DESCRIPTION**

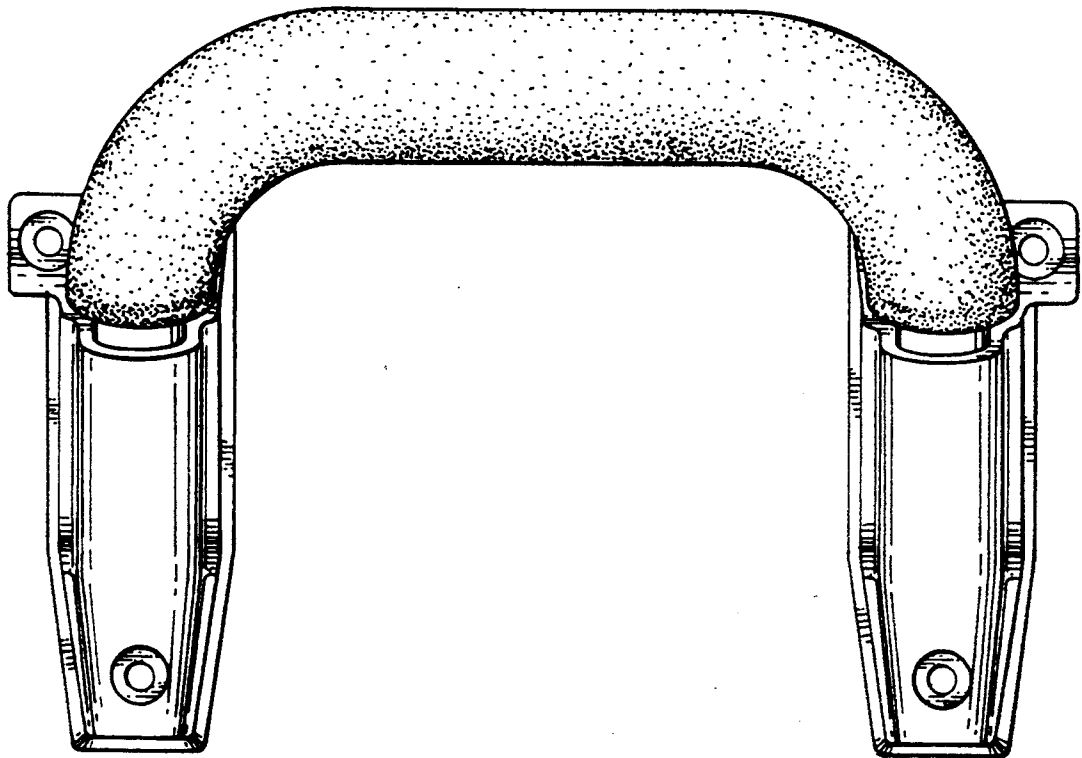
FIG. 1 is a top perspective view of a jet ski handle according to the invention;  
FIG. 2 is a top view thereof;  
FIG. 3 is a rear view thereof;  
FIG. 4 is a right side view thereof, the left side view thereof being identical;  
FIG. 5 is a front elevational view thereof; and,  
FIG. 6 is a bottom view thereof.



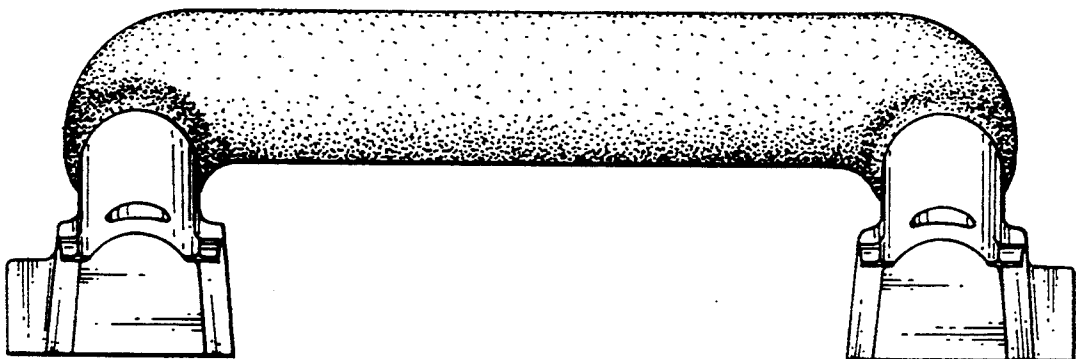
*Fig. 1*



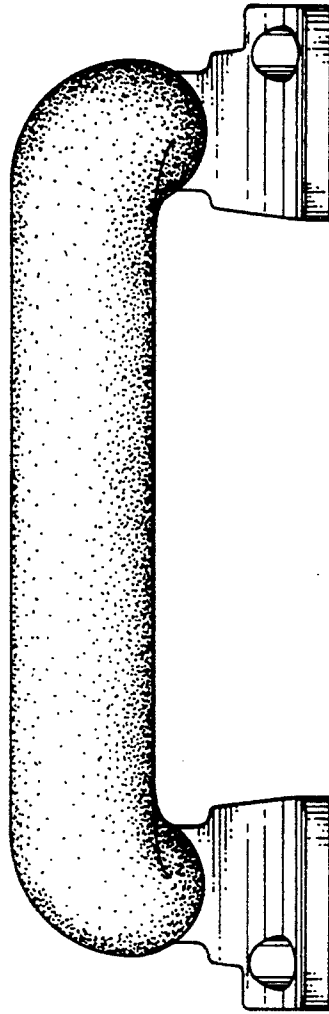
*Fig. 2*



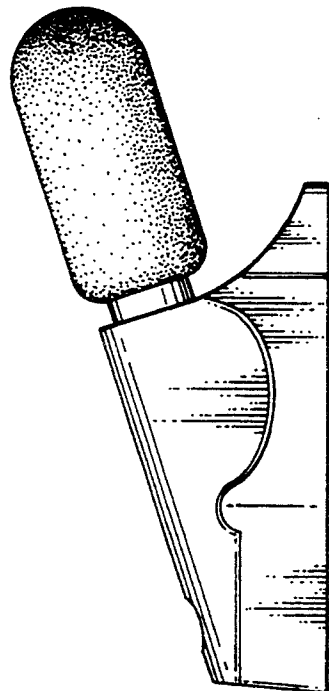
*Fig. 3*



*Fig. 5*



*Fig. 4*



*Fig. 6*

