

(19) World Intellectual Property
Organization
International Bureau



(43) International Publication Date
12 September 2003 (12.09.2003)

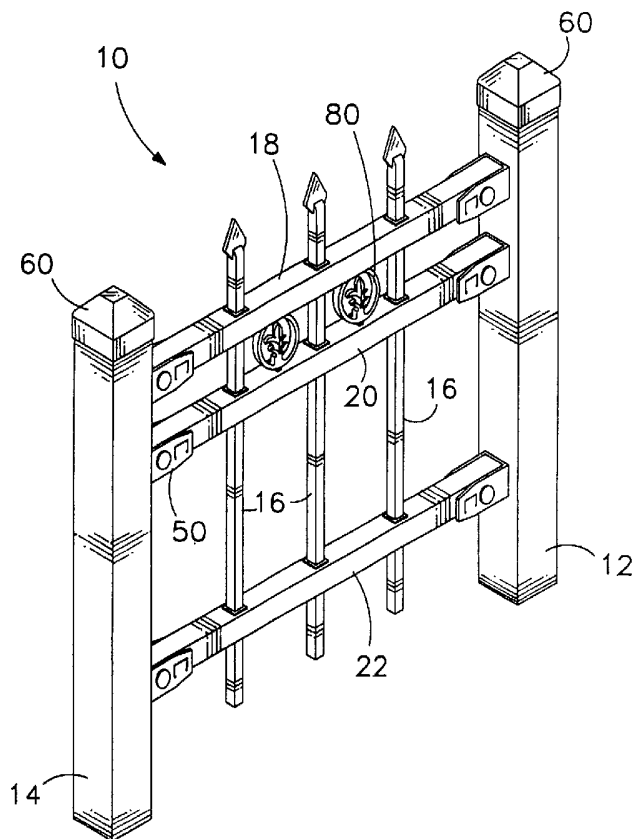
PCT

(10) International Publication Number
WO 2003/074820 A3

- (51) International Patent Classification⁷: E04H 17/20
- (21) International Application Number: PCT/US2003/006105
- (22) International Filing Date: 27 February 2003 (27.02.2003)
- (25) Filing Language: English
- (26) Publication Language: English
- (30) Priority Data:
10/087,258 1 March 2002 (01.03.2002) US
- (71) Applicant: XCEL DISTRIBUTION, INC. [US/US];
1931 Yeager Avenue, LaVerne, CA 91750 (US).
- (72) Inventor: ZHU, Alan, Qing; 8057 Indigo Ct., Alta Loma,
CA 91701 (US).
- (74) Agents: ROZSA, Thomas, I. et al.; Rozsa & Chen LLP,
15910 Ventura Blvd., Suite 1601, Encino, CA 91436-2815
(US).
- (81) Designated States (*national*): AE, AL, AM, AT, AU, AZ,
BA, BB, BG, BR, BY, CA, CH, CN, CU, CZ, DE, DK, EE,
ES, FI, GB, GD, GE, GH, GM, HR, HU, ID, IL, IN, IS, JP,
KE, KG, KP, KR, KZ, LC, LK, LR, LS, LT, LU, LV, MD,
MG, MK, MN, MW, MX, NO, NZ, PL, PT, RO, RU, SD,
SE, SG, SK, SL, TJ, TM, TR, TT, UA, UG, UZ, VN, YU,
ZA, ZW.
- (84) Designated States (*regional*): ARIPO patent (GH, GM,
KE, LS, MW, MZ, SD, SL, SZ, TZ, UG, ZM, ZW),
Eurasian patent (AM, AZ, BY, KG, KZ, MD, RU, TJ, TM),
European patent (AT, BE, BG, CH, CY, CZ, DE, DK, EE,
ES, FI, FR, GB, GR, HU, IE, IT, LU, MC, NL, PT, SE, SI,
SK, TR), OAPI patent (BF, BJ, CF, CG, CI, CM, GA, GN,
GQ, GW, ML, MR, NE, SN, TD, TG).
- Published:
— with international search report
- (88) Date of publication of the international search report:
8 July 2004

[Continued on next page]

(54) Title: MODULAR FENCE



(57) Abstract: A modular fence assembly including a pair of vertical posts (12, 14) positioned at suitable distance and adapted to be secured to a suitable support surface. At least one horizontal upper and lower rail (18, 20, 22) extends between and is secured to the vertical posts. The horizontal upper rail has vertical apertures which are substantially aligned with vertical apertures on the horizontal lower rail. Pickets (16) are respectively inserted through the vertical apertures of the upper rail and through aligned vertical apertures of the lower rail. Each picket has at least two transverse locking slotted apertures for respectively receiving an H-shaped locking clip (44) to secure the picket to the rail and prevent vertical movement of the pickets with respect to the rails.

WO 2003/074820 A3



For two-letter codes and other abbreviations, refer to the "Guidance Notes on Codes and Abbreviations" appearing at the beginning of each regular issue of the PCT Gazette.

INTERNATIONAL SEARCH REPORT

International application No.

PCT/US03/06105

A. CLASSIFICATION OF SUBJECT MATTER		
IPC(7) : E04H 17/20		
US CL : 256/22, 59, 65.01, 65.03, 65.04, 65.11, 65.12		
According to International Patent Classification (IPC) or to both national classification and IPC		
B. FIELDS SEARCHED		
Minimum documentation searched (classification system followed by classification symbols) U.S. : 256/22, 59, 65.01, 65.03, 65.04, 65.11, 65.12		
Documentation searched other than minimum documentation to the extent that such documents are included in the fields searched		
Electronic data base consulted during the international search (name of data base and, where practicable, search terms used)		
C. DOCUMENTS CONSIDERED TO BE RELEVANT		
Category *	Citation of document, with indication, where appropriate, of the relevant passages	Relevant to claim No.
X --- Y	US 3067985 (Cusack) December 1962, figures 1-6	1, 6, 7, 10, 12, 15, 17, 18, 21, 23 ----- 2-5, 8, 9, 11, 13, 14, 16, 19, 20, 22
Y	US 164080 (Mapson) March 1928, page 2, lines 5-10	2, 8, 9, 13, 14, 19, 20
Y	US 5443244 (Gibbs) August 1995, column 4, lines 33-36	3-5, 9, 11, 14, 16, 20, 22
<input type="checkbox"/> Further documents are listed in the continuation of Box C. <input type="checkbox"/> See patent family annex.		
* Special categories of cited documents:		
"A" document defining the general state of the art which is not considered to be of particular relevance	"T"	later document published after the international filing date or priority date and not in conflict with the application but cited to understand the principle or theory underlying the invention
"E" earlier application or patent published on or after the international filing date	"X"	document of particular relevance; the claimed invention cannot be considered novel or cannot be considered to involve an inventive step when the document is taken alone
"L" document which may throw doubts on priority claim(s) or which is cited to establish the publication date of another citation or other special reason (as specified)	"Y"	document of particular relevance; the claimed invention cannot be considered to involve an inventive step when the document is combined with one or more other such documents, such combination being obvious to a person skilled in the art
"O" document referring to an oral disclosure, use, exhibition or other means	"&"	document member of the same patent family
"P" document published prior to the international filing date but later than the priority date claimed		
Date of the actual completion of the international search	Date of mailing of the international search report	
03 June 2003 (03.06.2003)	18 MAR 2004	
Name and mailing address of the ISA/US Mail Stop PCT, Attn: ISA/US Commissioner for Patents P.O. Box 1450 Alexandria, Virginia 22313-1450 Facsimile No. (703)305-3230	Authorized officer: <i>Donne Browne</i> Telephone No. (703) 308-1113	

INTERNATIONAL SEARCH REPORT

PCT/US03/06105

Continuation of Item 4 of the first sheet:

DEFICIENCY:

The title indicates that the applicant's invention is a method. However, there are no claims directed to such an invention.

NEW TITLE:

MODULAR FENCE