



US00D601391S

(12) **United States Design Patent**
Chiang

(10) **Patent No.:** **US D601,391 S**

(45) **Date of Patent:** **** Oct. 6, 2009**

(54) **JUICER**

(75) Inventor: **Tung-Han Chiang**, Taichung Hsien (TW)

(73) Assignee: **Crocean Industry Co., Ltd.**, Taichung Hsien (TW)

(**) Term: **14 Years**

(21) Appl. No.: **29/330,089**

(22) Filed: **Dec. 29, 2008**

(51) **LOC (9) Cl.** **31-00**

(52) **U.S. Cl.** **D7/665**

(58) **Field of Classification Search** D7/665-668,
D7/373, 374, 381, 384; 99/501-513, 499,
99/357, 495, 348; 241/36, 37.5, 92, 261,
241/260.1, 282.1

See application file for complete search history.

(56) **References Cited**

U.S. PATENT DOCUMENTS

2,767,644	A	*	10/1956	Bireley	100/97
D236,283	S	*	8/1975	McCue	D7/372
5,381,730	A	*	1/1995	Kim	99/510
D362,597	S	*	9/1995	Kim	D7/665
D376,736	S	*	12/1996	Kim	D7/665

5,906,154	A	*	5/1999	Yoon et al.	99/510
D526,539	S	*	8/2006	Yip et al.	D7/665
D555,434	S	*	11/2007	Cohen et al.	D7/665

* cited by examiner

Primary Examiner—Terry A Wallace

(74) *Attorney, Agent, or Firm*—Rabin & Berdo, P.C.

(57) **CLAIM**

The ornamental design for a juicer, as shown and described.

DESCRIPTION

FIG. 1 is a perspective view of a juicer, showing my new design;

FIG. 2 is a front view thereof;

FIG. 3 is a rear view thereof;

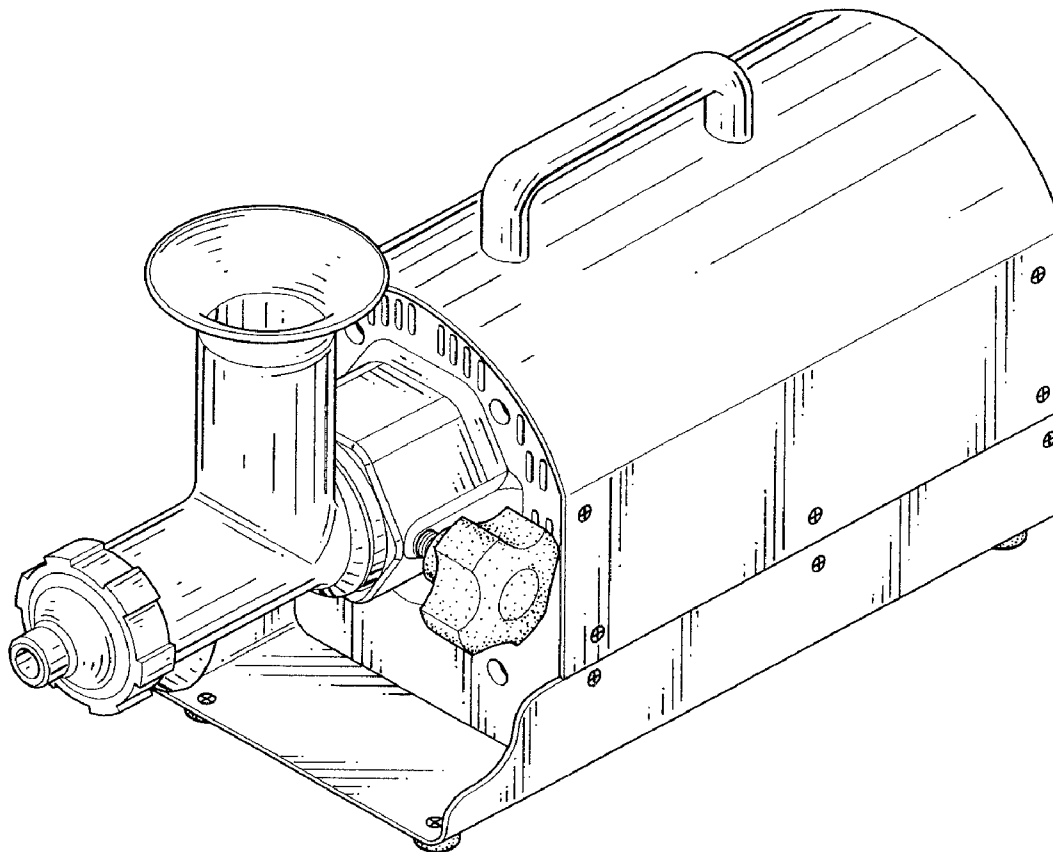
FIG. 4 is a left side view thereof;

FIG. 5 is a right side view thereof;

FIG. 6 is a top view thereof, wherein the broken lines are shown for illustrative purposes only and form no part of the claimed design; and,

FIG. 7 is a bottom view thereof, wherein the broken lines are shown for illustrative purposes only and form no part of the claimed design.

1 Claim, 6 Drawing Sheets



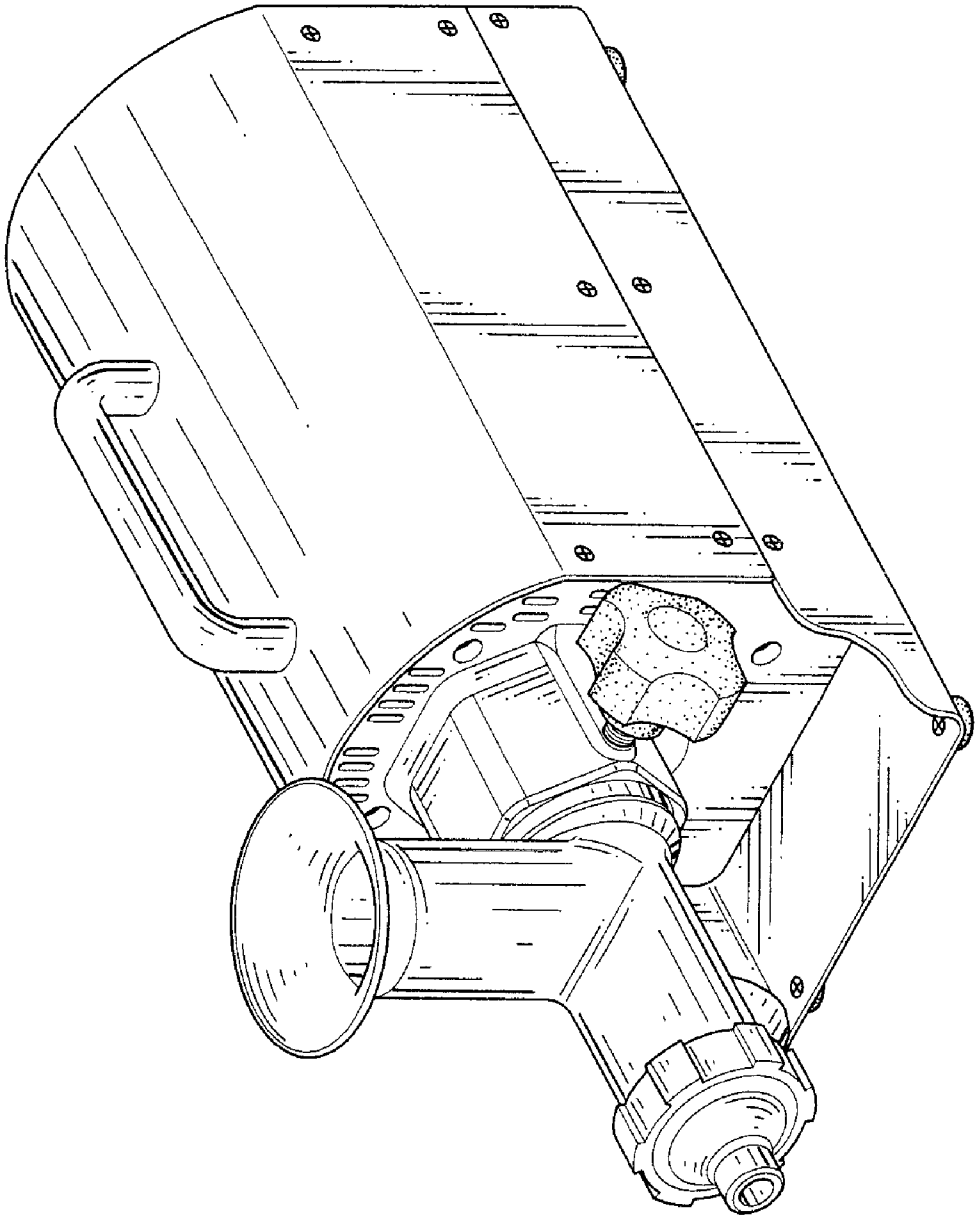


FIG.1

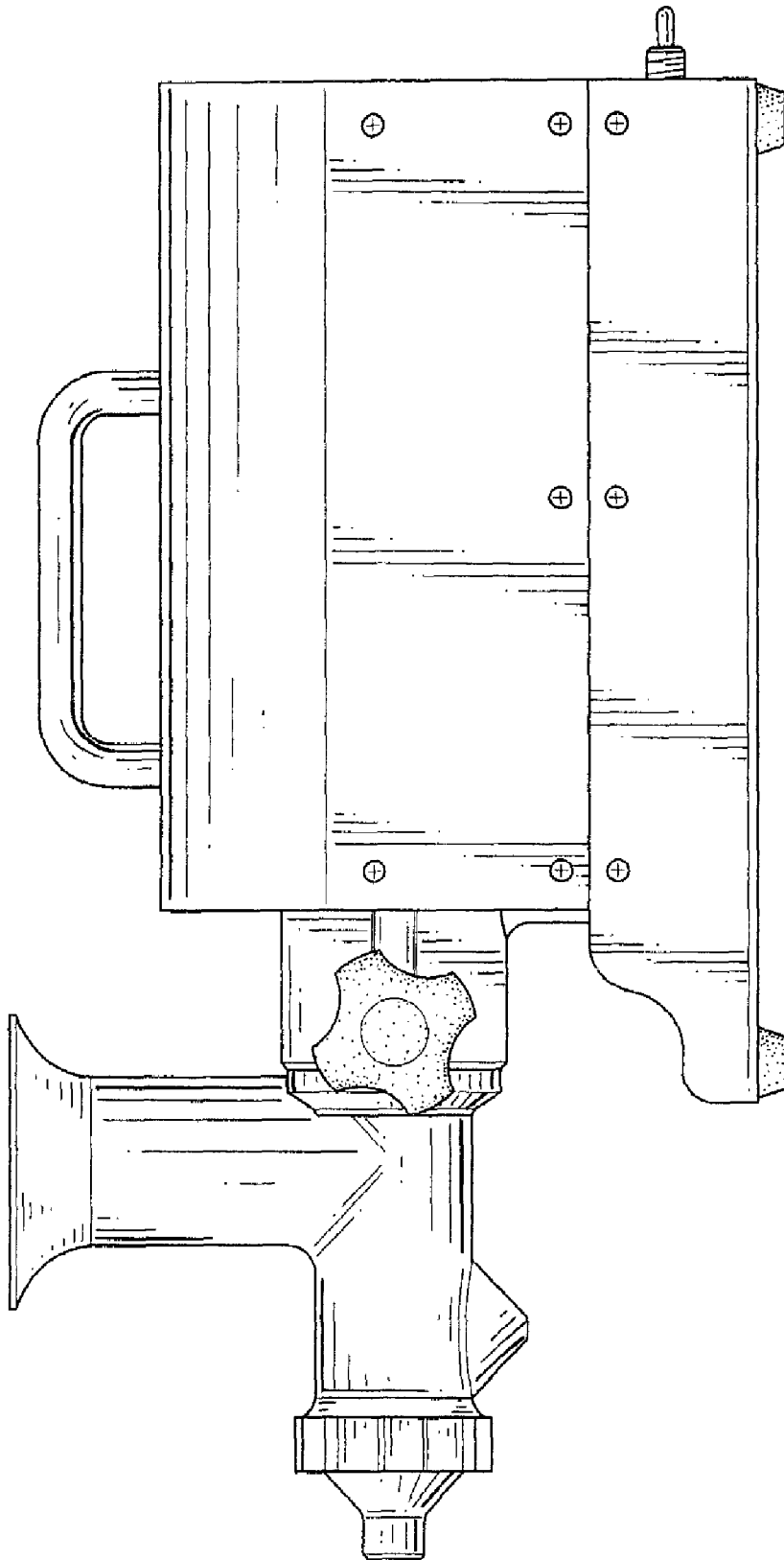


FIG.2

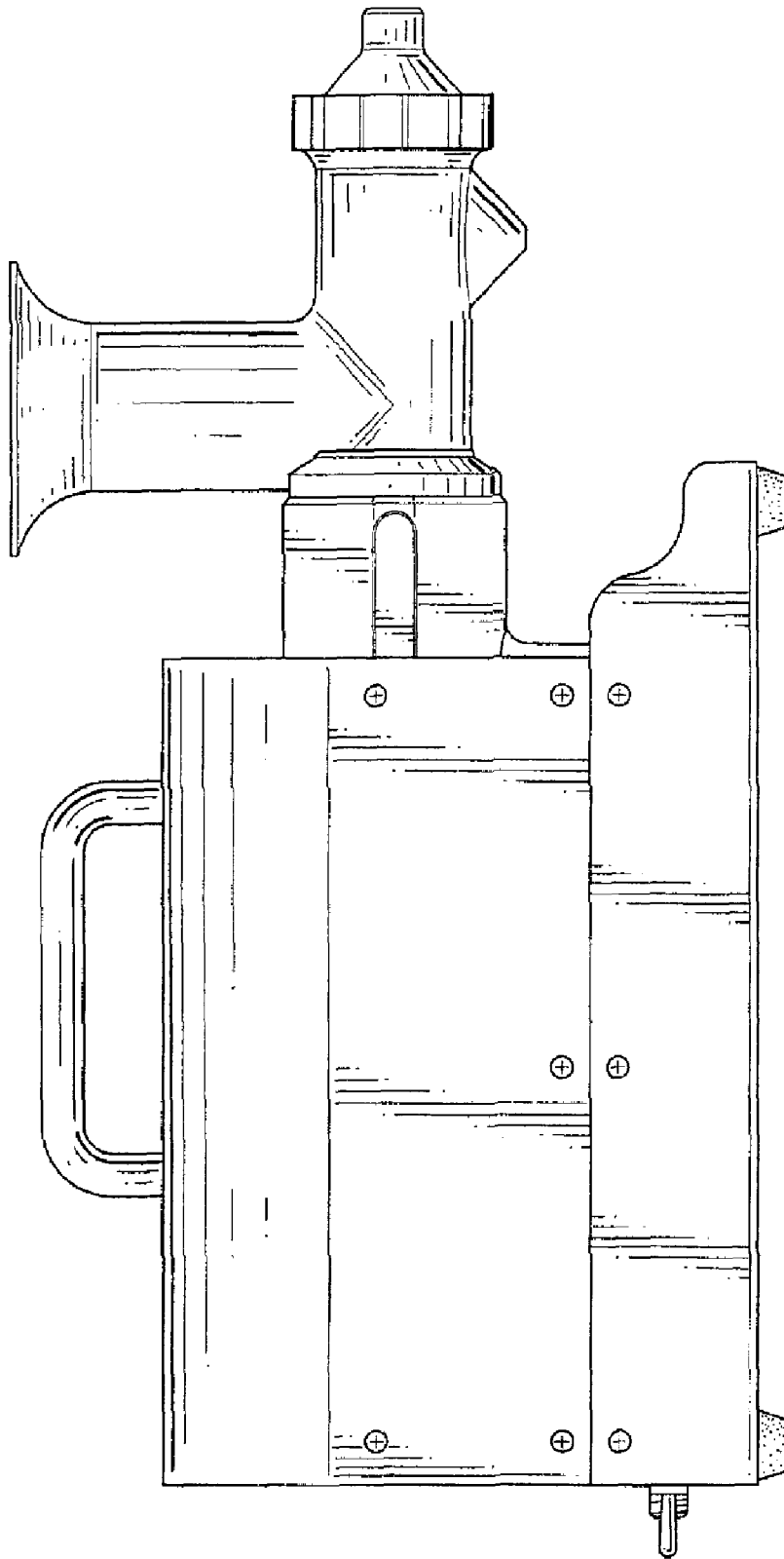


FIG.3

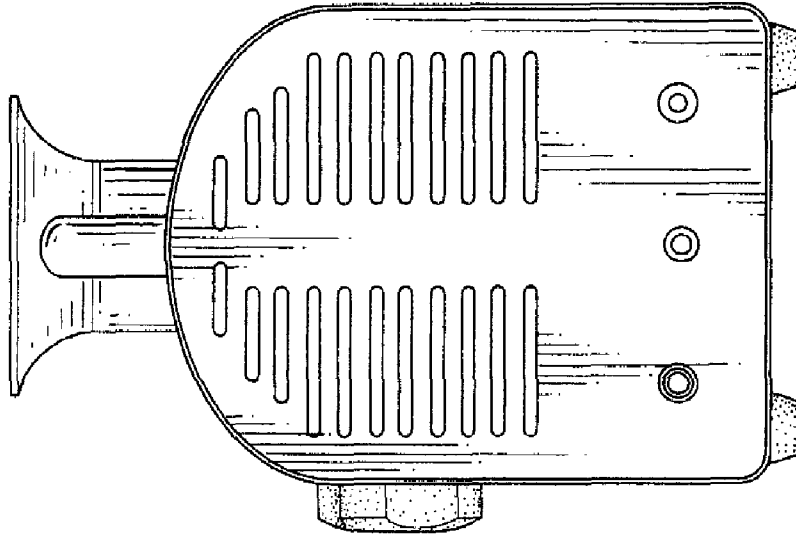


FIG.5

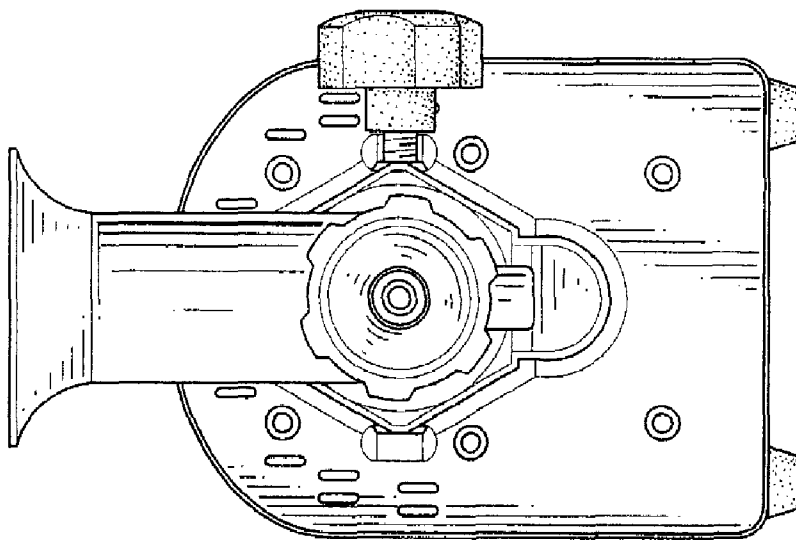


FIG.4

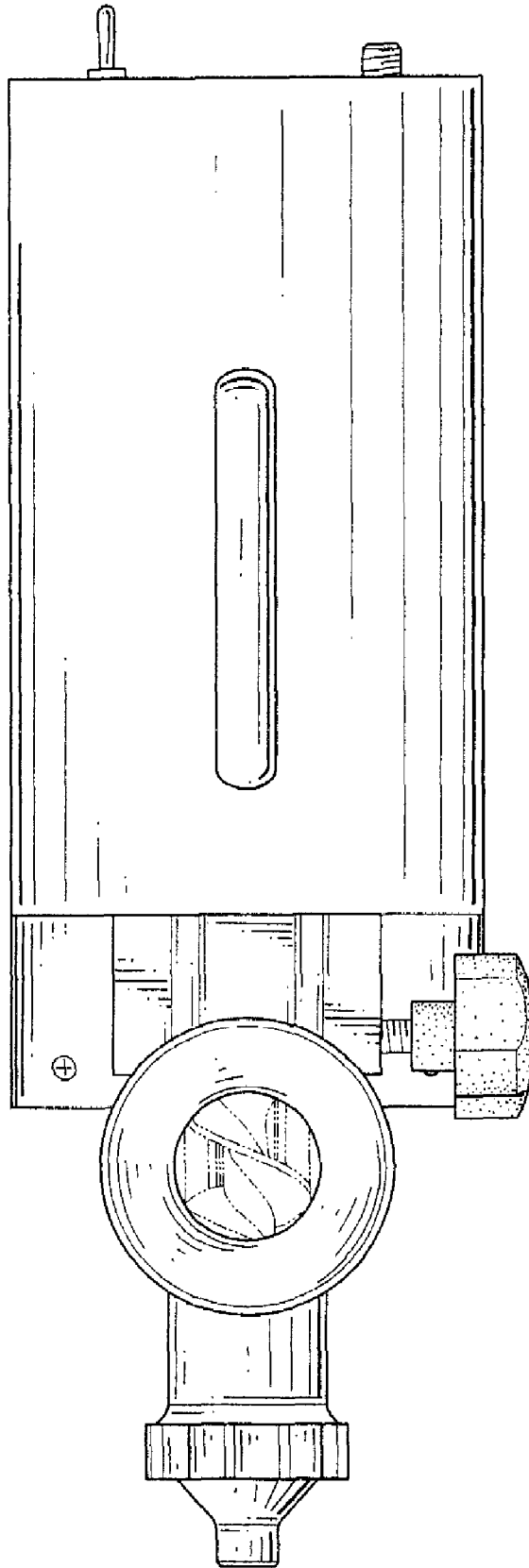


FIG.6

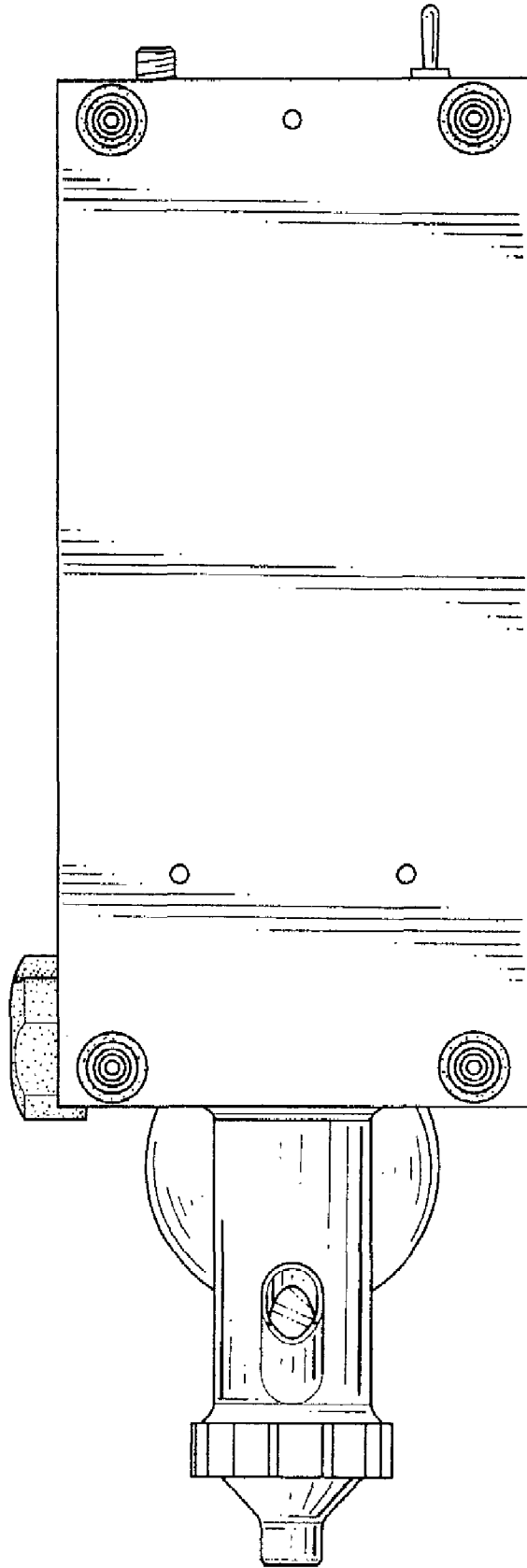


FIG. 7