

(19) World Intellectual Property Organization
International Bureau



(43) International Publication Date
27 December 2007 (27.12.2007)

(10) International Publication Number
WO 2007/149168 A3

- (51) International Patent Classification:
G06F 12/00 (2006.01)
- (21) International Application Number:
PCT/US2007/011772
- (22) International Filing Date:
16 May 2007 (16.05.2007)
- (25) Filing Language: English
- (26) Publication Language: English
- (30) Priority Data:
11/454,686 16 June 2006 (16.06.2006) US
- (71) Applicant (for all designated States except US): MICROSOFT CORPORATION [US/US]; One Microsoft Way, Redmond, WA 98052-6399 (US).
- (72) Inventors: GATES, Matthijs, A.; One Microsoft Way, Redmond, 98052-6399 (US). RENERIS, Kenneth; One Microsoft Way, Redmond, WA 98052-6399 (US). SATHER, Dale; One Microsoft Way, Redmond, WA 98052-6399 (US).
- (81) Designated States (unless otherwise indicated, for every kind of national protection available): AE, AG, AL, AM, AT, AU, AZ, BA, BB, BG, BH, BR, BW, BY, BZ, CA, CH, CN, CO, CR, CU, CZ, DE, DK, DM, DZ, EC, EE, EG, ES, FI, GB, GD, GE, GH, GM, GT, HN, HR, HU,

ID, IL, IN, IS, JP, KE, KG, KM, KN, KP, KR, KZ, LA, LC, LK, LR, LS, LT, LU, LY, MA, MD, ME, MG, MK, MN, MW, MX, MY, MZ, NA, NG, NI, NO, NZ, OM, PG, PH, PL, PT, RO, RS, RU, SC, SD, SE, SG, SK, SL, SM, SV, SY, TJ, TM, TN, TR, TT, TZ, UA, UG, US, UZ, VC, VN, ZA, ZM, ZW.

(84) Designated States (unless otherwise indicated, for every kind of regional protection available): ARIPO (BW, GH, GM, KE, LS, MW, MZ, NA, SD, SL, SZ, TZ, UG, ZM, ZW), Eurasian (AM, AZ, BY, KG, KZ, MD, RU, TJ, TM), European (AT, BE, BG, CH, CY, CZ, DE, DK, EE, ES, FI, FR, GB, GR, HU, IE, IS, IT, LT, LU, LV, MC, MT, NL, PL, PT, RO, SE, SI, SK, TR), OAPI (BF, BJ, CF, CG, CI, CM, GA, GN, GQ, GW, ML, MR, NE, SN, TD, TG).

Declarations under Rule 4.17:

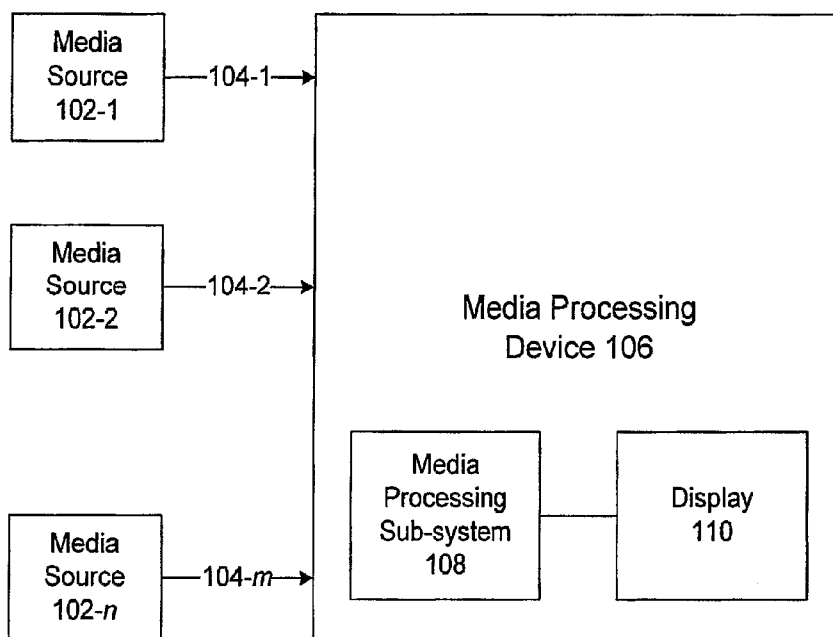
- as to applicant's entitlement to apply for and be granted a patent (Rule 4.17(ii))
- as to the applicant's entitlement to claim the priority of the earlier application (Rule 4.17(iii))

Published:

- with international search report (Art. 21(3))

(88) Date of publication of the international search report:
15 September 2011

(54) Title: TECHNIQUES TO MANAGE MEDIA FILES



(57) Abstract: Techniques to manage media files may be described. An apparatus may comprise a media processing sub-system having a processor, a memory, and a communications interface. The memory may store a media file manager for execution by the processor. The communications interface may receive multiple media streams of media information. The media file manager may store the multiple media streams in a single file using a hierarchy of name-value pairs. Other embodiments are described and claimed.

WO 2007/149168 A3

A. CLASSIFICATION OF SUBJECT MATTER**G06F 12/00(2006.01)i**

According to International Patent Classification (IPC) or to both national classification and IPC

B. FIELDS SEARCHED

Minimum documentation searched (classification system followed by classification symbols)

G06F 12/00; G02F 1/00; H04J 3/00; G06F 1/00; G09G 5/00

Documentation searched other than minimum documentation to the extent that such documents are included in the fields searched

Korean utility models and applications for utility models

Japanese utility models and applications for utility models

Electronic data base consulted during the international search (name of data base and, where practicable, search terms used)

eKOMPASS(KIPO internal) & Keywords: media stream, hierarchy, partition

C. DOCUMENTS CONSIDERED TO BE RELEVANT

Category*	Citation of document, with indication, where appropriate, of the relevant passages	Relevant to claim No.
X	US 05185736A A (RAYMOND E. TYRRELL et al.) 09 February 1993 See column 1, line 24 - column 181, line 10.	1-20
A	US 2003-0222901 A1 (TODD HOUCK, JOHN A. ALDEN) 04 December 2003 See [0035] - [0089].	1-20
A	EP 1643340 A2 (INTERTRUST TECHNOLOGIES CORP.) 05 April 2006 See page 6, line 3 - page 244, line 35.	1-20

 Further documents are listed in the continuation of Box C. See patent family annex.

* Special categories of cited documents:

"A" document defining the general state of the art which is not considered to be of particular relevance

"E" earlier application or patent but published on or after the international filing date

"L" document which may throw doubts on priority claim(s) or which is cited to establish the publication date of citation or other special reason (as specified)

"O" document referring to an oral disclosure, use, exhibition or other means

"P" document published prior to the international filing date but later than the priority date claimed

"T" later document published after the international filing date or priority date and not in conflict with the application but cited to understand the principle or theory underlying the invention

"X" document of particular relevance; the claimed invention cannot be considered novel or cannot be considered to involve an inventive step when the document is taken alone

"Y" document of particular relevance; the claimed invention cannot be considered to involve an inventive step when the document is combined with one or more other such documents, such combination being obvious to a person skilled in the art

"&" document member of the same patent family

Date of the actual completion of the international search

31 MAY 2011 (31.05.2011)

Date of mailing of the international search report

01 JUNE 2011 (01.06.2011)

Name and mailing address of the ISA/KR

Korean Intellectual Property Office
Government Complex-Daejeon, 189 Cheongsa-ro,
Seo-gu, Daejeon 302-701, Republic of Korea

Facsimile No. 82-42-472-7140

Authorized officer

KWON, Oh Seong

Telephone No. 82-42-481-8526



INTERNATIONAL SEARCH REPORT

Information on patent family members

International application No.

PCT/US2007/011772

Patent document cited in search report	Publication date	Patent family member(s)	Publication date
US 05185736A A	09.02.1993	EP 0397197 A2	14.11.1990
		EP 0397197 A3	01.04.1992
		EP 0397197 B1	20.03.1996
US 2003-0222901 A1	04.12.2003	None	
EP 1643340 A2	05.04.2006	AT 412945 T	15.11.2008
		AT 419586 T	15.01.2009
		AT 441897 T	15.09.2009
		AU 1996-63266 B2	21.10.1999
		AU 1997-36816 B2	11.10.2001
		AU 1997-36840 B2	18.10.2001
		AU 6326696 A	18.09.1996
		AU 711733 B2	21.10.1999
		CA 2212574 A1	06.09.1996
		CA 2212574 C	02.02.2010
		CA 2265473 A1	05.03.1998
		CA 2265473 C	22.10.2002
		CA 2373508 A1	05.03.1998
		CA 2373508 C	10.04.2007
		CA 2373542 A1	05.03.1998
		CA 2373542 C	12.11.2002
		CA 2619600 A1	05.03.1998
		CA 2619962 A1	05.03.1998
		CA 2683230 A1	06.09.1996
		CN 100365535 C	30.01.2008
		CN 100452071 C	14.01.2009
		CN 100452072 C	14.01.2009
		CN 100501713 C	17.06.2009
		CN 100501754 C	17.06.2009
		CN 101303717 A	12.11.2008
		CN 101359350 A	04.02.2009
		CN 101398871 A	01.04.2009
		CN 1139067 C0	18.02.2004
		CN 1183841 A	03.06.1998
		CN 1225739 A0	11.08.1999
		CN 1276321 C	20.09.2006
		CN 1312549 C	25.04.2007
		CN 1577205 A	09.02.2005
CN 1601429 A	30.03.2005		
CN 1722049 A	18.01.2006		
CN 1869997 A	29.11.2006		
CN 1900942 A	24.01.2007		
CN 1900943 A	24.01.2007		
CN 1908921 A	07.02.2007		
CN 1908922 A	07.02.2007		
CN 1912885 A	14.02.2007		
CN 1912885 B	22.12.2010		
CN 1916878 A	21.02.2007		

INTERNATIONAL SEARCH REPORT

Information on patent family members

International application No.

PCT/US2007/011772

Patent document cited in search report	Publication date	Patent family member(s)	Publication date
		CN 1936912 A	28.03.2007
		DE 69637733 D1	11.12.2008
		DE 69637799 D1	12.02.2009
		DE 69638018 D1	15.10.2009
		EP 0861461 A2	11.05.2005
		EP 0861461 B1	29.10.2008
		EP 0898777 A2	01.06.2005
		EP 0898777 B1	11.04.2007
		EP 0922248 A1	13.07.2005
		EP 0974129 A1	26.01.2000
		EP 0974129 B1	16.08.2006
		EP 1431864 A2	23.06.2004
		EP 1431864 A3	16.02.2005
		EP 1431864 B1	31.12.2008
		EP 1515216 A2	16.03.2005
		EP 1515216 A3	23.03.2005
		EP 1526472 A2	27.04.2005
		EP 1526472 A3	26.07.2006
		EP 1531379 A2	18.05.2005
		EP 1531379 A3	22.02.2006
		EP 1531379 B1	02.09.2009
		EP 1555591 A2	20.07.2005
		EP 1555591 A3	23.11.2005
		EP 1621960 A2	01.02.2006
		EP 1621960 A3	10.01.2007
		EP 1621961 A2	01.02.2006
		EP 1621961 A3	21.01.2009
		EP 1640984 A2	29.03.2006
		EP 1640984 A3	25.02.2009
		EP 1643340 A3	31.05.2006
		EP 1662418 A2	31.05.2006
		EP 1662418 A3	26.07.2006
		EP 1796013 A2	13.06.2007
		EP 1796013 A3	04.02.2009
		EP 1796014 A2	13.06.2007
		EP 1798657 A2	20.06.2007
		EP 1914655 A2	23.04.2008
		EP 1923814 A2	21.05.2008
		EP 1923814 A3	25.06.2008
		EP 2015214 A2	14.01.2009
		EP 2015214 A3	16.12.2009
		EP 2110732 A2	21.10.2009
		EP 2110732 A3	09.12.2009
		HK 1073899 A1	07.12.2007
		HK 1085824 A1	28.11.2008
		HK 1099098 A1	18.09.2009
		HK 1099380 A1	09.04.2010
		HK 1102199 A1	18.09.2009
		JP 03-905489 B2	18.04.2007
		JP 03-950076 B2	25.07.2007

INTERNATIONAL SEARCH REPORT

Information on patent family members

International application No.

PCT/US2007/011772

Patent document cited in search report	Publication date	Patent family member(s)	Publication date
		JP 03-996532 B2	24. 10. 2007
		JP 04-005619 B2	07. 11. 2007
		JP 04-008937 B2	14. 11. 2007
		JP 04-008938 B2	14. 11. 2007
		JP 04-084392 B2	30. 04. 2008
		JP 04-128902 B2	30. 07. 2008
		JP 04-191710 B2	03. 12. 2008
		JP 04-237802 B2	11. 03. 2009
		JP 04-272192 B2	06. 03. 2009
		JP 04-643398 B2	10. 12. 2010
		JP 10-512074 A	17. 11. 1998
		JP 2000-516743 A	12. 12. 2000
		JP 2001-501763 A	06. 02. 2001
		JP 2004-005558 A	08. 01. 2004
		JP 2004-005601 A	08. 01. 2004
		JP 2004-005614 A	08. 01. 2004
		JP 2004-005625 A	08. 01. 2004
		JP 2004-005629 A	08. 01. 2004
		JP 2004-030600 A	29. 01. 2004
		JP 2004-139550 A	13. 05. 2004
		JP 2004-265358 A	24. 09. 2004
		JP 2005-222556 A	18. 08. 2005
		JP 2005-222557 A	18. 08. 2005
		JP 2005-243014 A	08. 09. 2005
		JP 2006-048716 A	16. 02. 2006
		JP 2006-053939 A	23. 02. 2006
		JP 2006-053940 A	23. 02. 2006
		JP 2006-073004 A	16. 03. 2006
		JP 2006-073005 A	16. 03. 2006
		JP 2006-079622 A	23. 03. 2006
		JP 2006-085691 A	30. 03. 2006
		JP 2006-085692 A	30. 03. 2006
		JP 2006-085693 A	30. 03. 2006
		JP 2006-209803 A	10. 08. 2006
		JP 2006-209804 A	10. 08. 2006
		JP 2006-260587 A	28. 09. 2006
		JP 2006-268867 A	05. 10. 2006
		JP 2007-183982 A	19. 07. 2007
		JP 2007-220131 A	30. 08. 2007
		JP 2008-065858 A	21. 03. 2008
		JP 2008-077679 A	03. 04. 2008
		JP 2008-090858 A	17. 04. 2008
		JP 2008-097645 A	24. 04. 2008
		JP 2008-123532 A	29. 05. 2008
		JP 2008-159072 A	10. 07. 2008
		JP 2008-159072 A	10. 07. 2008
		JP 2008-243228 A	09. 10. 2008
		JP 2008-257743 A	23. 10. 2008
		JP 2008-287729 A	27. 11. 2008
		JP 2009-080830 A	16. 04. 2009

INTERNATIONAL SEARCH REPORT

Information on patent family members

International application No.

PCT/US2007/011772

Patent document cited in search report	Publication date	Patent family member(s)	Publication date
		JP 2009-080831 A	16.04.2009
		JP 2009-134726 A	18.06.2009
		JP 2009-157932 A	16.07.2009
		JP 2010-055624 A	11.03.2010
		JP 2010-061668 A	18.03.2010
		JP 2010-218575 A	30.09.2010
		JP 2010-218576 A	30.09.2010
		JP 4272192 B2	03.06.2009
		US 05910987A A	08.06.1999
		US 05915019A A	22.06.1999
		US 05917912A A	29.06.1999
		US 05949876A A	07.09.1999
		US 05982891A A	09.11.1999
		US 6427140 B1	30.07.2002
		US 6449367 B2	10.09.2002